

US00D383889S

**United States Patent** [19]  
**Gallegos**

[11] **Patent Number: Des. 383,889**  
[45] **Date of Patent: \*\*Sep. 23, 1997**

[54] **ENSEMBLE COMPRISED OF SHORTS,  
BELT, POUCH, BOTTLE AND NET BAG**

[76] Inventor: **Steven Gallegos**, 6962 Cumberland Dr.,  
Huntington Beach, Calif. 92647-2709

[\*\*] Term: **14 Years**

[21] Appl. No.: **47,506**

[22] Filed: **Dec. 6, 1995**

**Related U.S. Application Data**

[63] Continuation-in-part of Ser. No. 25,457, Jul. 1, 1994, abandoned.

[51] **LOC (6) Cl.** ..... **02-02**

[52] **U.S. Cl.** ..... **D2/738; D2/742**

[58] **Field of Search** ..... **D2/712, 713, 714,  
D2/715, 716, 731, 732, 733, 738, 742,  
743, 627, 402, 227, 220; D3/218, 221,  
226**

[56] **References Cited**

**U.S. PATENT DOCUMENTS**

D. 298,380	11/1988	Clutts, Sr.	.....	D2/743
D. 339,902	10/1993	Doherty	.....	D2/738
D. 348,973	7/1994	Stewart et al.	.....	D2/738
D. 350,845	9/1994	Mahan	.....	D2/742
D. 352,814	11/1994	Sherman	.....	D2/731
D. 353,254	12/1994	Welch	.....	D2/742
1,071,483	8/1913	Vance	.....	D2/743
1,886,255	11/1932	Upland	.....	D2/738
4,776,800	10/1988	Anderson	.....	D2/713
4,961,223	10/1990	Black	.....	D2/738
4,999,845	3/1991	Jenks, Jr. et al.	.....	D2/732

*Primary Examiner*—Celia Murphy  
*Attorney, Agent, or Firm*—Daniel L. Dawes

[57] **CLAIM**

The ornamental design for an ensemble comprised of shorts, belt, pouch, bottle and net bag, as shown and described.

**DESCRIPTION**

FIG. 1 is a front perspective view of an ensemble comprised

of shorts, belt, pouch, bottle and net bag showing my new design with the side pocket shown open, the belt, pouch, bottle and bag being removed, and the broken lines showing a key, key ring, and currency in FIGS. 1, 2, 7, 11, and 12 being for illustrative purposes only, forming no part of the claimed design;

FIG. 2 is a rear perspective view thereof;

FIG. 3 is a left side elevational view thereof;

FIG. 4 is a right side elevational view thereof, the side pocket shown partially closed;

FIG. 5 is a left perspective view of the bottle, bag and belt portion of the claimed design shown in FIG. 11;

FIG. 6 is a right perspective view of FIG. 5;

FIG. 7 is a front elevational view of FIG. 5, the pouch shown open;

FIG. 8 is a rear elevational view of FIG. 5;

FIG. 9 is a top plan view of FIG. 5;

FIG. 10 is a bottom plan view of FIG. 5;

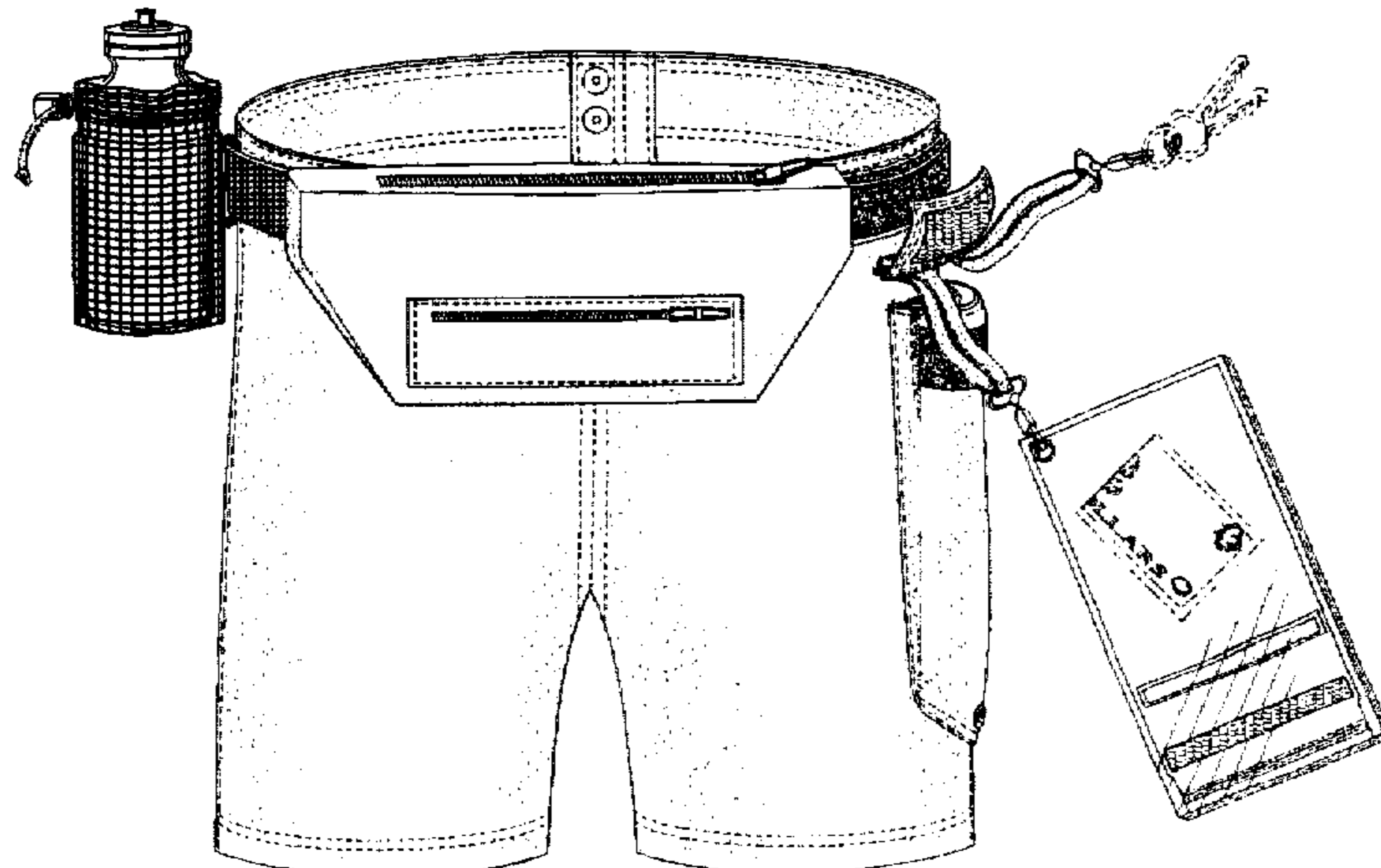
FIG. 11 is a front perspective view of an ensemble comprised of shorts, belt, pouch, bottle and net bag showing my new design;

FIG. 12 is a reduced front perspective view of FIG. 1 in the condition of use; the broken lines showing a human form in FIG. 12 and 13 being for illustrative purposes only and forming no part of the claimed design; and,

FIG. 13 is a reduced front perspective view of FIG. 7, the pouch shown in a closed position.

The broken lines shown on the claimed design in FIGS. 1-7, 9, and 11-13 are understood to represent conventional stitching.

**1 Claim, 9 Drawing Sheets**



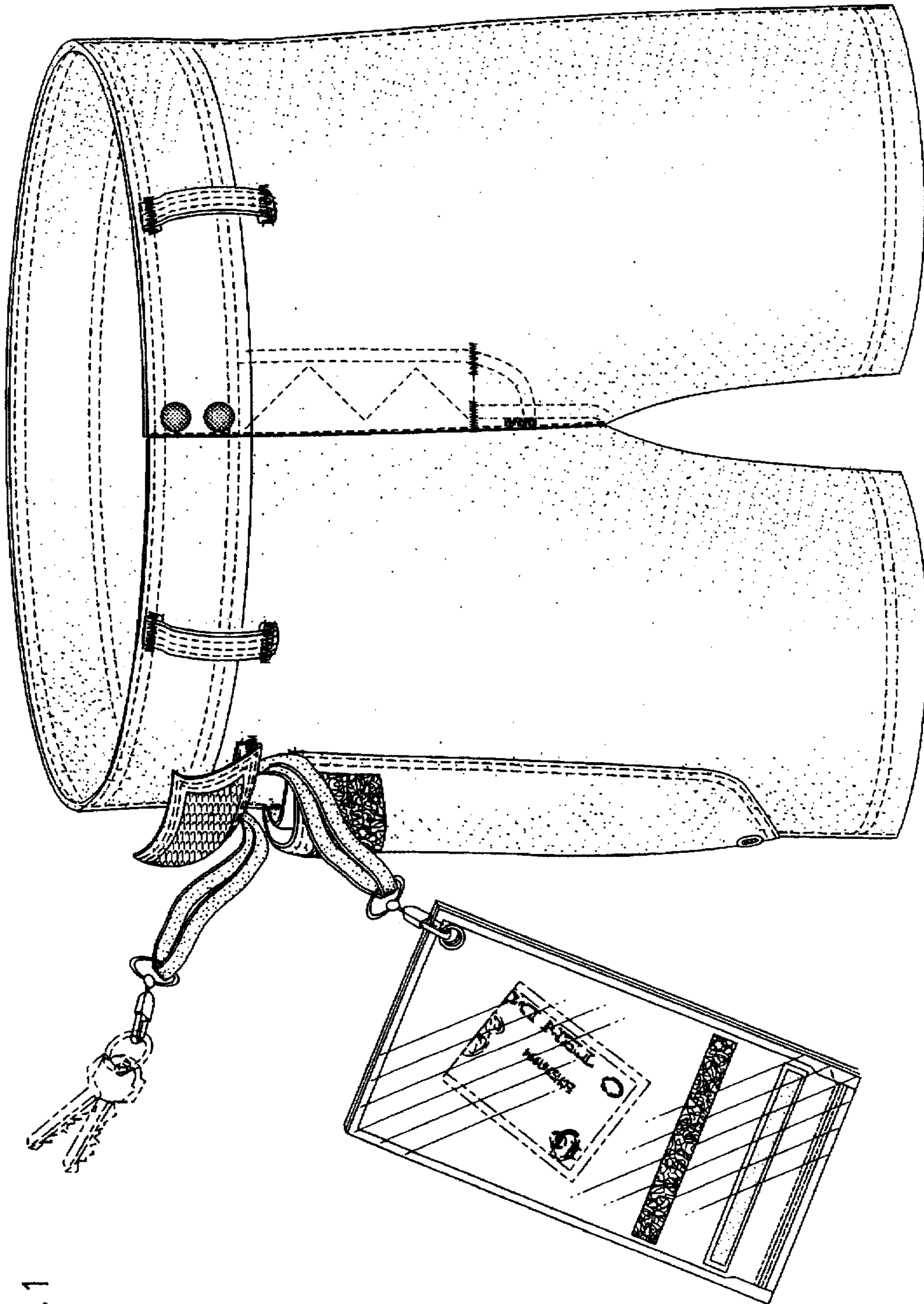


FIG. 1

FIG. 2

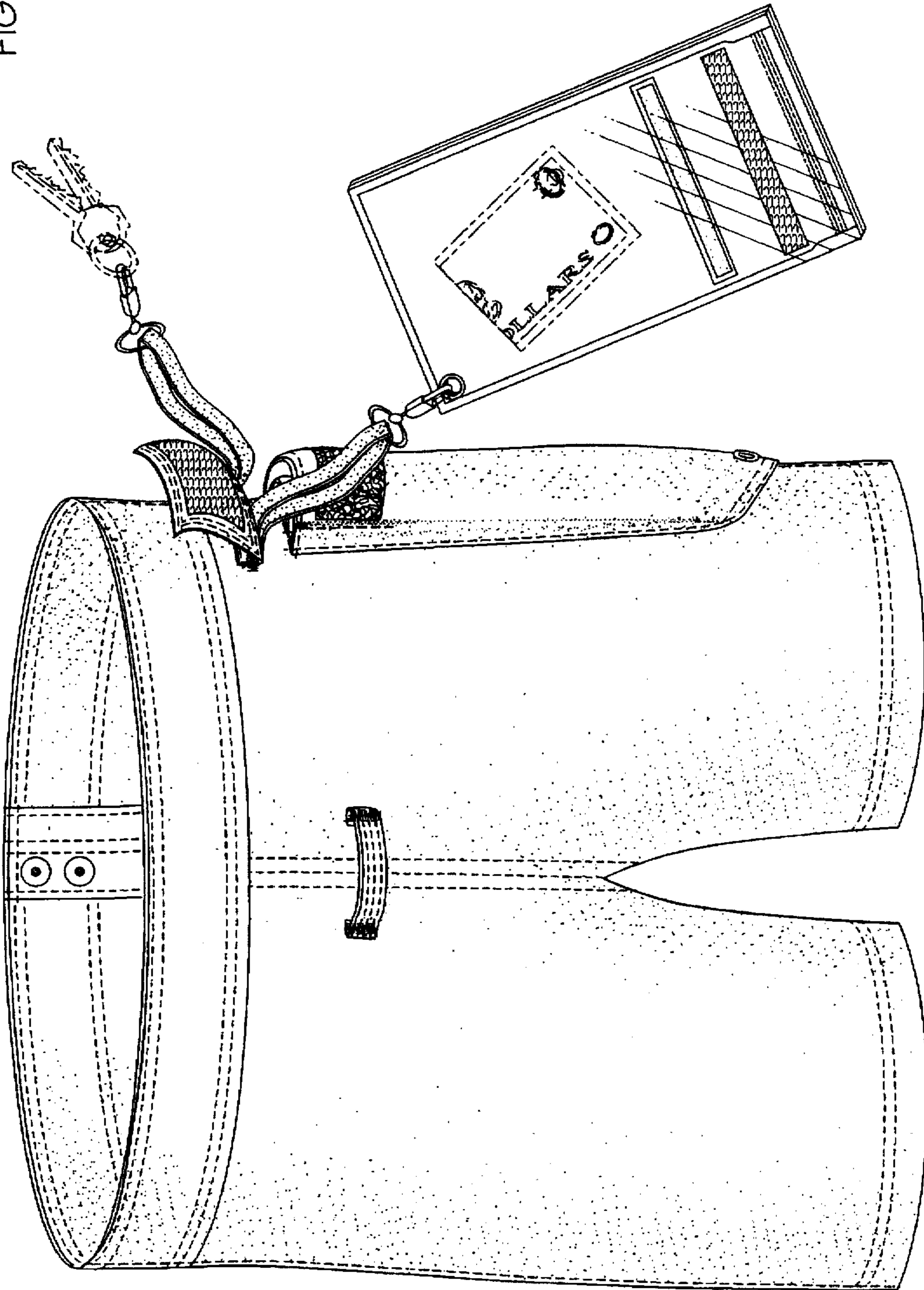


FIG. 5

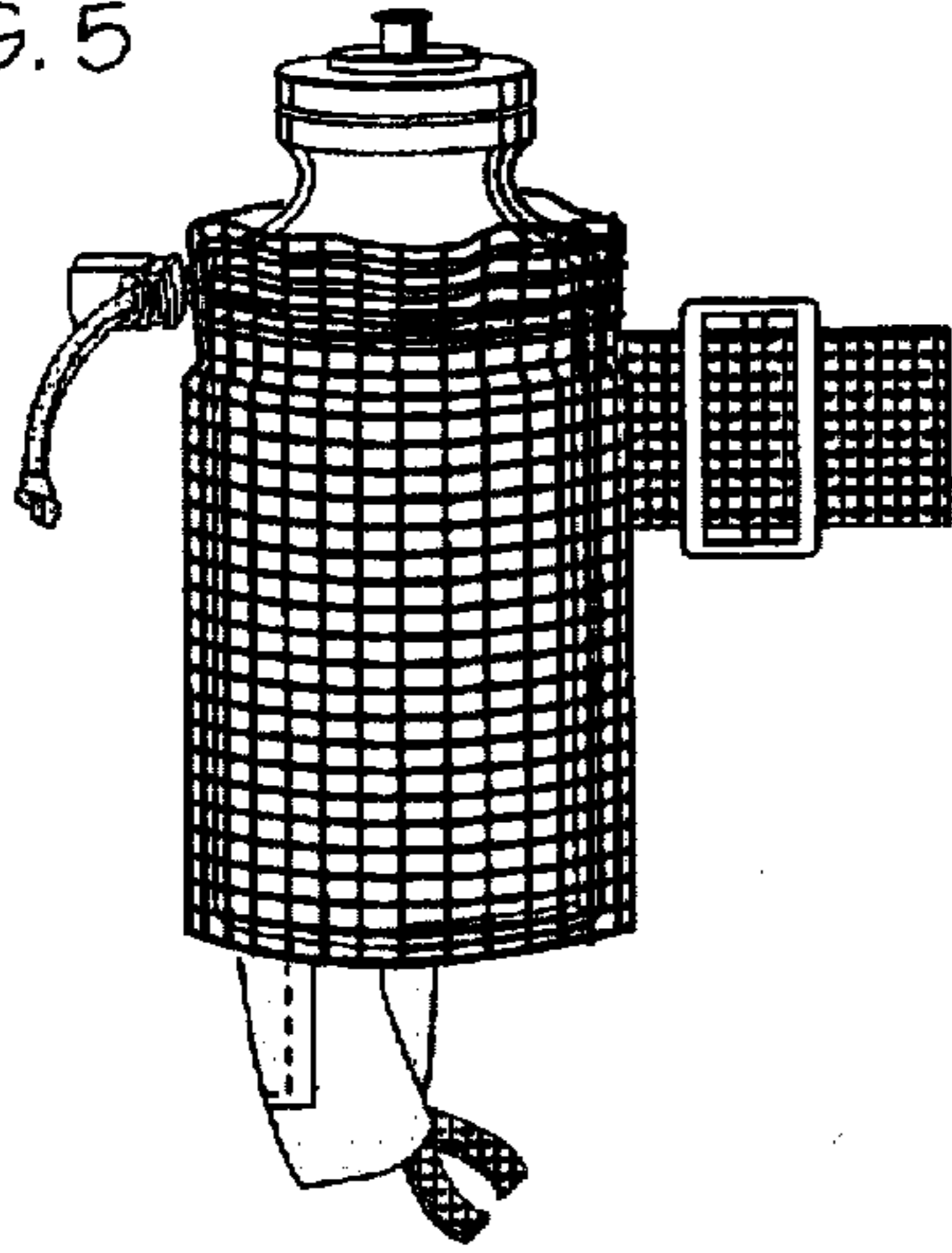


FIG. 6

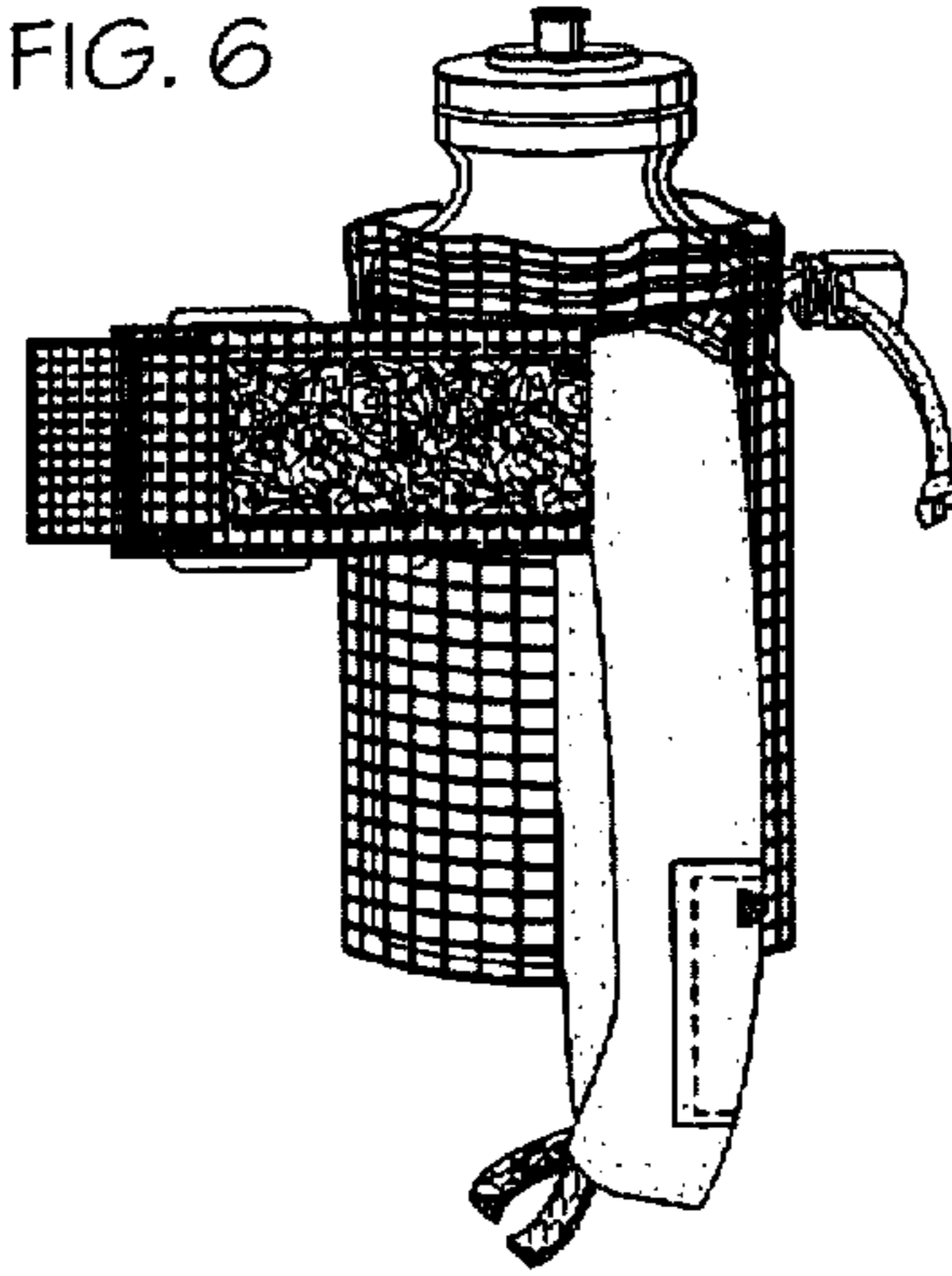


FIG. 3

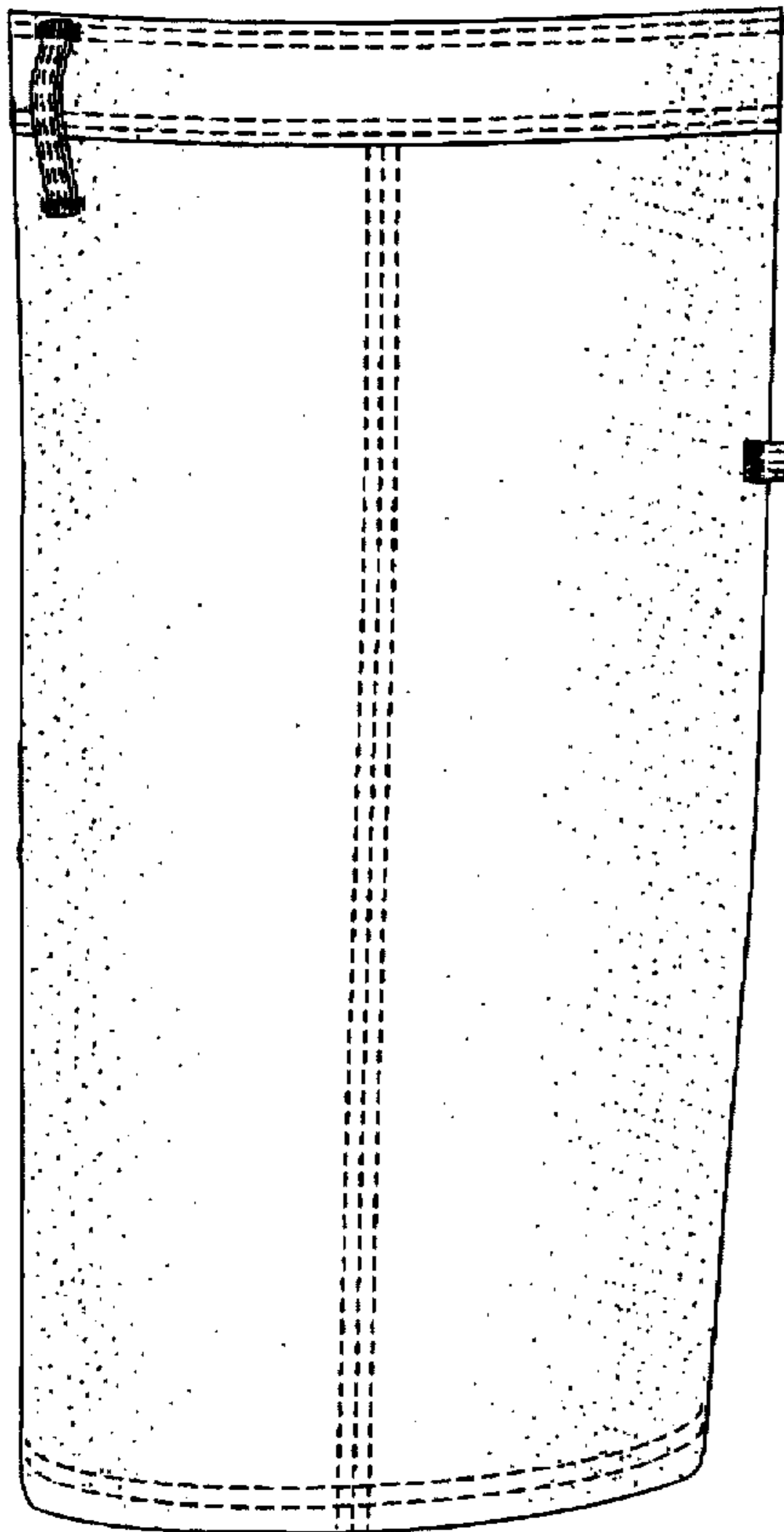
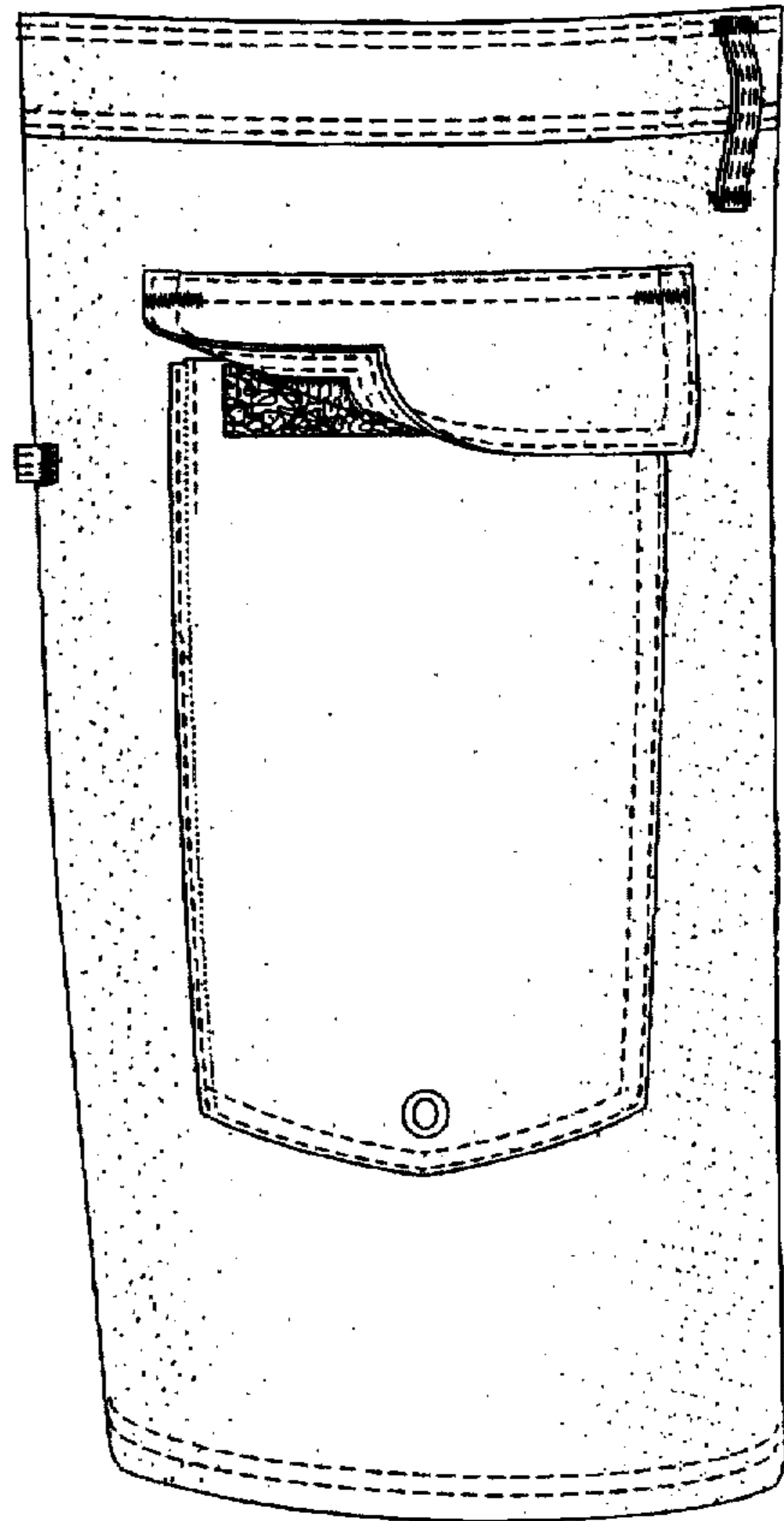


FIG. 4



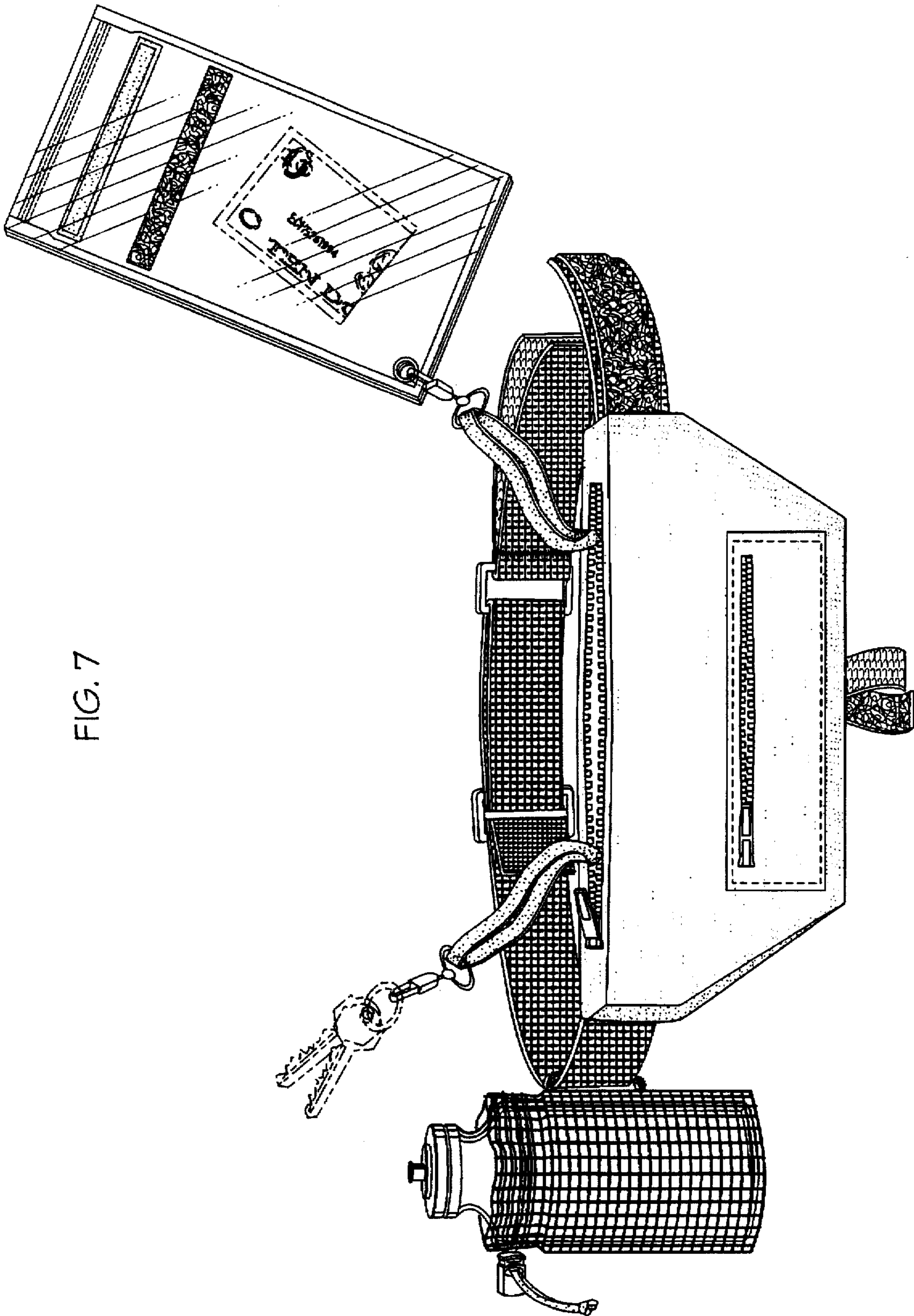


FIG. 7

FIG. 8

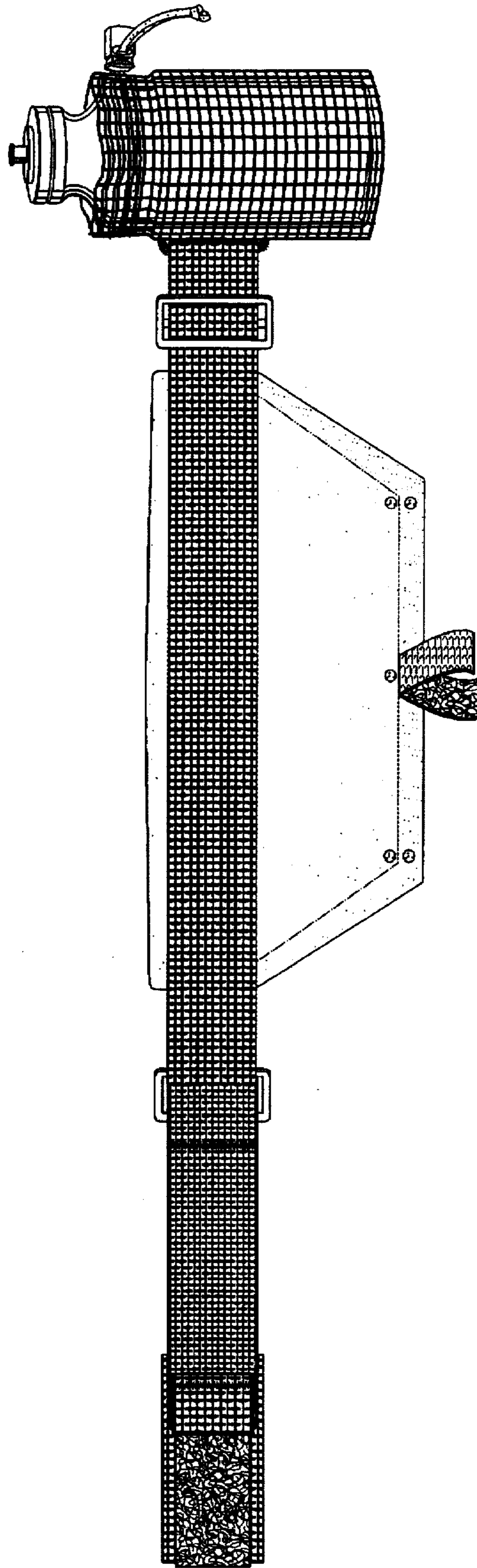


FIG. 9

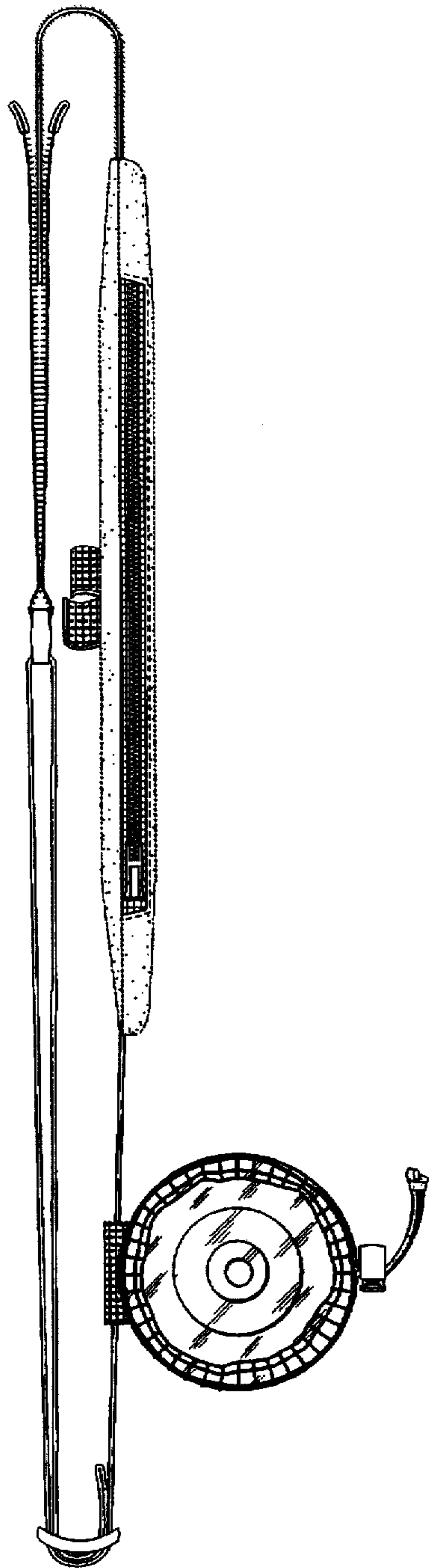


FIG. 10

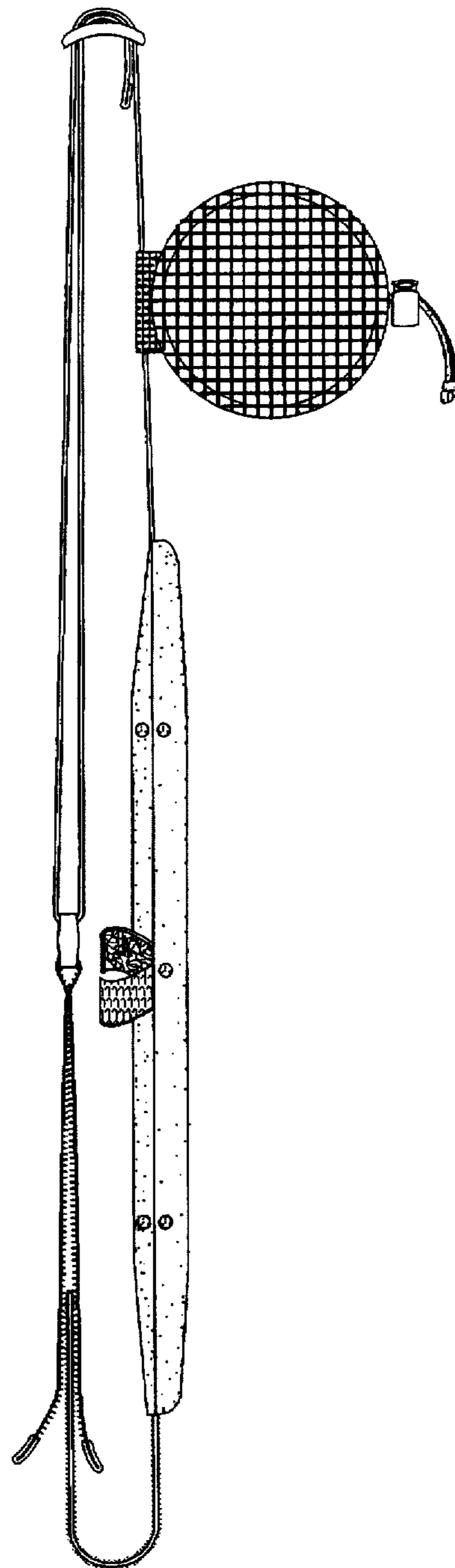


FIG. 11

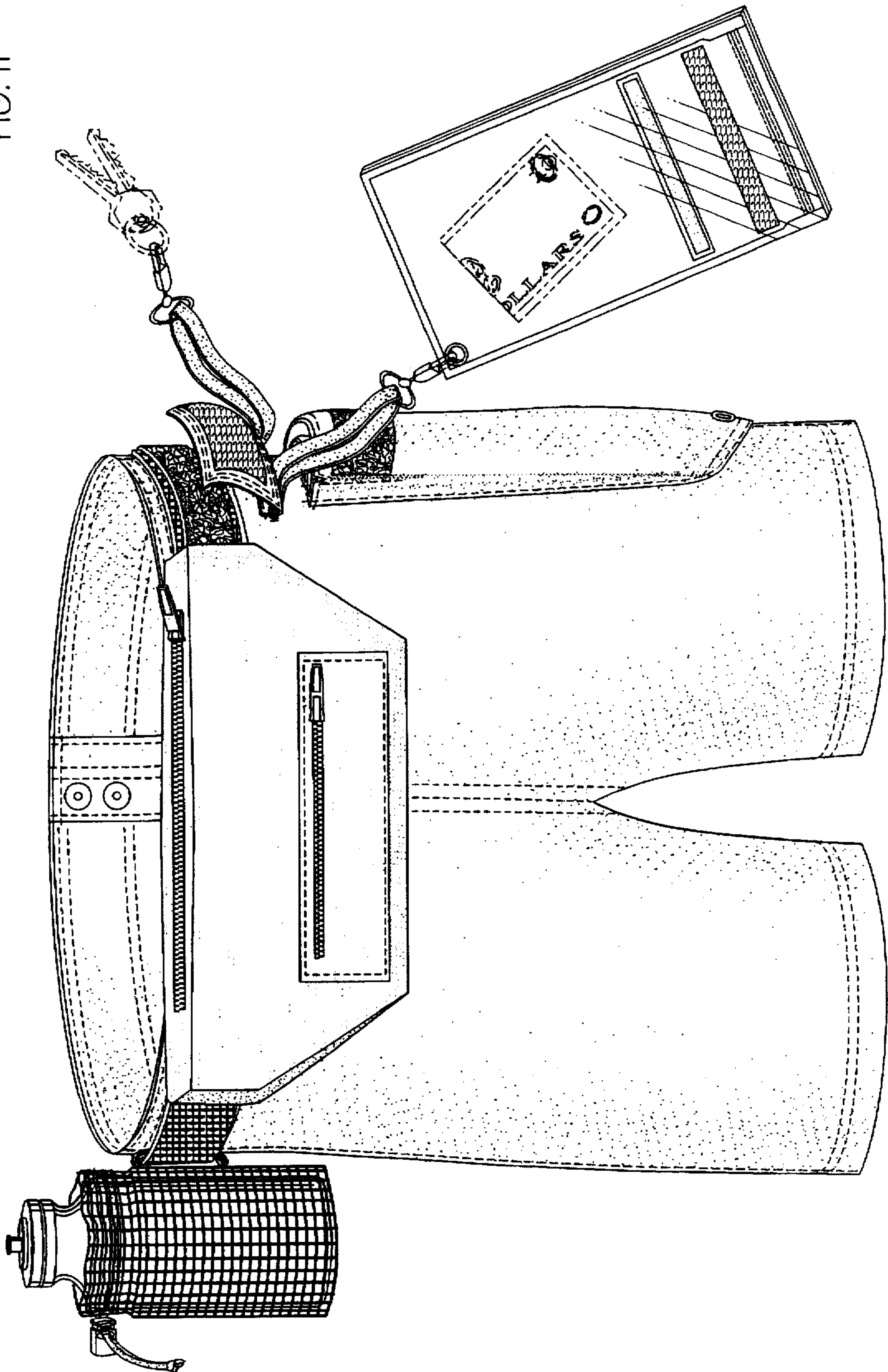




FIG. 12

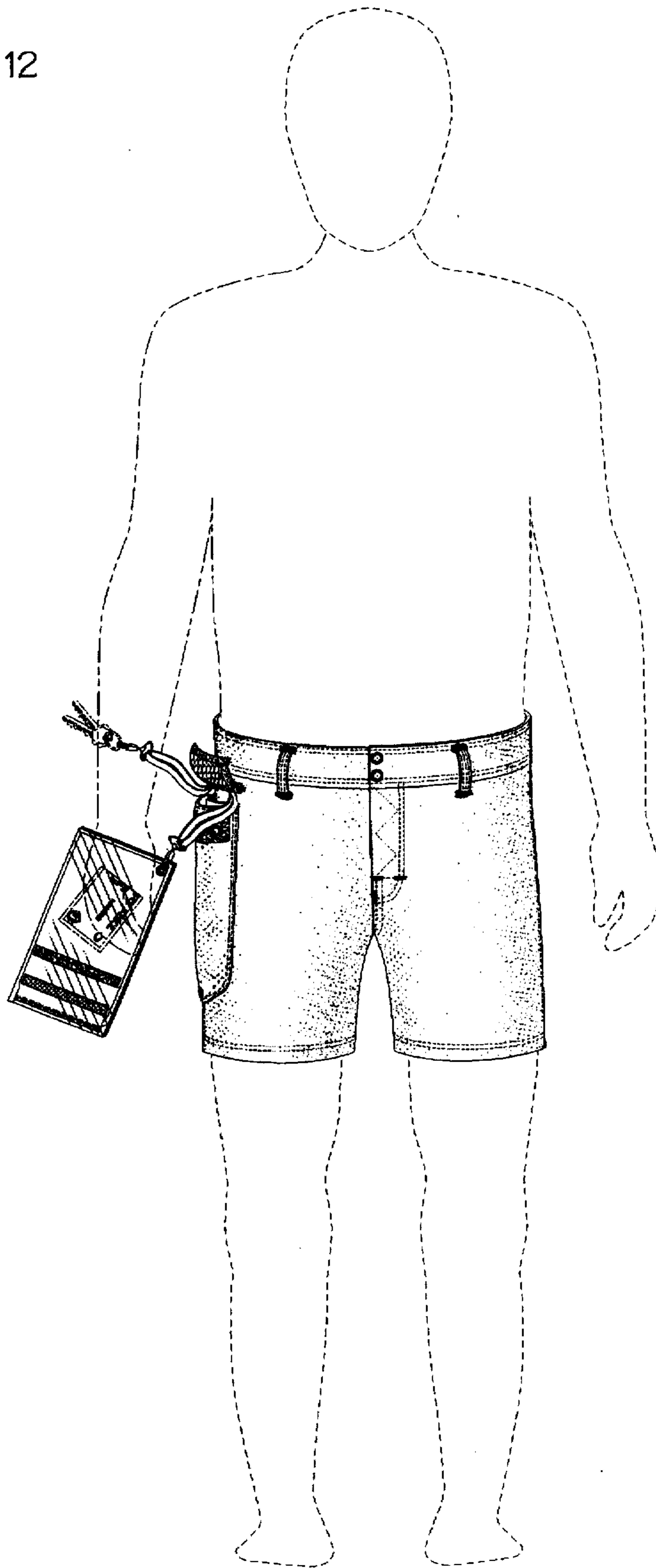


FIG. 13

