



US00D383883S

# United States Patent [19]

[11] Patent Number: **Des. 383,883**

Langley

[45] Date of Patent: **\*\*Sep. 16, 1997**

## [54] LAWNMOWER WASHING TOOL

[76] Inventor: **Gary T. Langley**, R.R. 3, Box 310B,  
Rocky Mount, N.C. 27804

[\*\*] Term: **14 Years**

[21] Appl. No.: **53,062**

[22] Filed: **Apr. 16, 1996**

[51] LOC (6) Cl. .... **08-99**

[52] U.S. Cl. .... **D23/214; D23/214**

[58] Field of Search ..... **D23/213, 214-224,  
D23/228-230; D8/14; D32/35; 239/230-231,  
232, 233, 394, 373, 415, 414**

## [56] References Cited

### U.S. PATENT DOCUMENTS

D. 30,185	2/1899	Kelly	.....	D23/213
D. 35,074	9/1901	Hull	.....	D23/214
D. 280,144	8/1985	Cooney	.....	D32/35
D. 303,913	10/1989	Leap	.....	D23/214 X
D. 357,972	5/1995	Huen	.....	D23/223
1,989,525	1/1935	Moore	.....	D23/215 X

## OTHER PUBLICATIONS

Scovill Manufacturing Co. Catalogue, p. 10, Ring shaped  
sprinkler, Oct. 1939.

*Primary Examiner*—Susan J. Lucas  
*Assistant Examiner*—Cynthia E. Ramiz  
*Attorney, Agent, or Firm*—Harold H. Dutton, Jr.; Diane F.  
Liebman

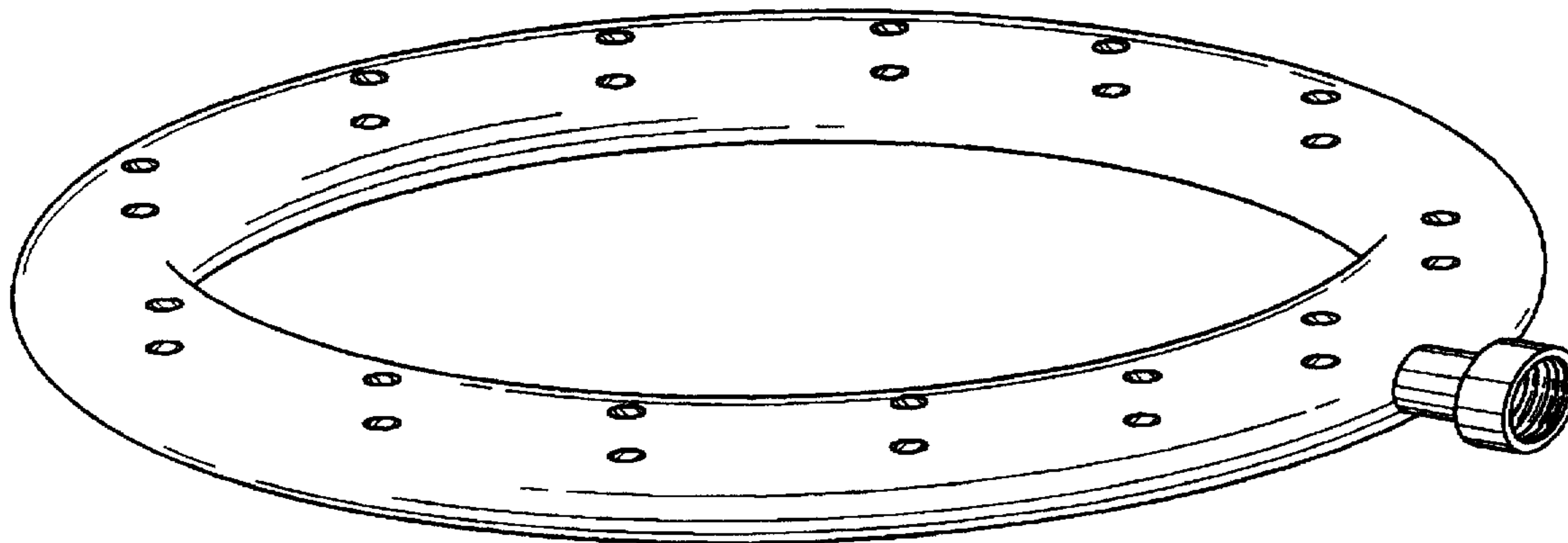
## [57] CLAIM

The ornamental design for a lawnmower washing tool, as  
shown.

## DESCRIPTION

FIG. 1 is a perspective view of a lawnmower washing tool  
showing my new design;  
FIG. 2 is a top view thereof;  
FIG. 3 is a bottom view thereof;  
FIG. 4 is a front view thereof;  
FIG. 5 is a rear view thereof;  
FIG. 6 is a right side view thereof; and,  
FIG. 7 is a left side view thereof.

**1 Claim, 5 Drawing Sheets**



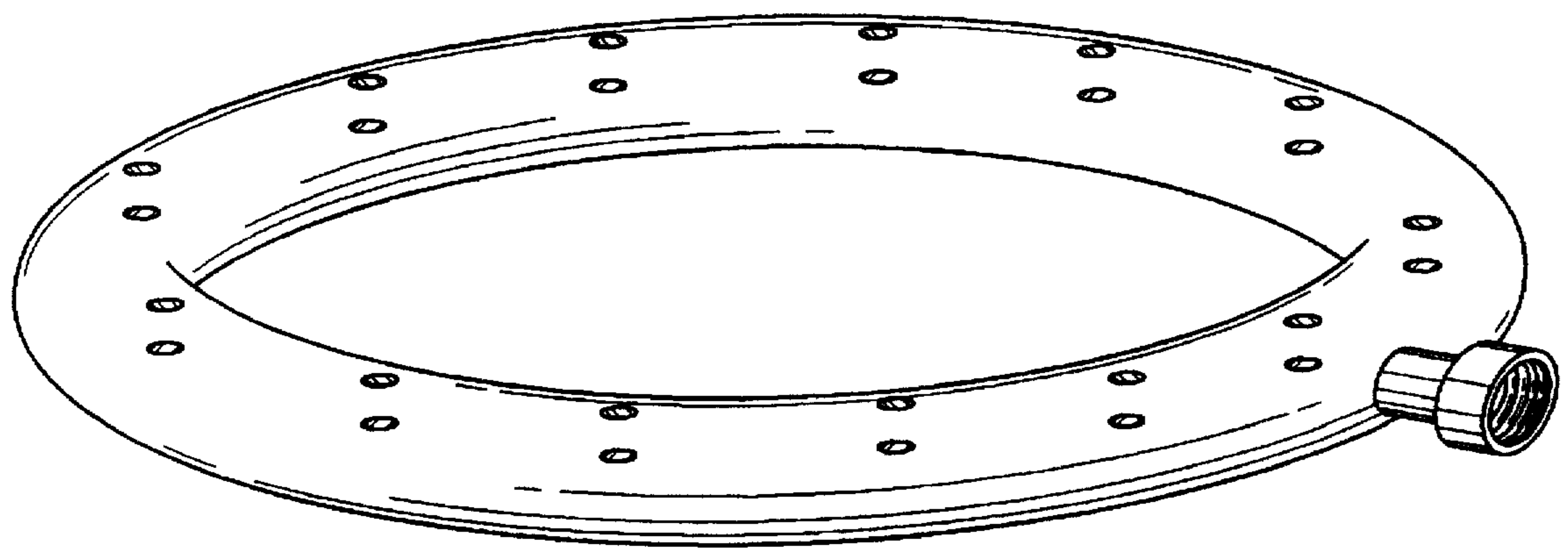


FIG. 1

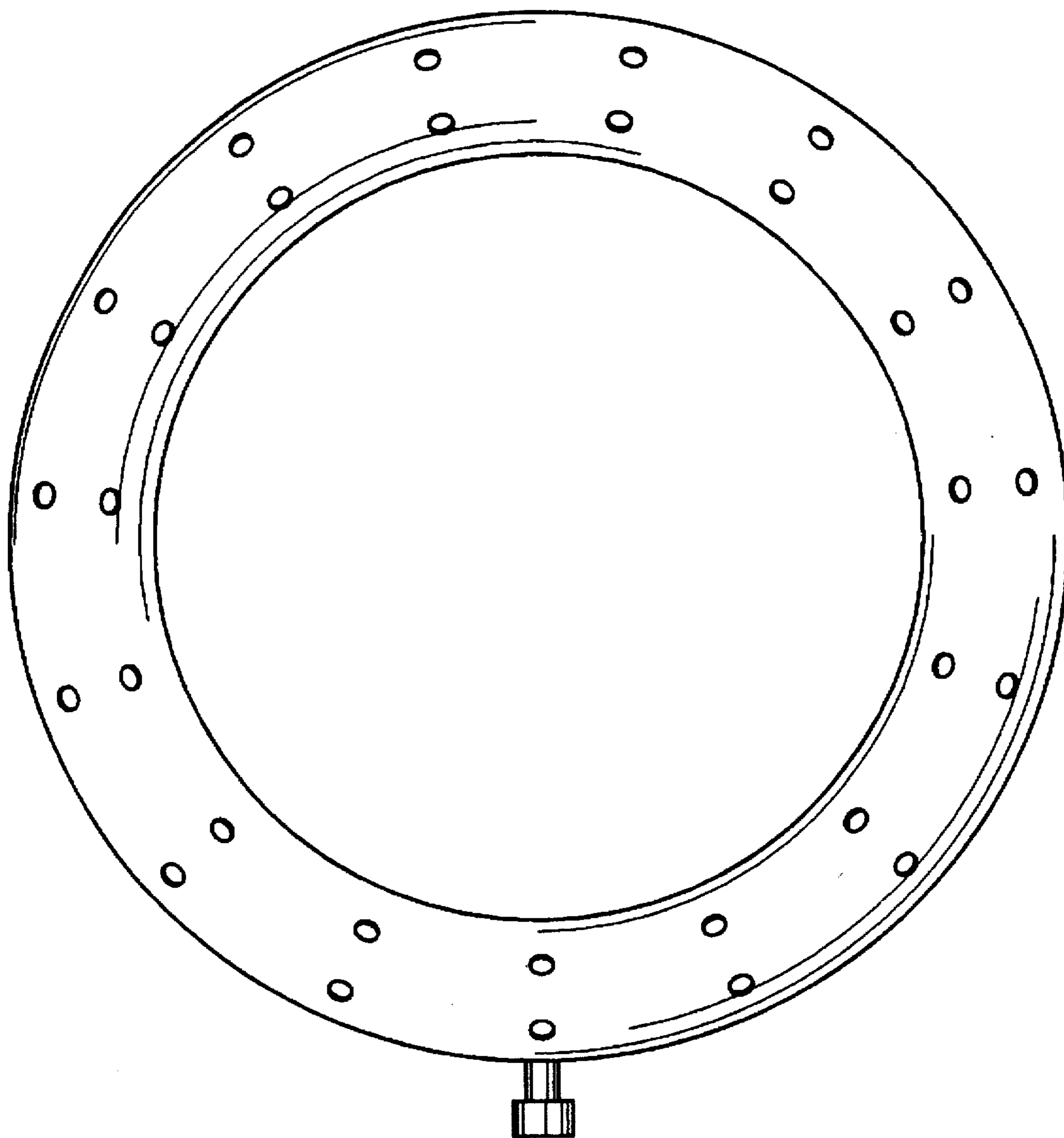


FIG. 2

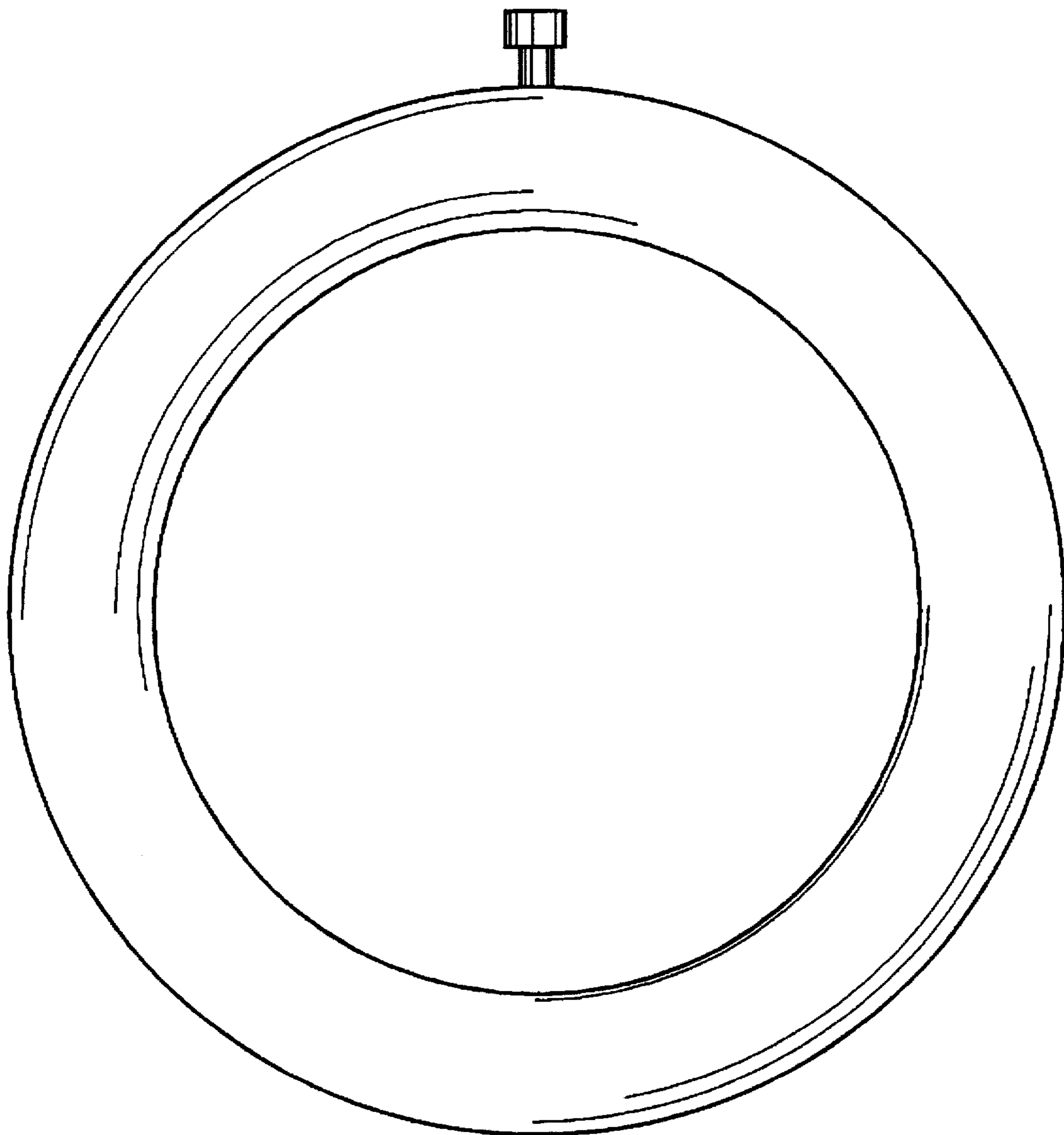


FIG. 3

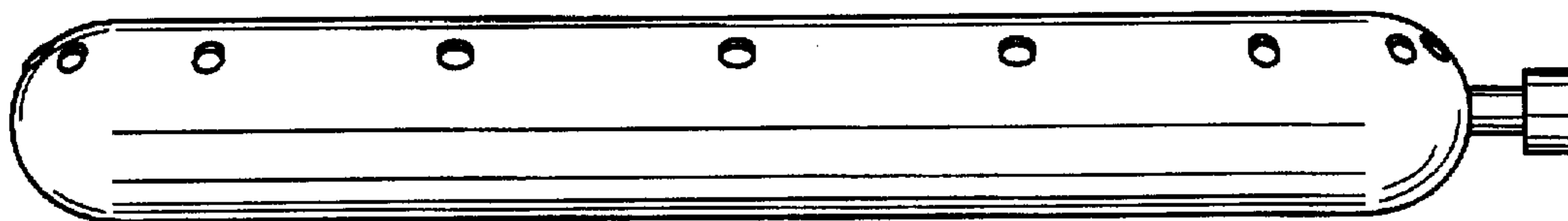


FIG. 4

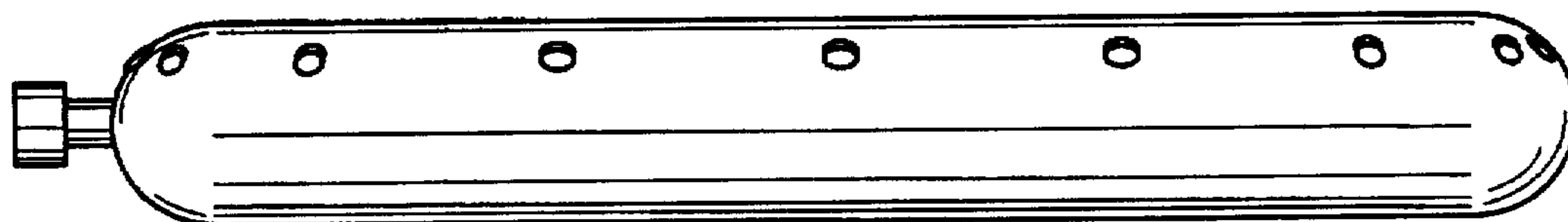


FIG. 5

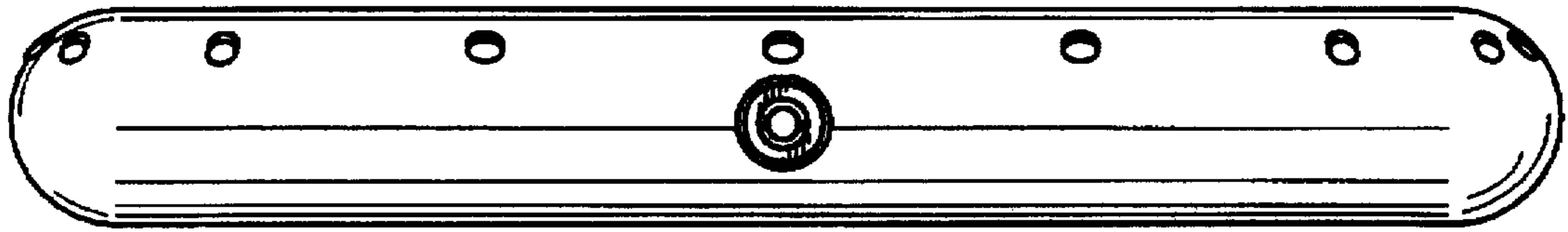


FIG. 6

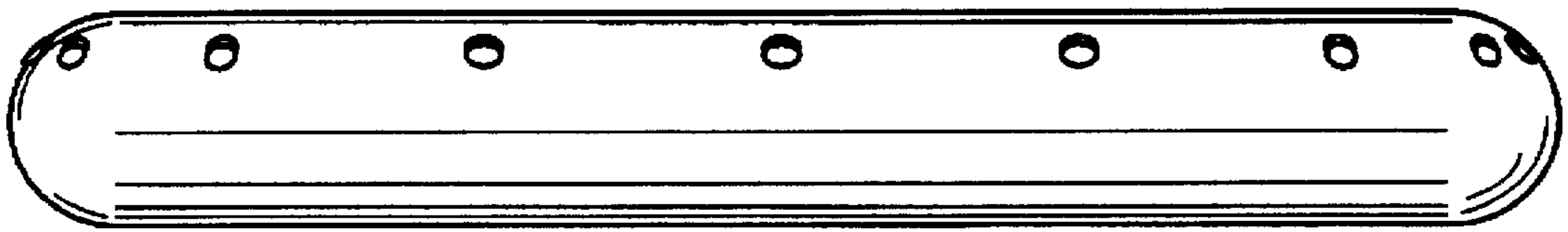


FIG. 7