



US00D383878S

# United States Patent [19]

[11] Patent Number: **Des. 383,878**

Merino et al.

[45] Date of Patent: **\*\*Sep. 16, 1997**

[54] **SEED FEEDER**

|           |        |                     |          |
|-----------|--------|---------------------|----------|
| 5,095,847 | 3/1992 | Coffer .....        | 119/57.8 |
| 5,533,467 | 7/1996 | Lancia .....        | 119/57.9 |
| 5,558,040 | 9/1996 | Calwell et al. .... | 119/52.2 |

[76] Inventors: **Dennis Merino**, 2873 King Edward Dr., El Dorado Hills, Calif. 95762; **Alfonso Merino**, 5800 Gondolier Dr., New Bern, N.C. 28560

[\*\*] Term: **14 Years**

### FOREIGN PATENT DOCUMENTS

|         |         |               |          |
|---------|---------|---------------|----------|
| 1047359 | 12/1953 | France .....  | 119/77   |
| 1180995 | 11/1964 | Germany ..... | 119/52.2 |
| 3149939 | 6/1983  | Germany ..... | 119/52.2 |

[21] Appl. No.: **50,864**

### OTHER PUBLICATIONS

[22] Filed: **Feb. 28, 1996**

Stewart's X-mas Catalog; 1956; p. 54; Bird Feeder; D30-124.

### Related U.S. Application Data

Miles Kimball Company Catalog; Autumn 1970; p. 180; #XL044; Colonial Bird Feeder.

[63] Continuation-in-part of Ser. No. 36,372, Mar. 20, 1995, abandoned.

Popular Mechanics, Dec. 1939; p. 952; Chicks Fountain.

[51] **LOC (6) Cl.** ..... **30-03**

Miles Kimball Company Catalog; Autumn 1970; p. 180; Sunflower Bird Feeder; #D1820.

[52] **U.S. Cl.** ..... **D30/124**

Droll Zankees Big Top Bird Feeder brochure.

[58] **Field of Search** ..... 119/52.2-52.3, 119/57.8-57.9, 77, 61; D30/124, 110-111, 125

*Primary Examiner*—Cathy Anne MacCormac  
*Attorney, Agent, or Firm*—Hovey, Williams, Timmons & Collins

[56] **References Cited**

[57] **CLAIM**

### U.S. PATENT DOCUMENTS

An ornamental design for a seed feeder, as shown and described.

|            |        |                   |          |
|------------|--------|-------------------|----------|
| D. 81,960  | 9/1930 | Dickson .....     | D30/124  |
| D. 165,628 | 1/1952 | Blazier .....     | D30/128  |
| D. 338,372 | 8/1993 | Geneste .....     | D30/131  |
| D. 338,422 | 8/1993 | Huang .....       | D30/125  |
| D. 343,030 | 1/1994 | Harwick, Jr. .... | D30/128  |
| 4,102,308  | 7/1978 | Kilham .....      | 119/52.3 |
| 4,207,839  | 6/1980 | Barry .....       | 119/57.9 |
| 4,327,669  | 5/1982 | Blasbalg .....    | 119/57.8 |
| 4,462,337  | 7/1984 | Kilham .....      | 119/57.9 |
| 4,798,172  | 1/1989 | Clarke .....      | 119/57.9 |
| 5,044,319  | 9/1991 | Blasbalg .....    | 119/57.9 |
| 5,086,730  | 2/1992 | Figley .....      | 119/52.3 |

### DESCRIPTION

**FIG. 1** is a right side elevation view of the seed feeder, illustrating the feeder in the use position;  
**FIG. 2** is a top view of the seed feeder;  
**FIG. 3** is a front elevation view of the seed feeder;  
**FIG. 4** is a rear elevation view of the seed feeder; and,  
**FIG. 5** is a bottom view of the seed feeder.

**1 Claim, 1 Drawing Sheet**

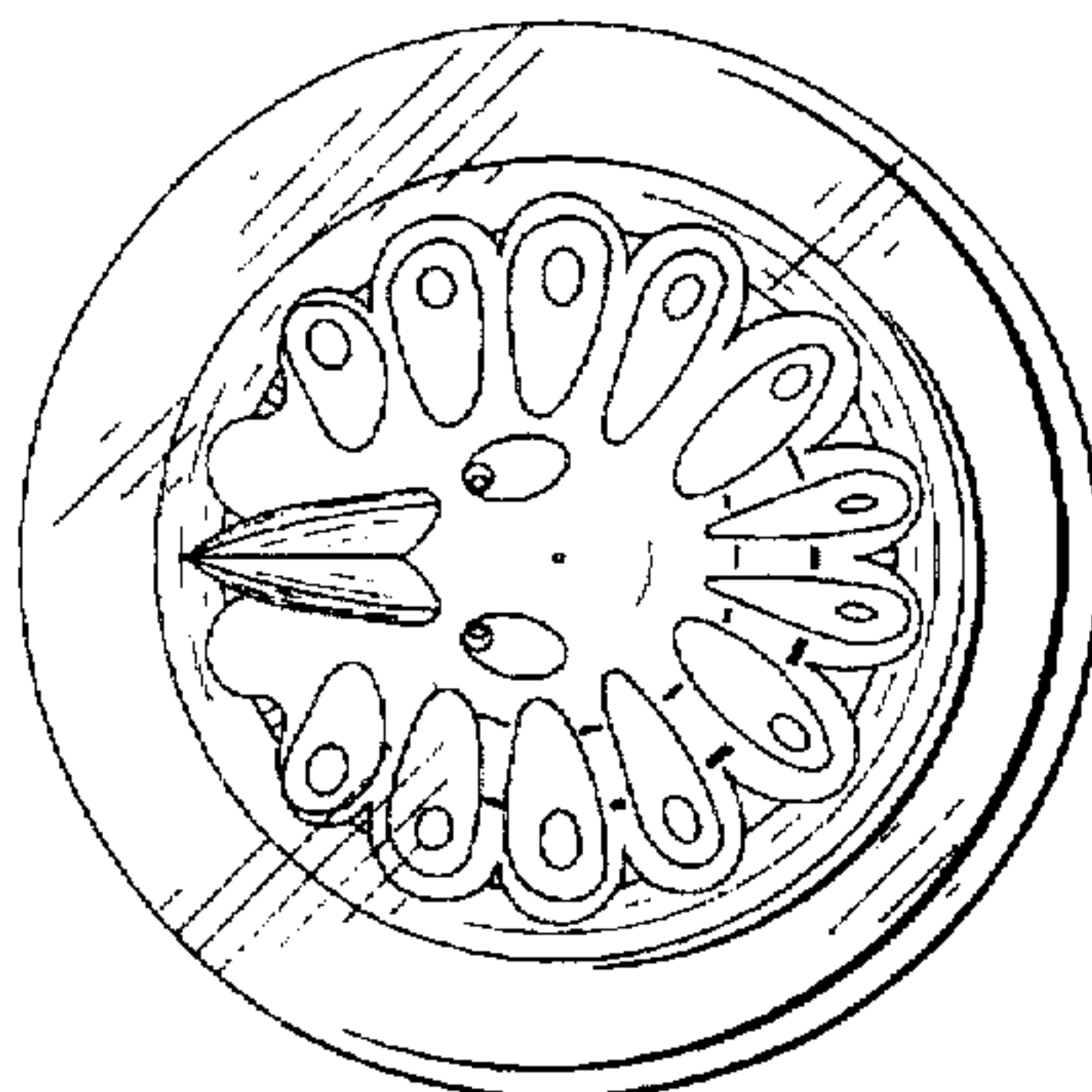
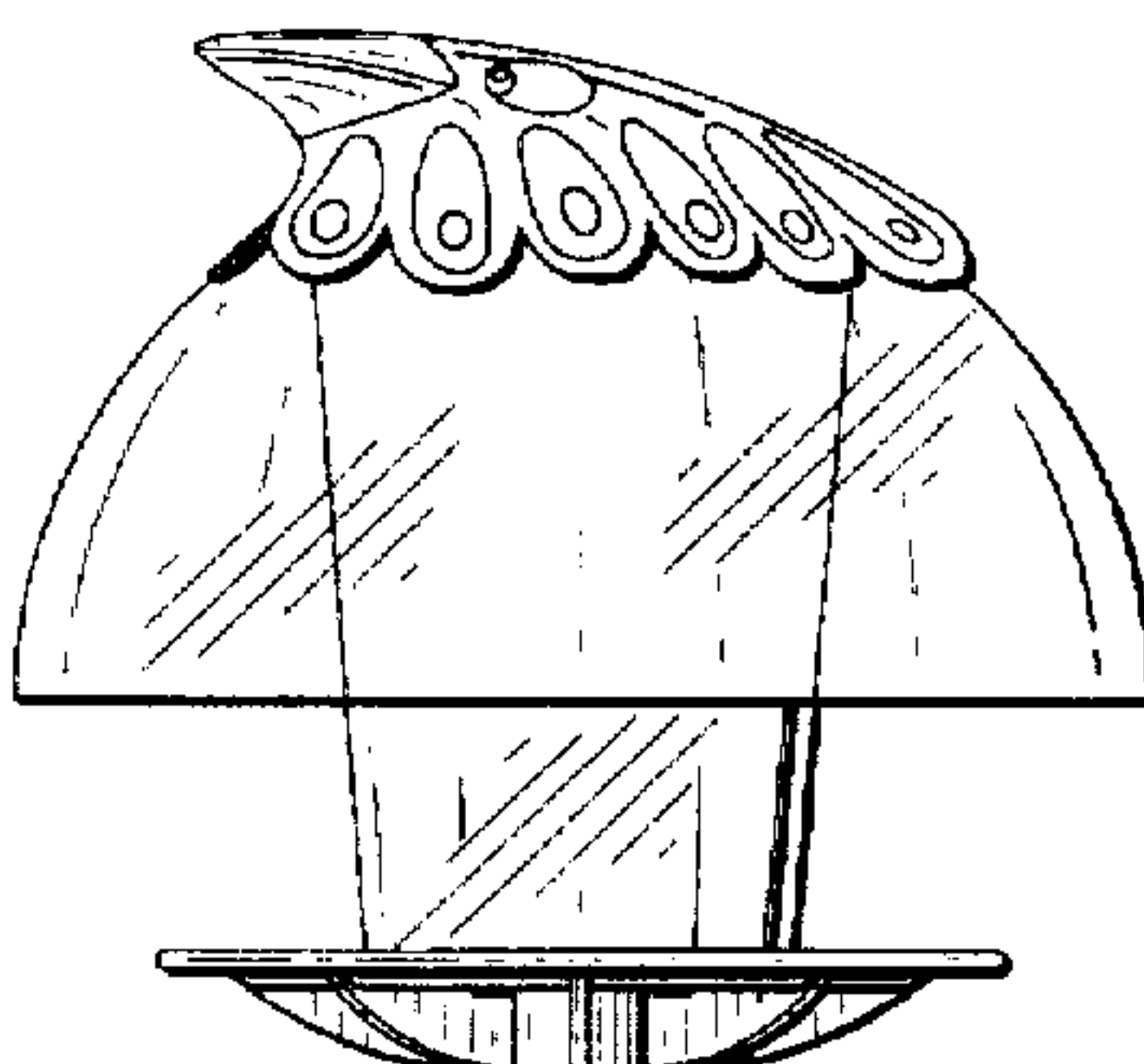


Fig. 5.

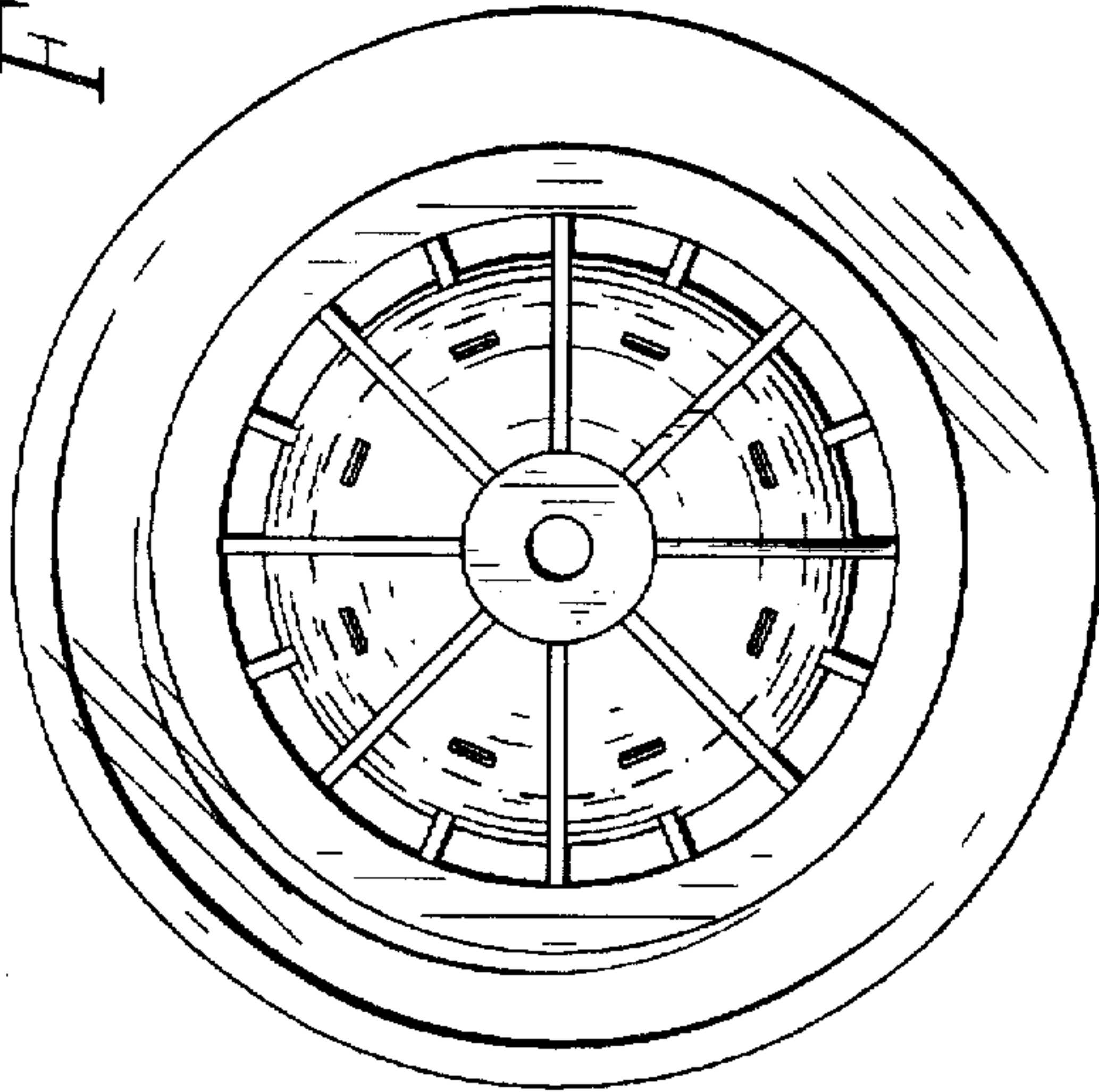


Fig. 2.



Fig. 4.

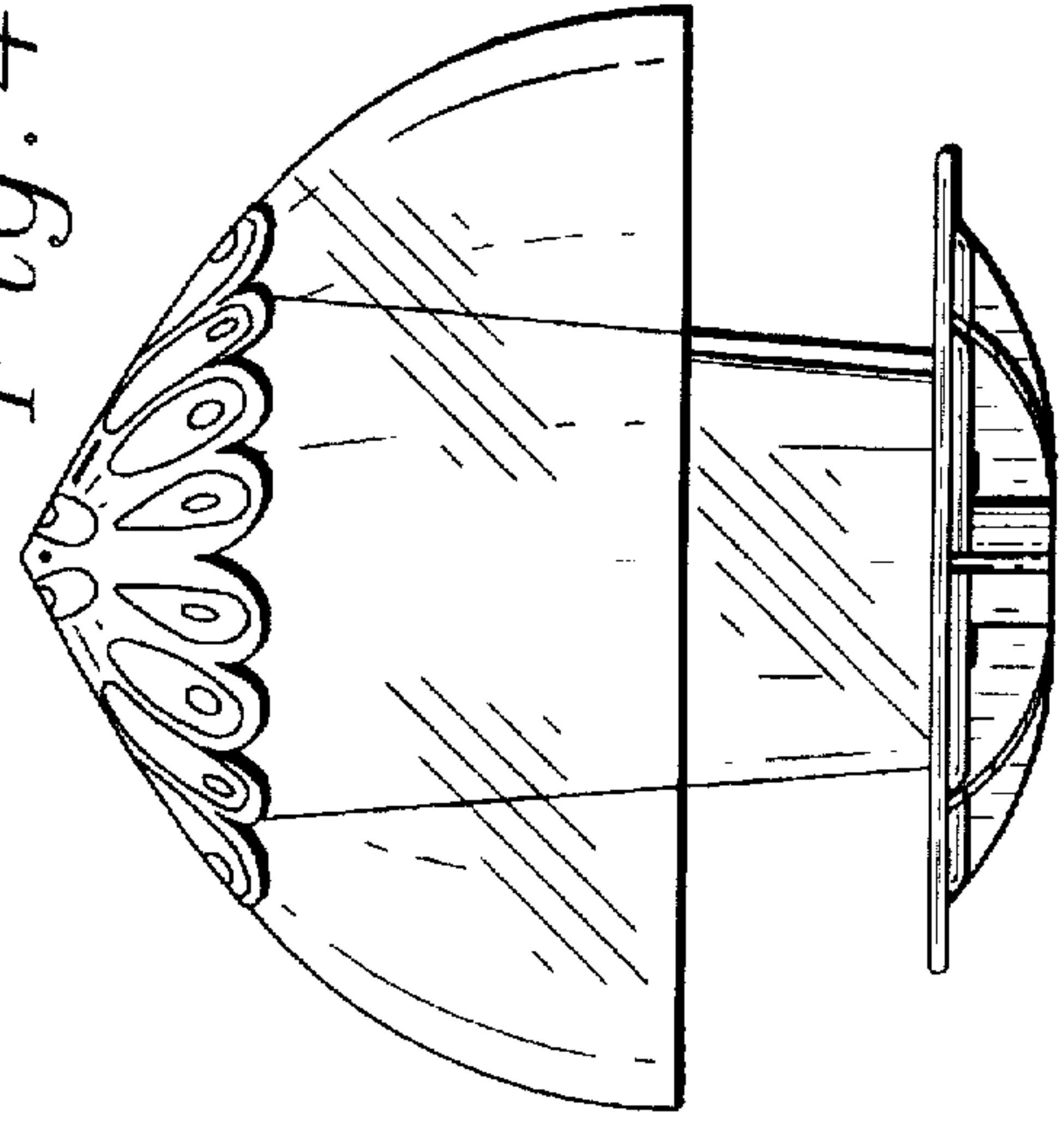


Fig. 1.

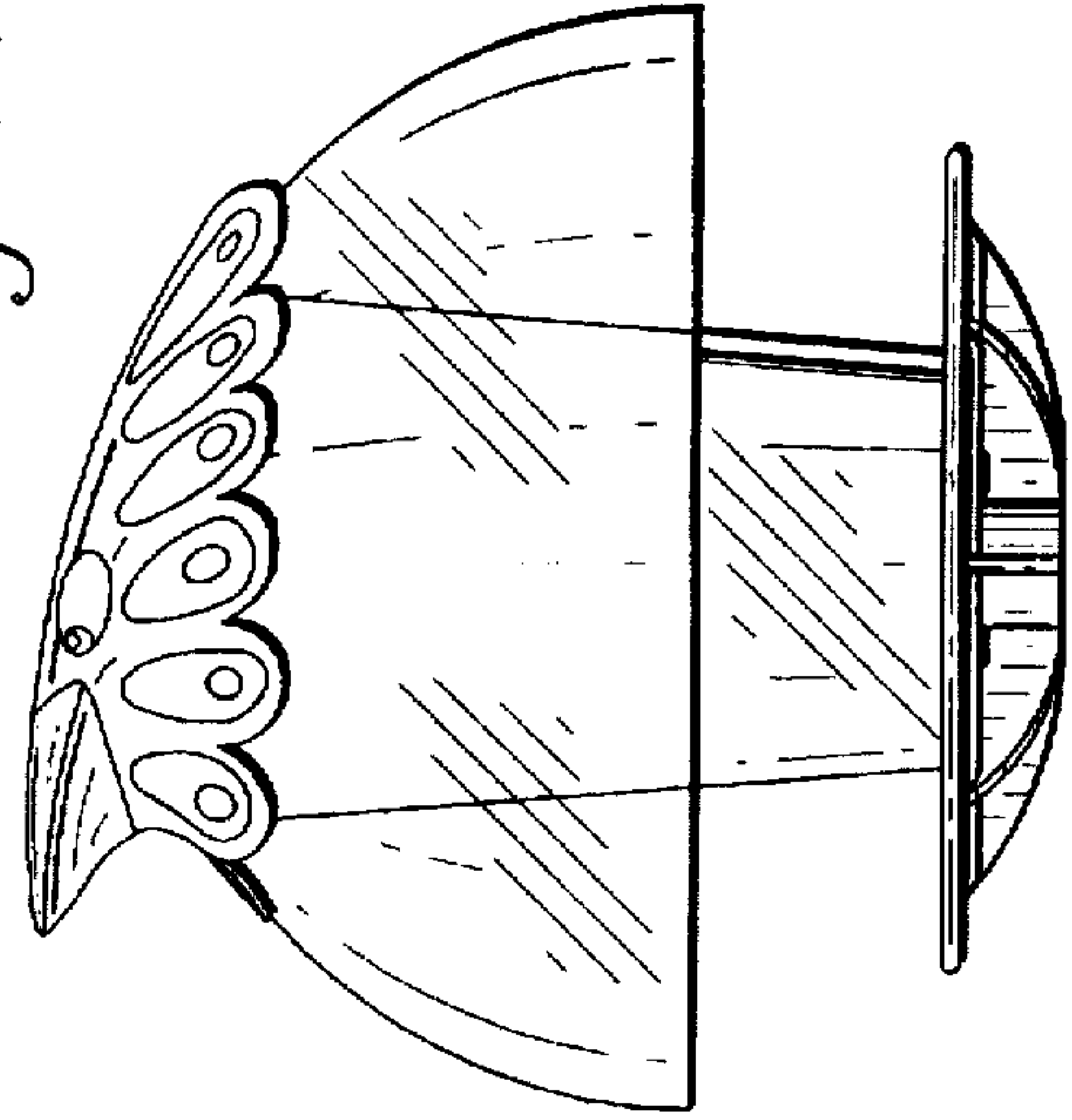


Fig. 3.

