



US00D383876S

United States Patent [19]

Pacheco

[11] Patent Number: **Des. 383,876**

[45] Date of Patent: ****Sep. 16, 1997**

[54] SAFETY HELMET

[76] Inventor: **Enrique Pacheco**, P.O. Box 29347, San Juan, Puerto Rico, 00929-0347

[**] Term: **14 Years**

[21] Appl. No.: **54,425**

[22] Filed: **May 17, 1996**

[51] LOC (6) Cl. **09-03**

[52] U.S. Cl. **D29/103**

[58] Field of Search D29/102-107;
2/6.3, 6.7, 423, 424, 425, 419; D14/192;
343/718

[56] **References Cited**

U.S. PATENT DOCUMENTS

- D. 173,929 2/1955 Barker, Jr. D29/104
- D. 206,568 1/1967 Campbell D29/103
- D. 300,275 3/1989 Sjogren et al. D29/104

- D. 370,308 5/1996 Nilsson D29/102
- 2,473,394 6/1949 Scott D29/103
- 2,610,322 9/1952 Daly D29/104

Primary Examiner—Ruth McInroy
Attorney, Agent, or Firm—Harold H. Dutton, Jr.; Diane F. Liebman

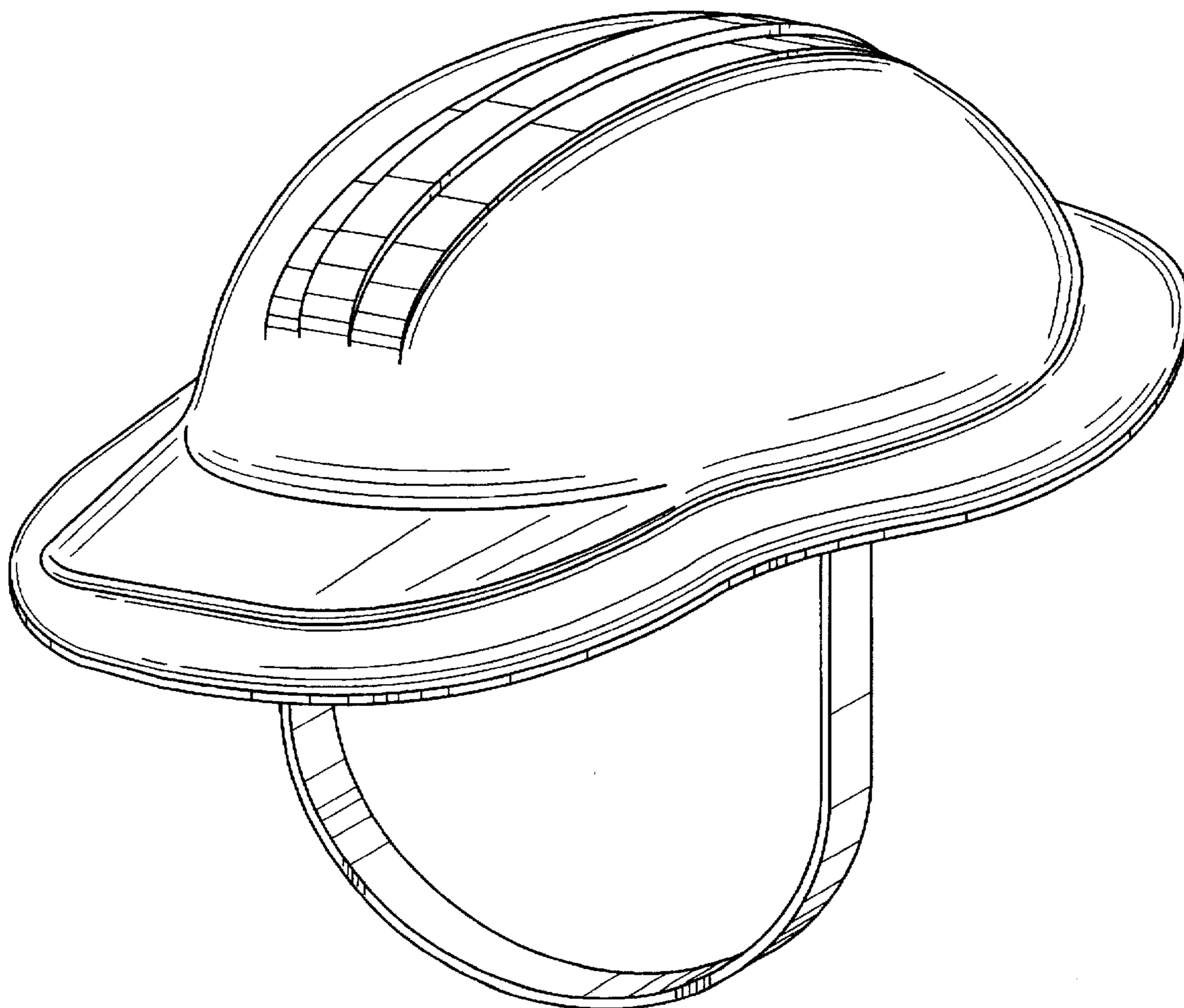
[57] **CLAIM**

The ornamental design for a safety helmet, as shown.

DESCRIPTION

FIG. 1 is a perspective view of a safety helmet showing my new design;
FIG. 2 is a right side elevation view thereof;
FIG. 3 is a top plan view thereof;
FIG. 4 is a bottom plan view thereof;
FIG. 5 is a front elevation view thereof; and,
FIG. 6 is a rear elevation view thereof.

1 Claim, 4 Drawing Sheets



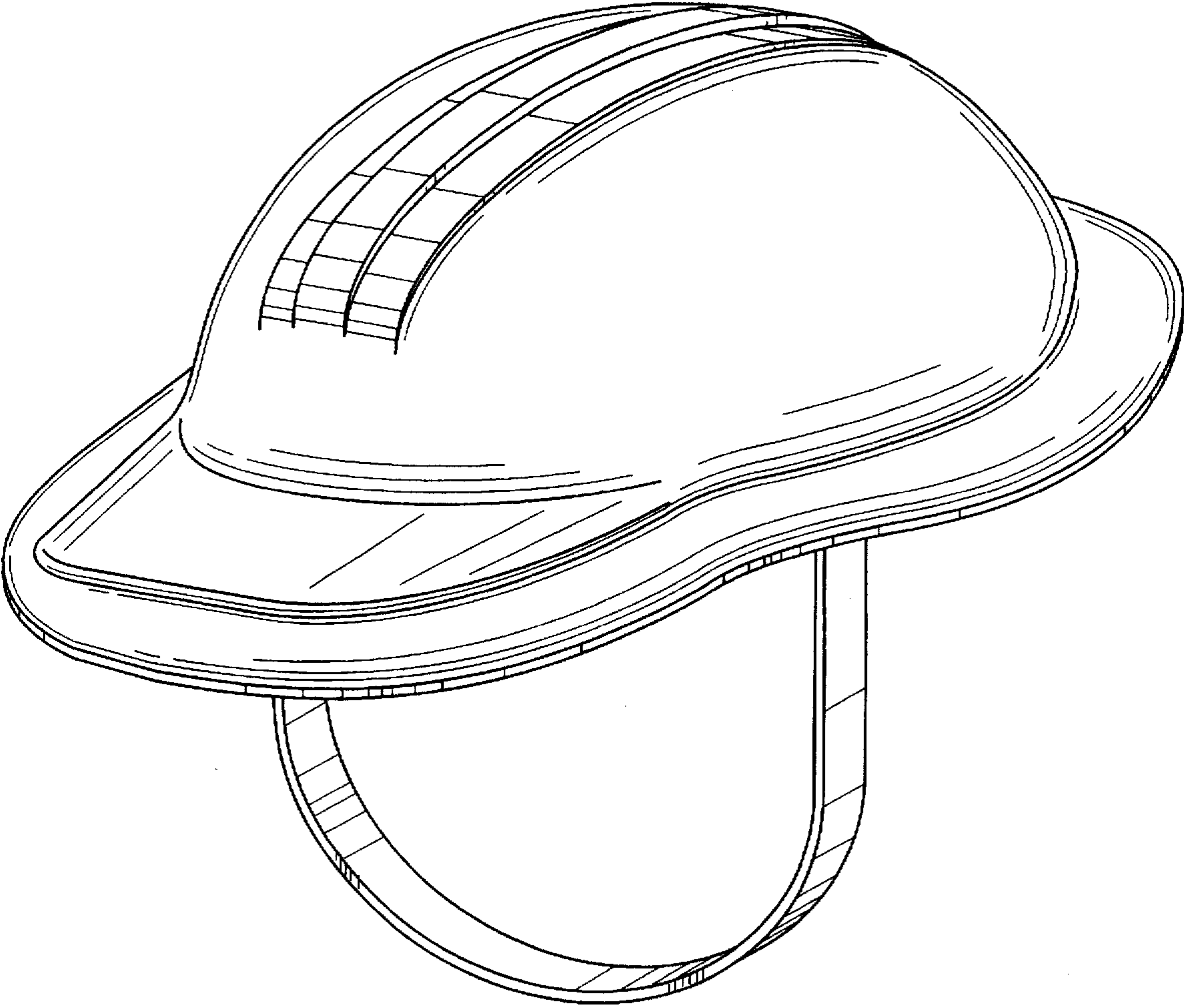


FIG. 1

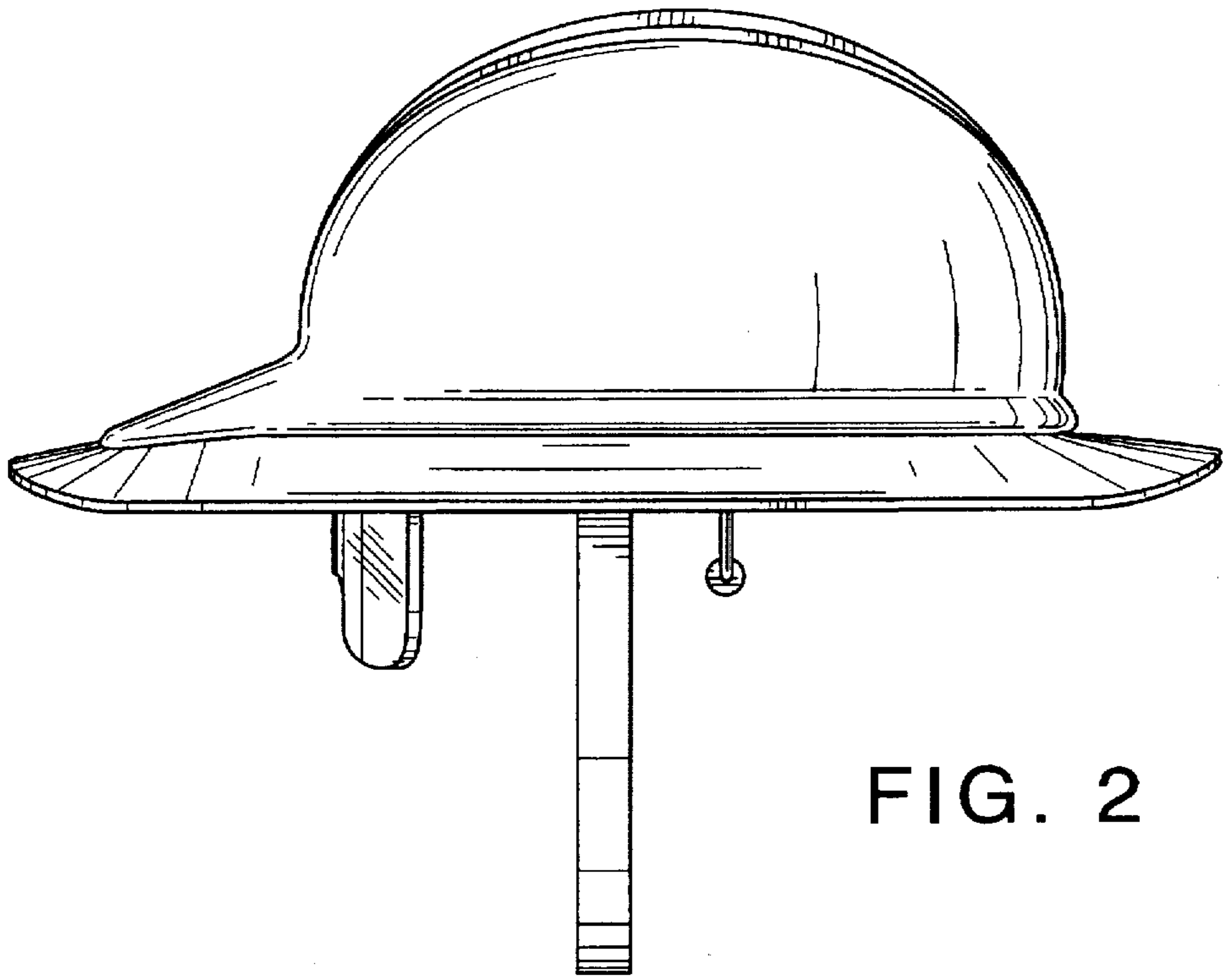


FIG. 2

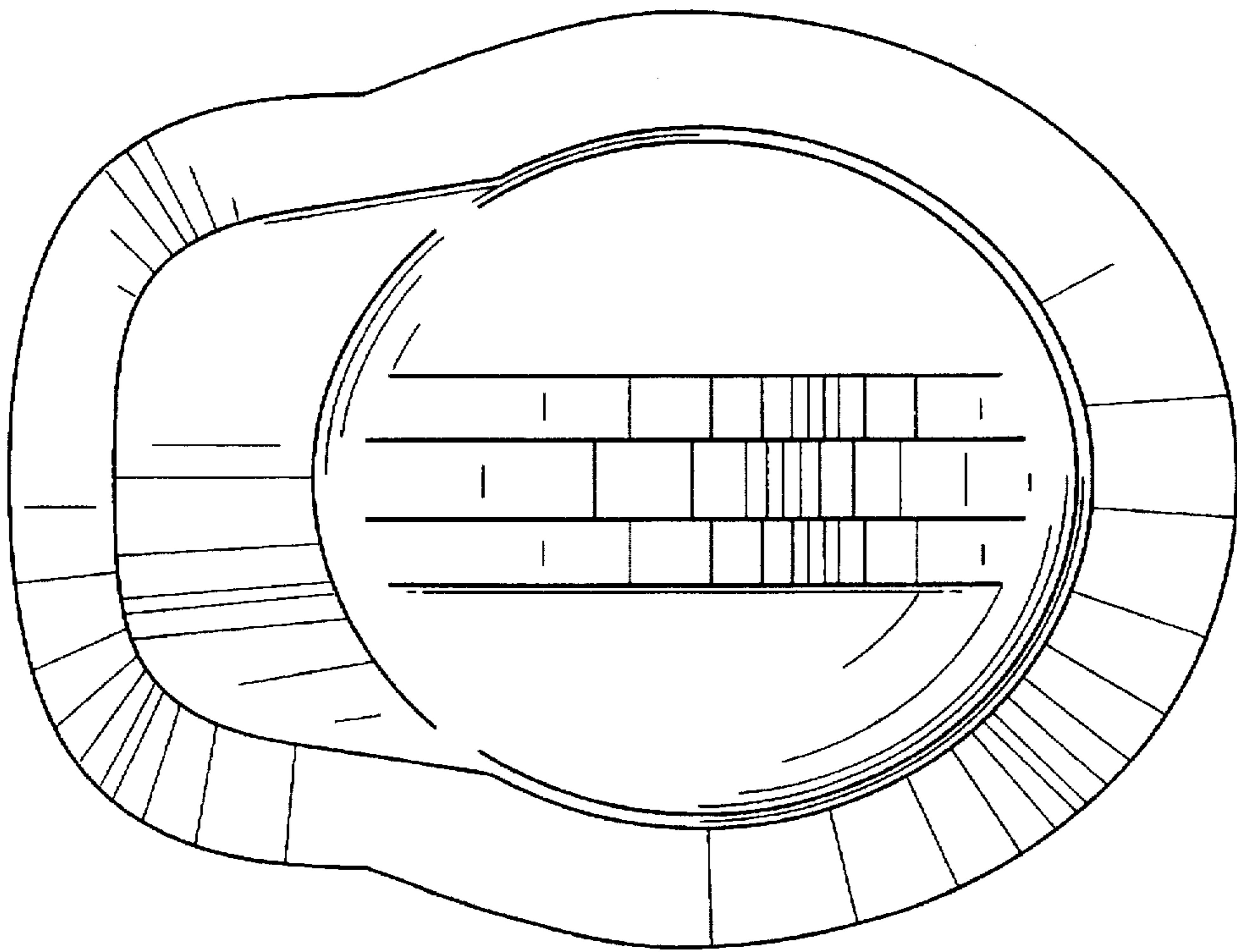


FIG. 3

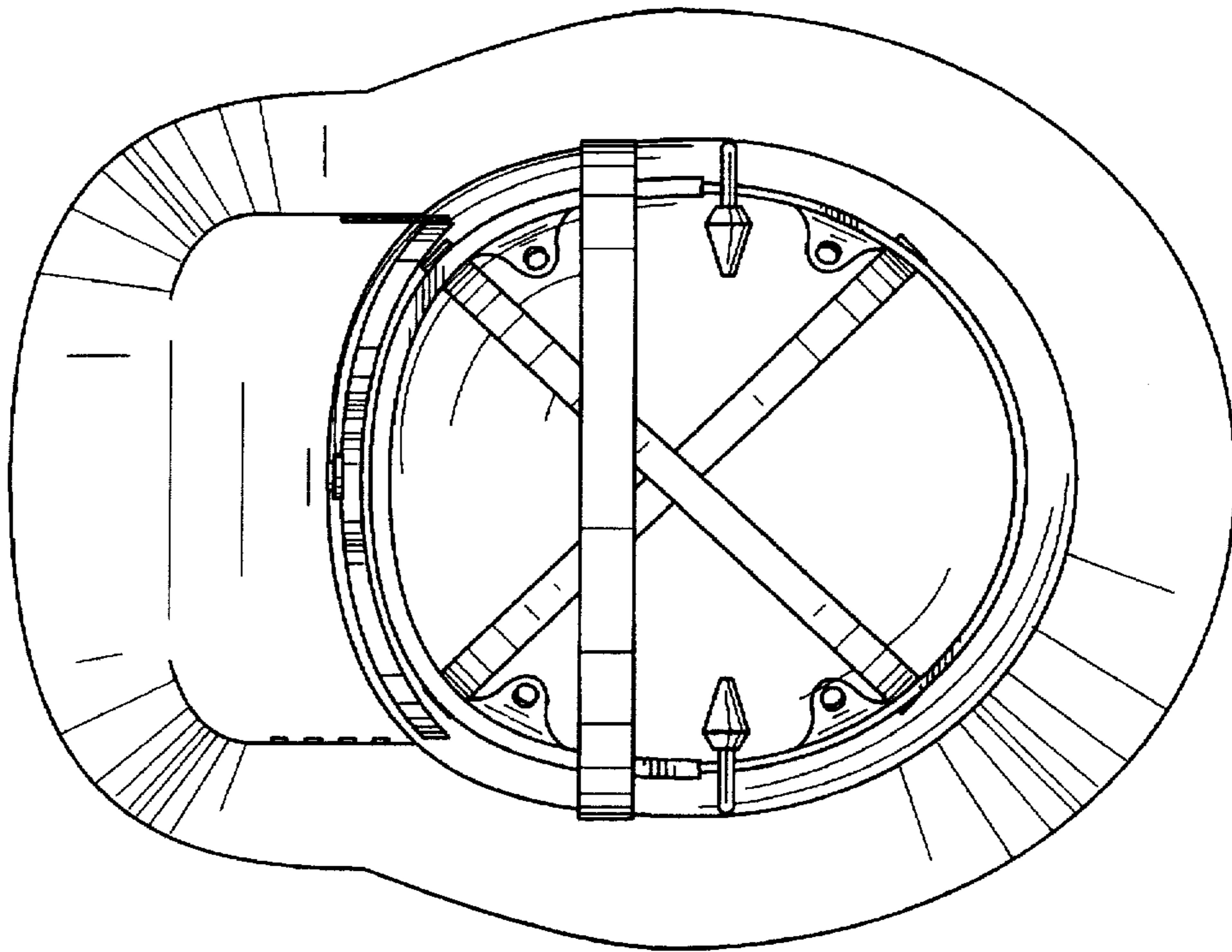


FIG. 4

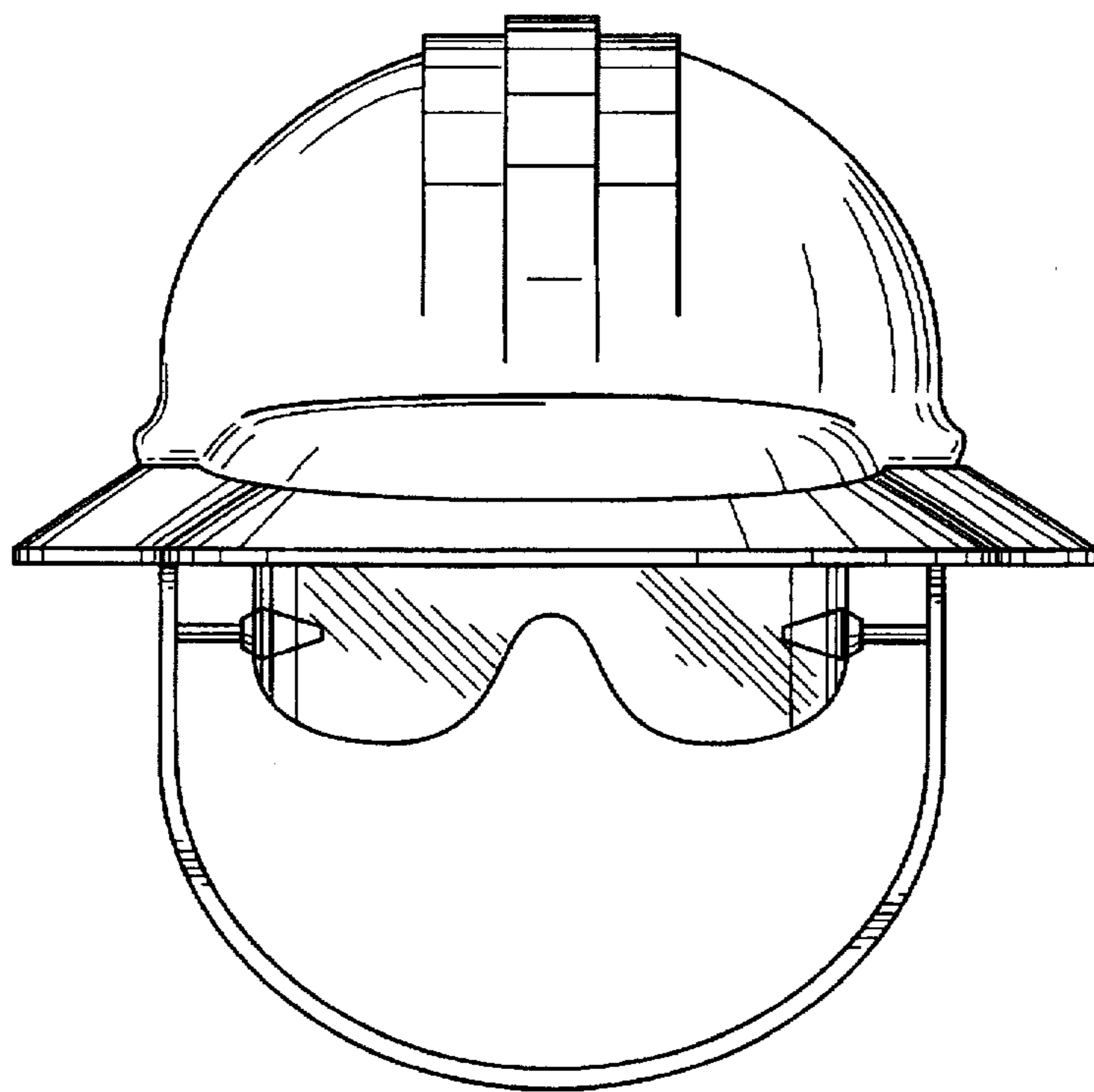


FIG. 5

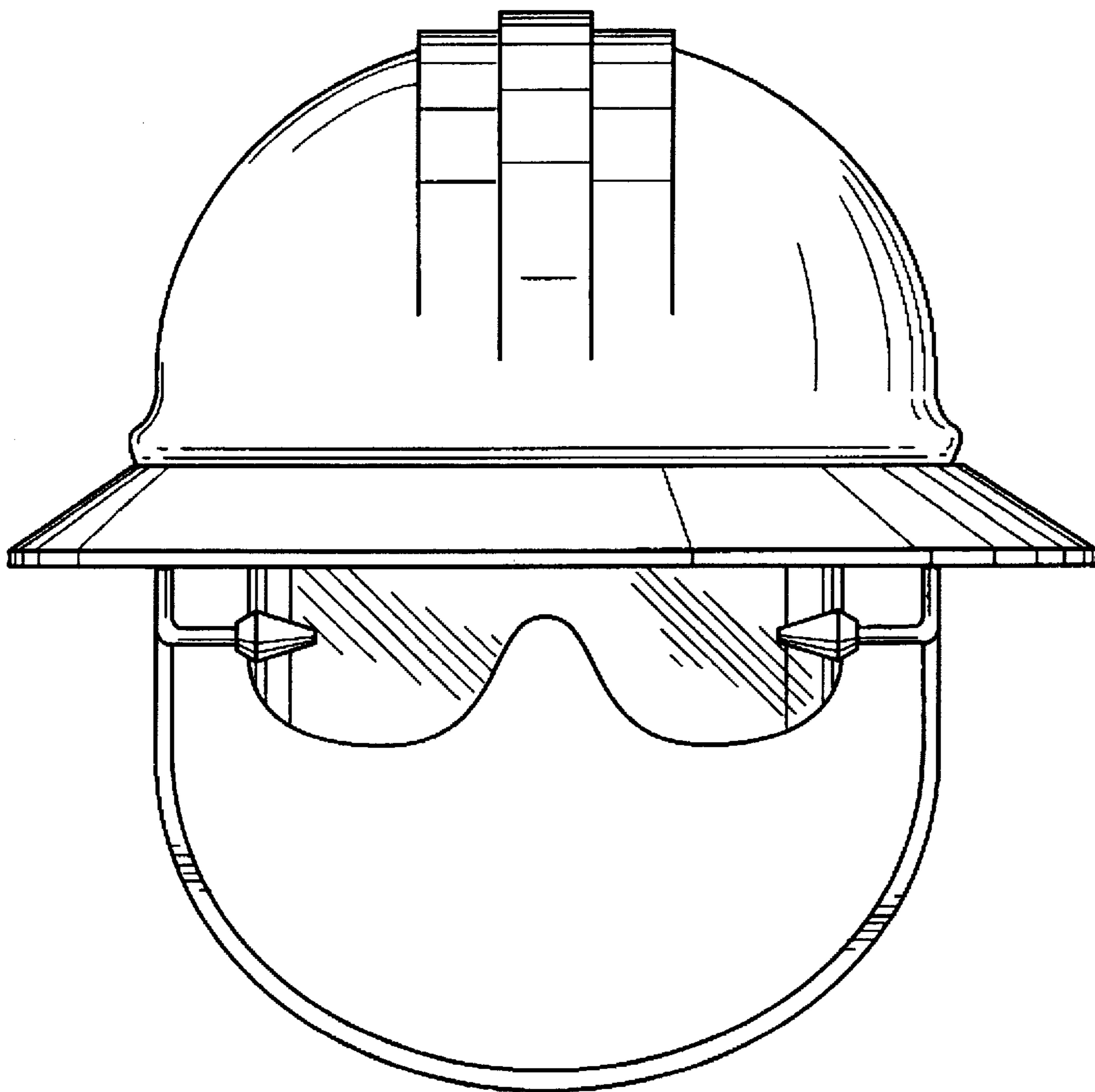


FIG. 6