

US00D383874S

United States Patent [19]

[11] Patent Number: **Des. 383,874**

Rizzuto

[45] Date of Patent: ****Sep. 16, 1997**

[54] VOLUME COMB ATTACHMENT FOR A HAIR DRYER

FOREIGN PATENT DOCUMENTS

2327622 12/1973 Germany 34/96

[75] Inventor: **Leandro P. Rizzuto**, Greenwich, Conn.

OTHER PUBLICATIONS

[73] Assignee: **Conair Corporation**, Stamford, Conn.

Hong Kong Enterprise Jun. 1993, p. 536 : diffuser shown on PRO-1600W hair dryer.

[**] Term: **14 Years**

Primary Examiner—Catherine Tuttle
Attorney, Agent, or Firm—Ohlandt, Greeley, Ruggiero & Perle

[21] Appl. No.: **27,143**

[57] CLAIM

[22] Filed: **Aug. 15, 1994**

The ornamental design for a volume comb attachment for a hair dryer, as shown and described.

[51] LOC (6) Cl. **28-03**

[52] U.S. Cl. **D28/18**

[58] Field of Search D28/13, 15, 18,
D28/25, 28; 132/212, 112, 116-118, 271,
272; 34/96-101; 392/384, 385

DESCRIPTION

[56] References Cited

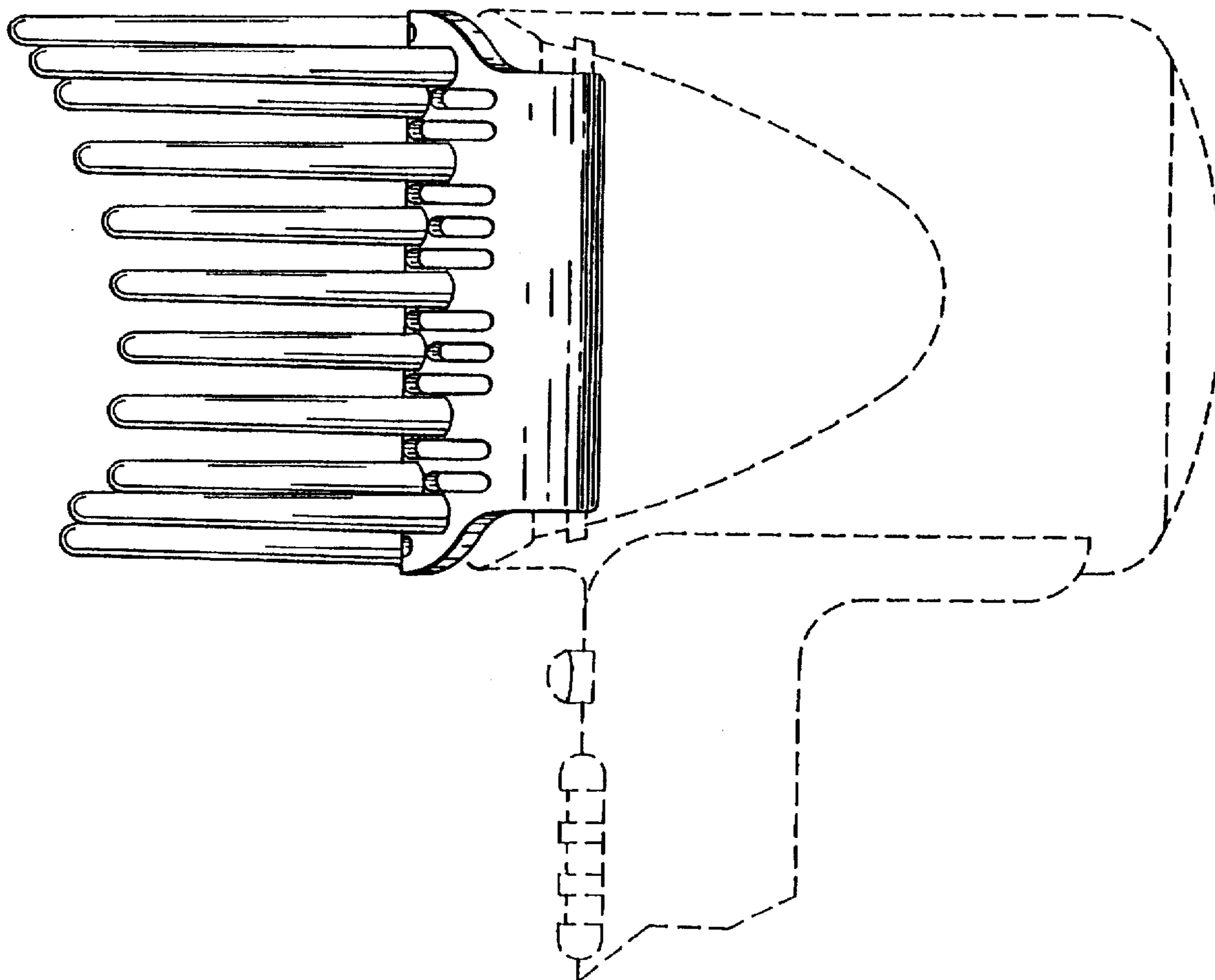
U.S. PATENT DOCUMENTS

D. 245,453	8/1977	Cousins et al.	D28/18
D. 259,742	6/1981	Iammatteo	D28/18
D. 273,520	4/1984	Frey	D28/25 X
D. 325,794	4/1992	Lerner	D28/13
3,523,542	8/1970	Eisler	219/222 X
4,538,362	9/1985	Andis	34/97

FIG. 1 is a right side elevational view of a volume comb attachment for a hair dryer showing my new design, the left side being a mirror image of the side shown; FIG. 2 is a front elevation view thereof; FIG. 3 is a bottom plan view thereof; and, FIG. 4 is a top plan view thereof.

The broken line showing of the hair dryer and projections visible in the plan views is for illustrative purposes only and forms no part of the claimed design.

1 Claim, 2 Drawing Sheets



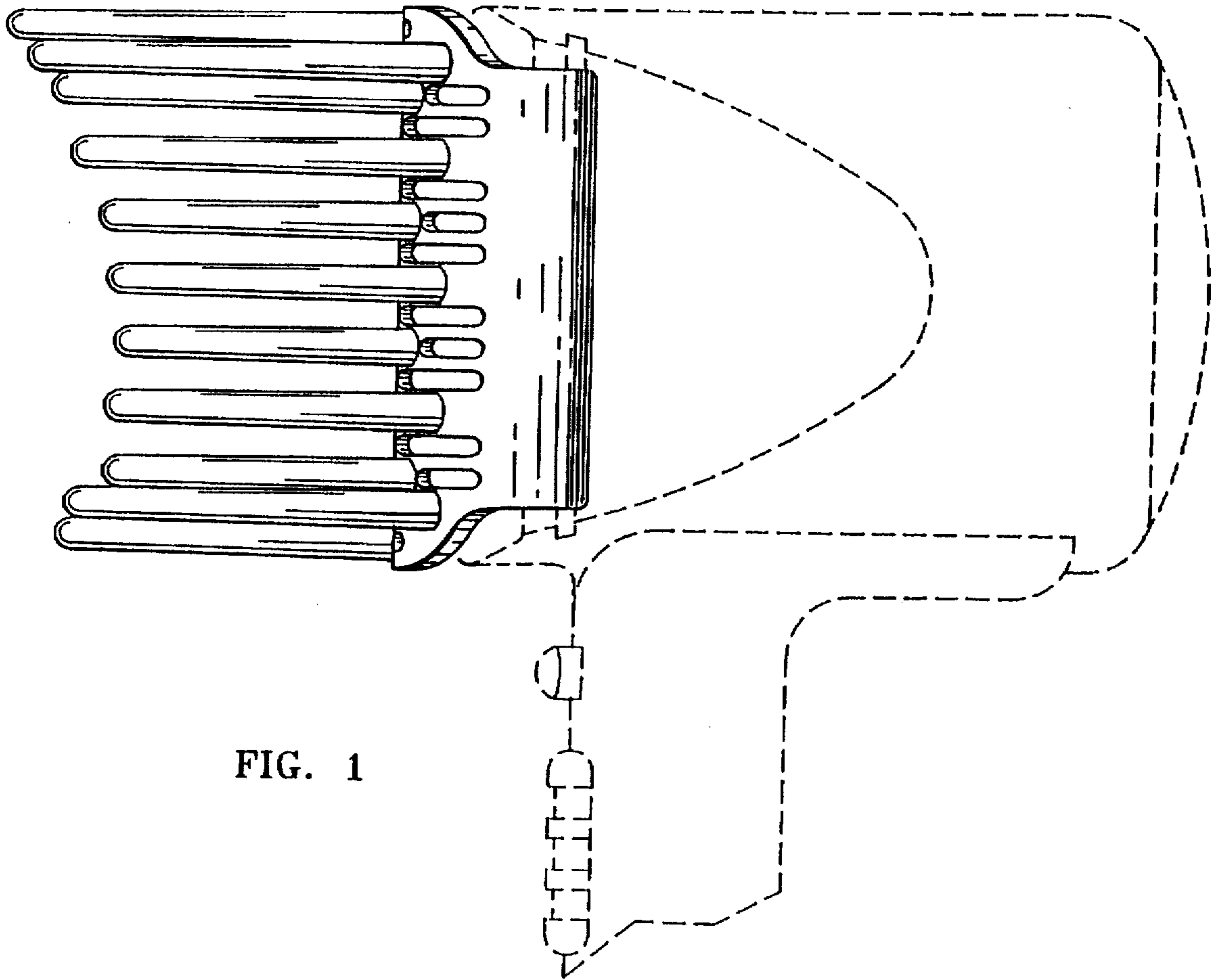


FIG. 1

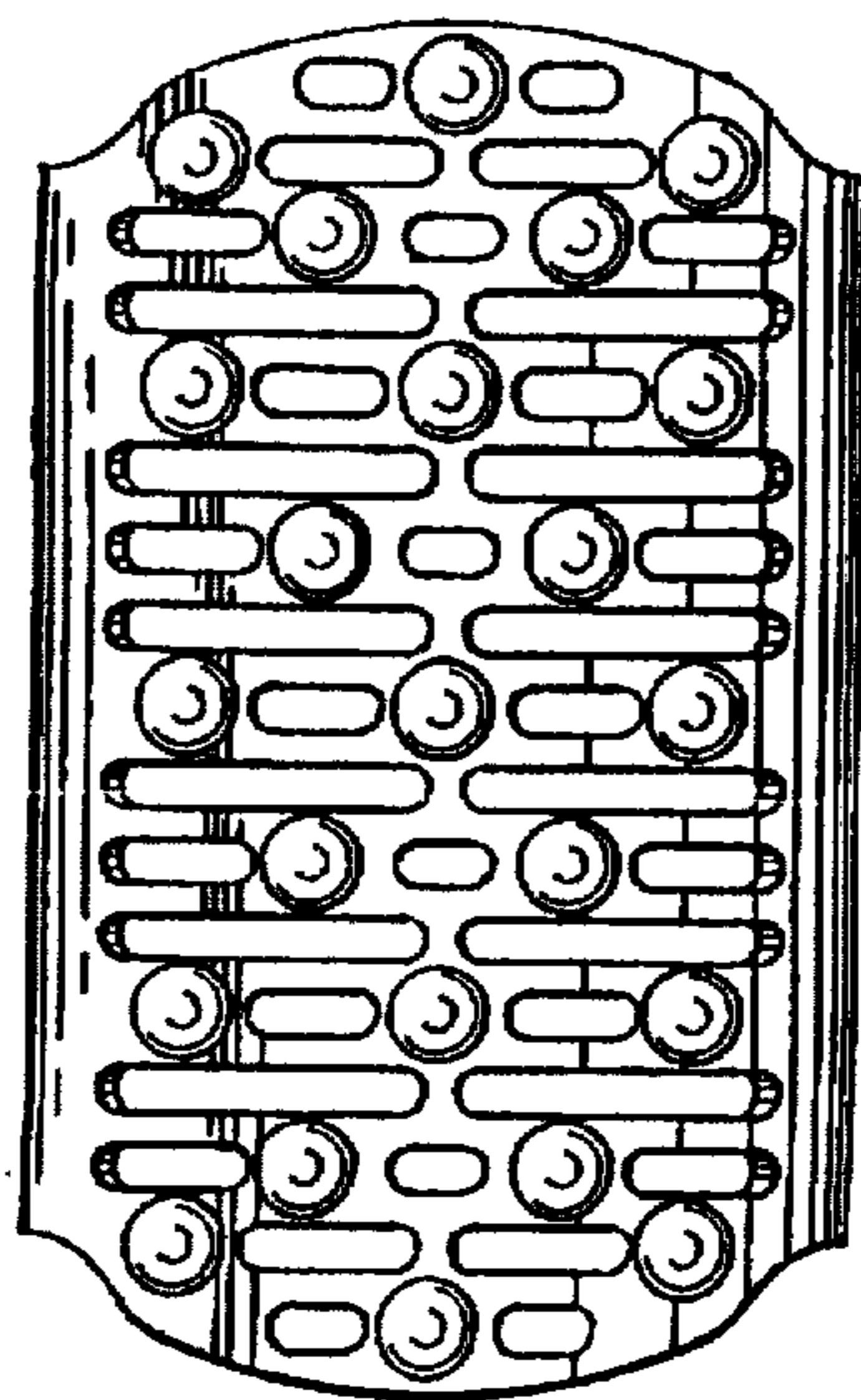


FIG. 2

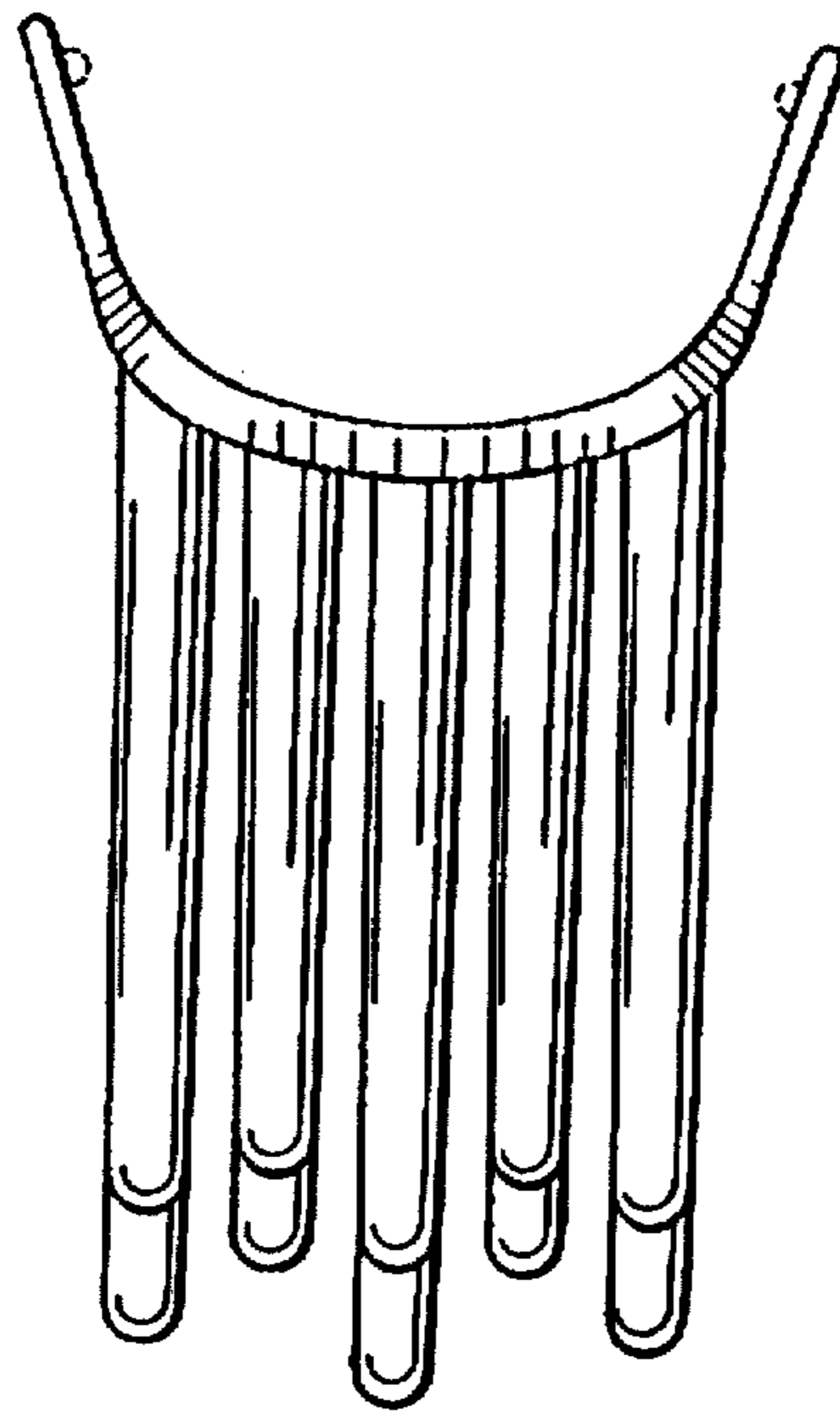


FIG. 3

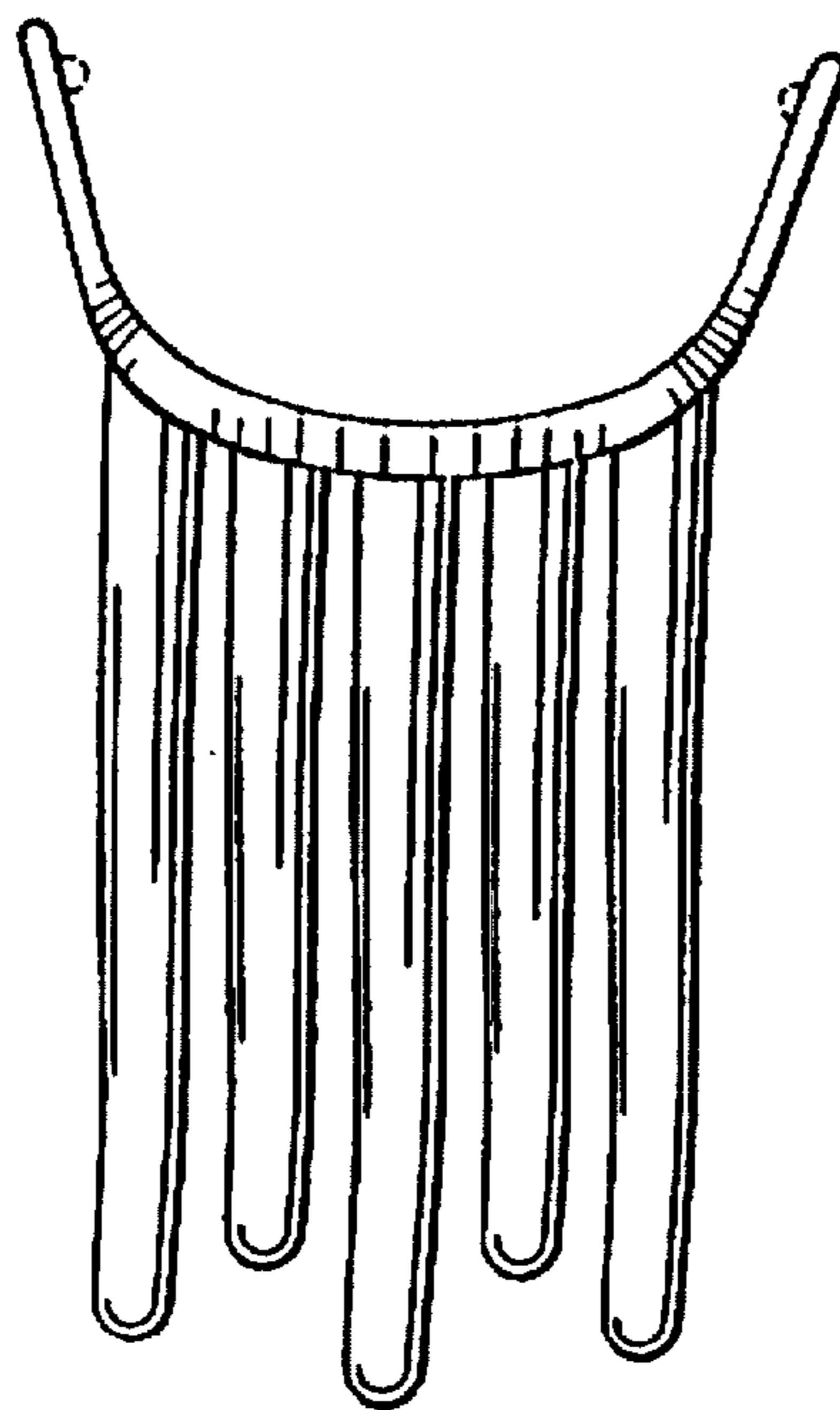


FIG. 4