



US00D383869S

United States Patent [19]

[11] Patent Number: **Des. 383,869**

Littman et al.

[45] Date of Patent: ****Sep. 16, 1997**

[54] LIGHTING FIXTURE

[75] Inventors: **Sandra E. Littman; Kirina S. Kaufman**, both of New York, N.Y.

[73] Assignee: **Sandy Littman, Inc.**, New York, N.Y.

[**] Term: **14 Years**

[21] Appl. No.: **48,308**

[22] Filed: **Dec. 26, 1995**

[51] LOC (6) Cl. **26-05**

[52] U.S. Cl. **D26/80; D26/87**

[58] Field of Search **D26/72, 80-92; 362/147, 404-407, 432**

[56] References Cited

U.S. PATENT DOCUMENTS

D. 42,808	7/1912	Recker	D26/88
D. 69,033	12/1925	Klein	D26/80
1,711,065	4/1929	Smith	362/432 X

OTHER PUBLICATIONS

Greene's Lighting Catalog, p. 56, wall lighting fixture #227 1989.

Primary Examiner—Susan J. Lucas
Attorney, Agent, or Firm—Schweitzer Cornman Gross & Bondell LLP

[57] CLAIM

The ornamental design for a lighting fixture, as shown and described.

DESCRIPTION

FIG. 1 is a front elevational view embodying our new design for a lighting fixture;

FIG. 2 is a bottom plan view thereof;

FIG. 3 is a side elevational view thereof;

FIG. 4 is a top plan view thereof; and,

FIG. 5 is a rear elevational view thereof.

1 Claim, 3 Drawing Sheets

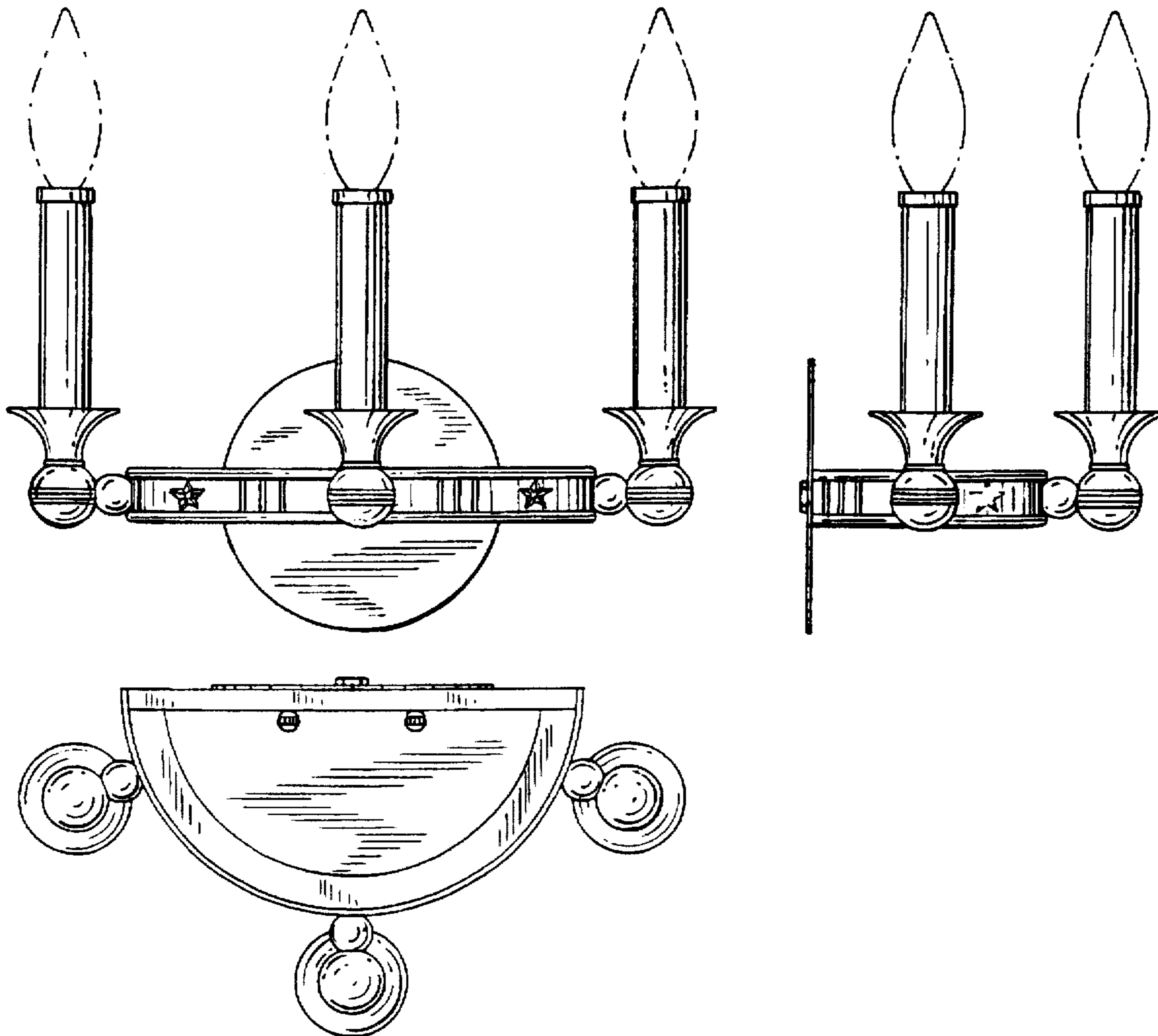


FIG. 1

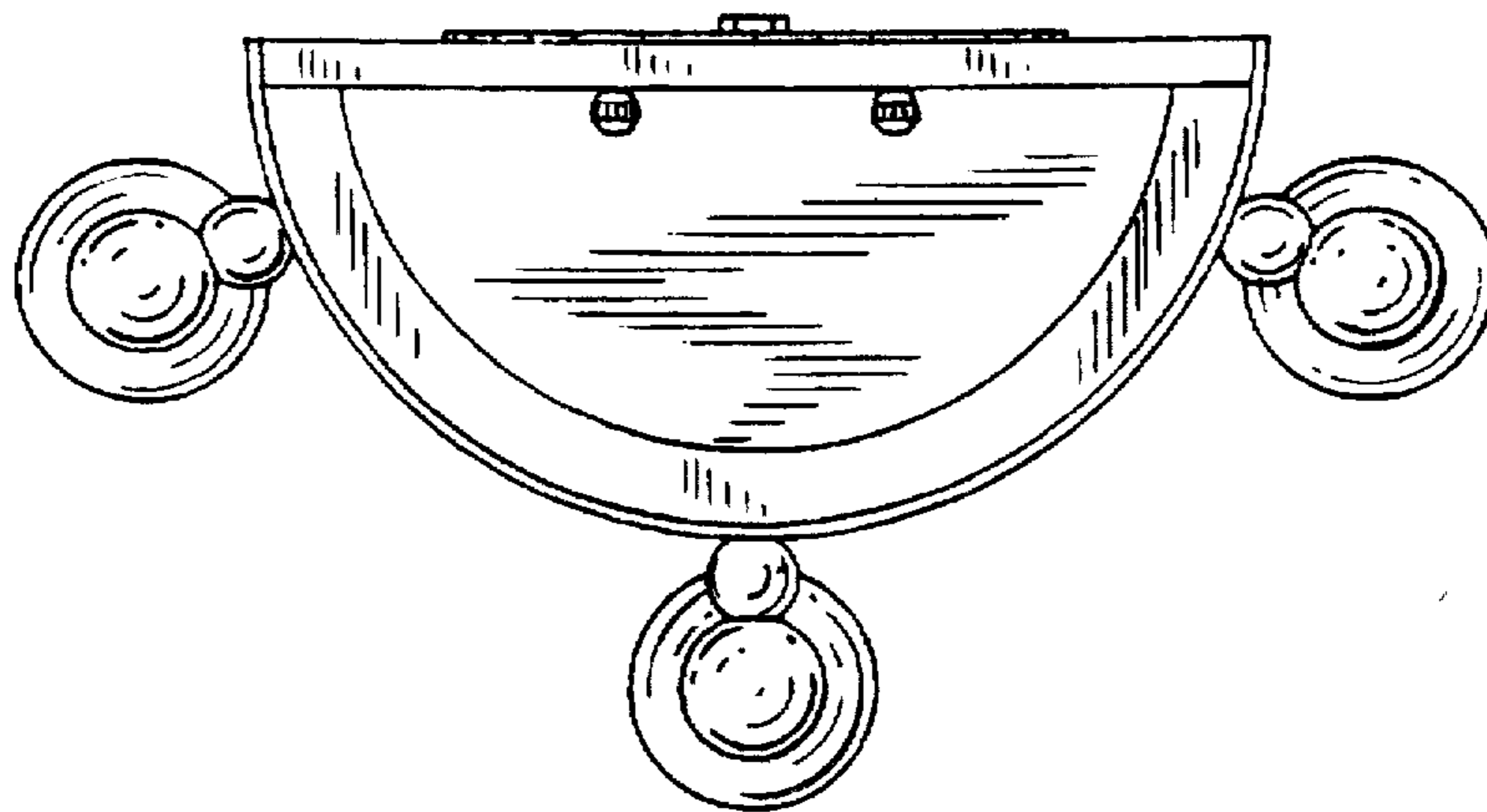
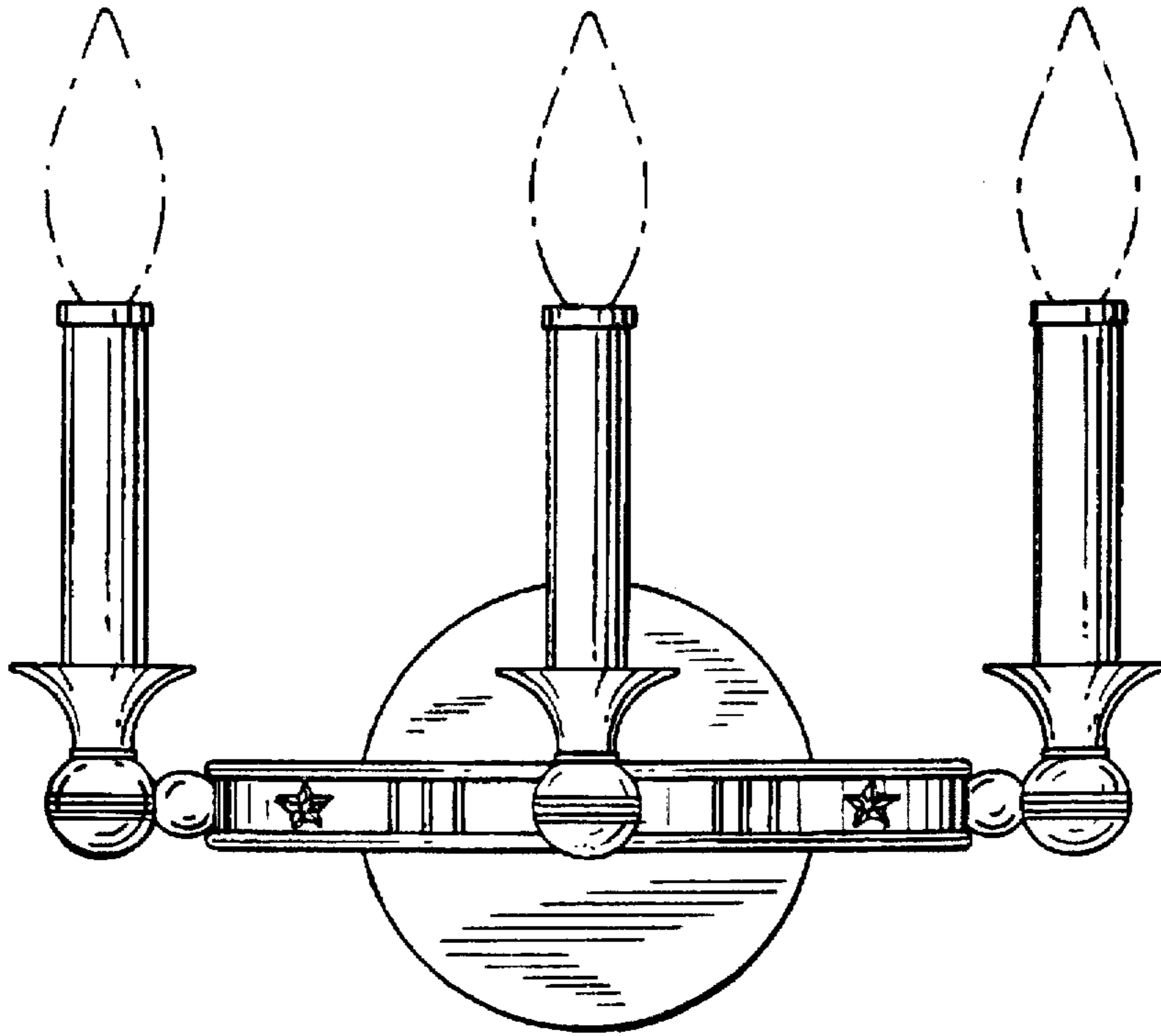


FIG. 2

FIG. 3

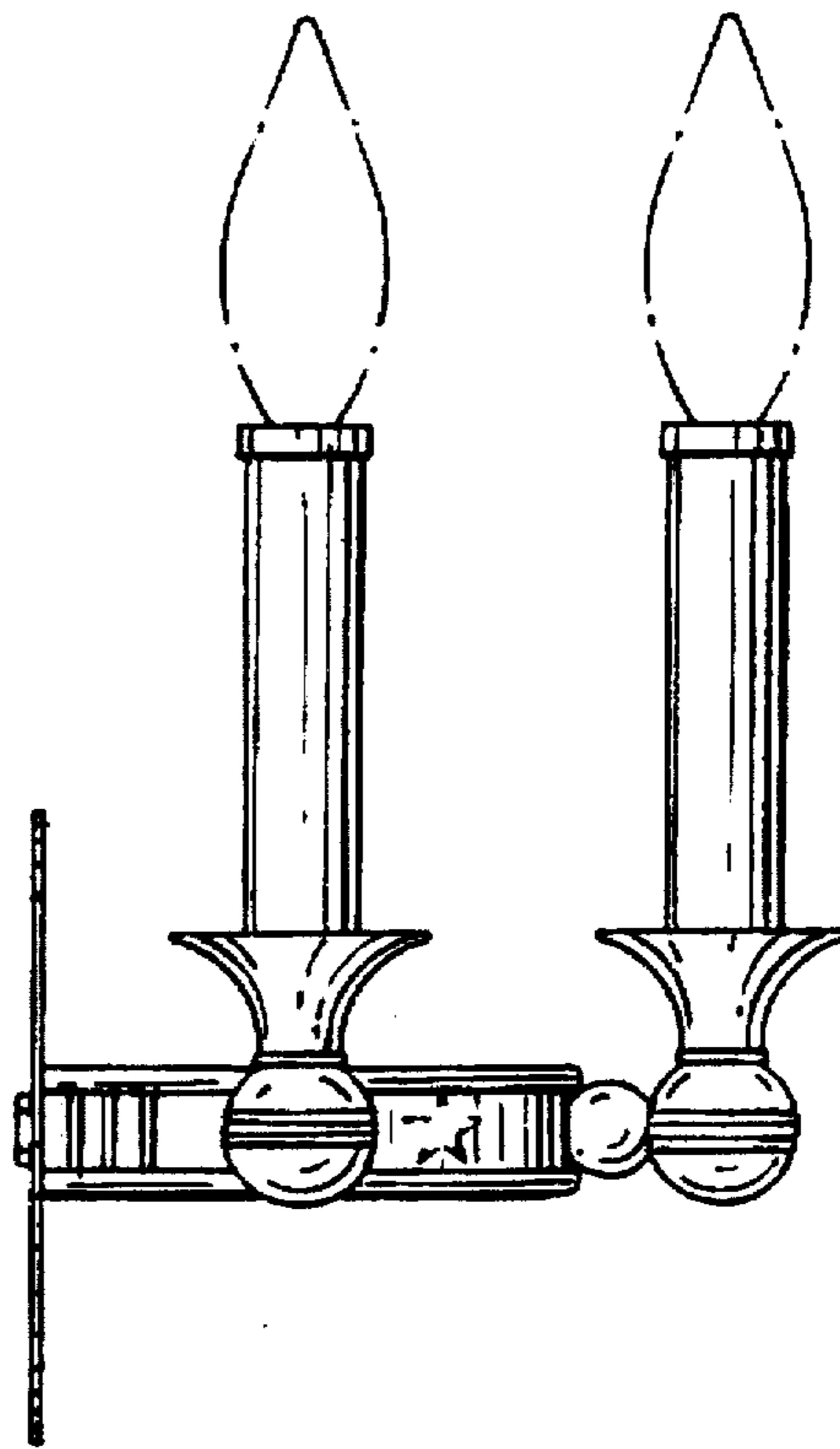


FIG. 4

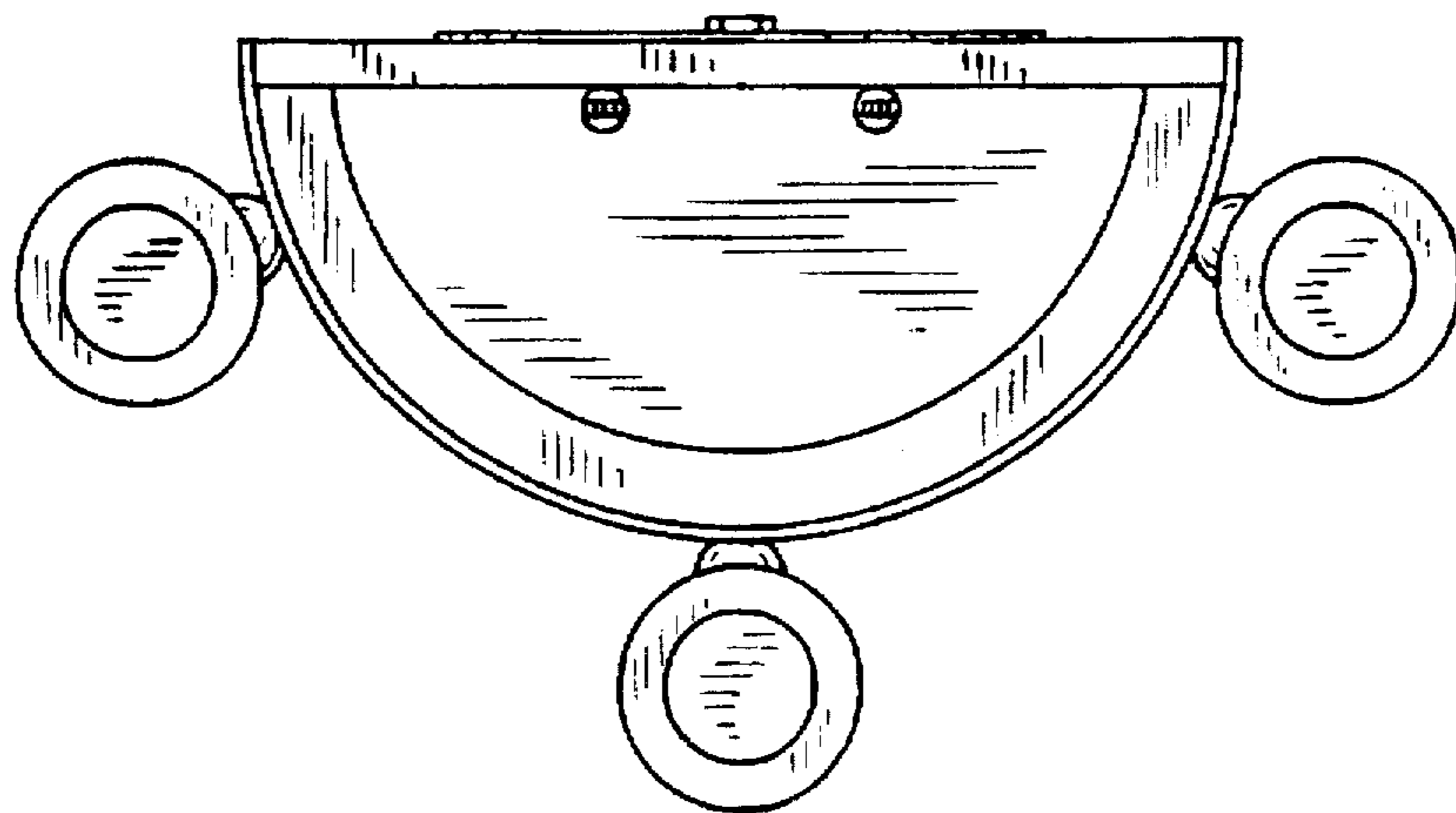


FIG. 5

