

US00D383865S

# United States Patent [19]

[11] Patent Number: **Des. 383,865**

Heiberg et al.

[45] Date of Patent: **\*\*Sep. 16, 1997**

## [54] LANTERN HOUSING

[75] Inventors: **Hans G. Heiberg**, Gråkamveien 30, 0389 Oslo, Norway; **Paolo Pelucchi**, Nova Milanese, Italy

[73] Assignees: **Pelucchi SpA**, Milan, Italy; **Hans G. Heiberg**, Oslo, Norway

[\*\*] Term: **14 Years**

[21] Appl. No.: **52,618**

[22] Filed: **Apr. 1, 1996**

### [30] Foreign Application Priority Data

Oct. 10, 1995 [NO] Norway ..... D950767

[51] LOC (6) Cl. .... **26-05**

[52] U.S. Cl. .... **D26/67; D26/85**

[58] Field of Search ..... D26/67-71, 72, D26/85, 87, 91, 92; 362/147, 153, 153.1, 431, 432, 367

### [56] References Cited

#### U.S. PATENT DOCUMENTS

D. 316,912 5/1991 Choi ..... D26/87

## OTHER PUBLICATIONS

Hadco Lighting Catalog, 1989, p. 48, Post Lantern #L-2123-AA.

Hinkley Lighting Catalog, ©1993, p. 115, Post Lantern #2111.

*Primary Examiner*—Susan J. Lucas  
*Attorney, Agent, or Firm*—Young & Thompson

## [57] CLAIM

The ornamental design for a lantern housing, as shown and described.

## DESCRIPTION

FIG. 1 is a perspective view from above of the lantern housing embodying my new ornamental design;

FIG. 2 is a front view of the lamp, (rear view corresponds);

FIG. 3 is a side view of the lamp (other side corresponds);

FIG. 4 is a plan view of the lamp; and,

FIG. 5 is an underneath plan view of the lamp.

**1 Claim, 5 Drawing Sheets**

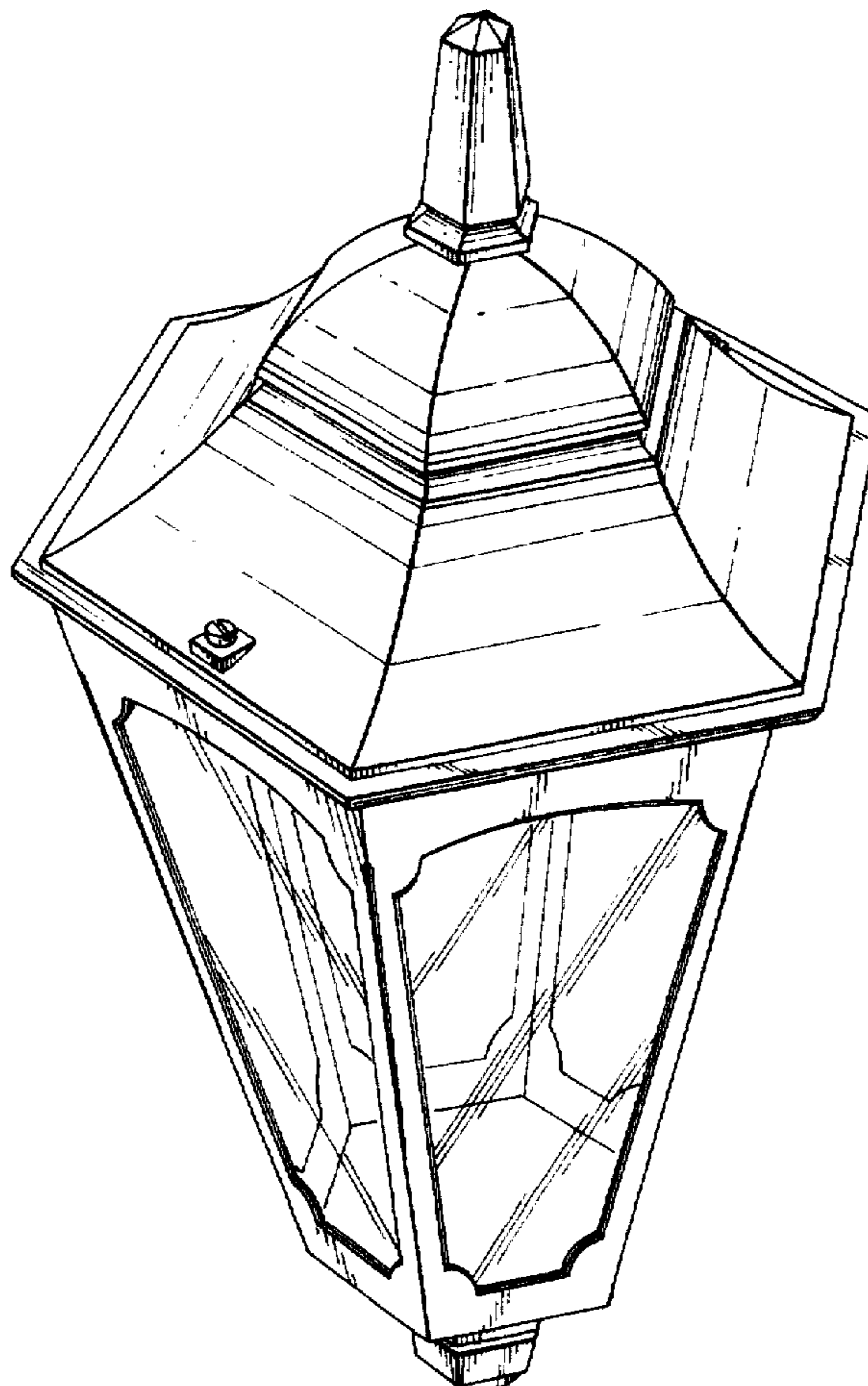


Fig. 1.

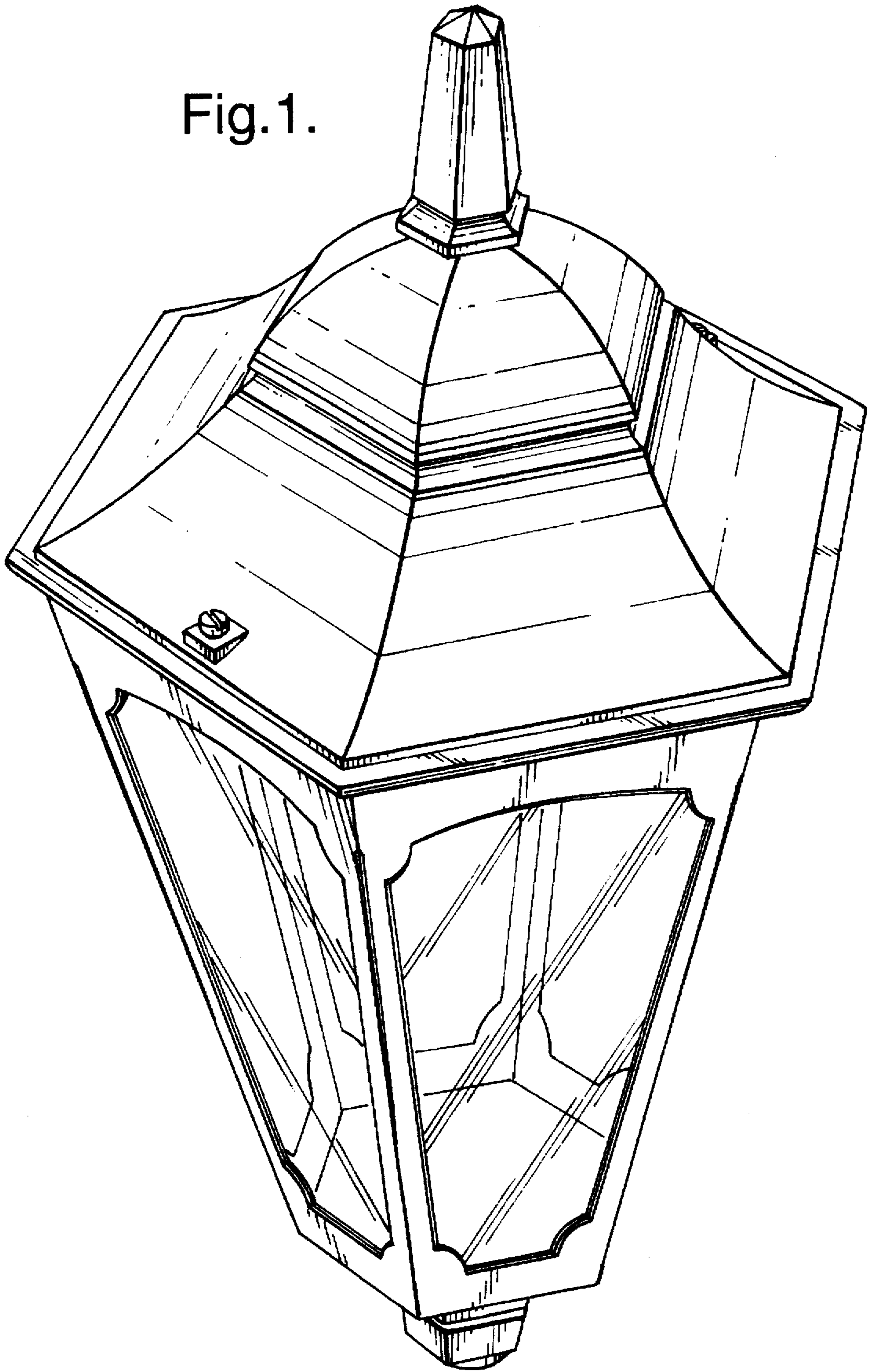


Fig.2.

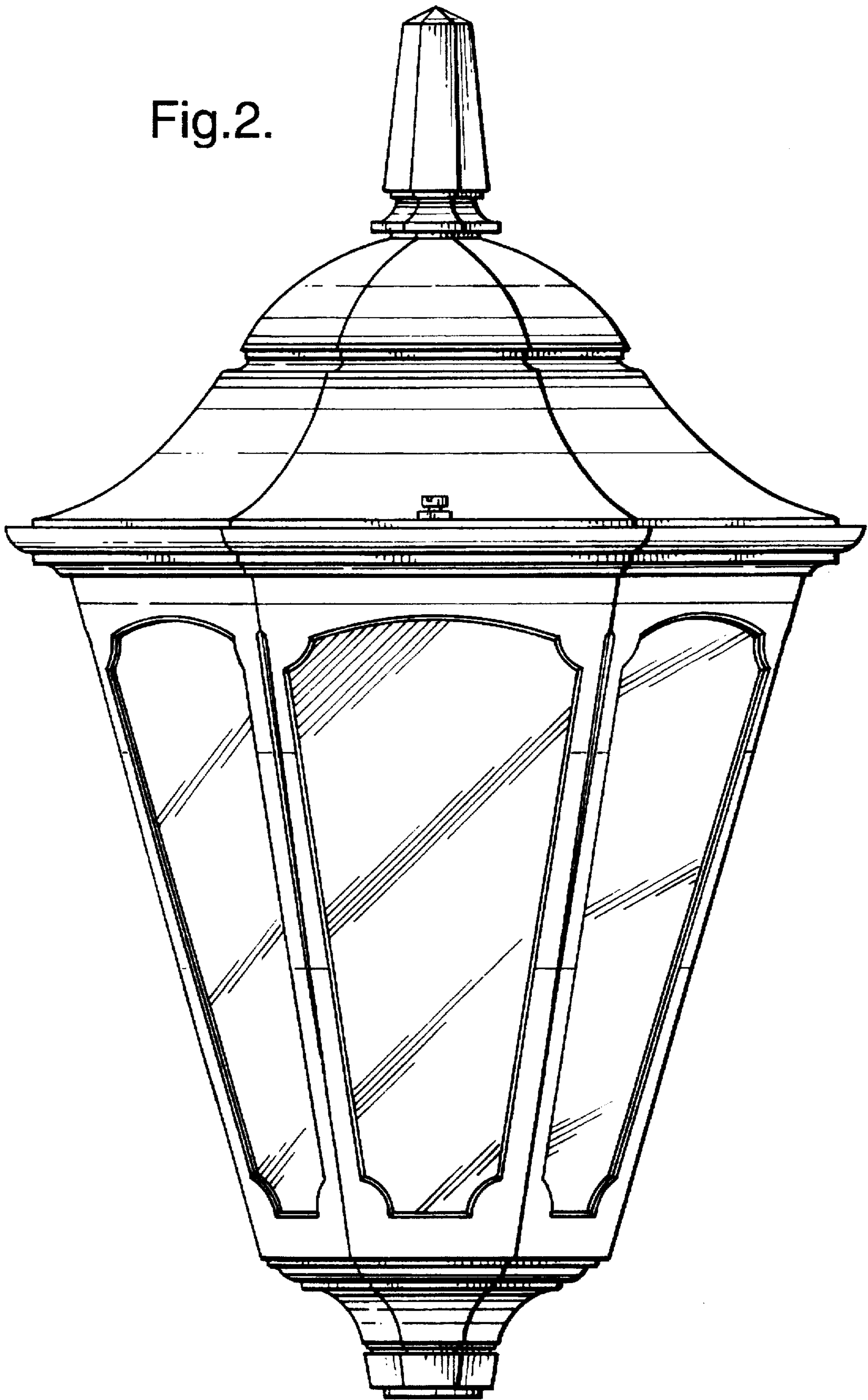


Fig.3.

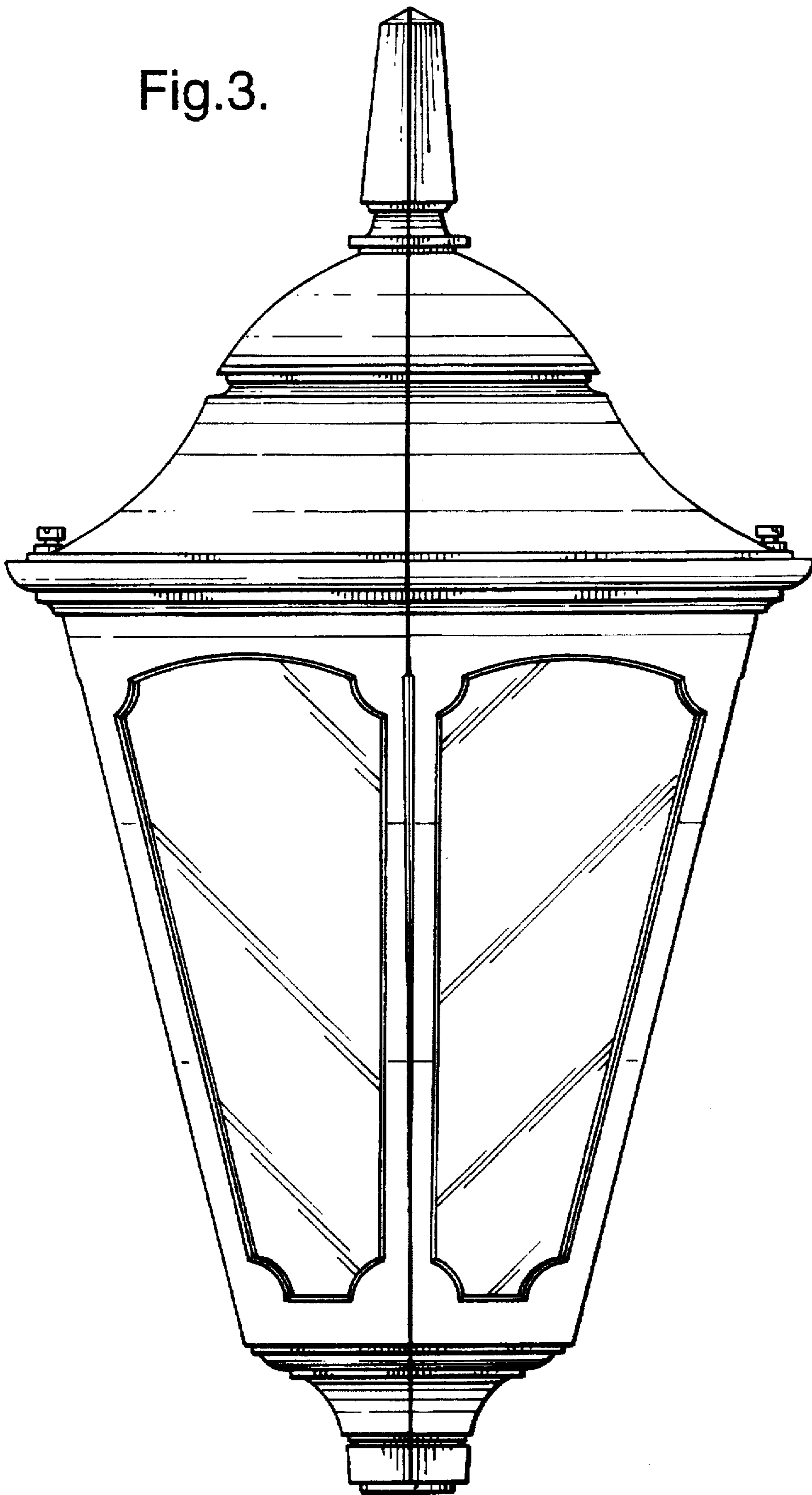


Fig.4.

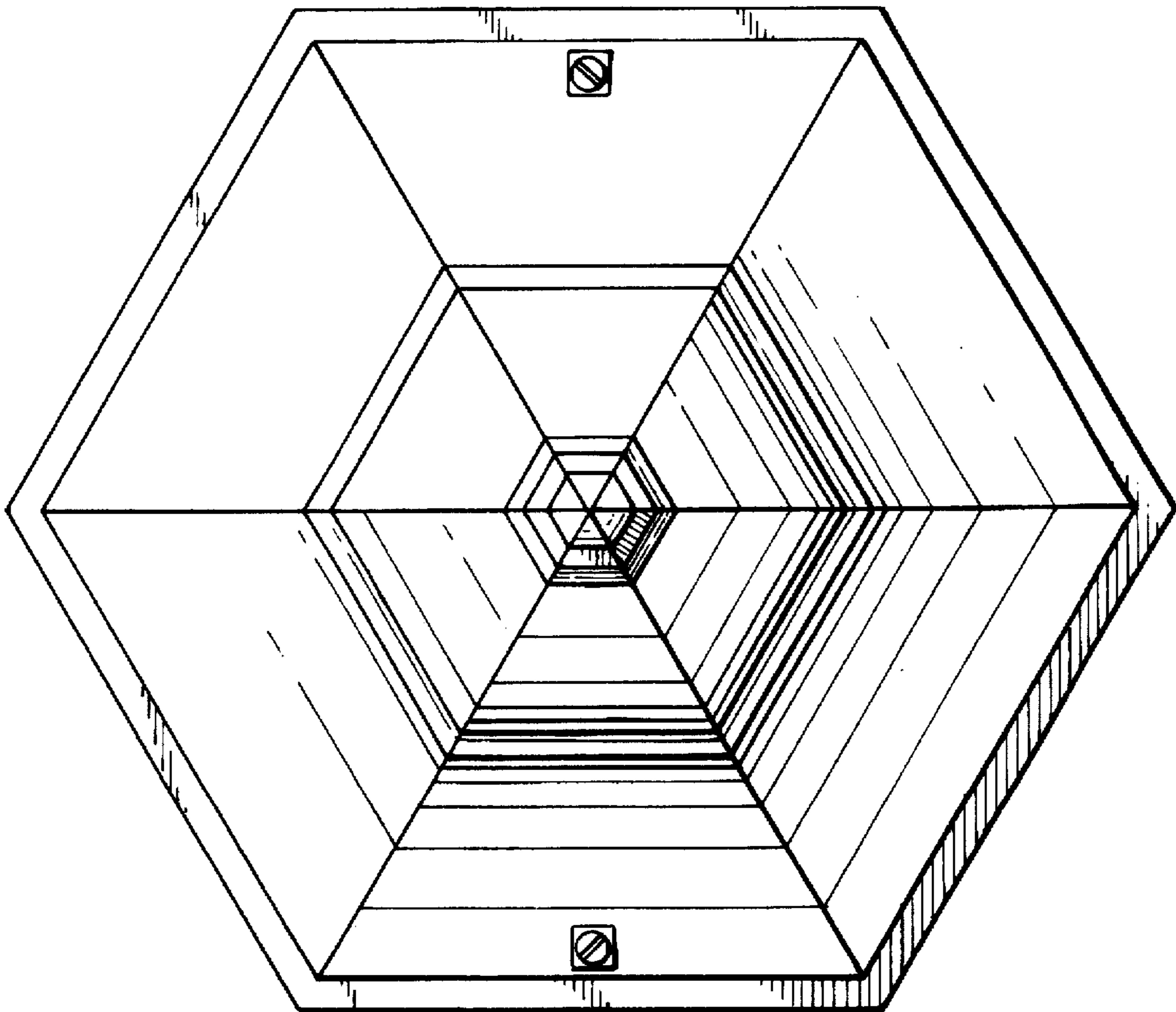


Fig.5.

