



US00D383863S

United States Patent [19] Yuen

[11] Patent Number: **Des. 383,863**
[45] Date of Patent: ****Sep. 16, 1997**

[54] FLASHLIGHT

D. 313,664 1/1991 Gibson D26/42
D. 355,040 1/1995 Dalton et al. D26/46

[75] Inventor: **John Se-Kit Yuen**, Kowloon, Hong Kong

Primary Examiner—Marcus A. Jackson
Attorney, Agent, or Firm—Fay, Sharpe, Beall, Fagan, Minnich & McKee

[73] Assignee: **John Manufacturing Limited**, Kowloon, Hong Kong

[**] Term: **14 Years**

[57] CLAIM

[21] Appl. No.: **58,392**

The ornamental design for a flashlight, as shown and described.

[22] Filed: **Aug. 14, 1996**

DESCRIPTION

[30] Foreign Application Priority Data

Feb. 21, 1996 [GB] United Kingdom 2054326

FIG. 1 is a top plan view of a flashlight showing my new design;

[51] LOC (6) Cl. **26-02**

FIG. 2 is an underneath plan view thereof;

[52] U.S. Cl. **D26/46**

FIG. 3 is a right side elevational view thereof;

[58] Field of Search D26/37-50; 362/157, 362/158, 159, 160, 161, 168, 171, 172, 173, 178, 179, 180, 183, 184, 186, 197, 198, 201-208

FIG. 4 is a left side elevational view thereof;

FIG. 5 is a front elevational view thereof;

FIG. 6 is a rear elevational thereof;

FIG. 7 is a right side elevational view showing a part in an alternative position thereof; and,

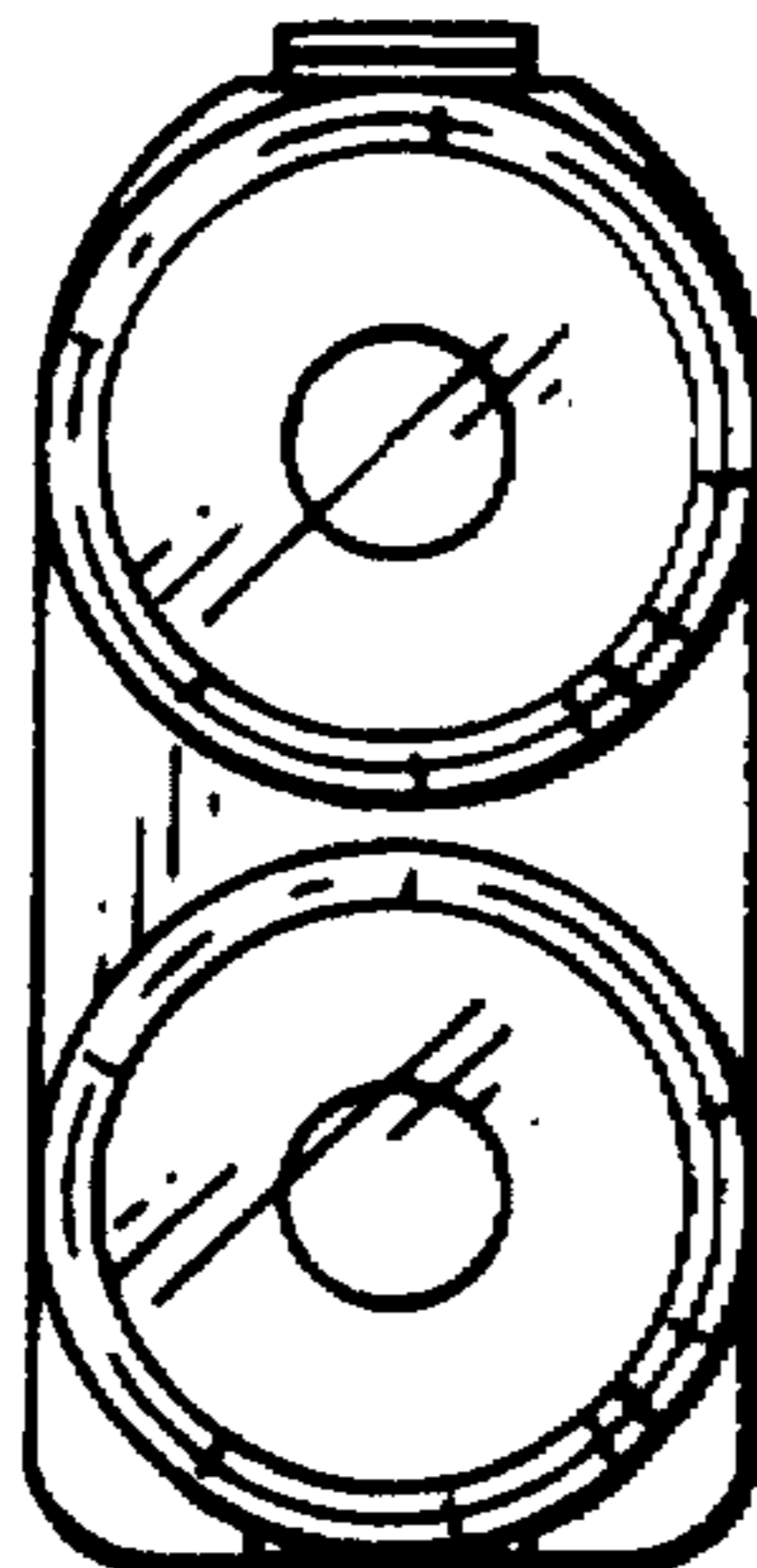
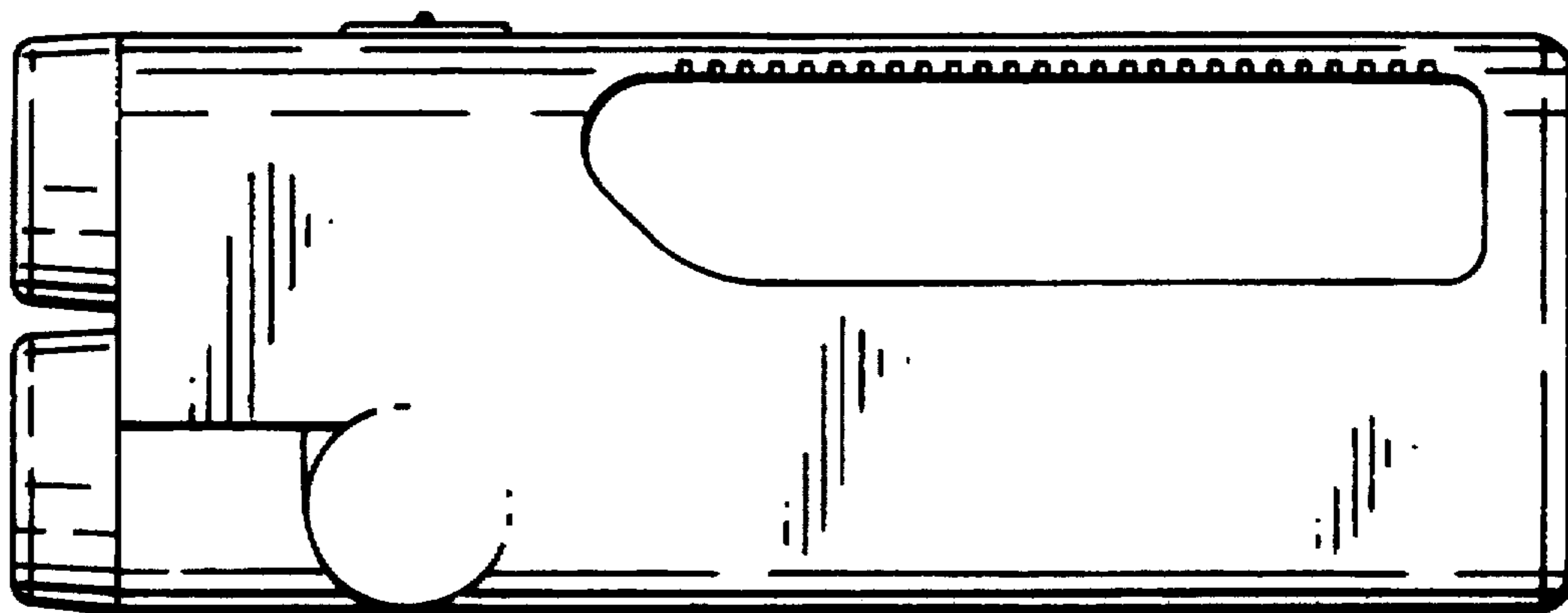
FIG. 8 is a right side elevational view showing a part in an additional alternative position.

[56] References Cited

U.S. PATENT DOCUMENTS

D. 250,141 10/1978 Teneyck et al. D26/46

1 Claim, 2 Drawing Sheets



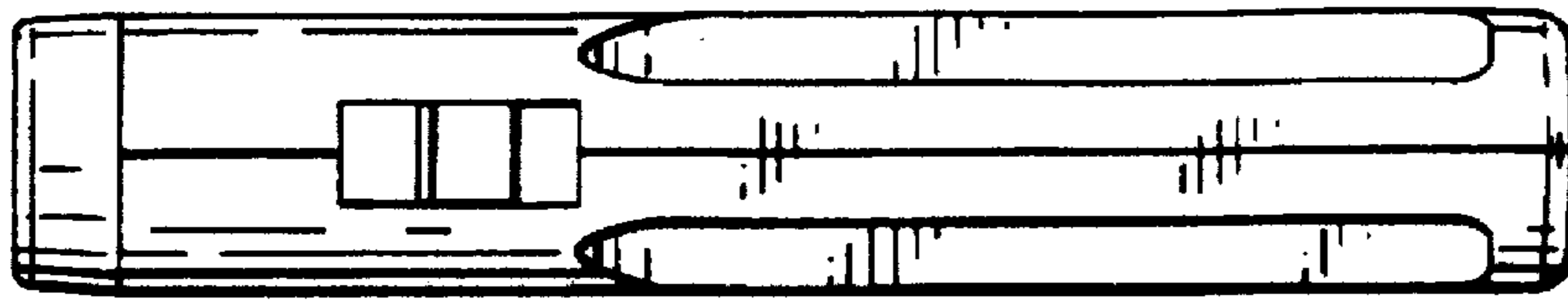


FIG. 1

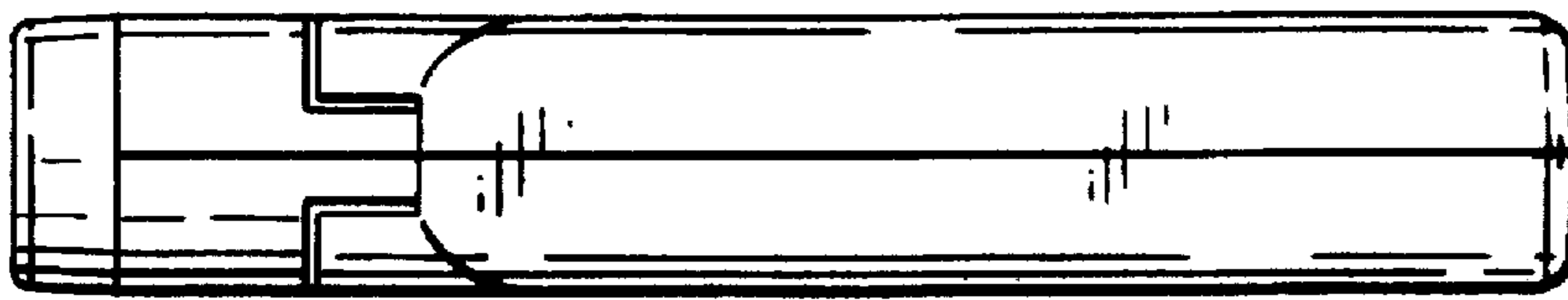


FIG. 2

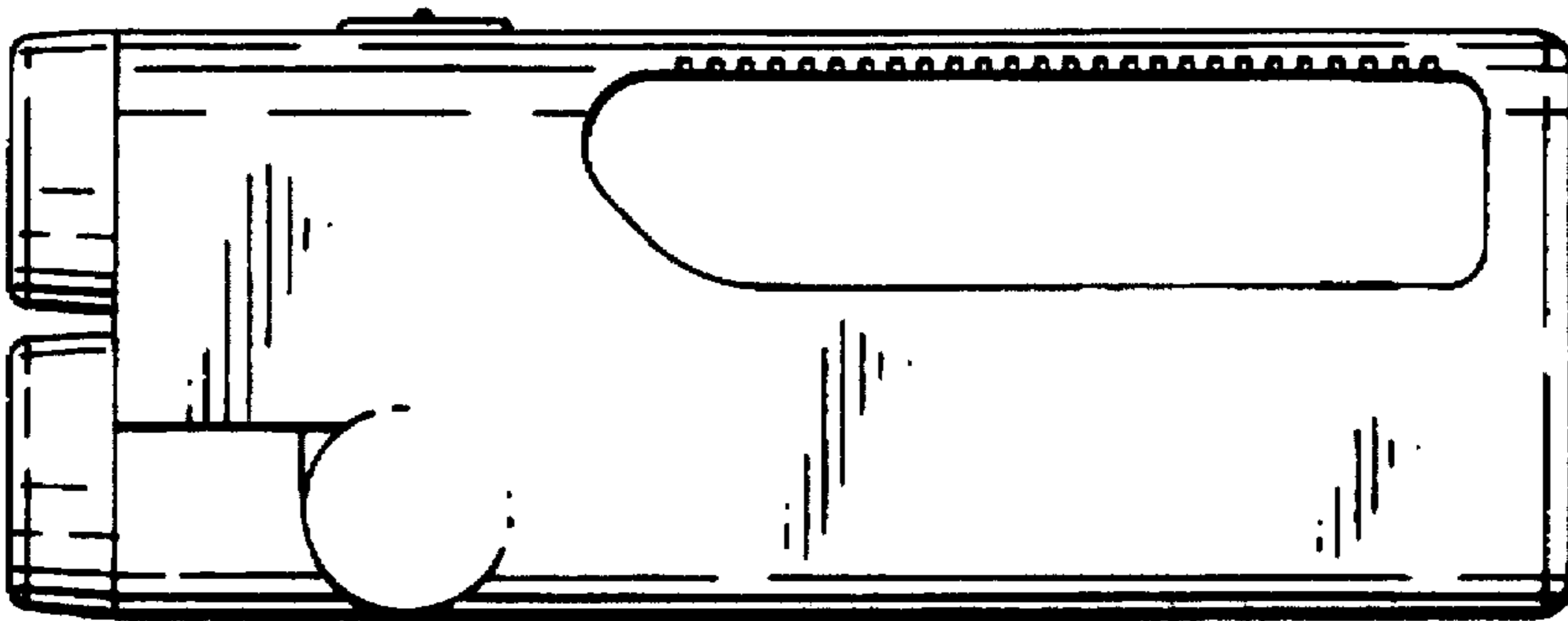


FIG. 3

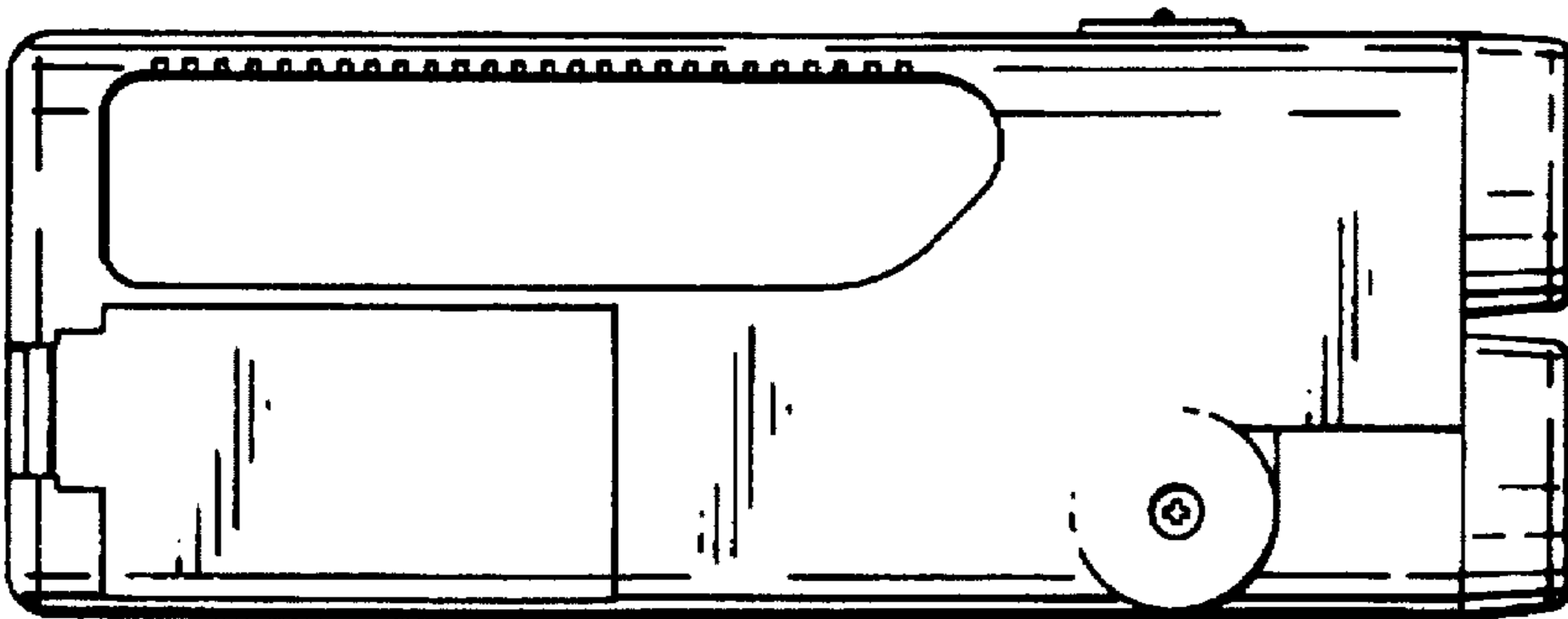


FIG. 4

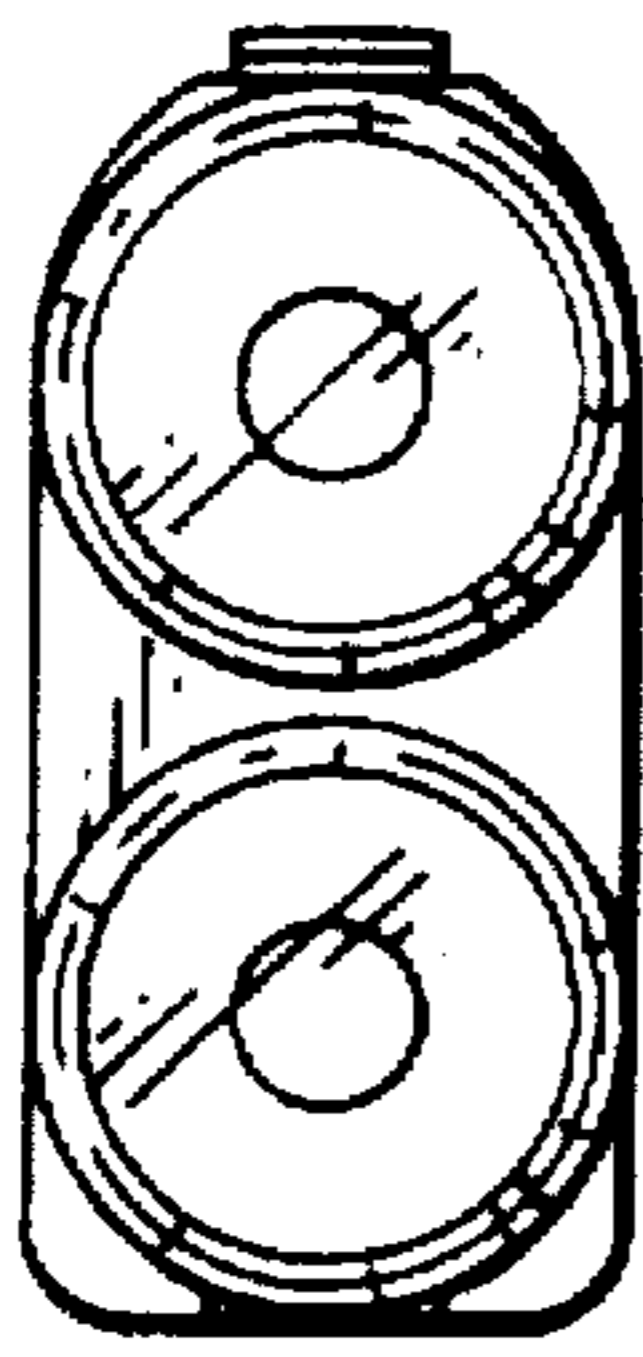


FIG. 5

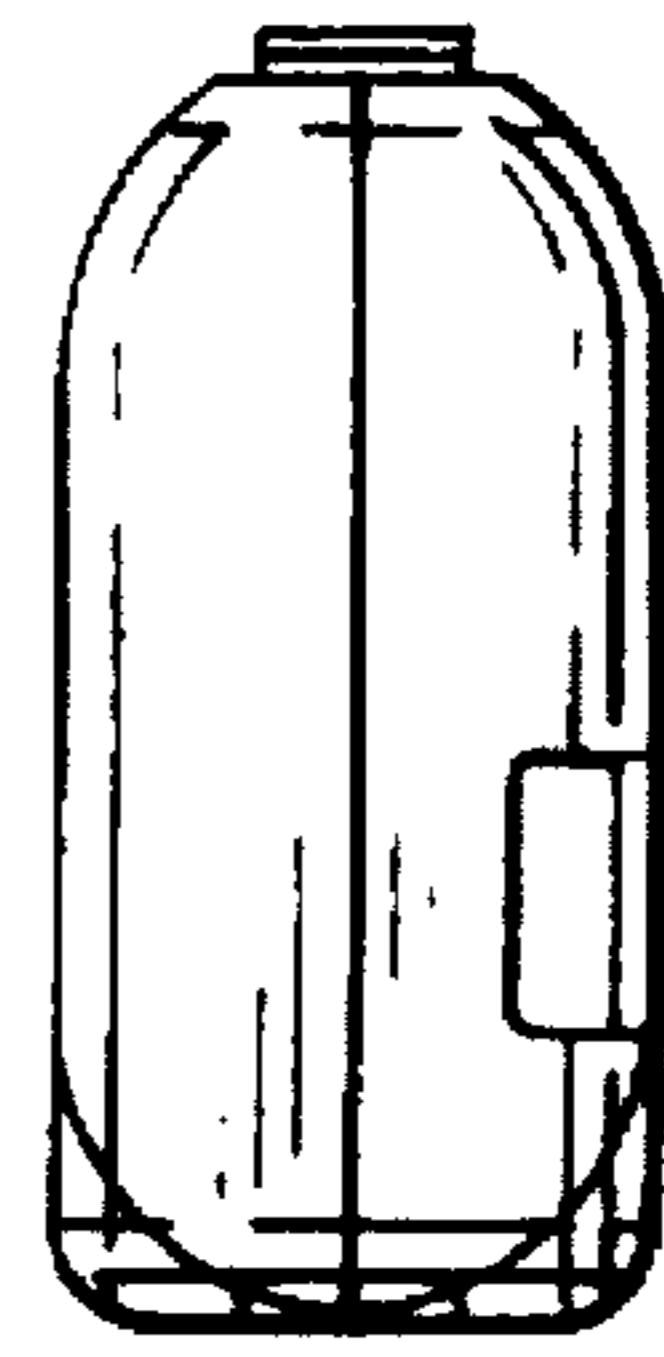


FIG. 6

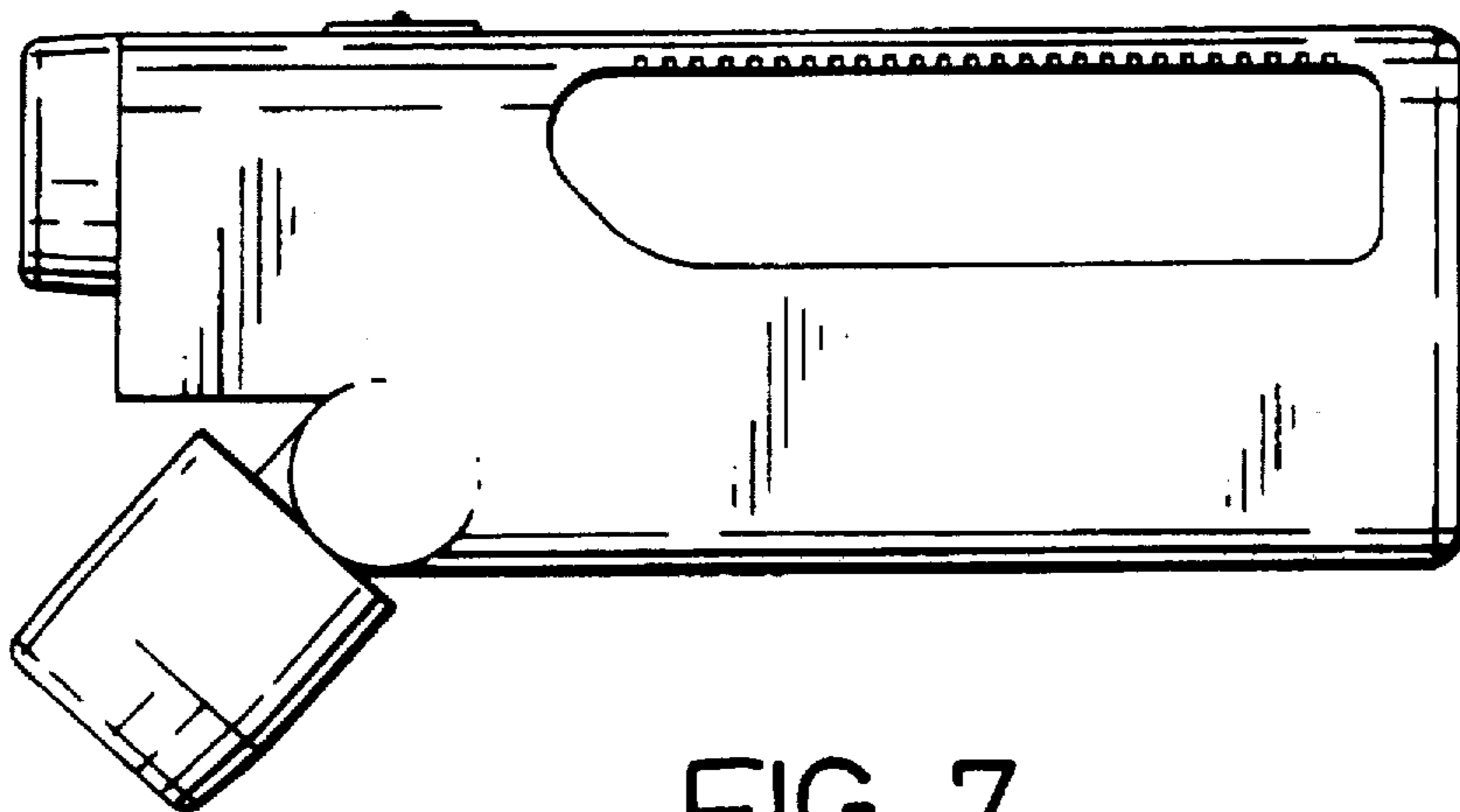


FIG. 7

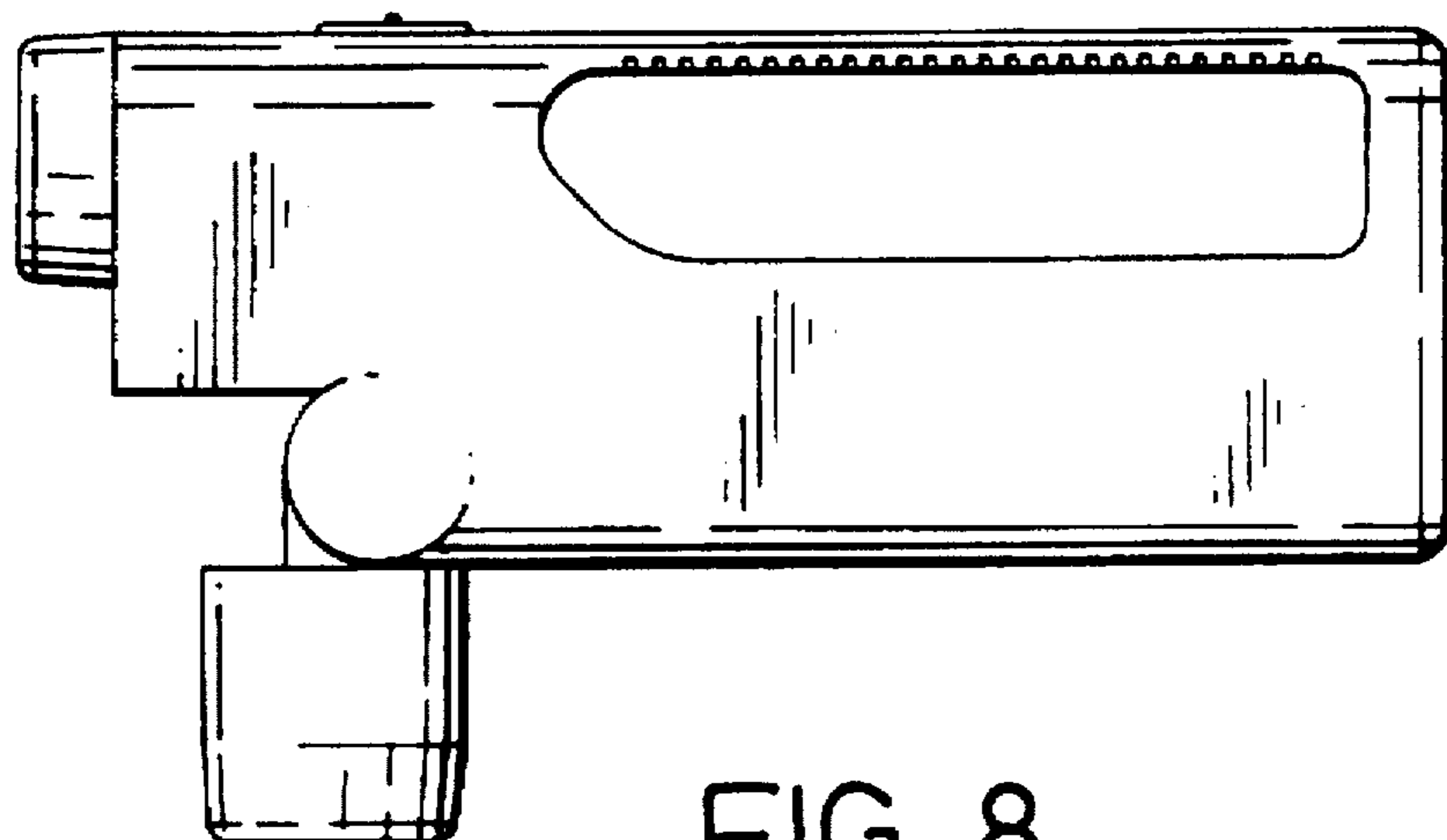


FIG. 8