



US00D383860S

**United States Patent** [19]  
**McCool**

[11] **Patent Number: Des. 383,860**

[45] **Date of Patent: \*\*Sep. 16, 1997**

[54] **MOTORCYCLE LIGHT MOUNTING BAR**

[75] **Inventor: Timothy McCool, Yorba Linda, Calif.**

[73] **Assignee: Cobra Engineering Corporation,  
Anaheim, Calif.**

[\*\*] **Term: 14 Years**

[21] **Appl. No.: 54,649**

[22] **Filed: May 17, 1996**

[51] **LOC (6) Cl. .... 26-06**

[52] **U.S. Cl. .... D26/28; D12/114**

[58] **Field of Search .... D12/114, 110,  
D12/223; D26/28, 29, 34, 36; 280/288.4;  
180/219**

[56] **References Cited**

**U.S. PATENT DOCUMENTS**

D. 343,152 1/1994 Preisler ..... D12/114

D. 370,284 5/1996 Fanchione ..... D26/28  
D. 374,295 10/1996 Fanchione ..... D12/114 X

*Primary Examiner*—Melody N. Brown  
*Attorney, Agent, or Firm*—Fulwider Patton Lee & Utecht,  
LLP

[57] **CLAIM**

The ornamental design for a motorcycle light mounting bar,  
as shown and described.

**DESCRIPTION**

FIG. 1 is a perspective view of a motorcycle light mounting  
bar showing my new design;  
FIG. 2 is a top view thereof;  
FIG. 3 is a bottom view thereof;  
FIG. 4 is a front view thereof;  
FIG. 5 is a back view thereof;  
FIG. 6 is a right end view thereof; and,  
FIG. 7 is a left, end view thereof.

**1 Claim, 2 Drawing Sheets**

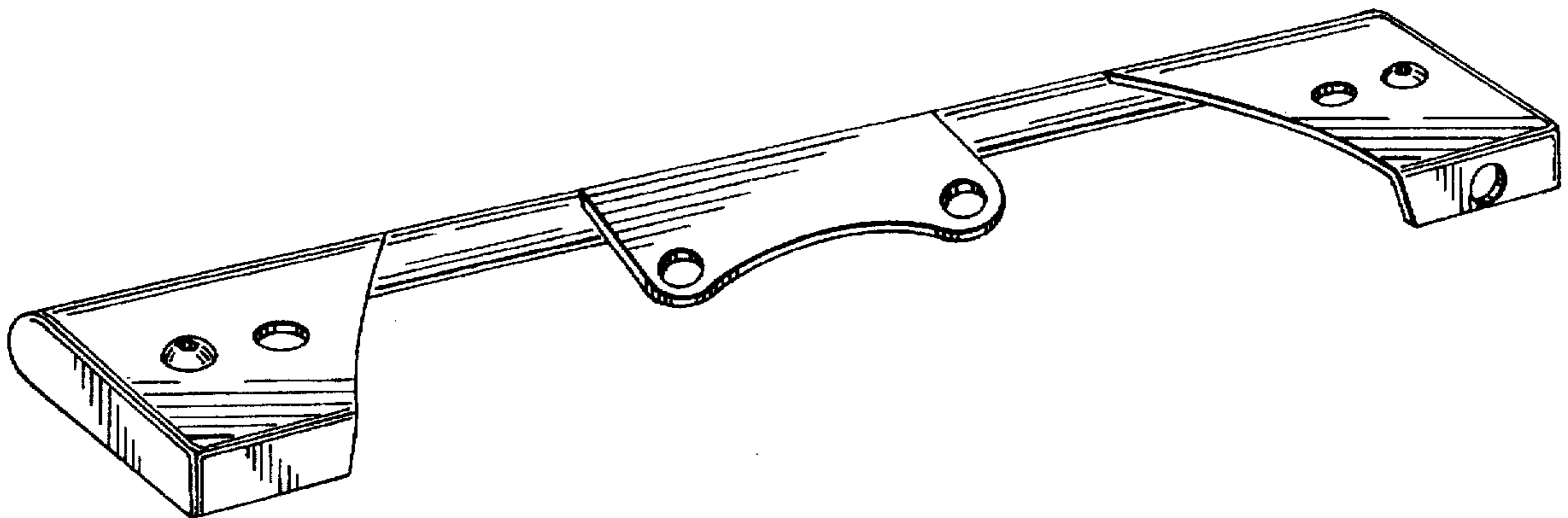


FIG. 1

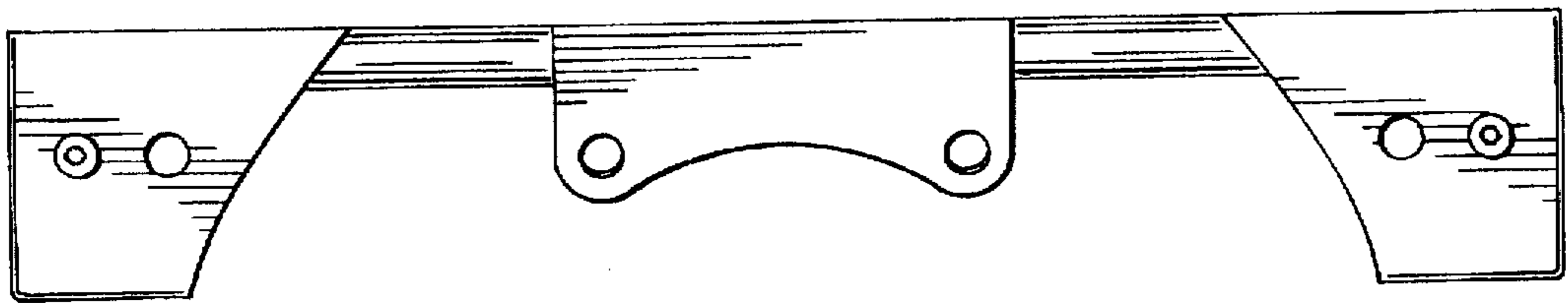
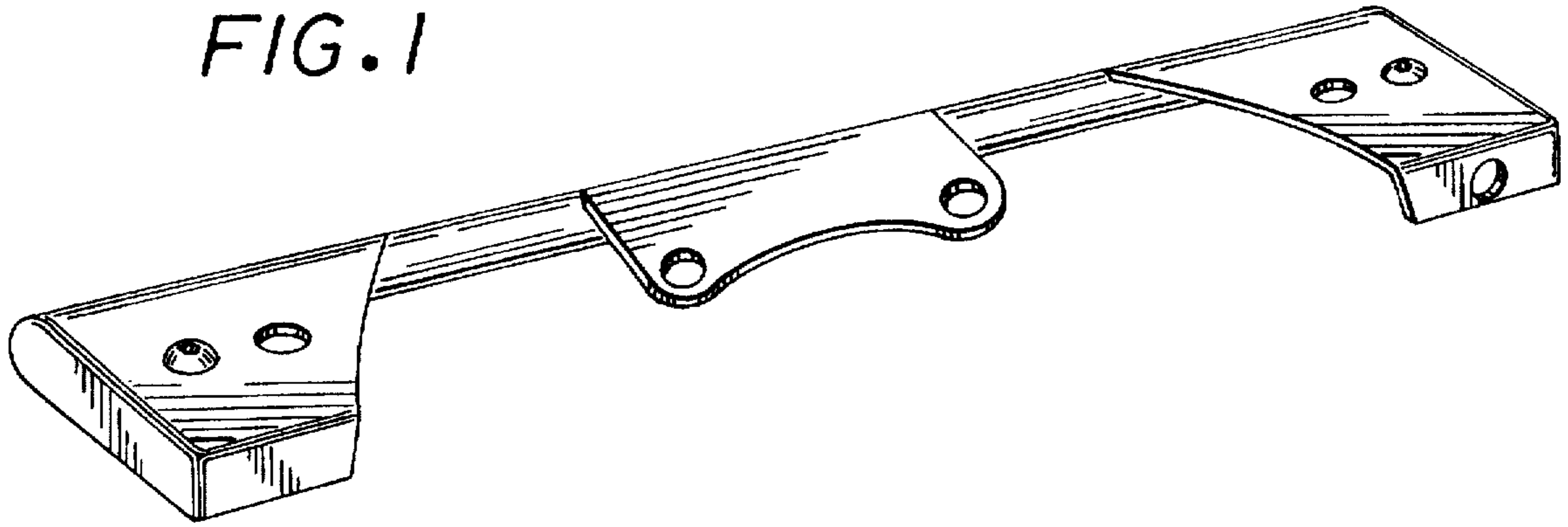


FIG. 2

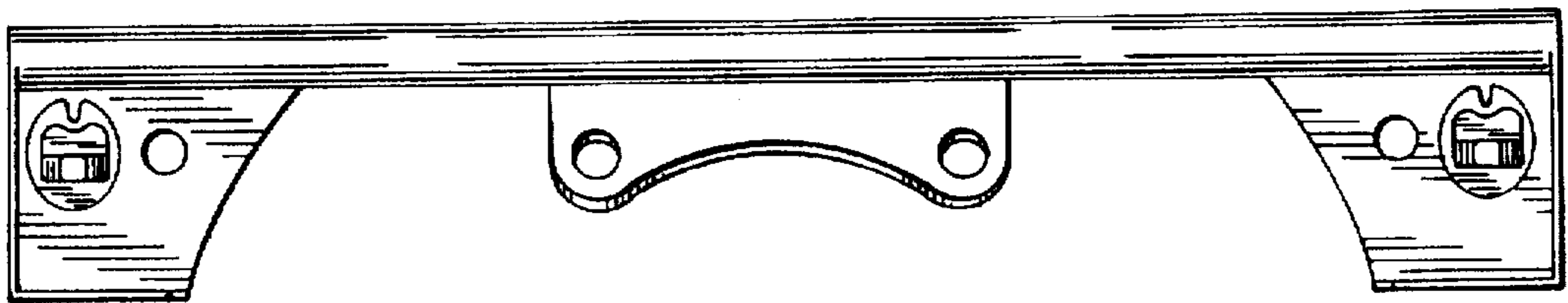


FIG. 3

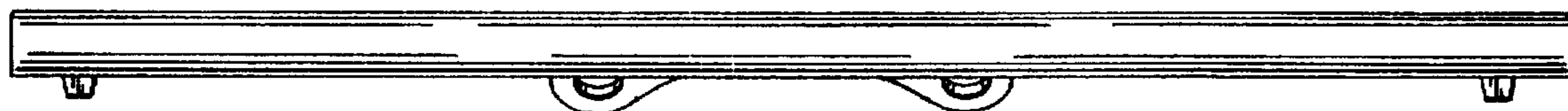


FIG. 4

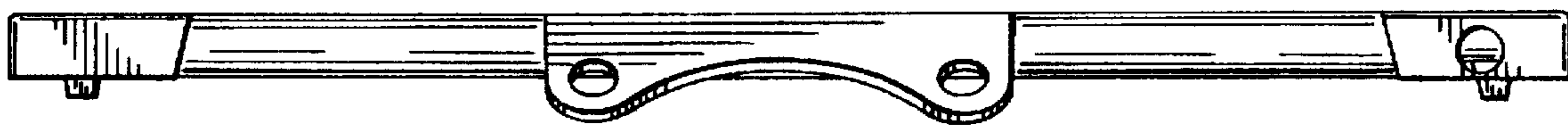


FIG. 5



FIG. 6



FIG. 7