

US00D383857S

United States Patent [19]
Ming

[11] **Patent Number:** **Des. 383,857**

[45] **Date of Patent:** ****Sep. 16, 1997**

[54] **RETAINING WALL BLOCK**

5,257,880 11/1993 Janopaul, Jr. 52/606
5,490,363 2/1996 Woolford 52/606

[76] **Inventor:** **Su Ming**, 9F., No. 46, Yet Sen Road,
Taipei, Taiwan

Primary Examiner—Raphael Barkai
Attorney, Agent, or Firm—Pro-Techtor International

[**] **Term:** **14 Years**

[57] **CLAIM**

[21] **Appl. No.:** **57,183**

The ornamental design for retaining wall block, as shown.

[22] **Filed:** **Jul. 18, 1996**

DESCRIPTION

[51] **LOC (6) Cl.** **25-01**

[52] **U.S. Cl.** **D25/115**

[58] **Field of Search** D25/113-118;
D21/108; 52/606, 608, 102; 446/117, 120,
124, 125

FIG. 1 is a perspective view of the retaining wall block showing my new design;

FIG. 2 is a sectional view thereof taken along the line 2—2 in FIG. 4;

FIG. 3 is a rear view thereof;

FIG. 4 is a top plan view thereof;

FIG. 5 is a front view thereof;

FIG. 6 is a right side view thereof;

FIG. 7 is a left side view thereof; and,

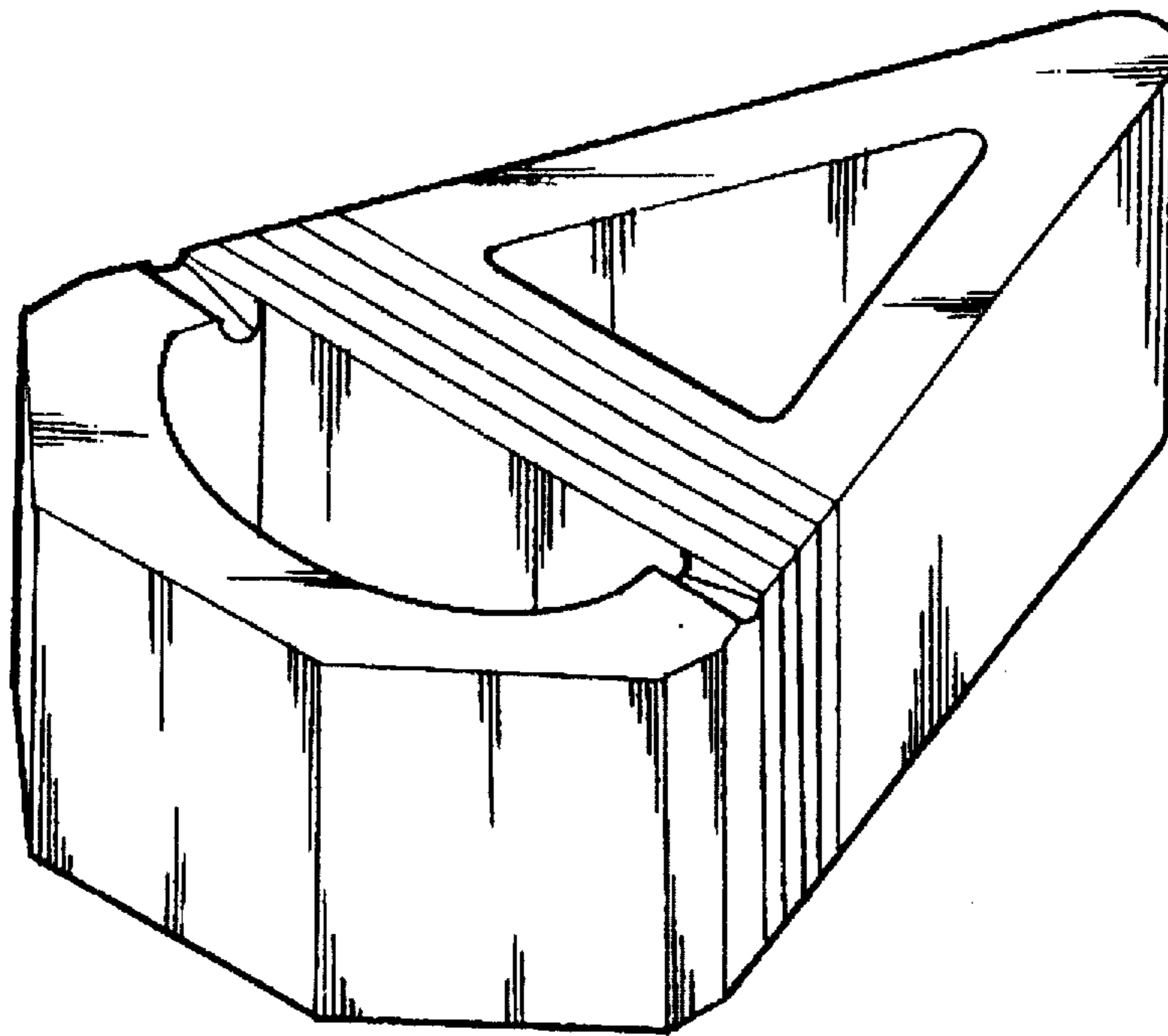
FIG. 8 is a bottom plan view thereof.

[56] **References Cited**

U.S. PATENT DOCUMENTS

D. 202,361	9/1965	Wolfe	D21/108
D. 295,788	5/1988	Forsberg	D25/113
D. 300,254	3/1989	Forsberg	D25/114

1 Claim, 3 Drawing Sheets



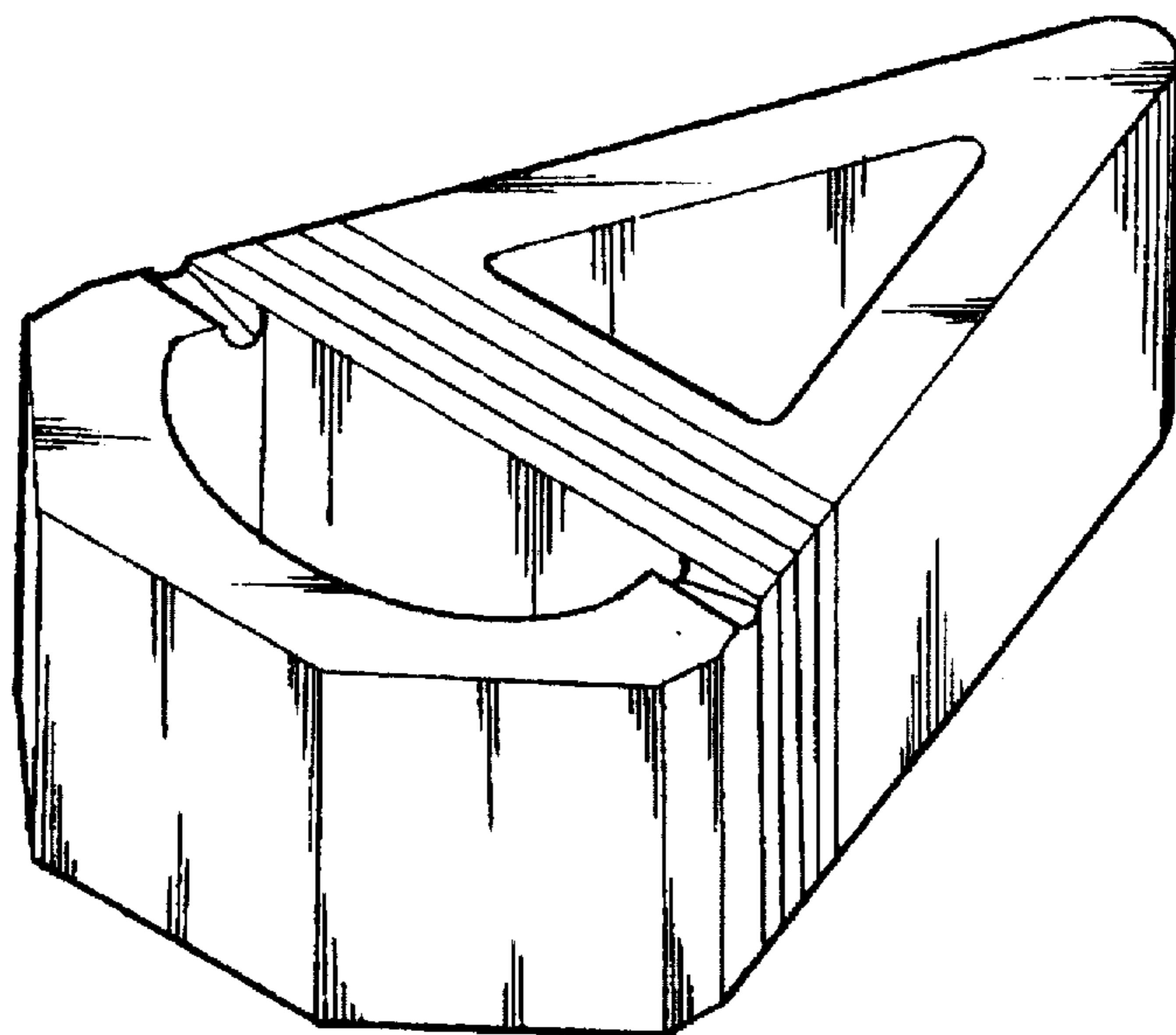


FIG. 1

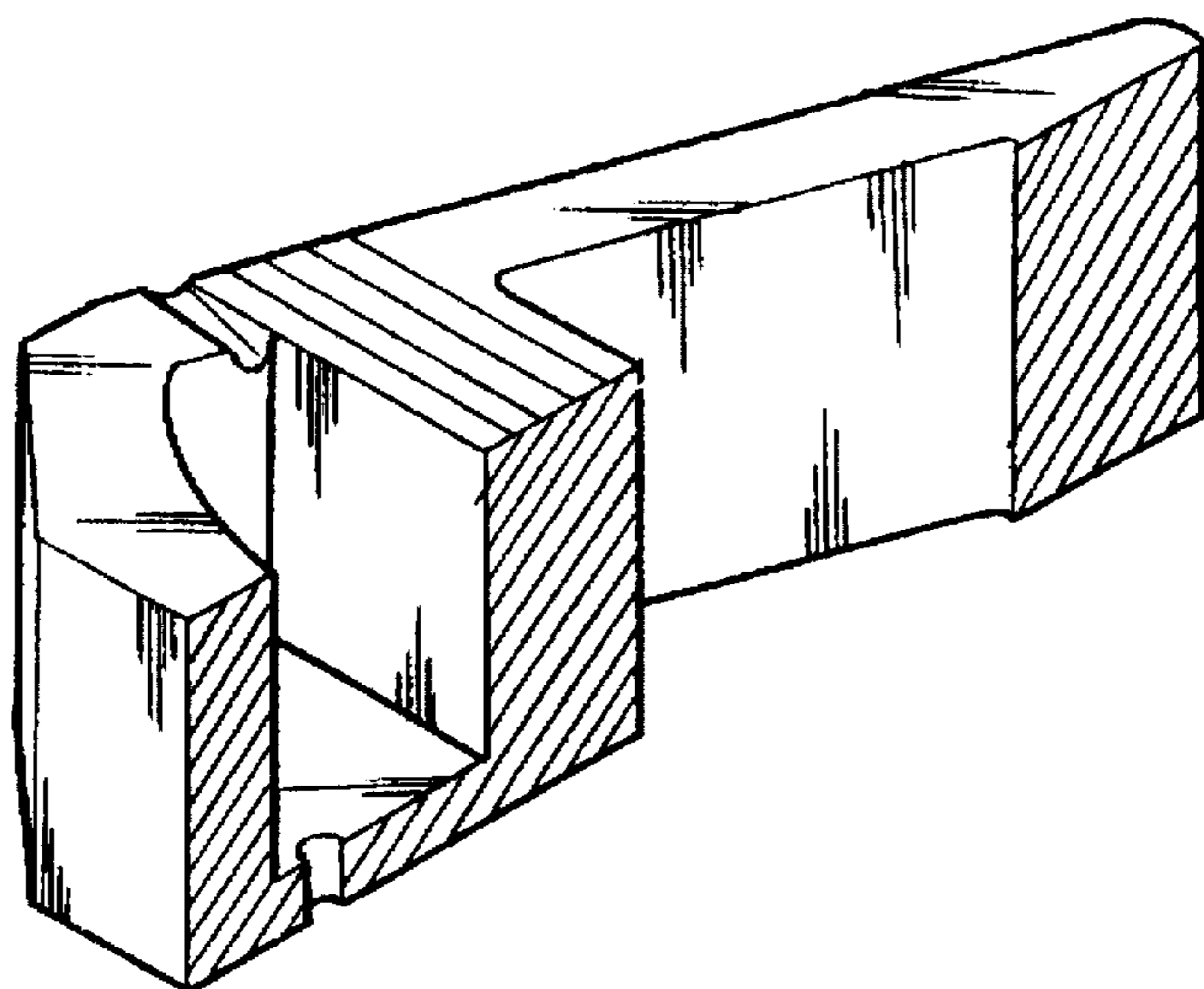


FIG. 2

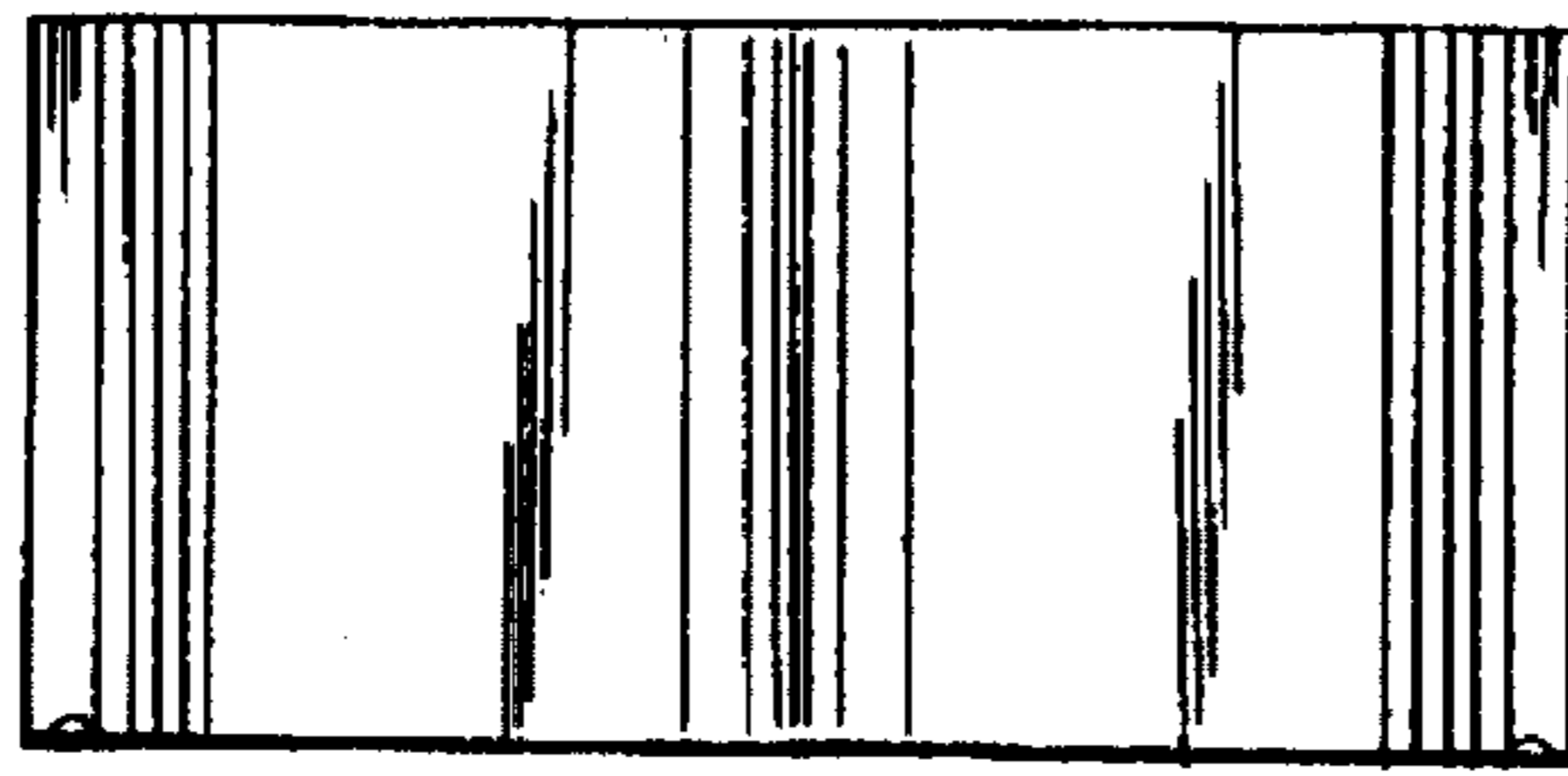
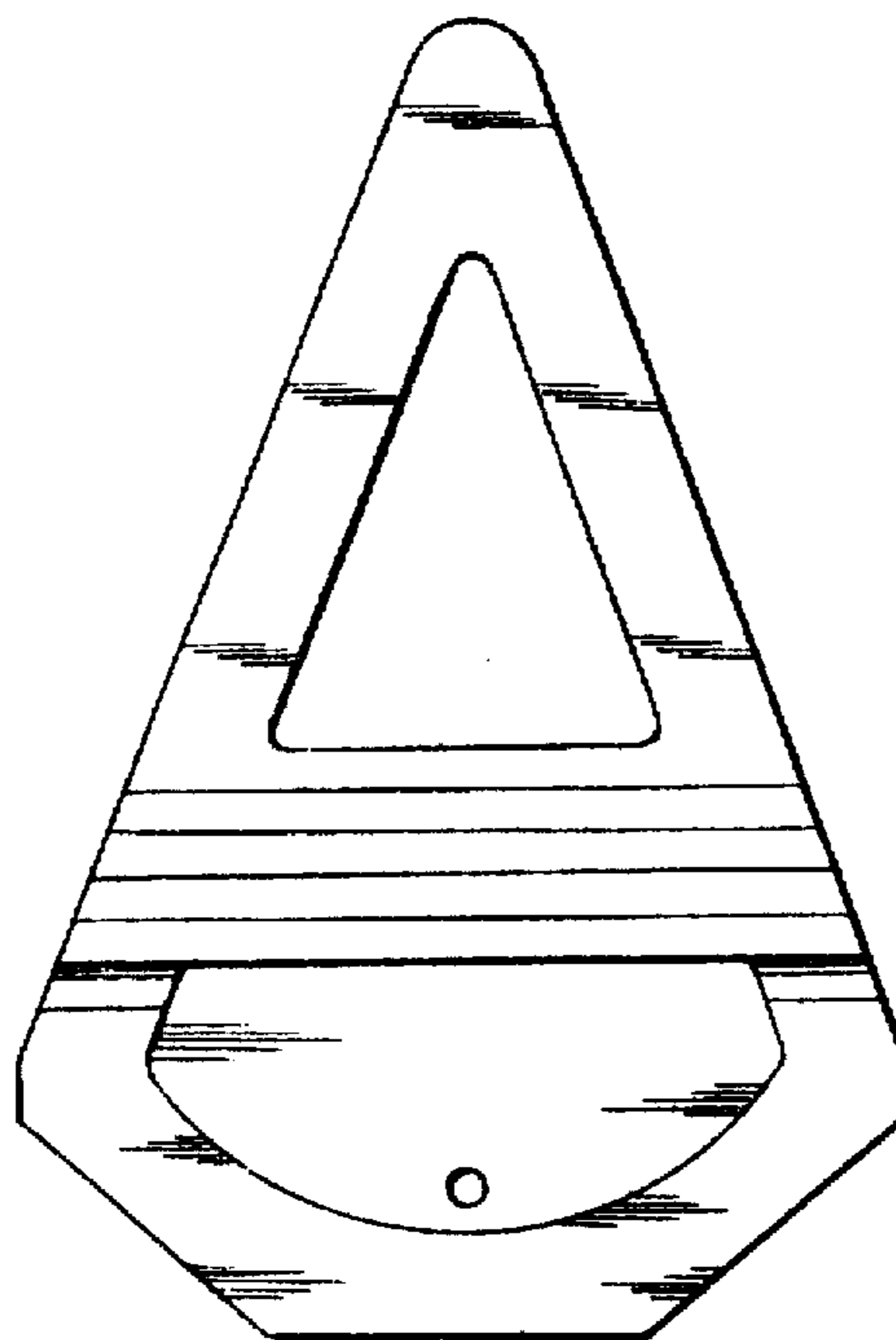


FIG.3

2-7



2-7

FIG.4

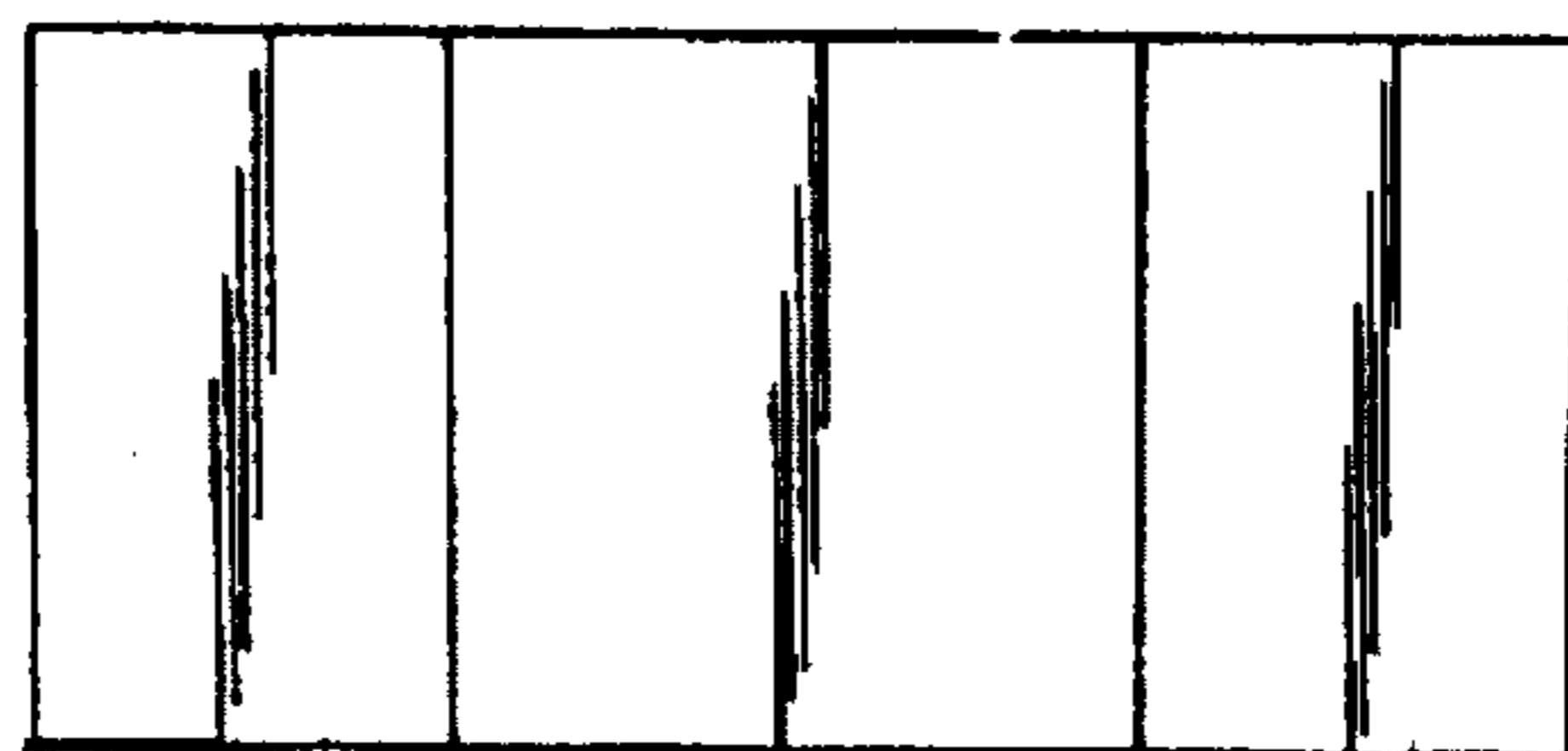


FIG.5

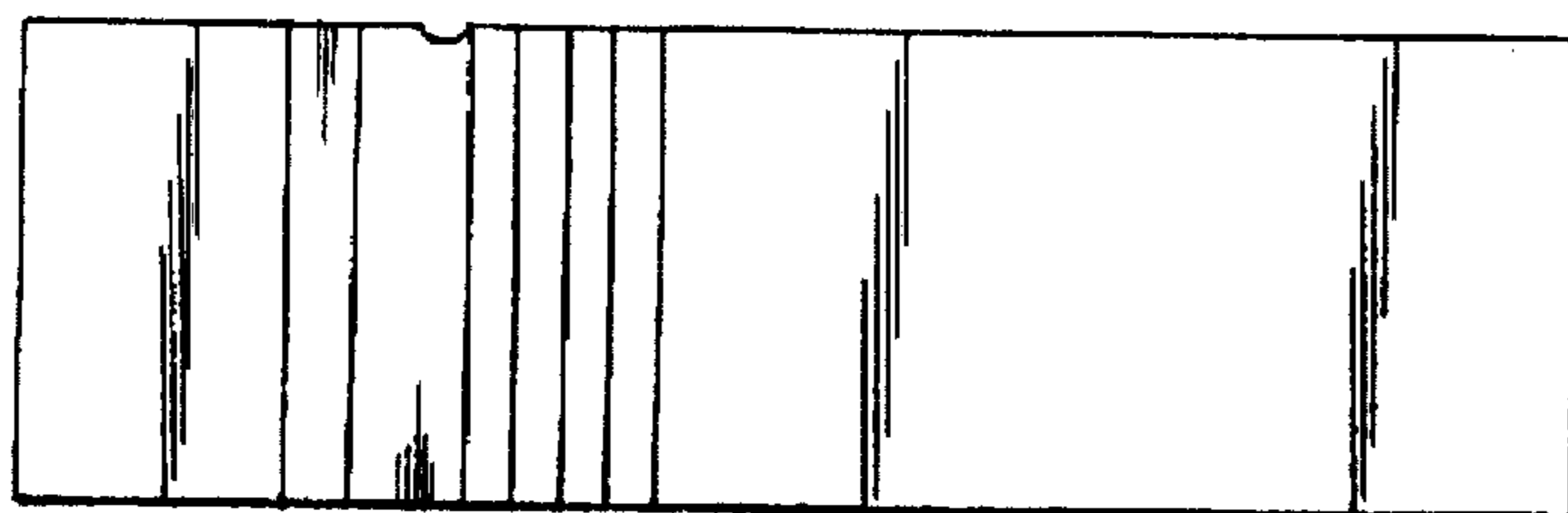


FIG. 6

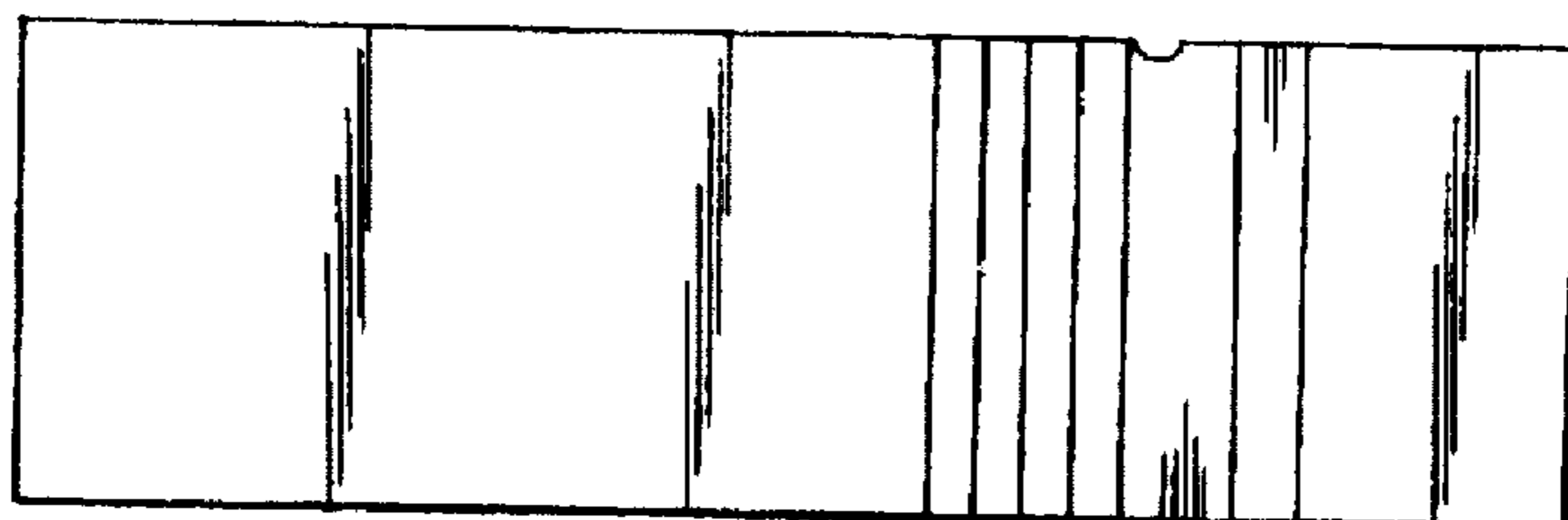


FIG. 7

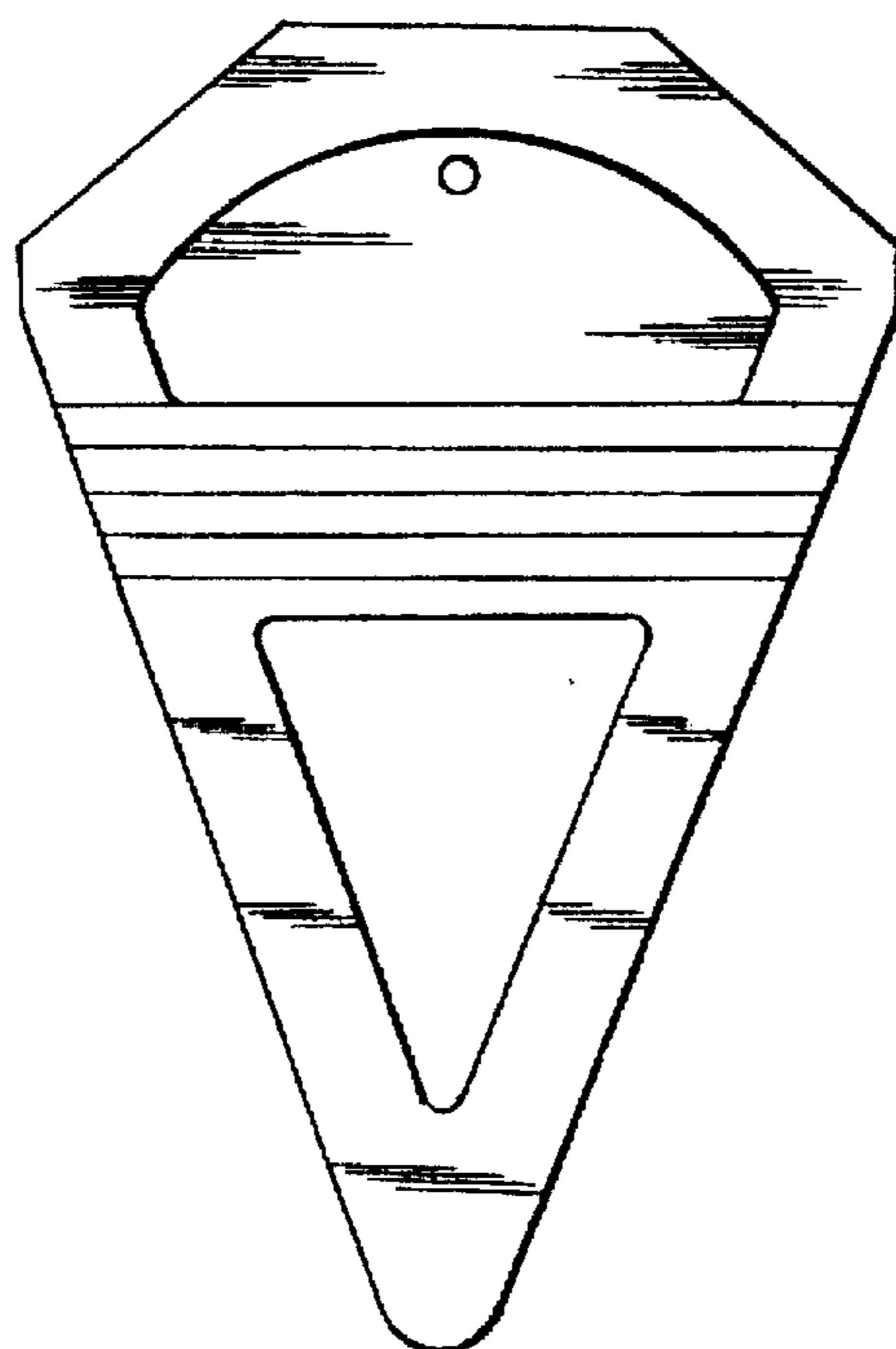


FIG. 8