



US00D383856S

United States Patent [19]
Howell

[11] **Patent Number:** **Des. 383,856**

[45] **Date of Patent:** ****Sep. 16, 1997**

[54] **SIDING TRIM MOLD**

[76] **Inventor:** Nile Howell, 1724 Mary Dr., Memphis, Tenn. 38111

[**] **Term:** 14 Years

[21] **Appl. No.:** 54,919

[22] **Filed:** May 24, 1996

[51] **LOC (6) Cl.** 25-01

[52] **U.S. Cl.** D25/102

[58] **Field of Search** D25/102; 52/278, 52/287.1, 556

[56] **References Cited**

U.S. PATENT DOCUMENTS

D. 349,166 7/1994 Beard, Jr. D25/102
4,233,786 11/1980 Hildreth 52/556

Primary Examiner—Doris Clark
Attorney, Agent, or Firm—Harold H. Dutton, Jr.; Diane F. Liebman

[57] **CLAIM**

The ornamental design for a siding trim mold, as shown.

DESCRIPTION

FIG. 1 is a perspective view of a siding trim mold showing my new design;

FIG. 2 is a top view thereof;

FIG. 3 is a bottom view thereof;

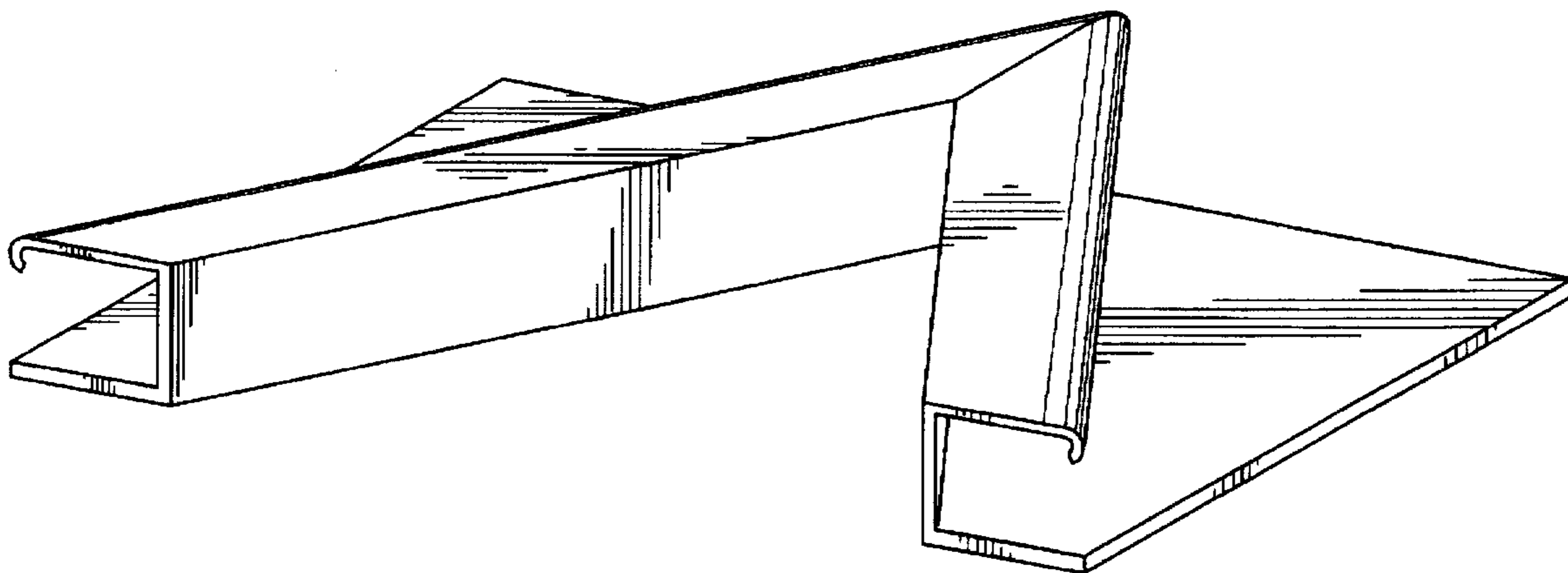
FIG. 4 is a front view thereof;

FIG. 5 is a rear view thereof;

FIG. 6 is a left view thereof; and,

FIG. 7 is a right view thereof.

1 Claim, 5 Drawing Sheets



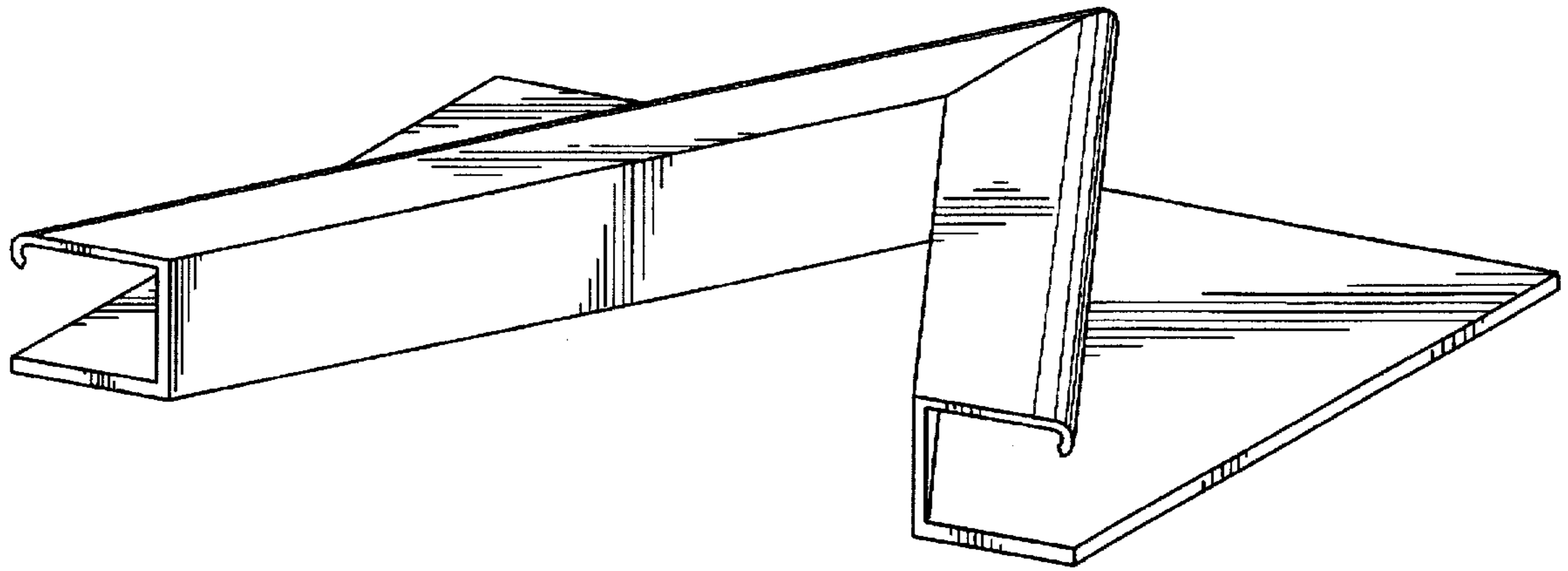


FIG. 1

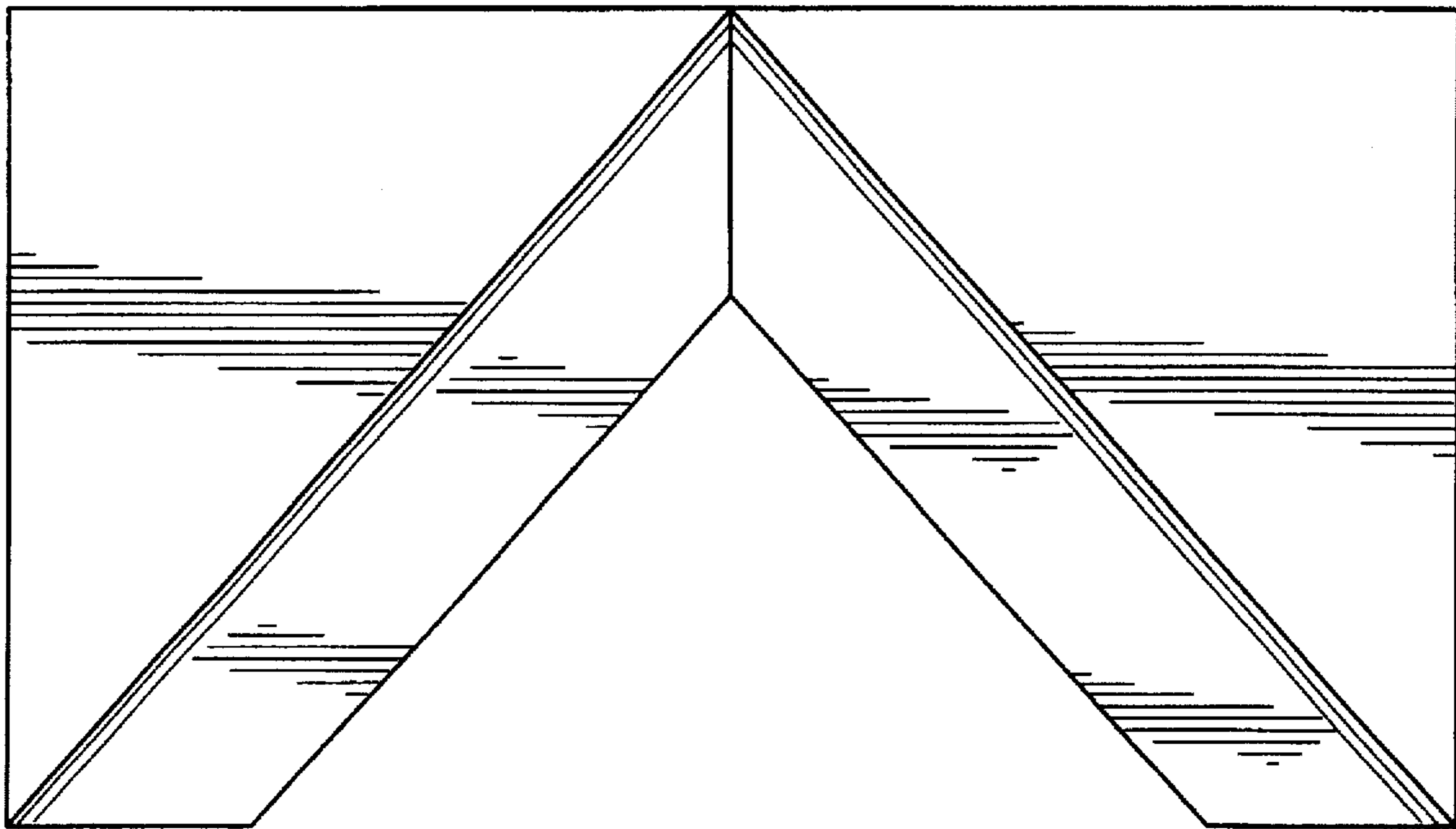


FIG. 2

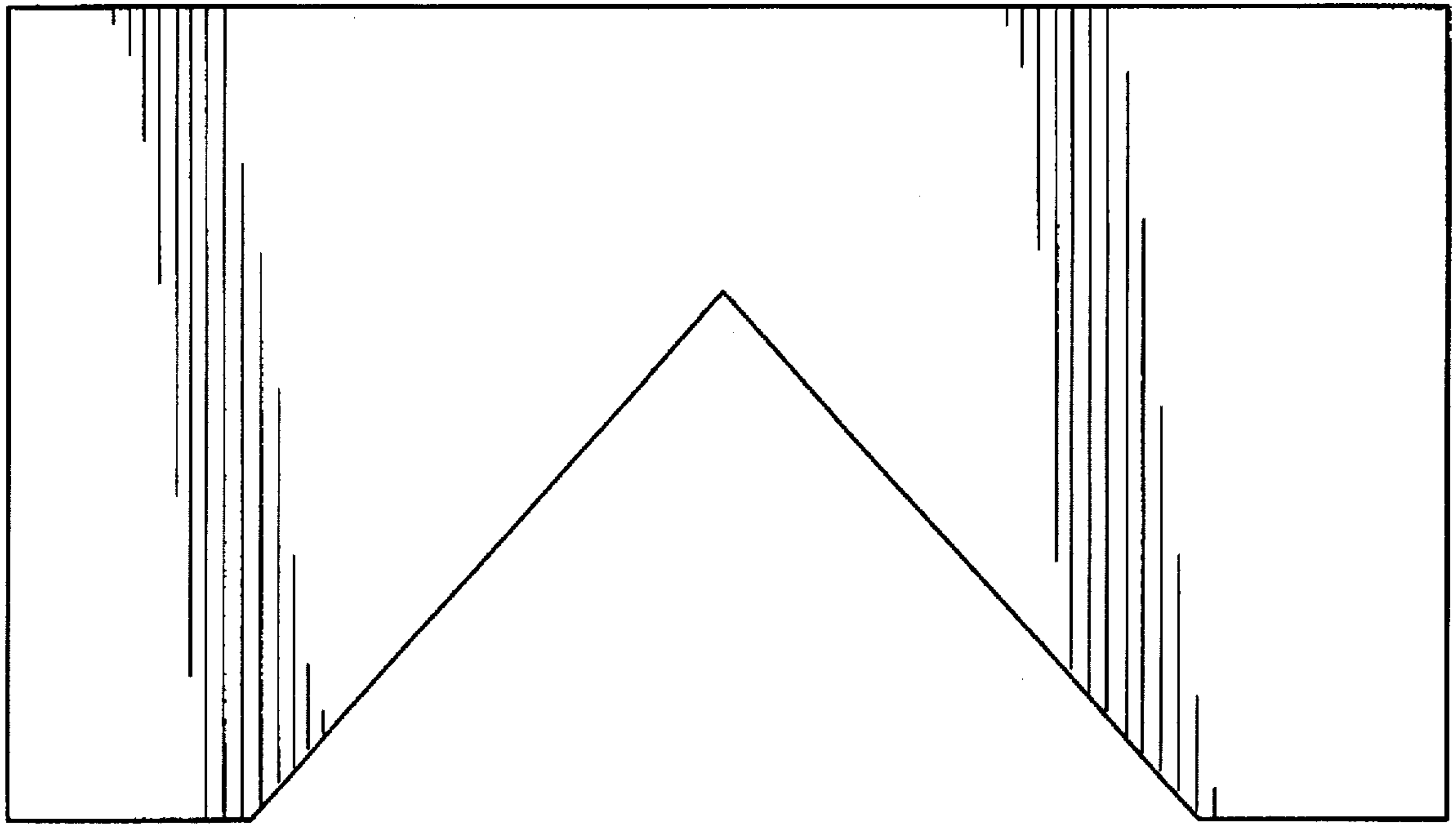


FIG. 3

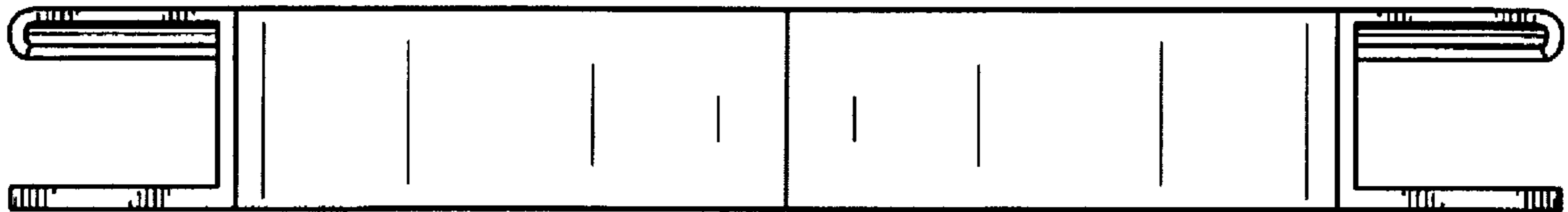


FIG. 4

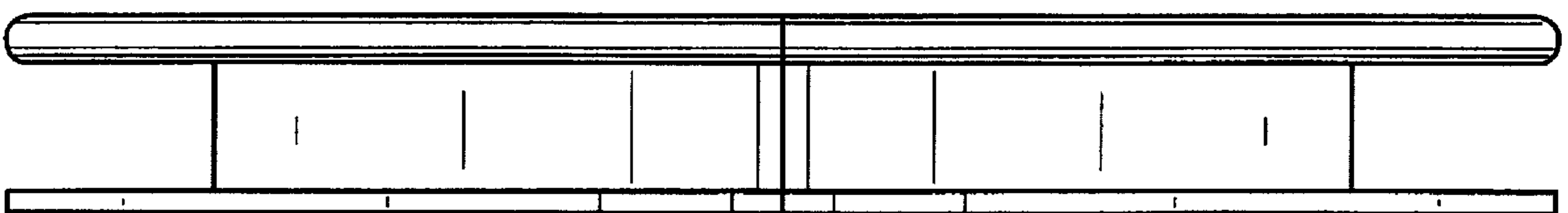


FIG. 5

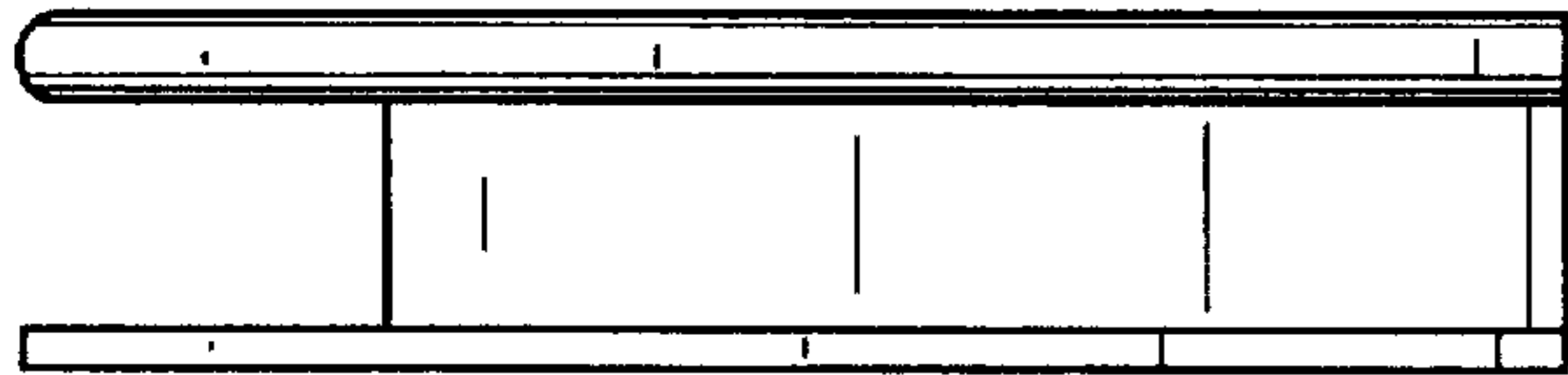


FIG. 6

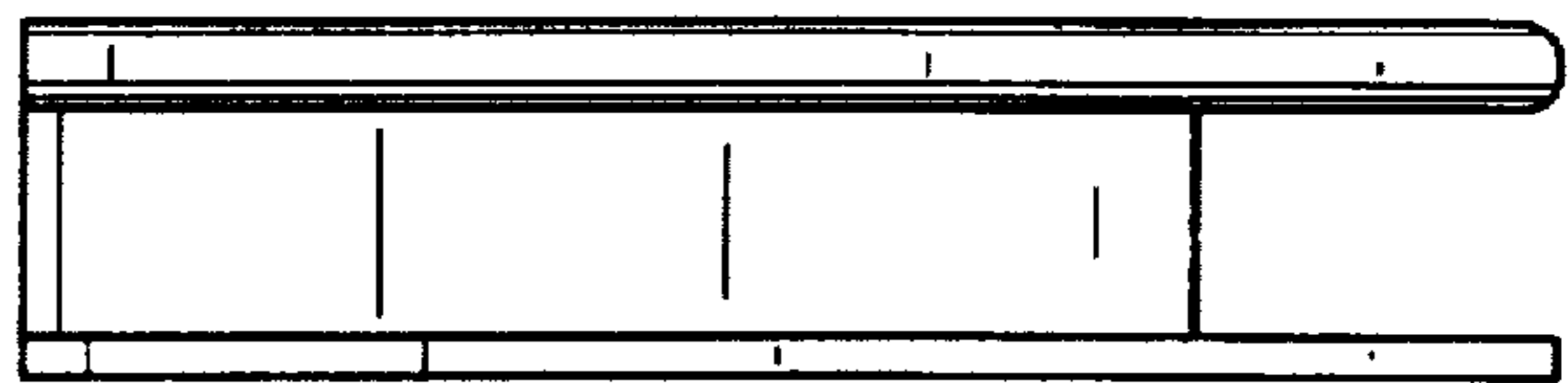


FIG. 7