

US00D383855S

# United States Patent [19]

[11] Patent Number: **Des. 383,855**

Irvine et al.

[45] Date of Patent: **\*\*Sep. 16, 1997**

[54] **COMBINED REFLECTOR AND SKYLIGHT ASSEMBLY**

[75] Inventors: **David J. Irvine**, Loma Linda, Calif.; **B. Duane Jones**, Siloam Springs, Ark.

[73] Assignee: **DayStar Sunlighting Systems, Inc.**, Fayetteville, Ark.

[\*\*] Term: **14 Years**

[21] Appl. No.: **55,519**

[22] Filed: **Jun. 6, 1996**

[51] LOC (6) Cl. .... **25-02**

[52] U.S. Cl. .... **D25/52**

[58] Field of Search ..... D25/52; 126/684, 126/685, 687, 700; 250/214, 203.4; 350/260, 96.24, 264, 258; 362/35

[56] **References Cited**

**U.S. PATENT DOCUMENTS**

D. 262,081	12/1981	Bilbrey .....	D25/52
3,709,583	1/1973	Pfannkuch et al. ....	350/260
4,114,186	9/1978	Dominguez .....	362/35
4,203,426	5/1980	Matlock et al. ....	126/425

4,246,477	1/1981	Latter .....	250/214
4,297,000	10/1981	Fries .....	350/96.24
4,349,245	9/1982	Kliman .....	350/264
4,429,952	2/1984	Dominguez .....	350/258
4,597,377	7/1986	Melamed .....	126/687
4,620,771	11/1986	Dominguez .....	350/258
4,883,340	11/1989	Dominguez .....	350/258
5,317,145	5/1994	Corio .....	250/203.4
5,374,317	12/1994	Lamb et al. ....	126/687

*Primary Examiner*—Doris Clark  
*Attorney, Agent, or Firm*—Robert R. Keegan; Head, Johnson & Kachigian

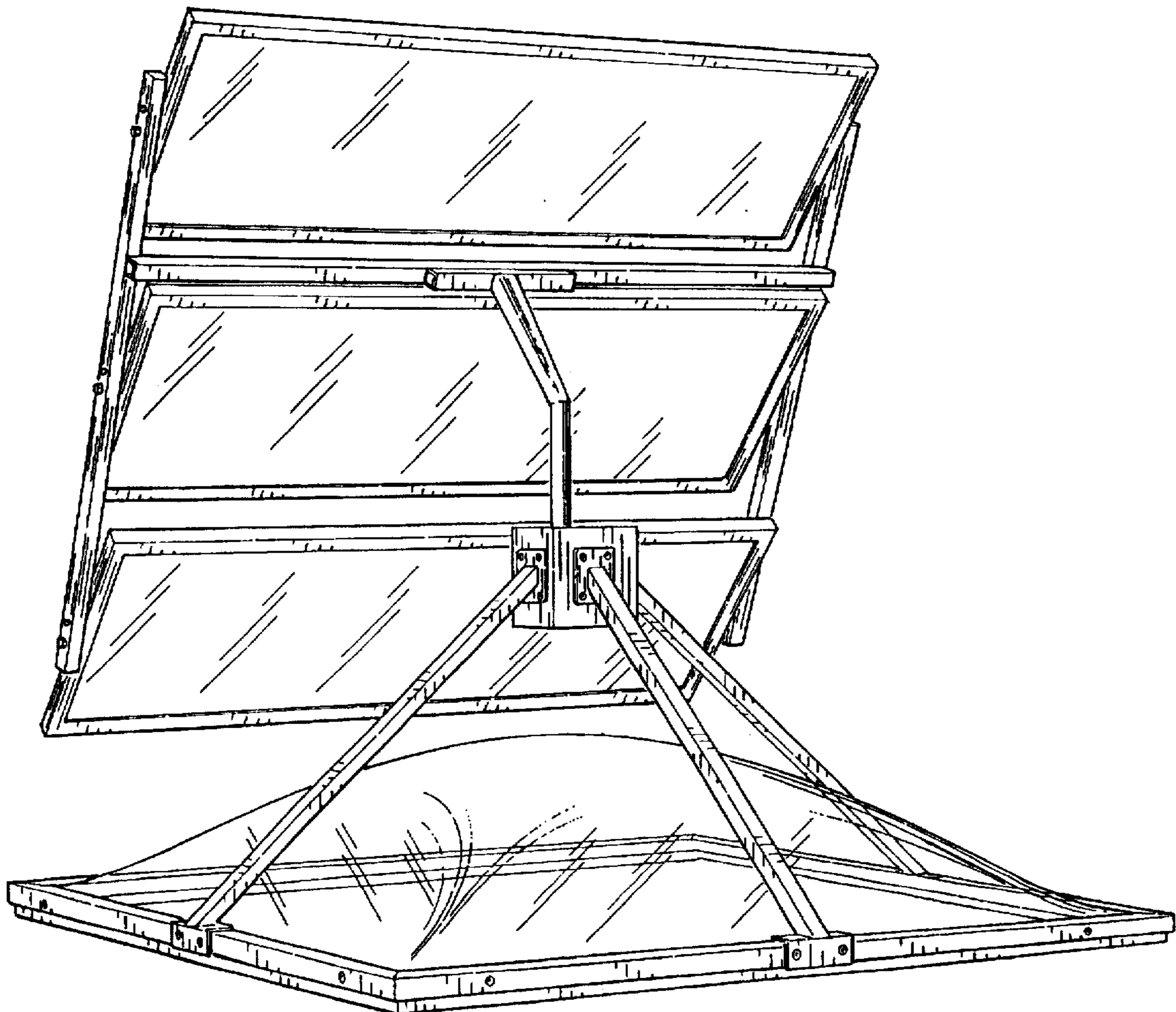
[57] **CLAIM**

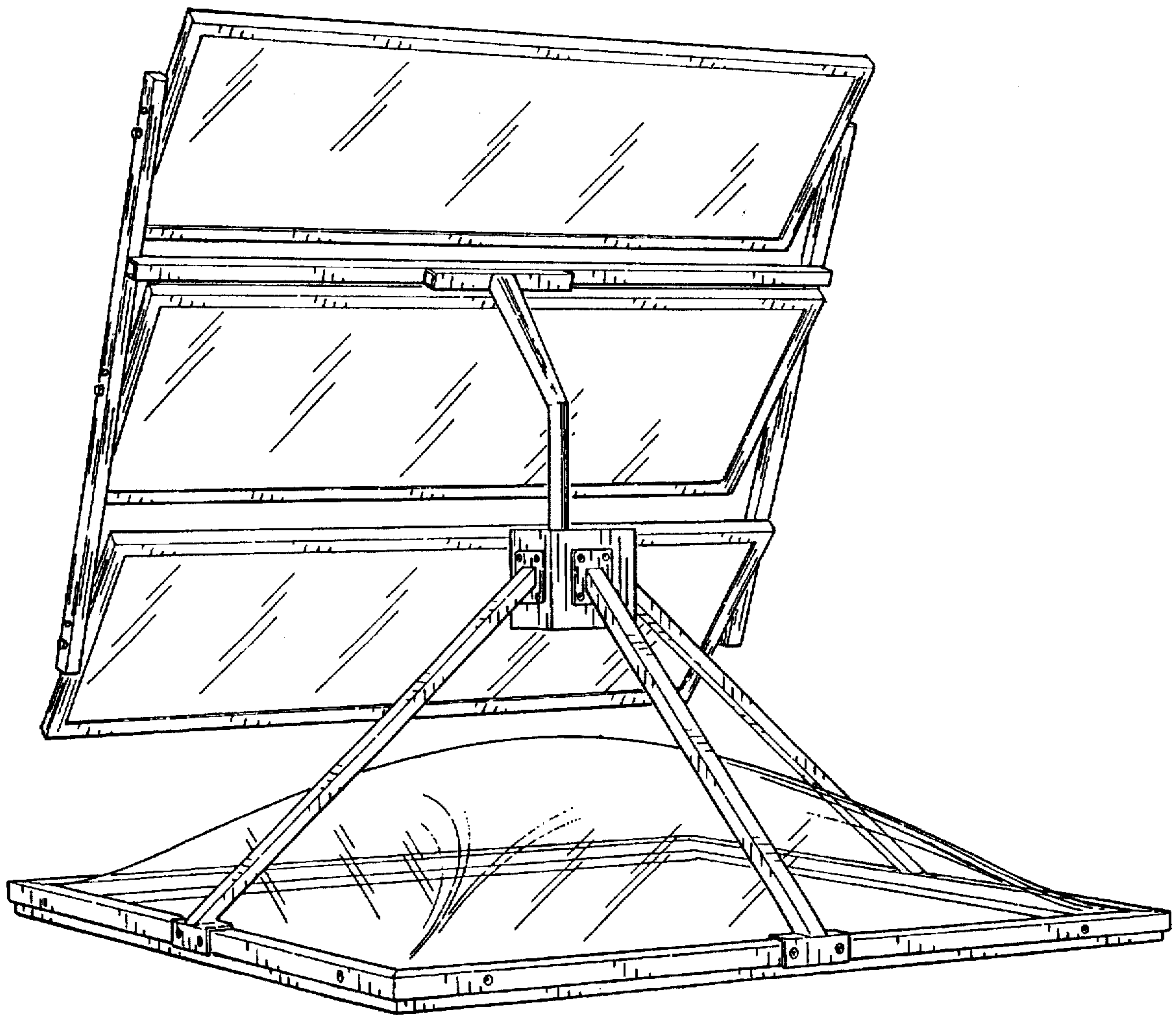
The design for a combined reflector and skylight assembly, as shown and described.

**DESCRIPTION**

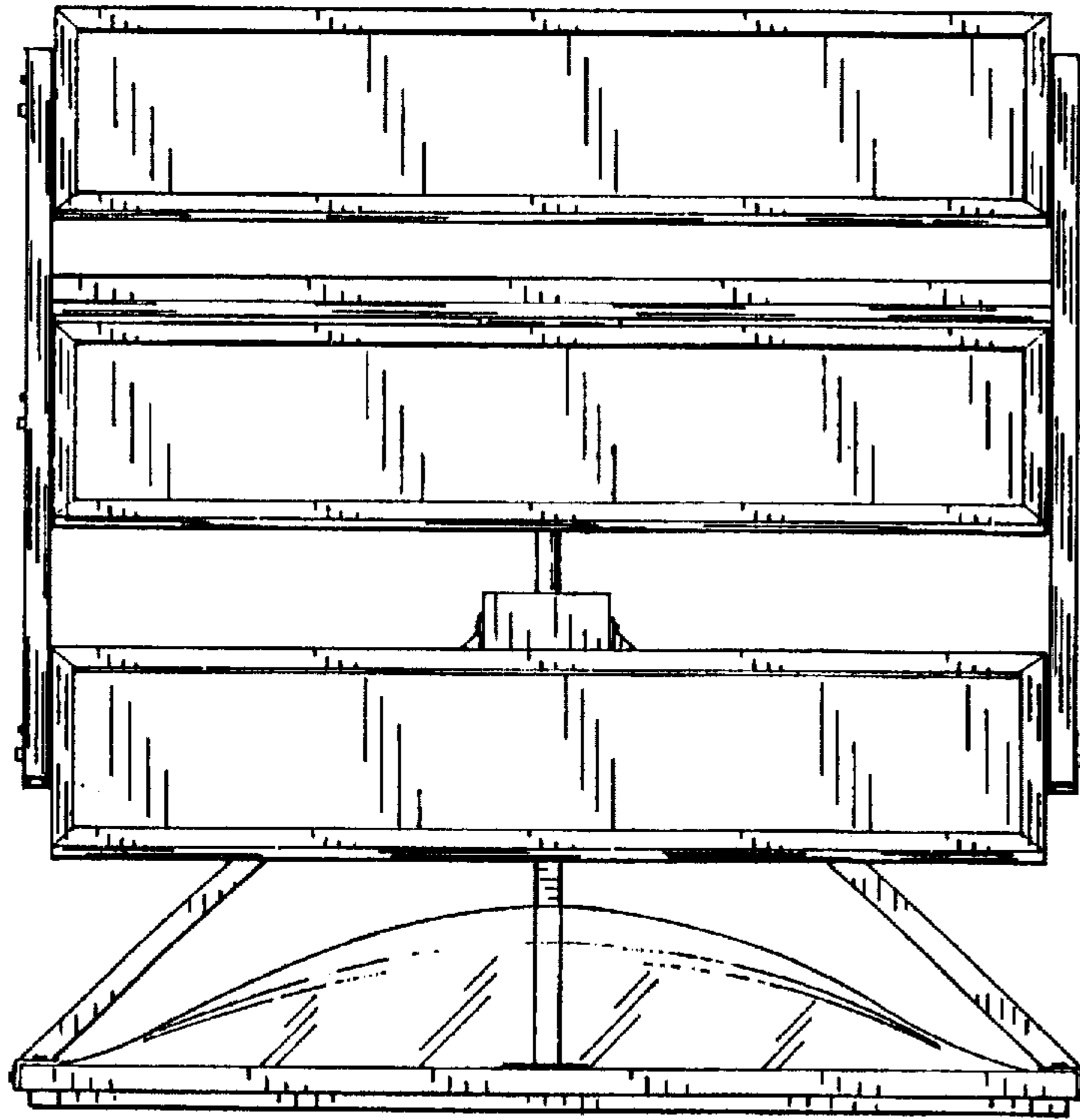
FIG. 1 is a perspective view of a combined reflector and skylight assembly showing our new design; FIG. 2 is a rear elevational view thereof; FIG. 3 is a left side elevational view thereof, the right side being a mirror image thereof; FIG. 4 is a top plan view thereof; and, FIG. 5 is a bottom plan view thereof.

**1 Claim, 3 Drawing Sheets**

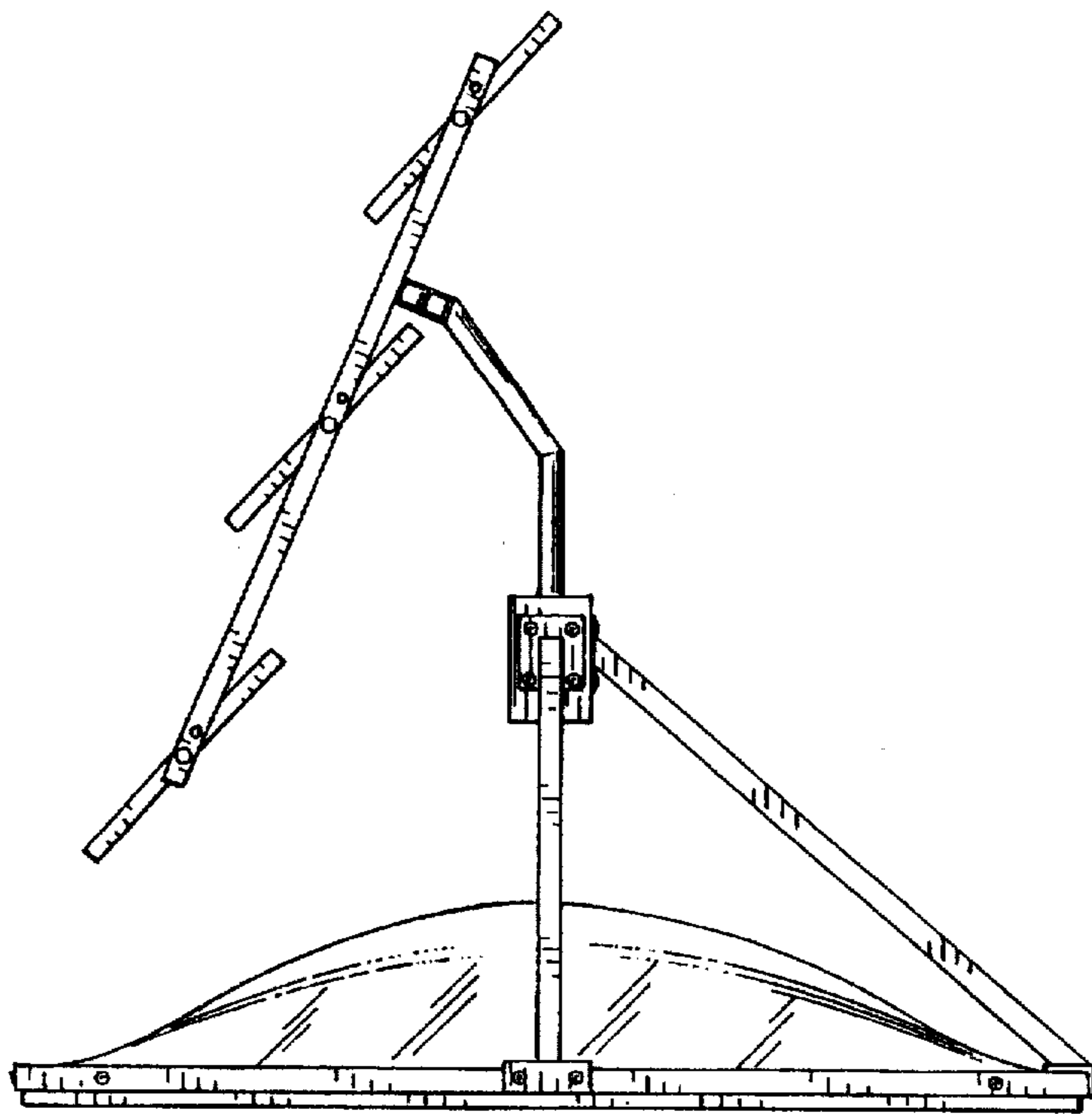




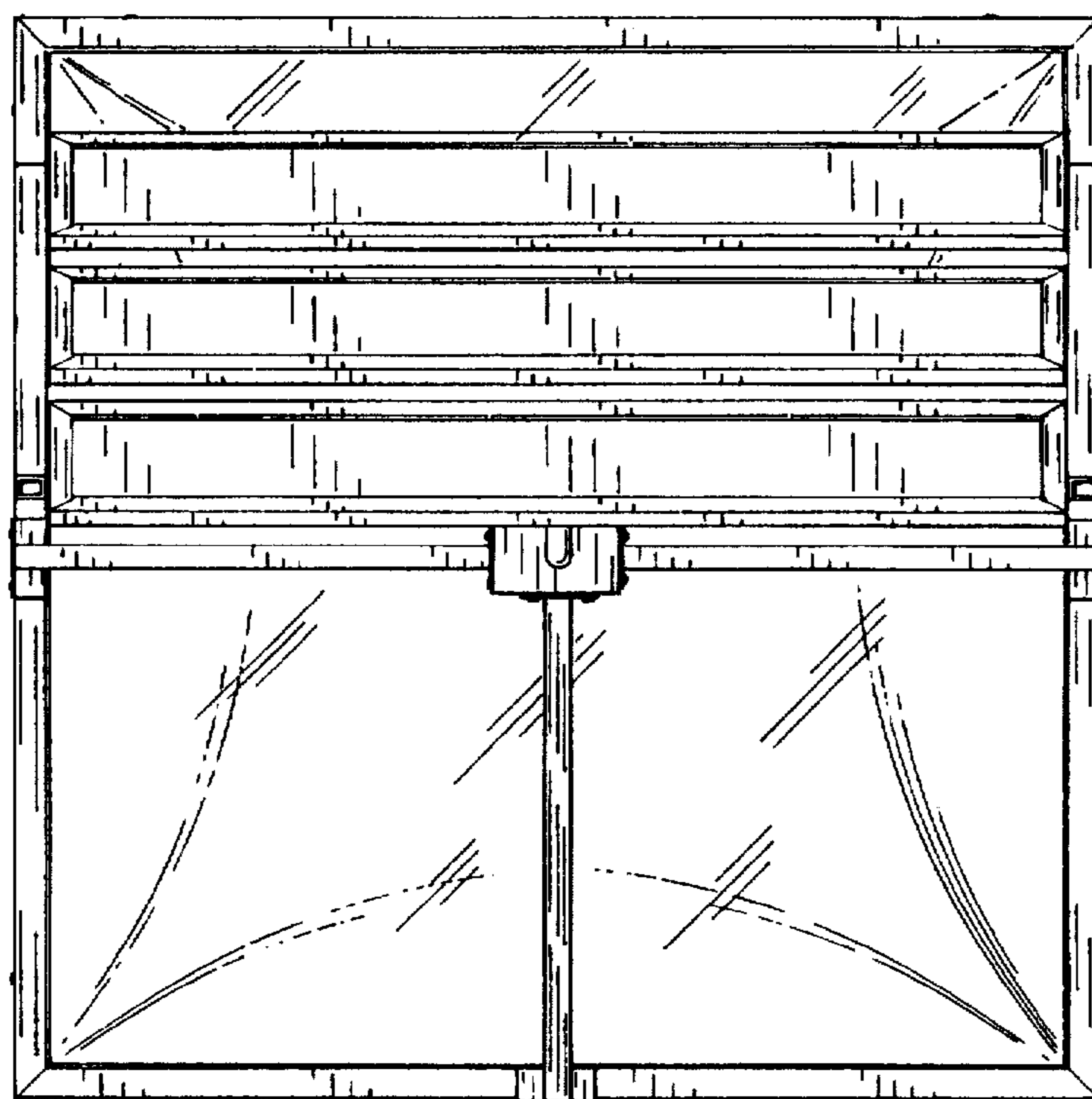
*FIG. 1*



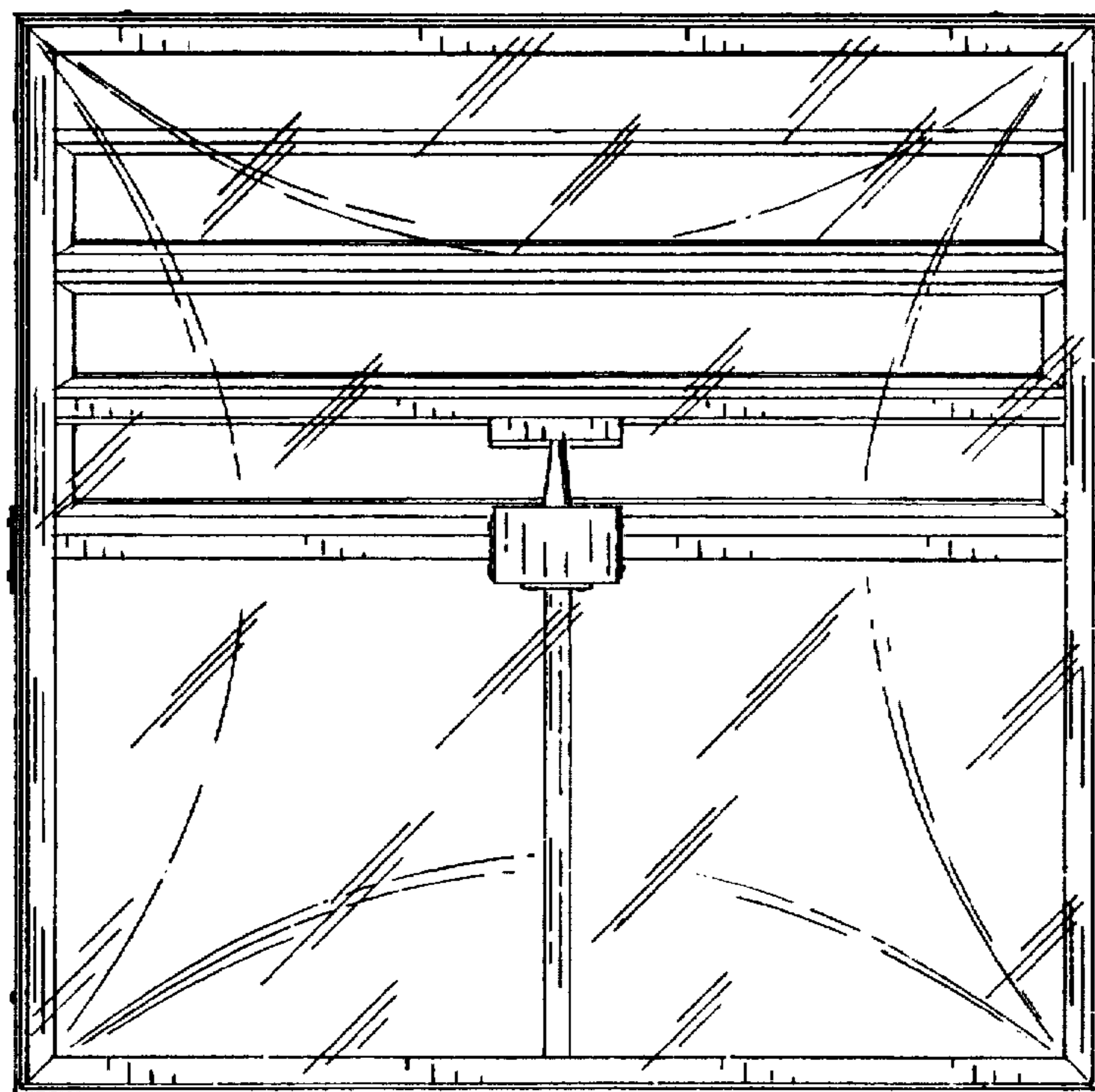
*FIG. 2*



*FIG. 3*



*FIG. 4*



*FIG. 5*