

US00D383854S

**United States Patent** [19]  
**Ruscitto**

[11] **Patent Number: Des. 383,854**

[45] **Date of Patent: \*\*Sep. 16, 1997**

[54] **KIOSK**

[76] **Inventor: Marcus L. Ruscitto, 555 Sugar Camp Rd., Venetia, Pa. 15367**

[\*\*] **Term: 14 Years**

[21] **Appl. No.: 56,724**

[22] **Filed: Jul. 8, 1996**

[51] **LOC (6) Cl. .... 25-03**

[52] **U.S. Cl. .... D25/16**

[58] **Field of Search ..... D25/1, 16; 52/79.1; D20/10**

[56] **References Cited**

**U.S. PATENT DOCUMENTS**

D. 350,829 9/1994 Horton ..... D25/16  
5,398,465 3/1995 Tagg ..... 52/79.1

*Primary Examiner*—Doris Clark

*Attorney, Agent, or Firm*—Michael J. Kline; Noland J. Cheung

[57] **CLAIM**

The ornamental design for a kiosk, as shown and described.

**DESCRIPTION**

FIG. 1 is an isometric view of one embodiment of the kiosk of the present invention;

FIG. 2 is an elevational view of a first side of the kiosk of FIG. 1;

FIG. 3 is an elevational view of a second side of the kiosk of FIG. 1;

FIG. 4 is an elevational view of a third side of the kiosk of FIG. 1;

FIG. 5 is an elevational corner view of the kiosk of FIG. 1;

FIG. 6 is a top plan view of the kiosk of FIG. 1;

FIG. 7 is a bottom plan view of the kiosk of FIG. 1;

FIG. 8 is an isometric view of a second embodiment of the kiosk of FIG. 1;

FIG. 9 is a front elevational view of the kiosk of FIG. 8;

FIG. 10 is a rear elevational view of the kiosk of FIG. 8;

FIG. 11 is a left side elevational view of the kiosk of FIG. 8;

FIG. 12 is a right side elevational view of the kiosk of FIG. 8;

FIG. 13 is a top plan view of the kiosk of FIG. 8;

FIG. 14 is a bottom plan view of the kiosk of FIG. 8;

FIG. 15 is an isometric view of a third embodiment of the kiosk of FIG. 1;

FIG. 16 is a front elevational view of the kiosk of FIG. 15;

FIG. 17 is a rear elevational view of the kiosk of FIG. 15;

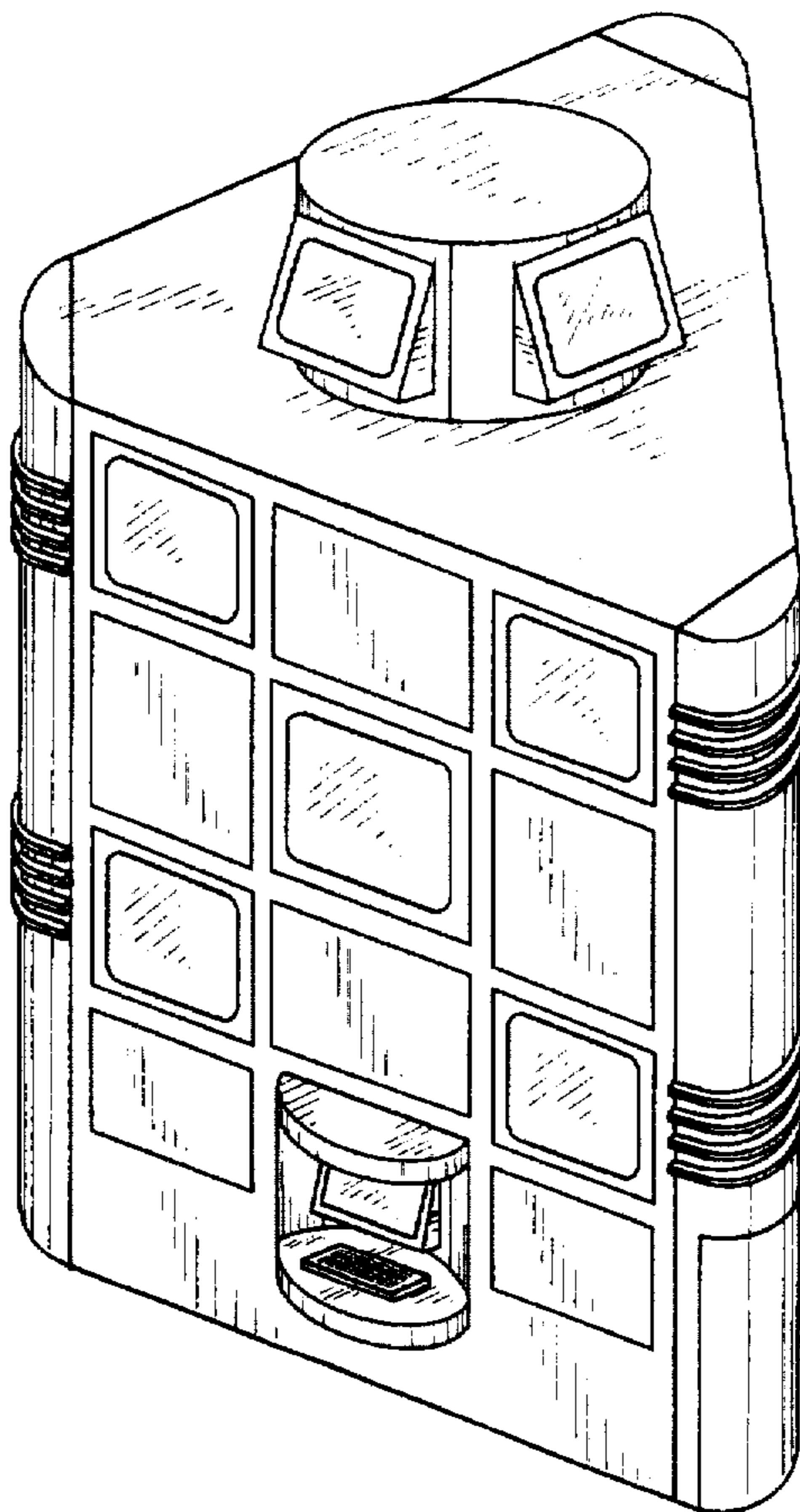
FIG. 18 is a left side elevational view of the kiosk of FIG. 15;

FIG. 19 is a right side elevational view of the kiosk of FIG. 15;

FIG. 20 is a top plan view of the kiosk of FIG. 15; and,

FIG. 21 is a bottom plan view of the kiosk of FIG. 15.

**1 Claim, 16 Drawing Sheets**



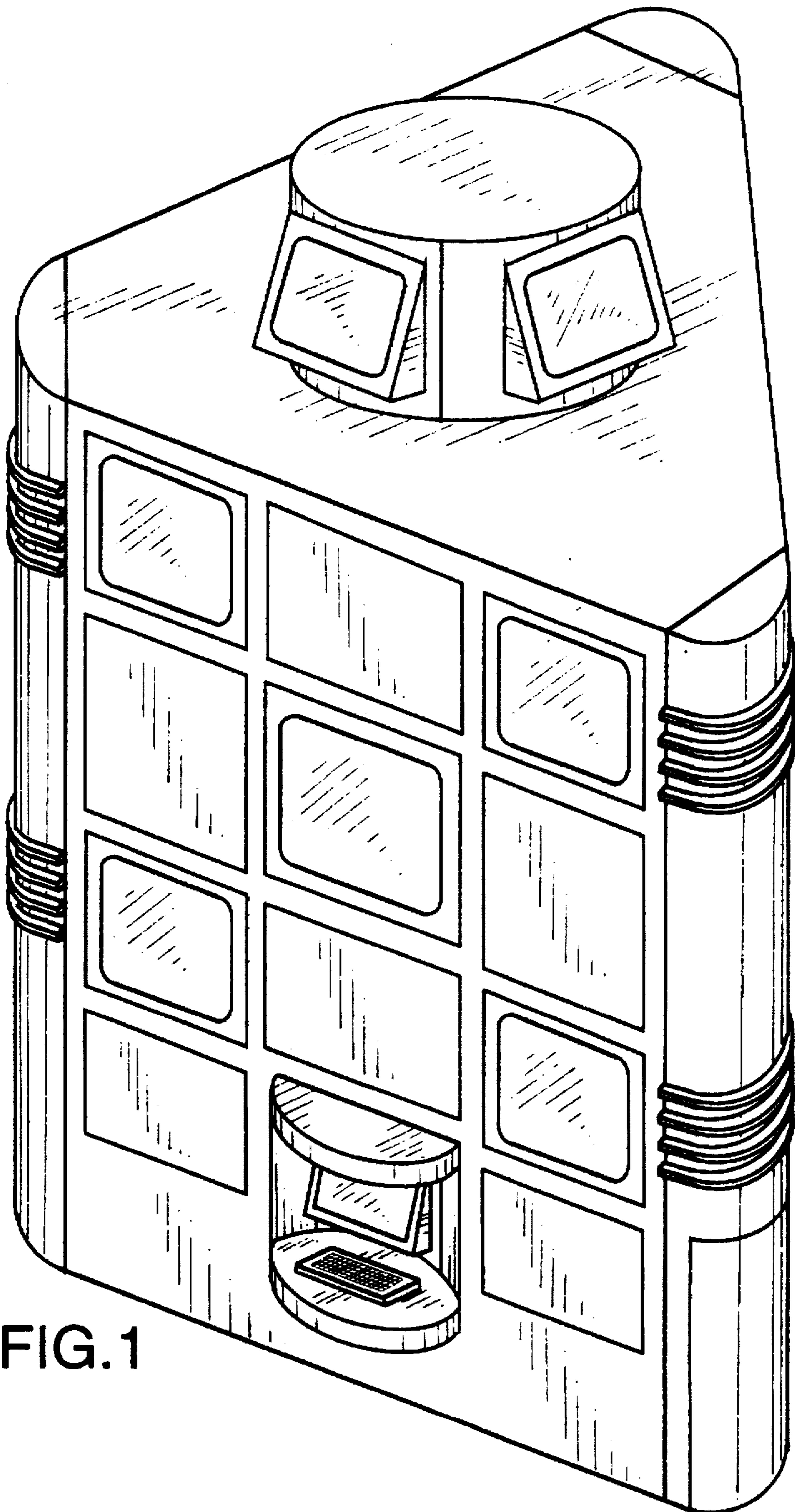


FIG. 1

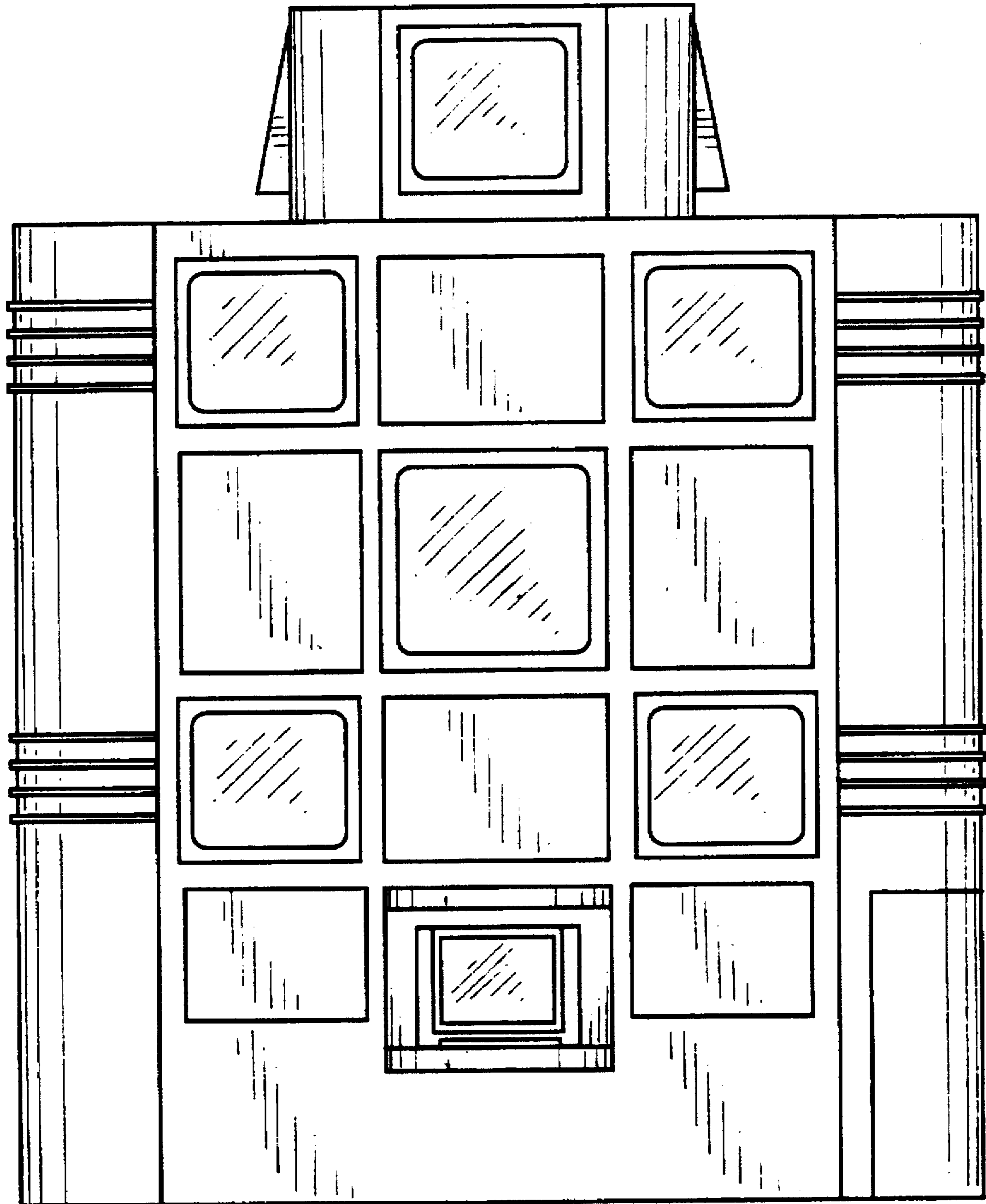


FIG. 2

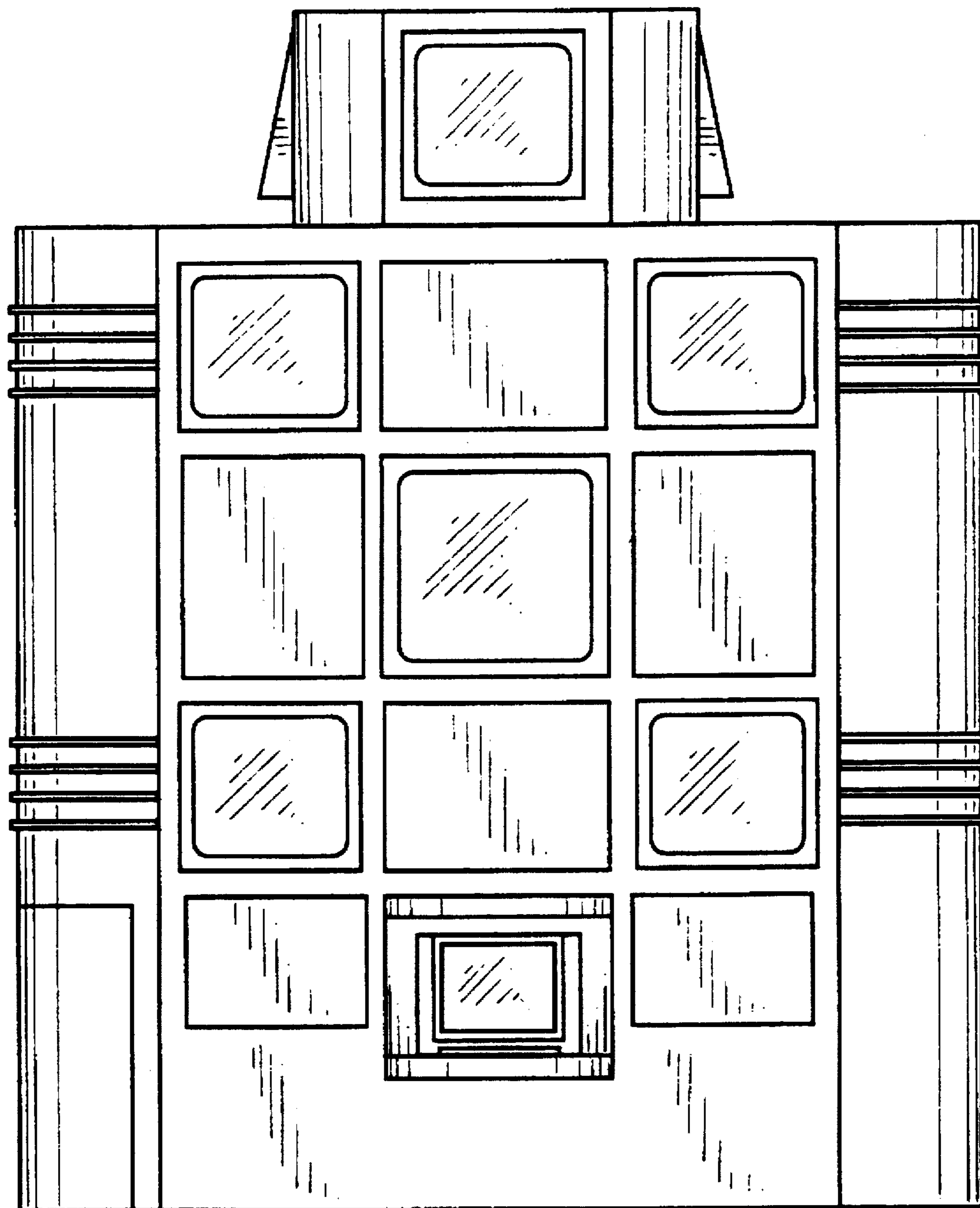


FIG. 3

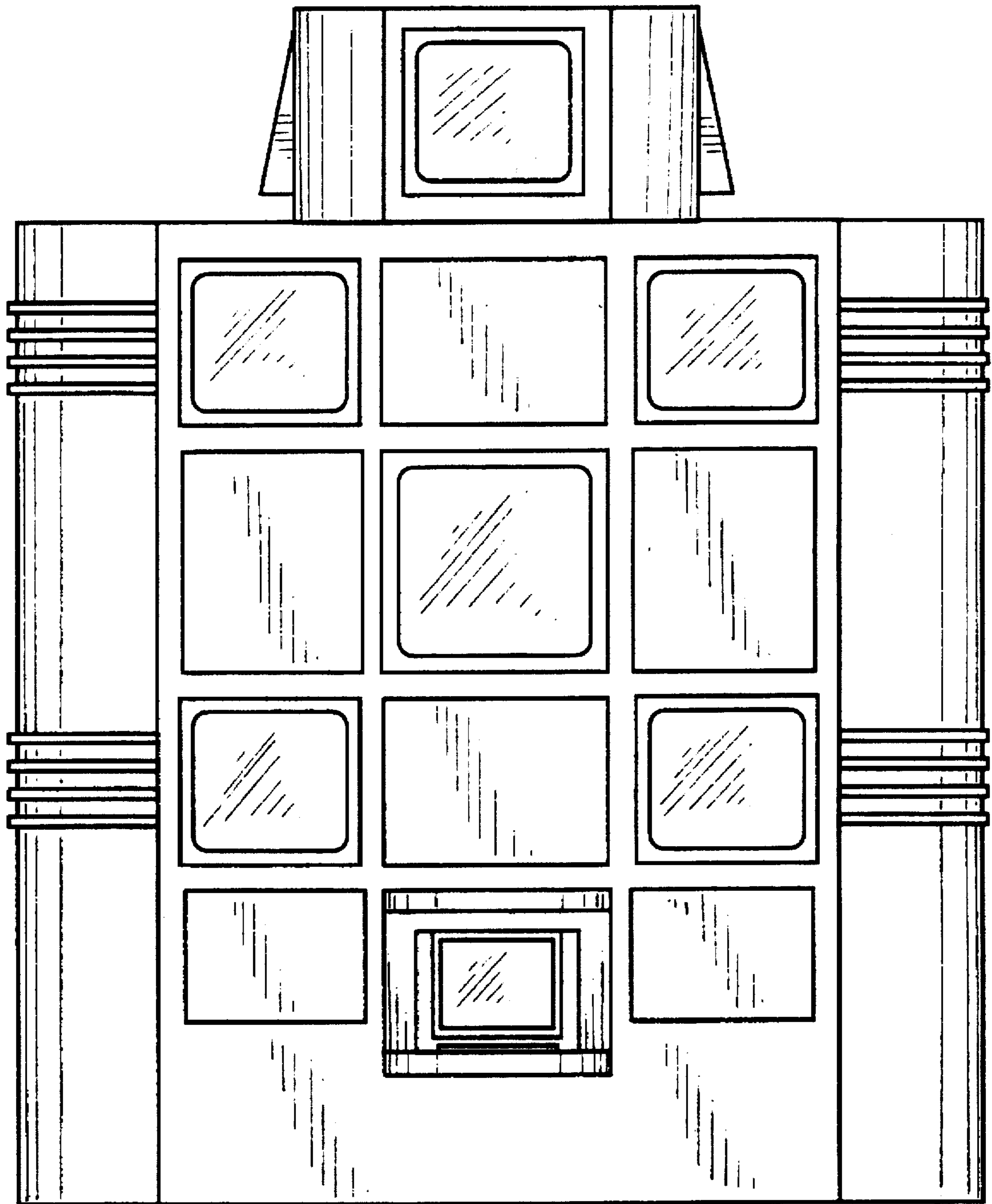


FIG. 4

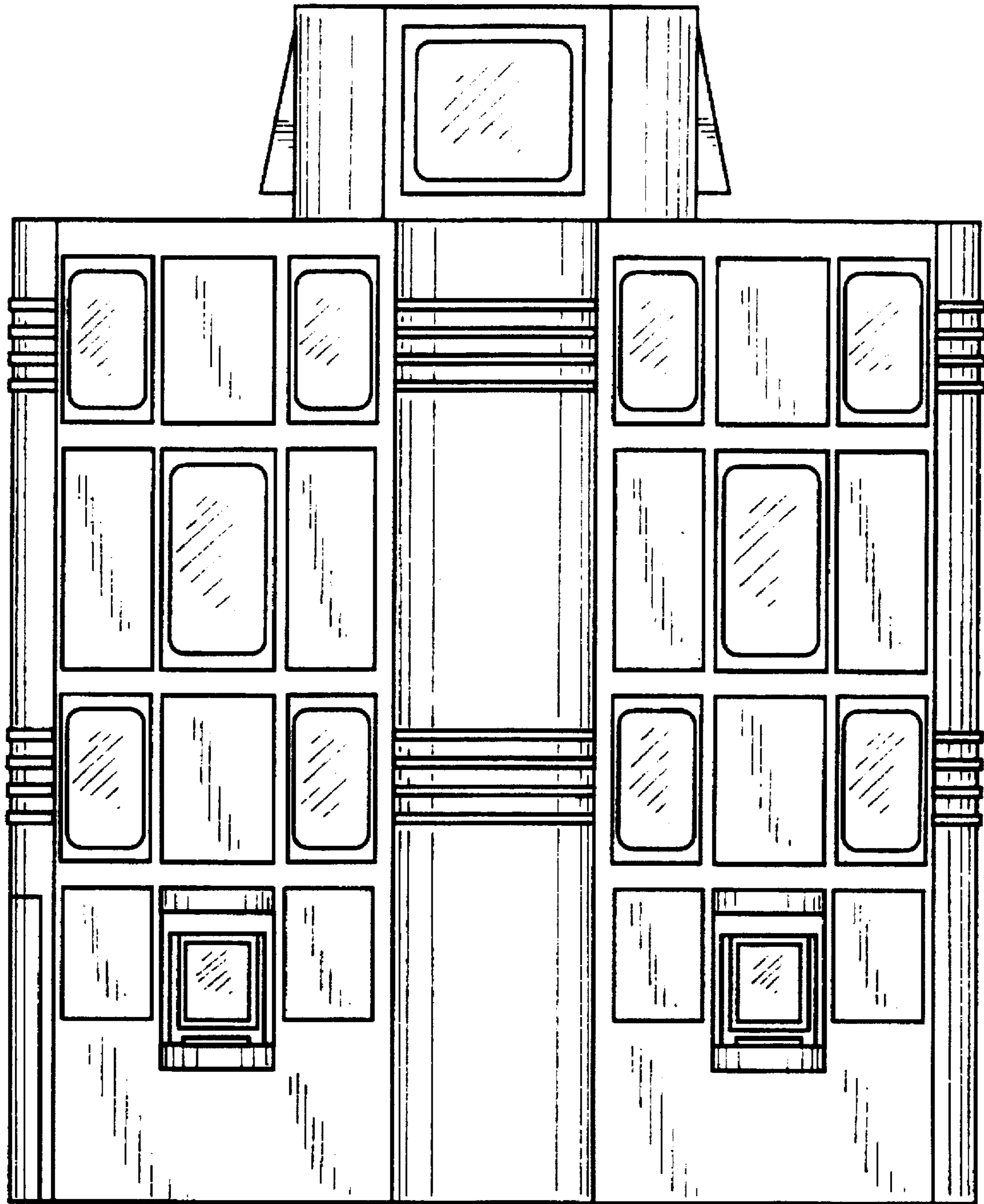


FIG. 5

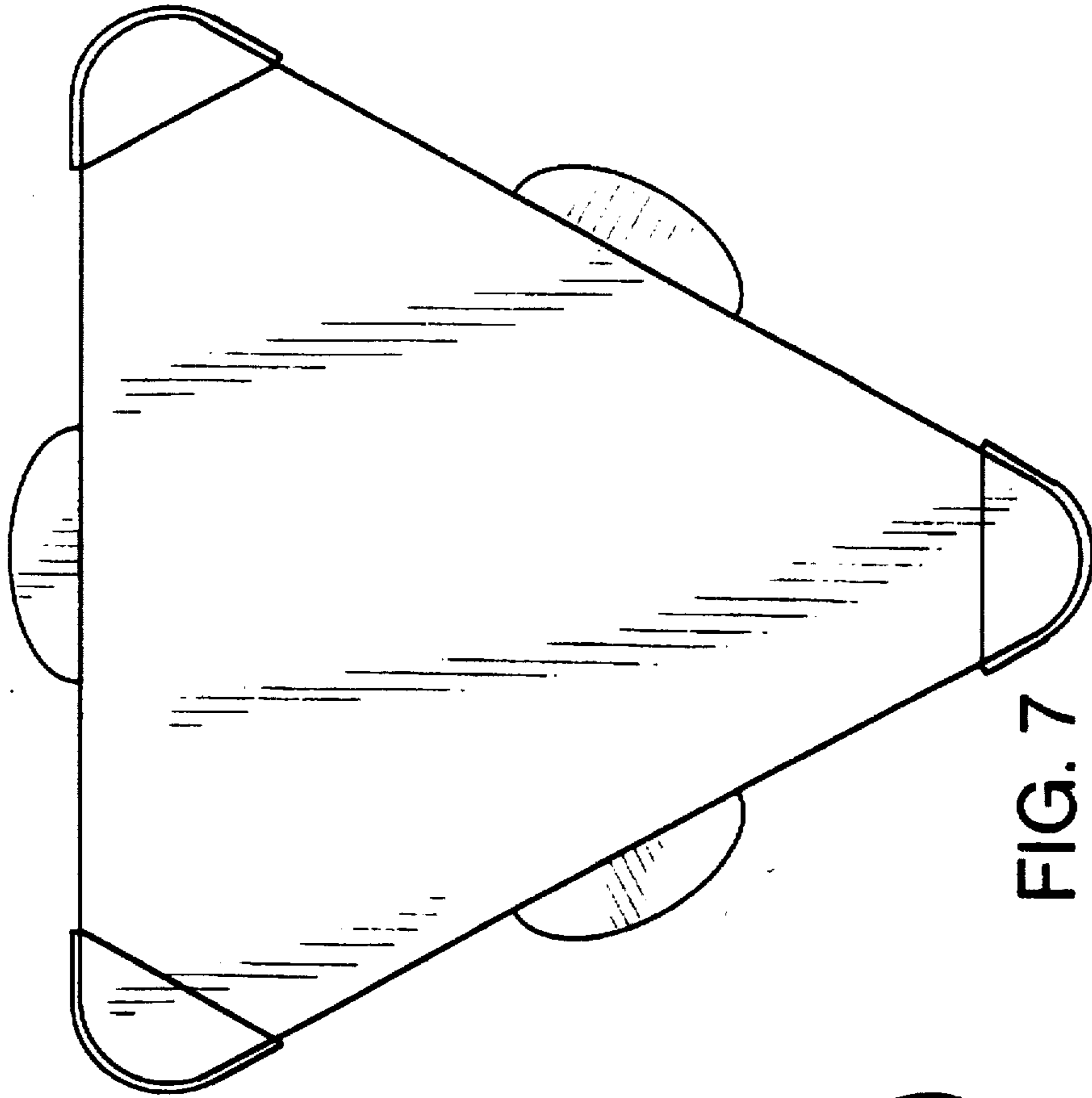


FIG. 7

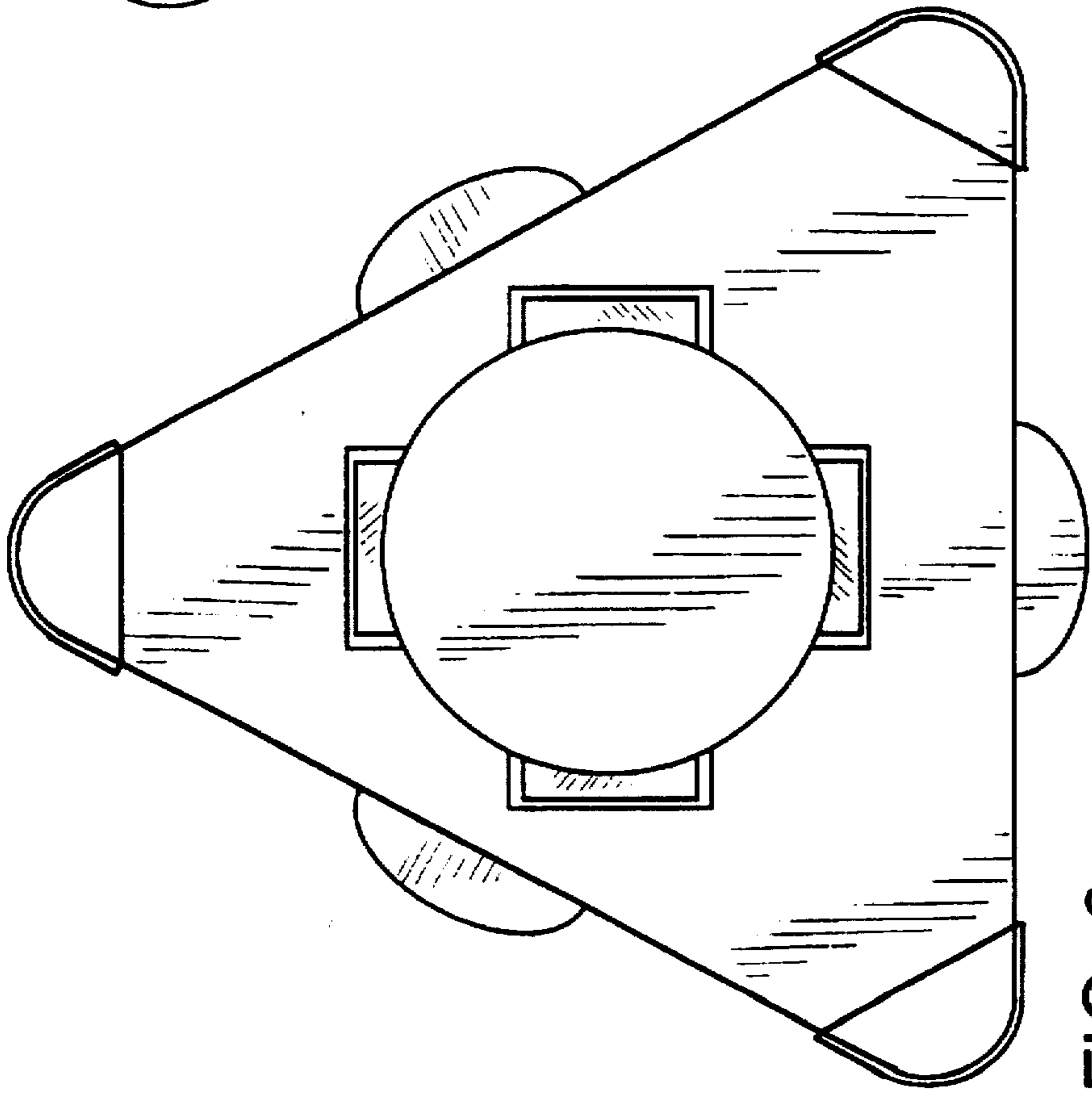


FIG. 6

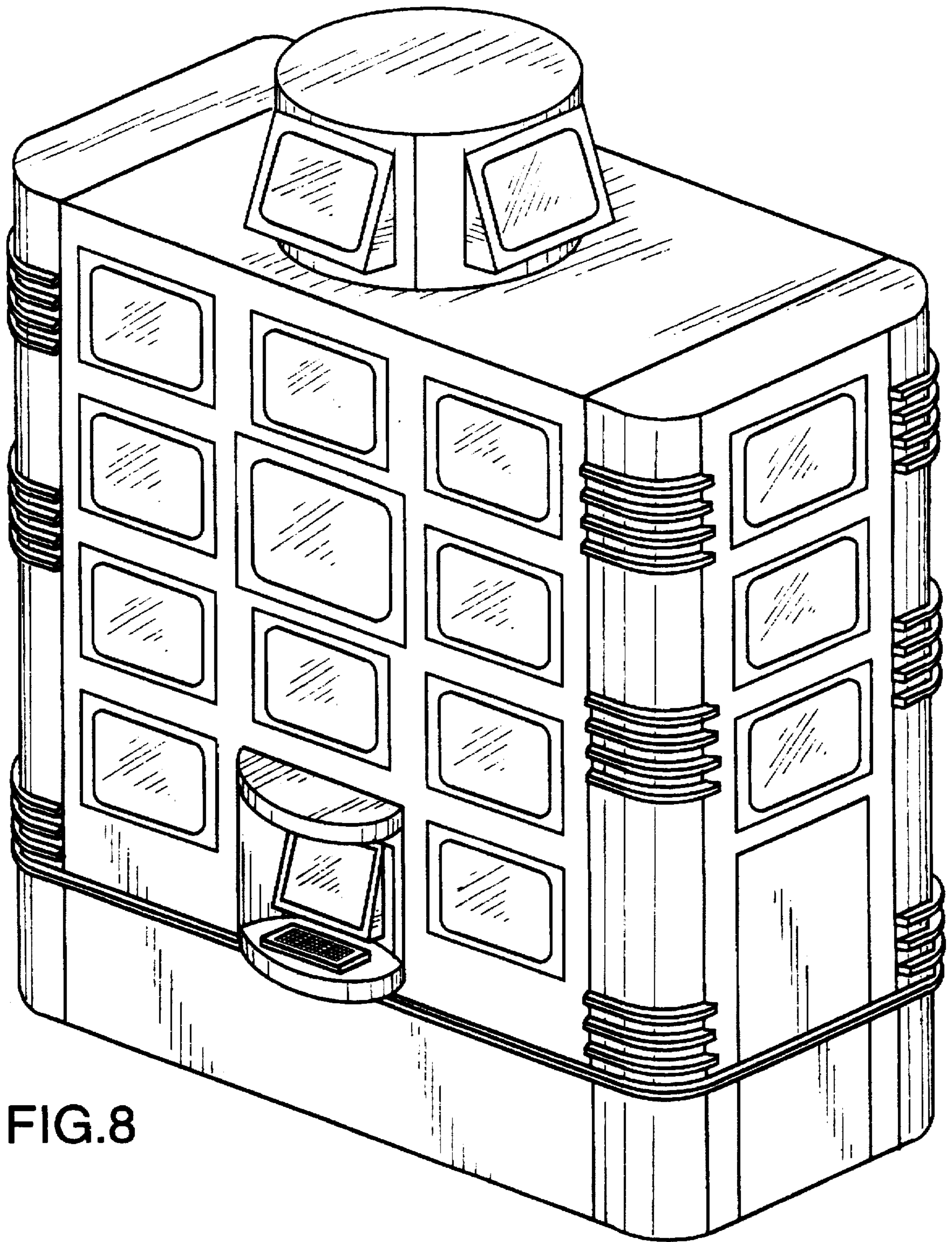


FIG.8



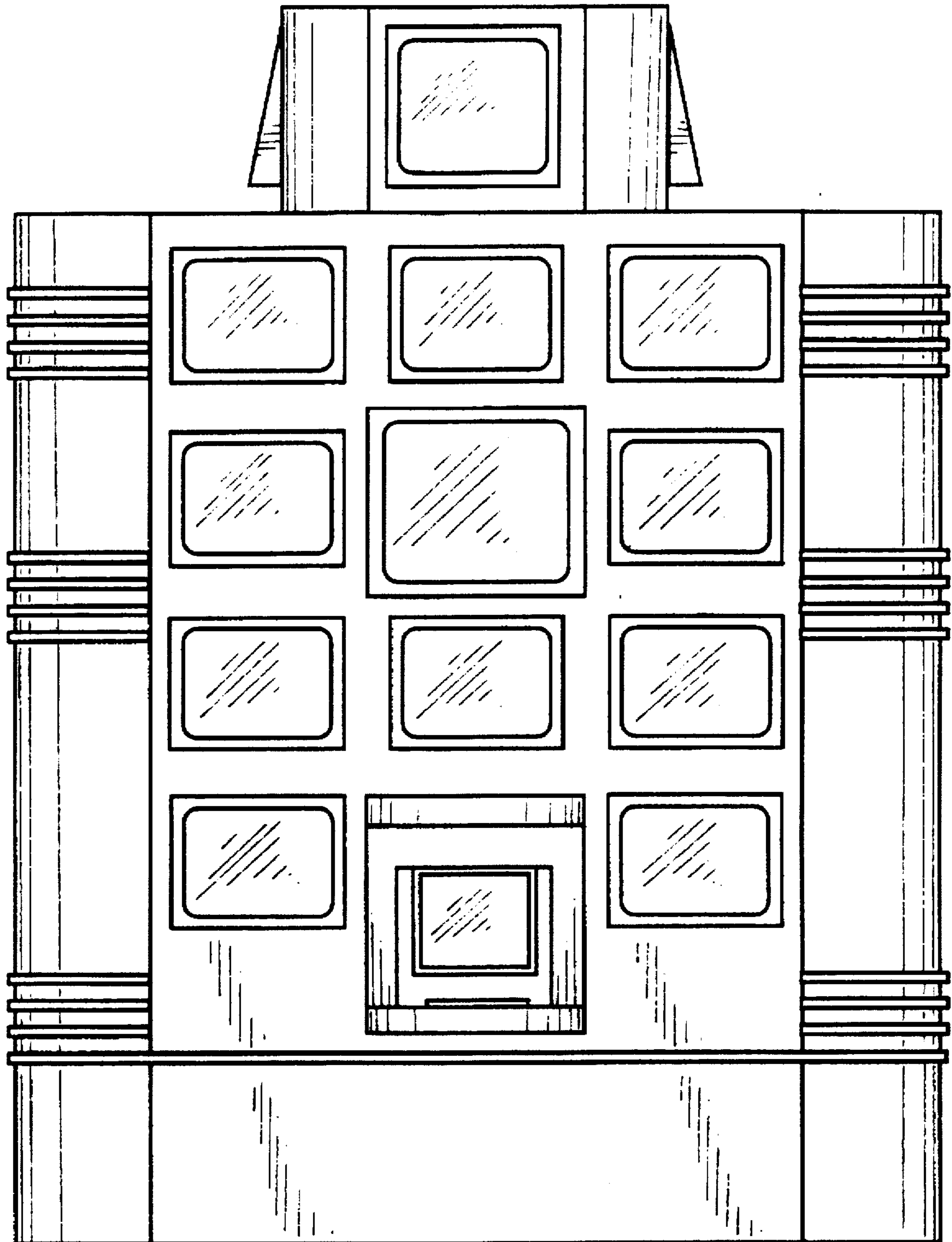


FIG. 9

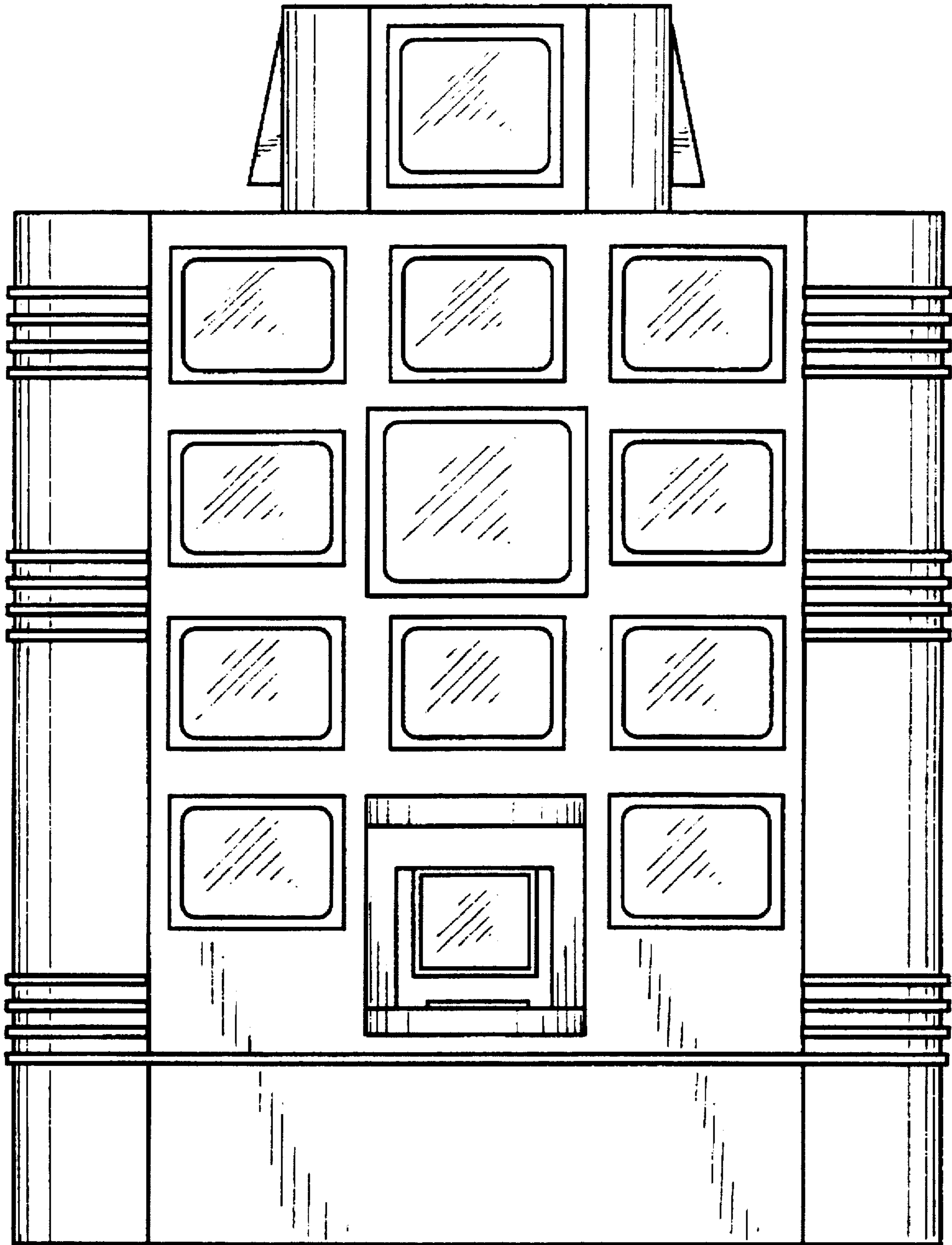


FIG. 10

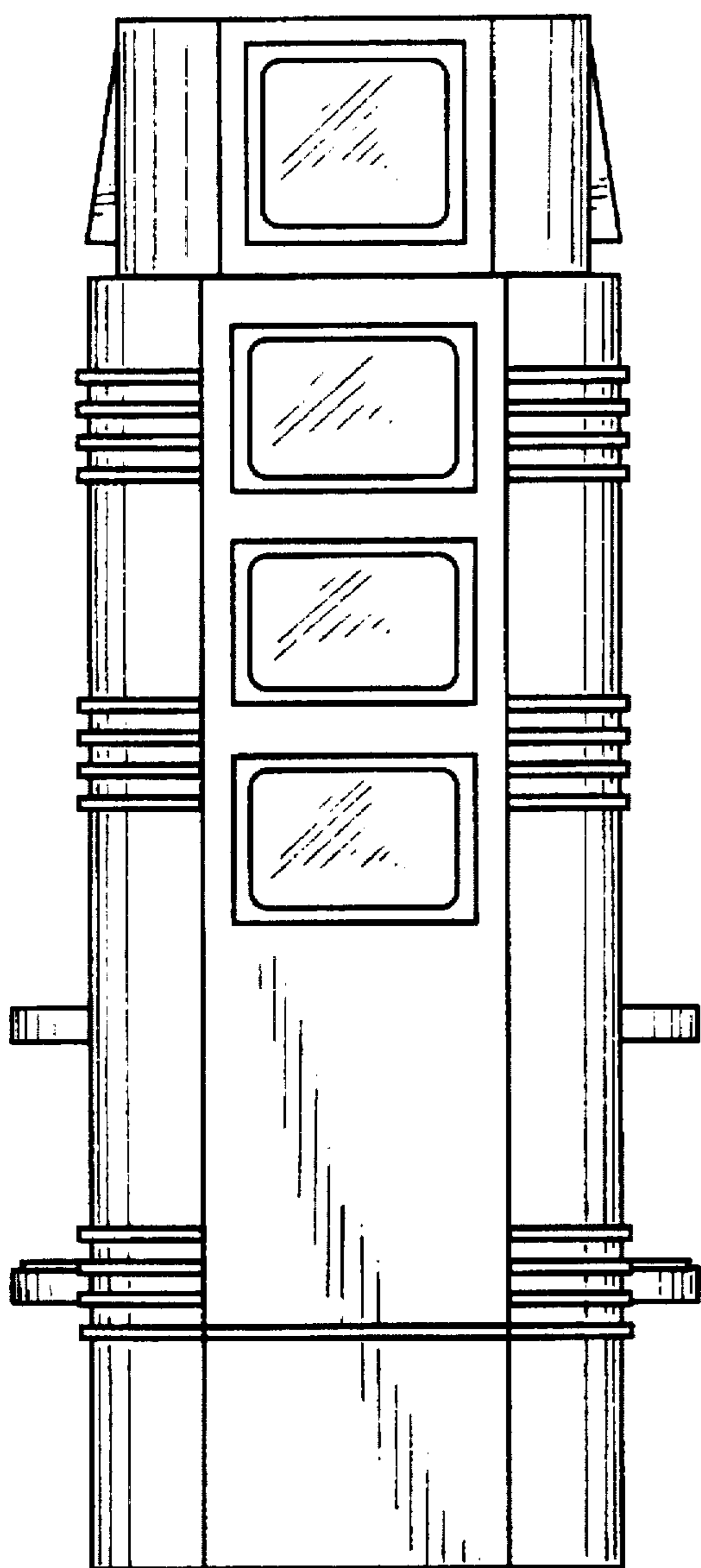


FIG. 11

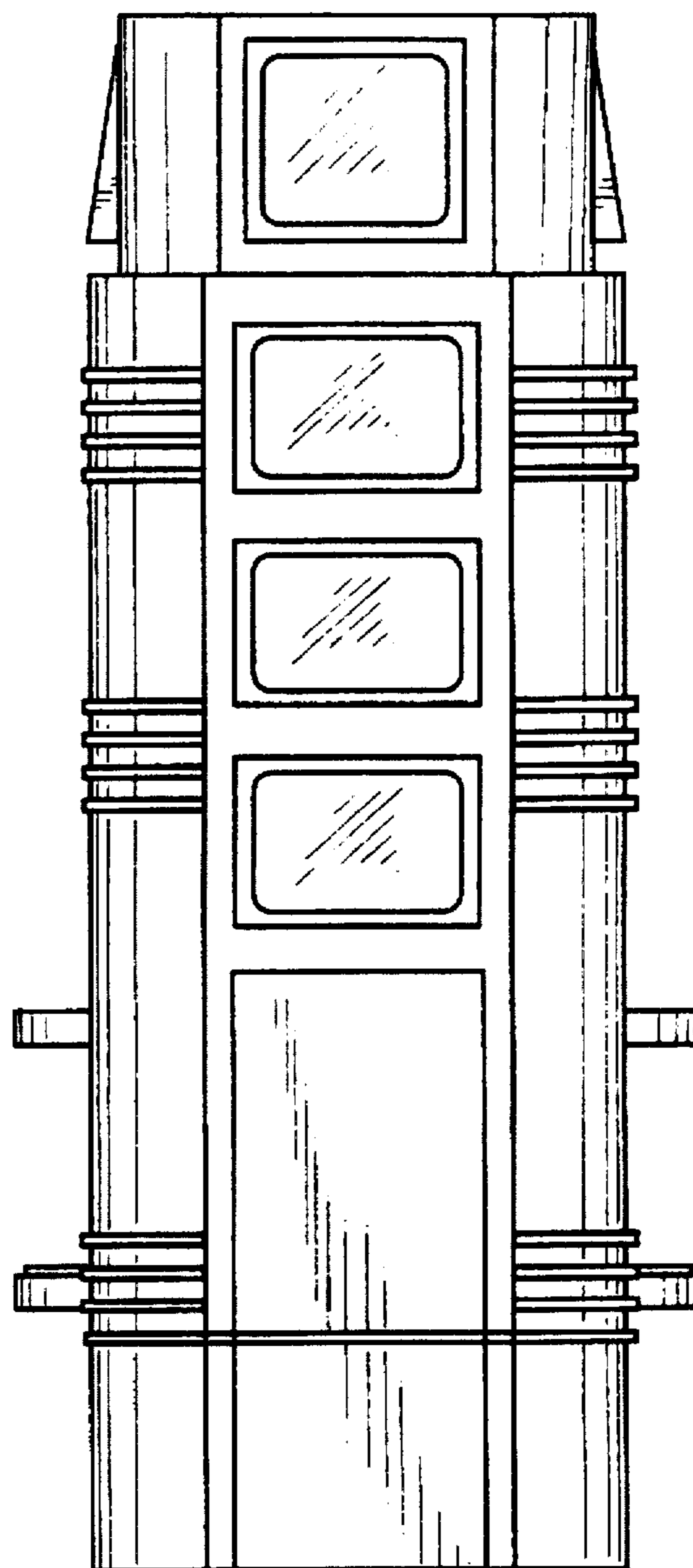


FIG. 12

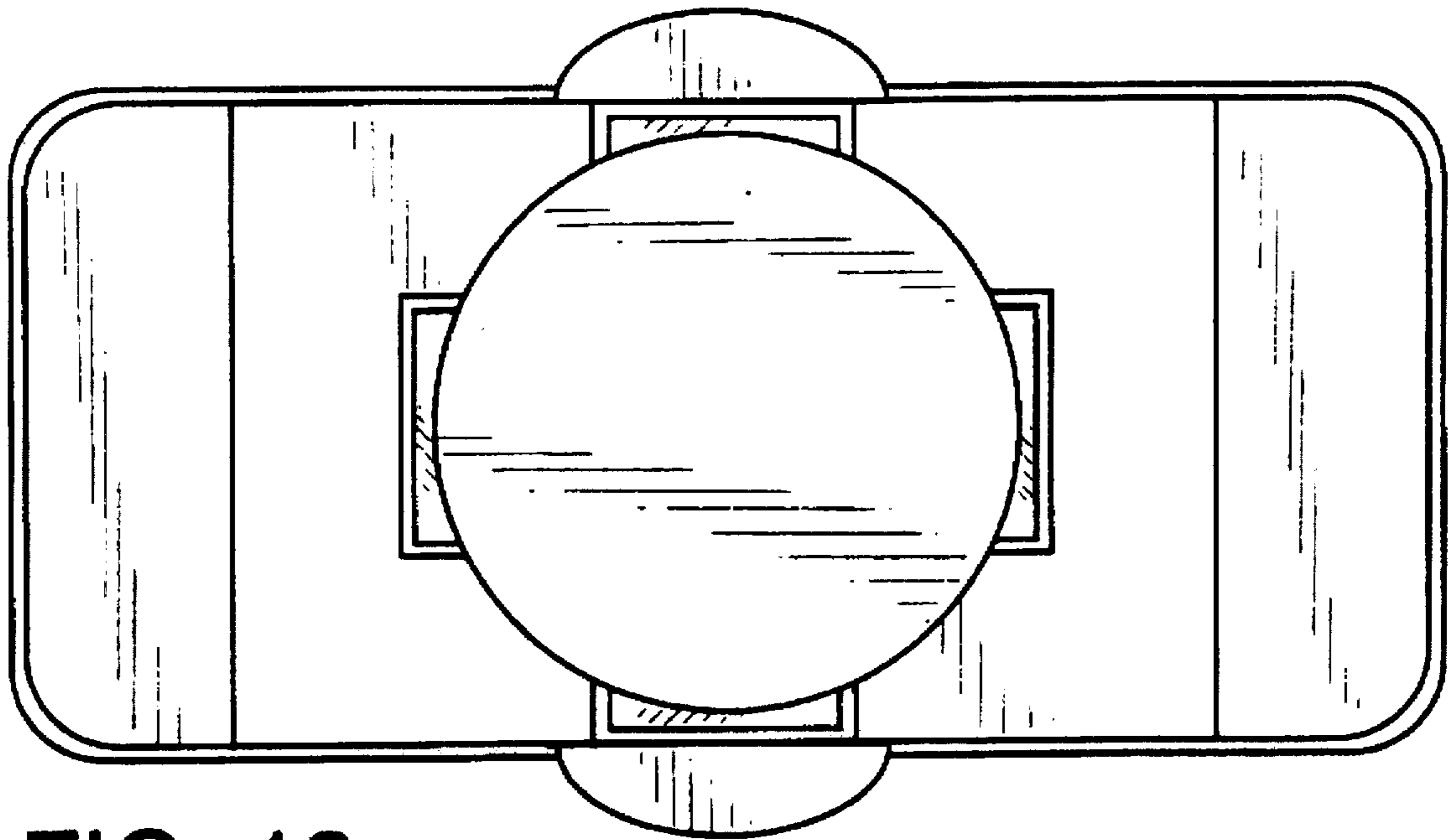


FIG. 13

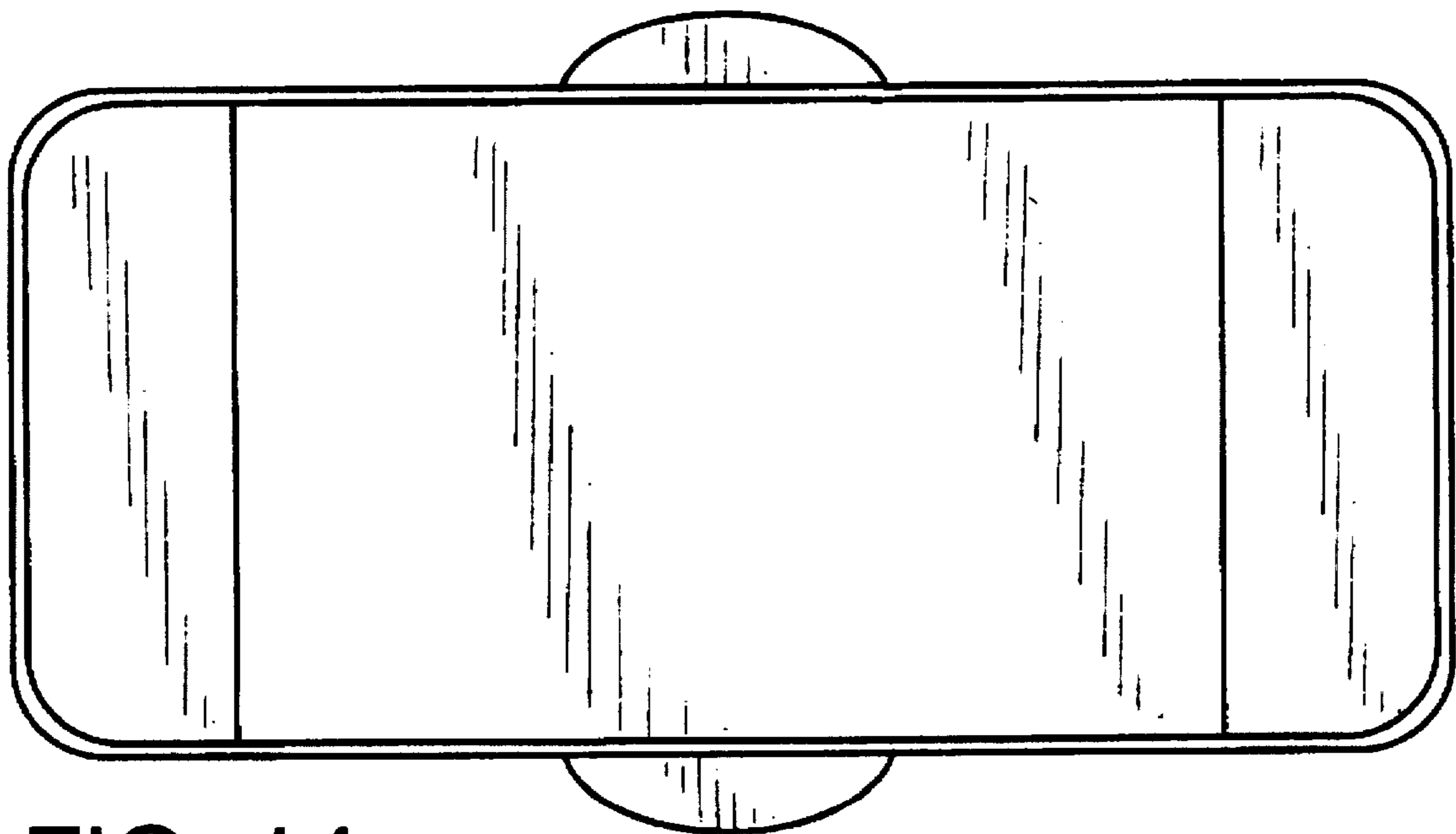


FIG. 14

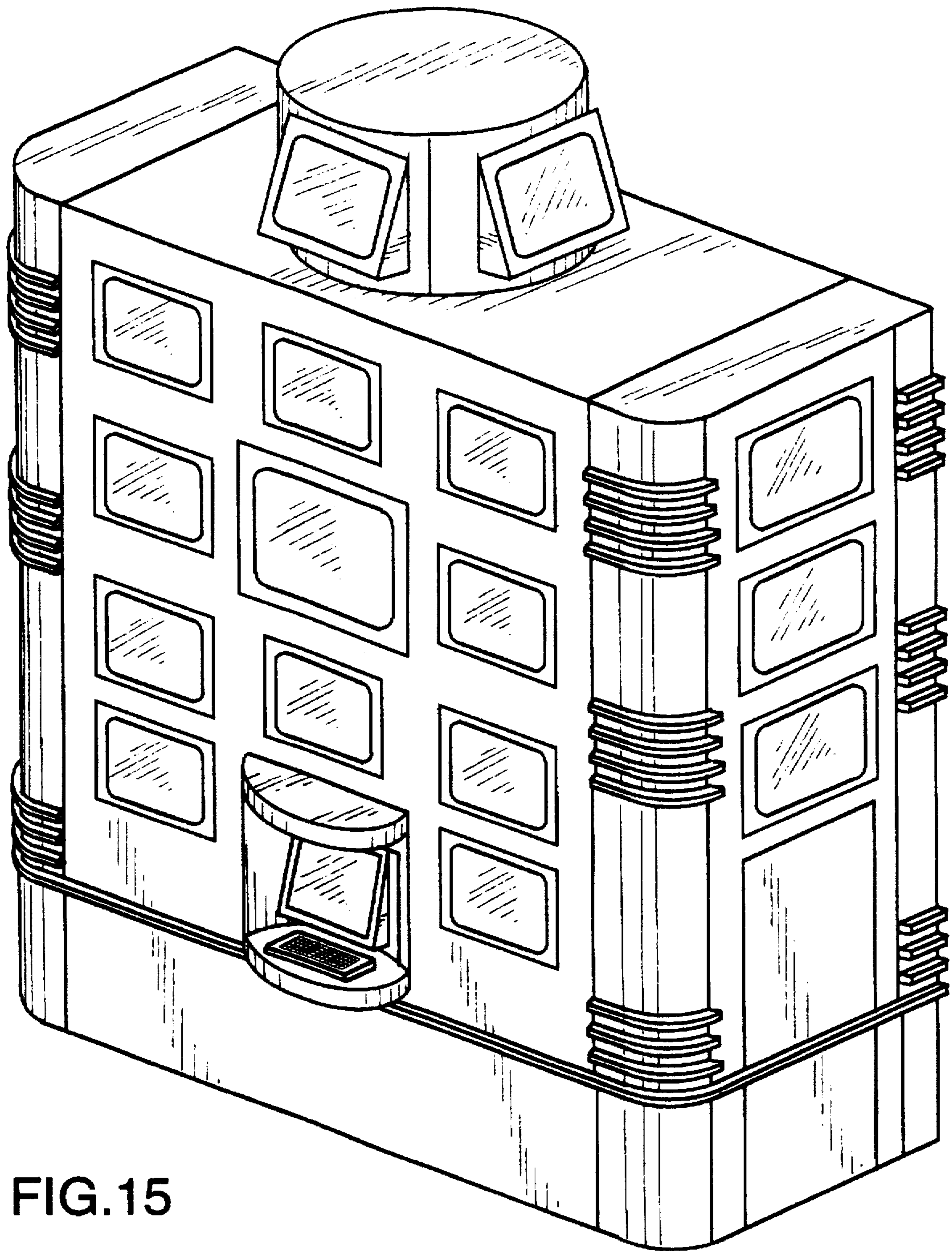


FIG.15

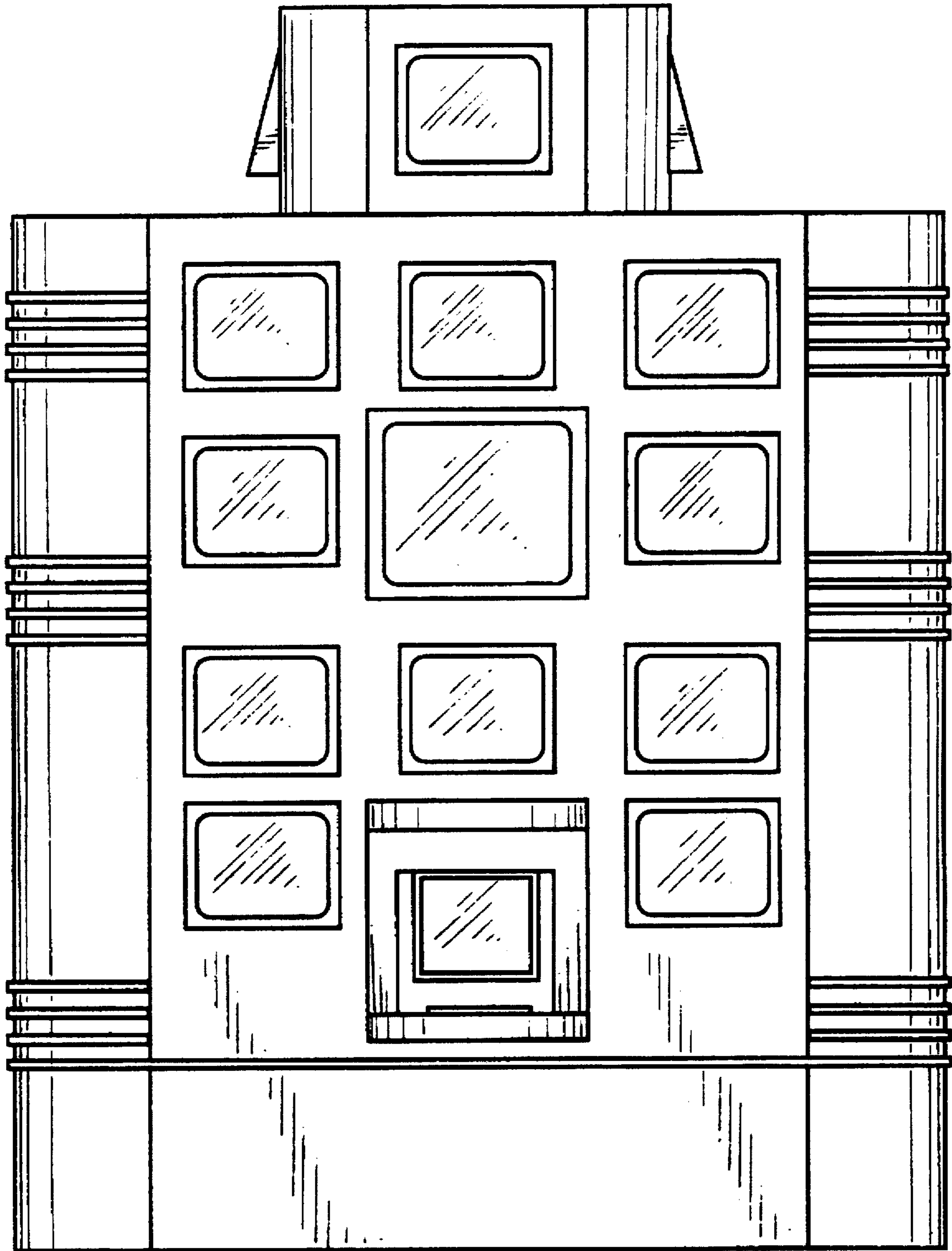


FIG. 16

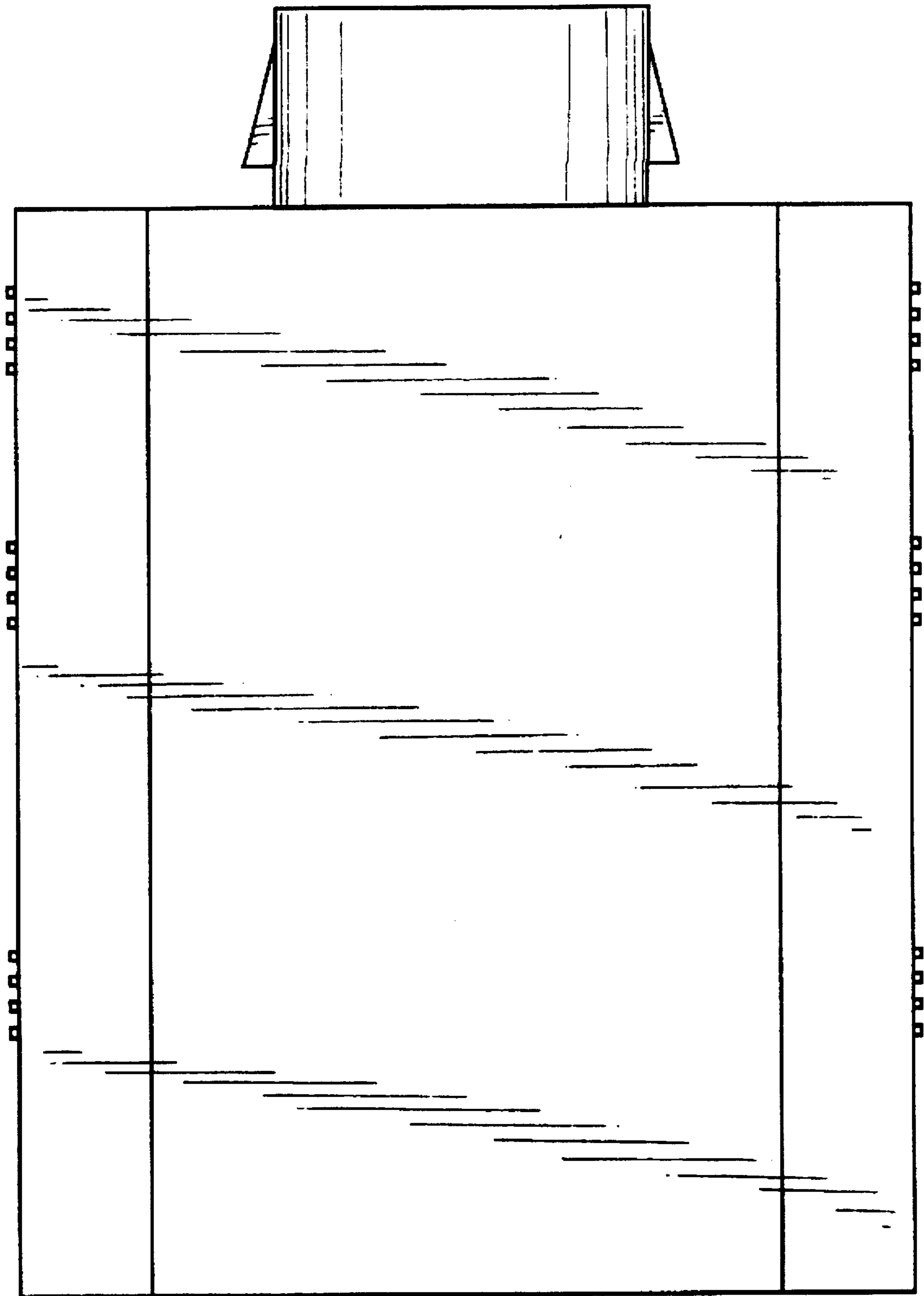


FIG. 17

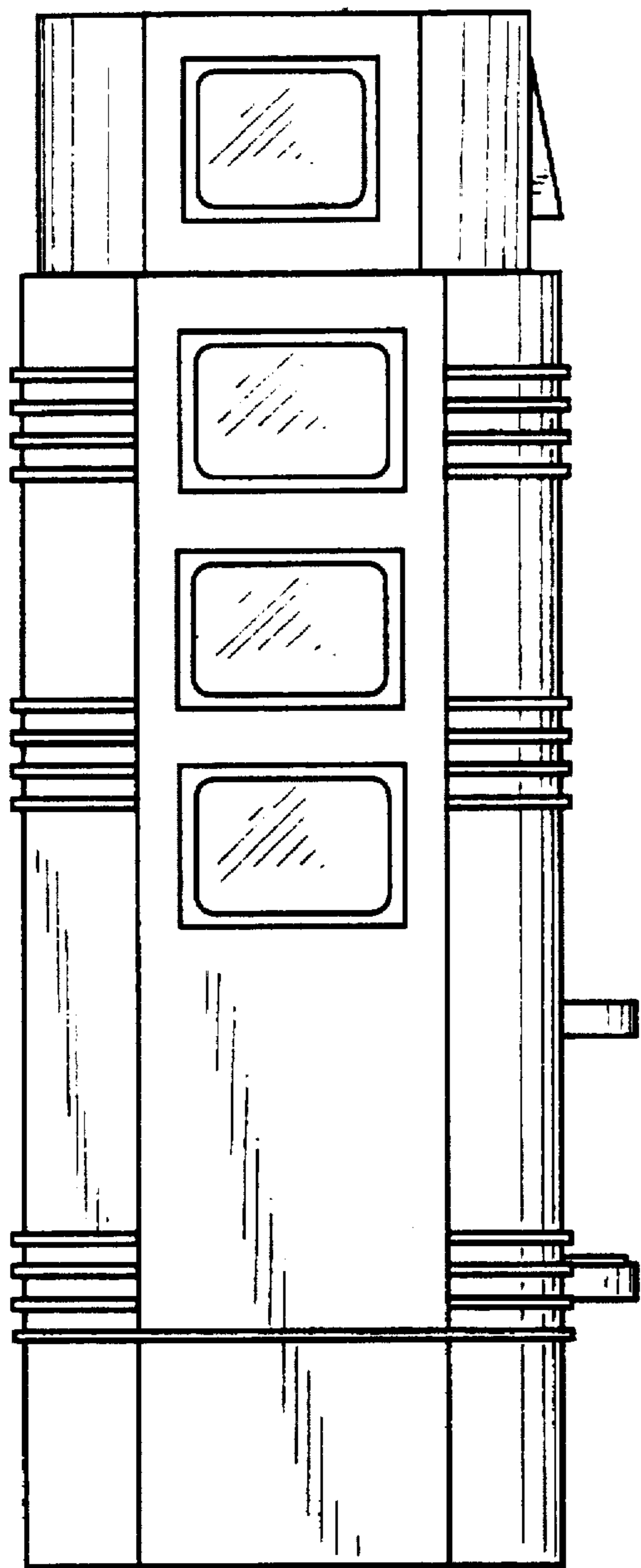


FIG. 18

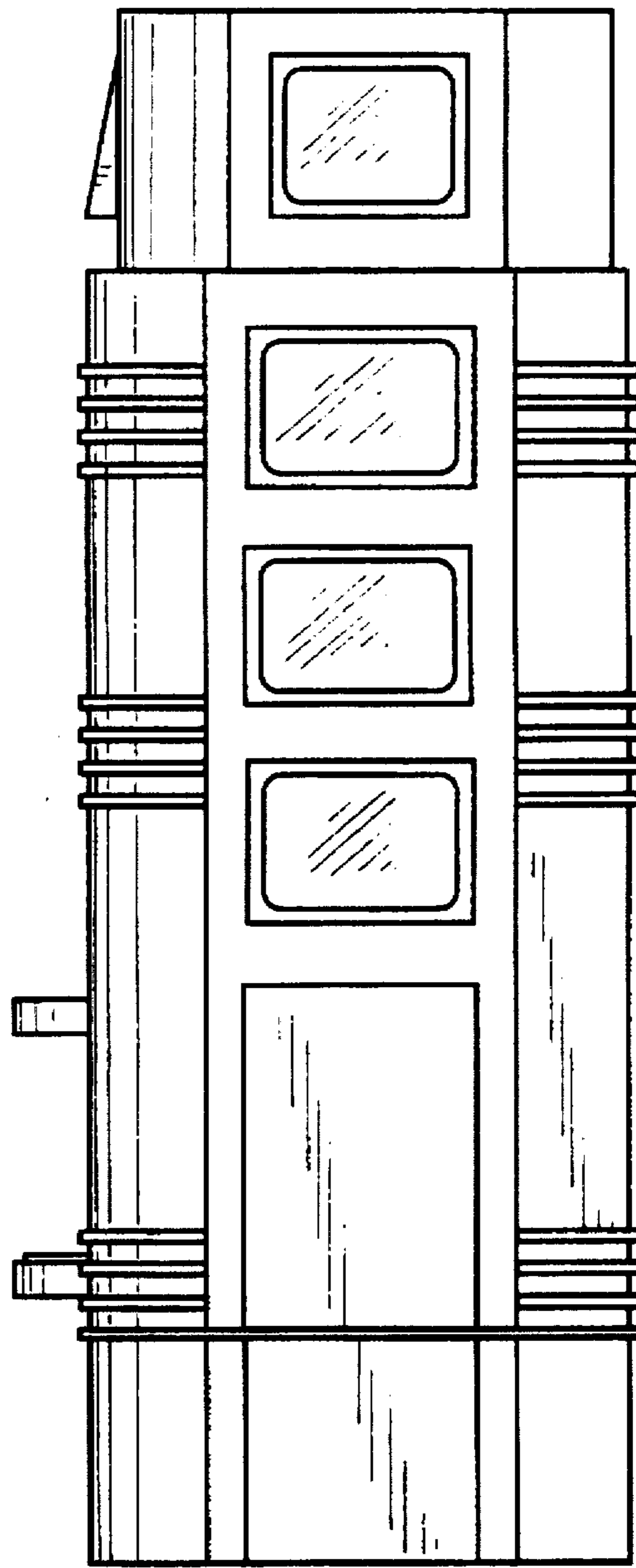


FIG. 19



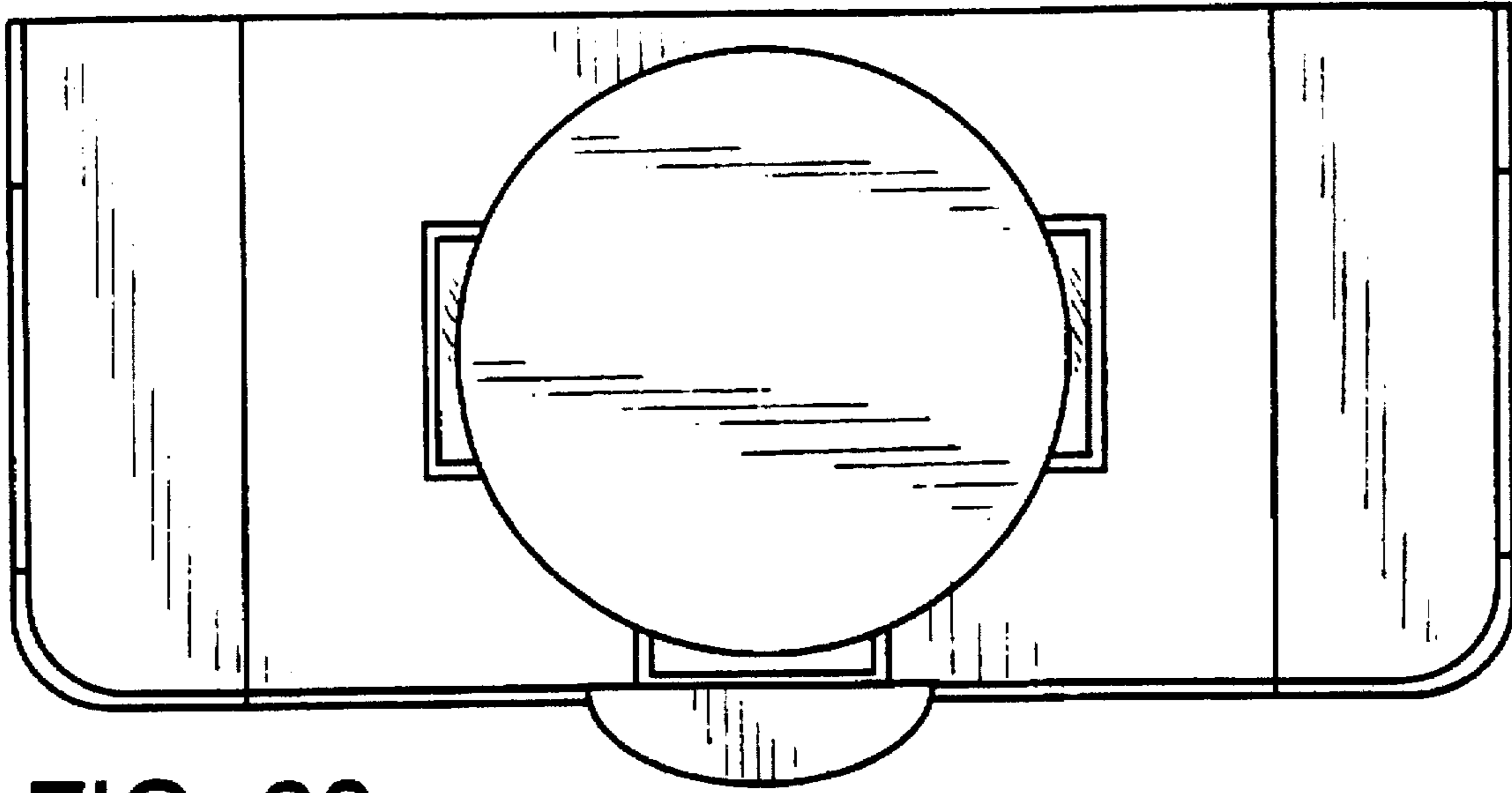


FIG. 20

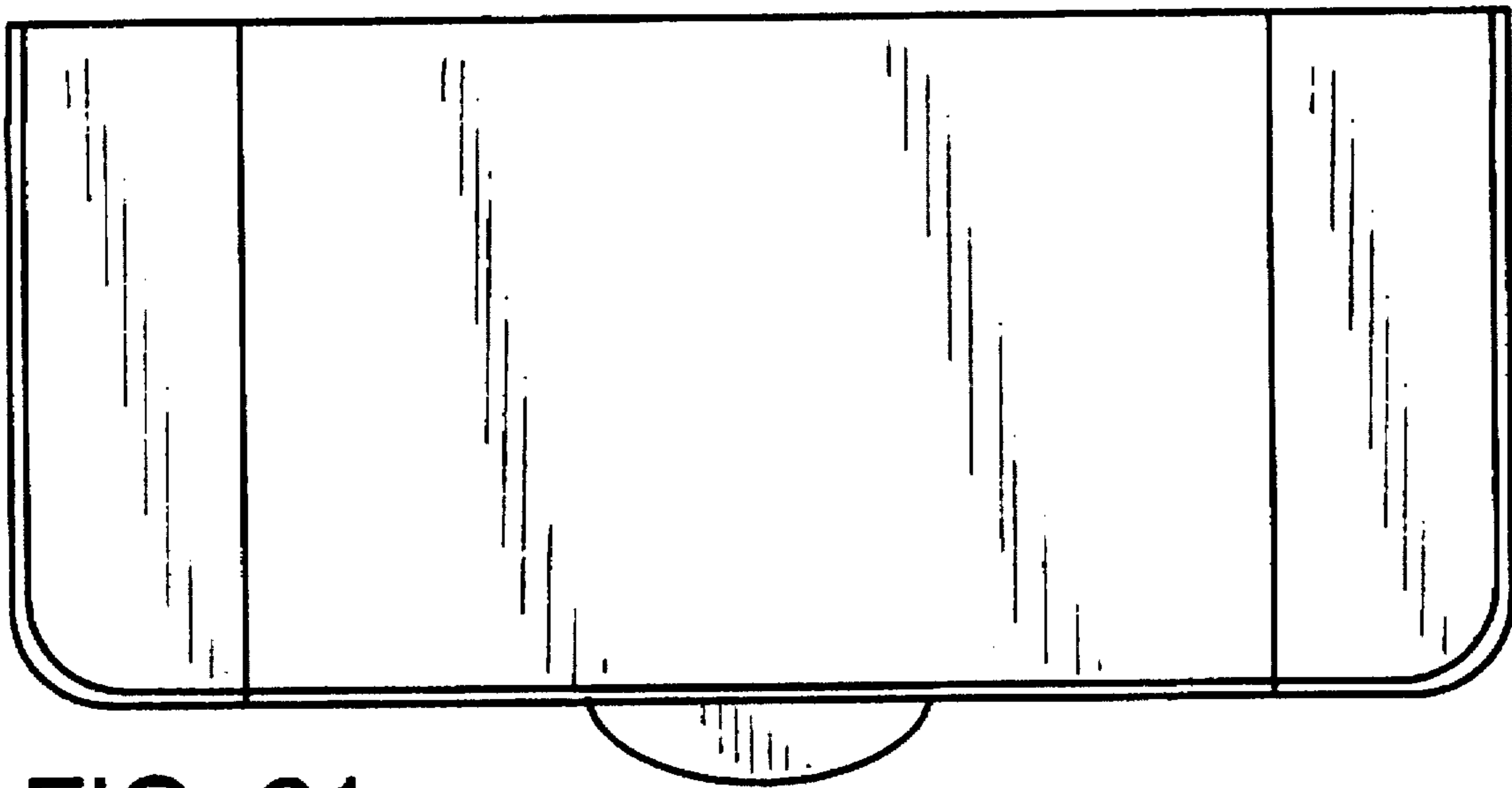


FIG. 21