



US00D383853S

United States Patent [19] Enns

[11] Patent Number: **Des. 383,853**
[45] Date of Patent: ****Sep. 16, 1997**

[54] **PATIO POND**

[75] Inventor: **Douglas Brent Enns, Plano, Tex.**

[73] Assignee: **Beckett Corporation, Dallas, Tex.**

[**] Term: **14 Years**

3,276,043	10/1966	Delia	D25/2
3,317,927	5/1967	Shields	4/506
3,902,291	9/1975	Zucht	52/300
4,020,509	5/1977	West	52/169.7
4,223,498	9/1980	Ventrice	4/506
5,161,264	11/1992	Dugas	4/488
5,425,144	6/1995	Cornelius	4/488

[21] Appl. No.: **45,406**

[22] Filed: **Oct. 18, 1995**

[51] LOC (6) Cl. **25-03**

[52] U.S. Cl. **D25/2**

[58] Field of Search D25/2; 52/169.7,
52/261, 245; D21/252; 4/487, 488, 506,
507, 513; D23/273, 277

Primary Examiner—Doris Clark
Attorney, Agent, or Firm—Sidley & Austin

[57] CLAIM

The ornamental design for a patio pond, as shown and described.

DESCRIPTION

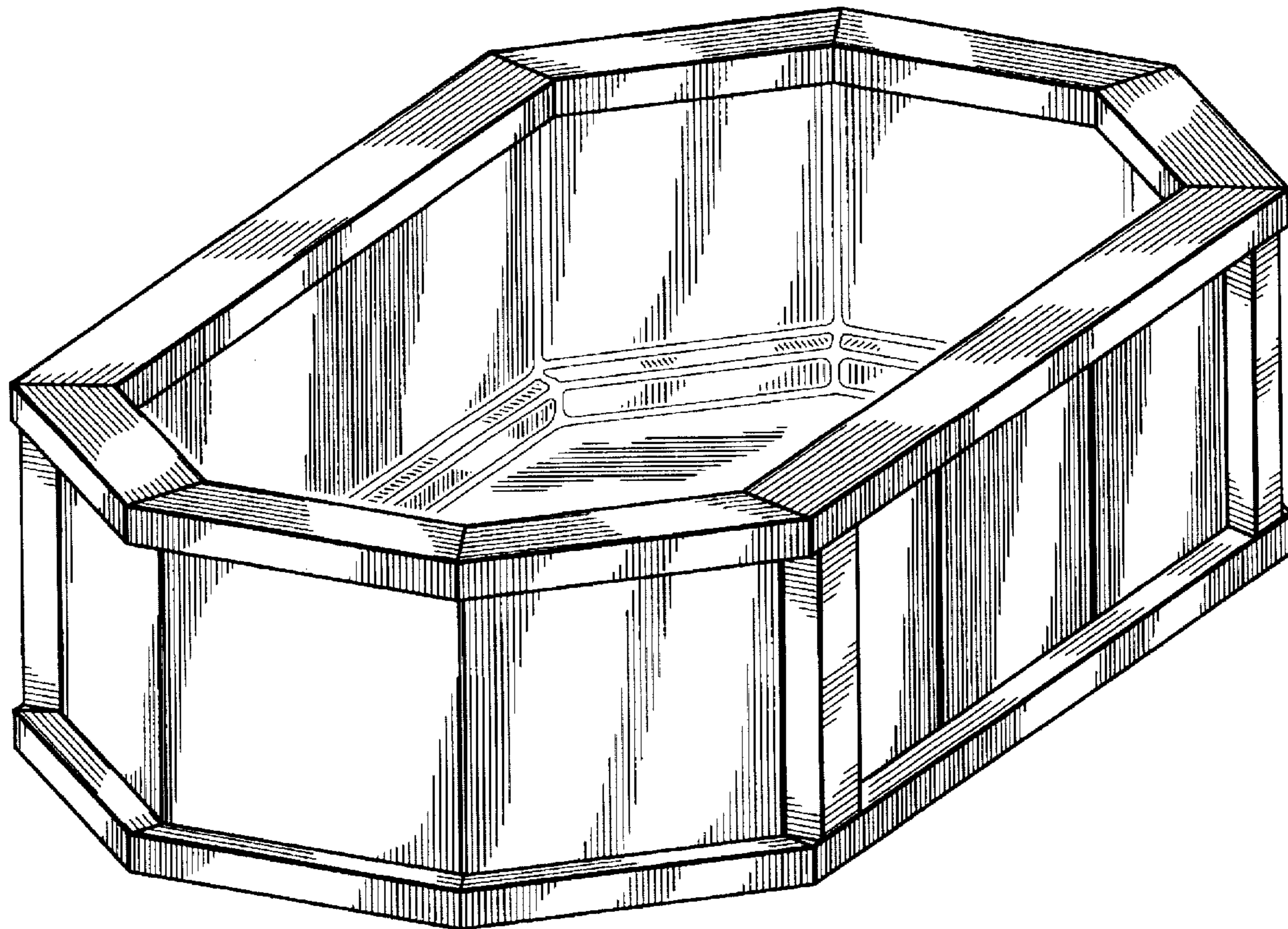
FIG. 1 is a perspective view of the patio pond;
FIG. 2 is a top view of the patio pond;
FIG. 3 is side view of the patio pond;
FIG. 4 is a perspective view of a first modification of the patio pond;
FIG. 5 is the top view of the patio pond of FIG. 4;
FIG. 6 is an end view of the patio pond of FIG. 4; and,
FIG. 7 is a side view of the patio pond of FIG. 4.

References Cited

U.S. PATENT DOCUMENTS

D. 267,271	12/1982	Kingsley et al.	D25/2
727,862	5/1903	Taylor	52/586.1
1,617,527	2/1927	Knight	52/586.2
2,363,405	11/1944	Eichelberger	20/4
2,392,551	1/1946	Roe	52/586.2
3,020,560	2/1962	Bedick	4/506
3,233,251	2/1966	Barrera	4/506

1 Claim, 3 Drawing Sheets



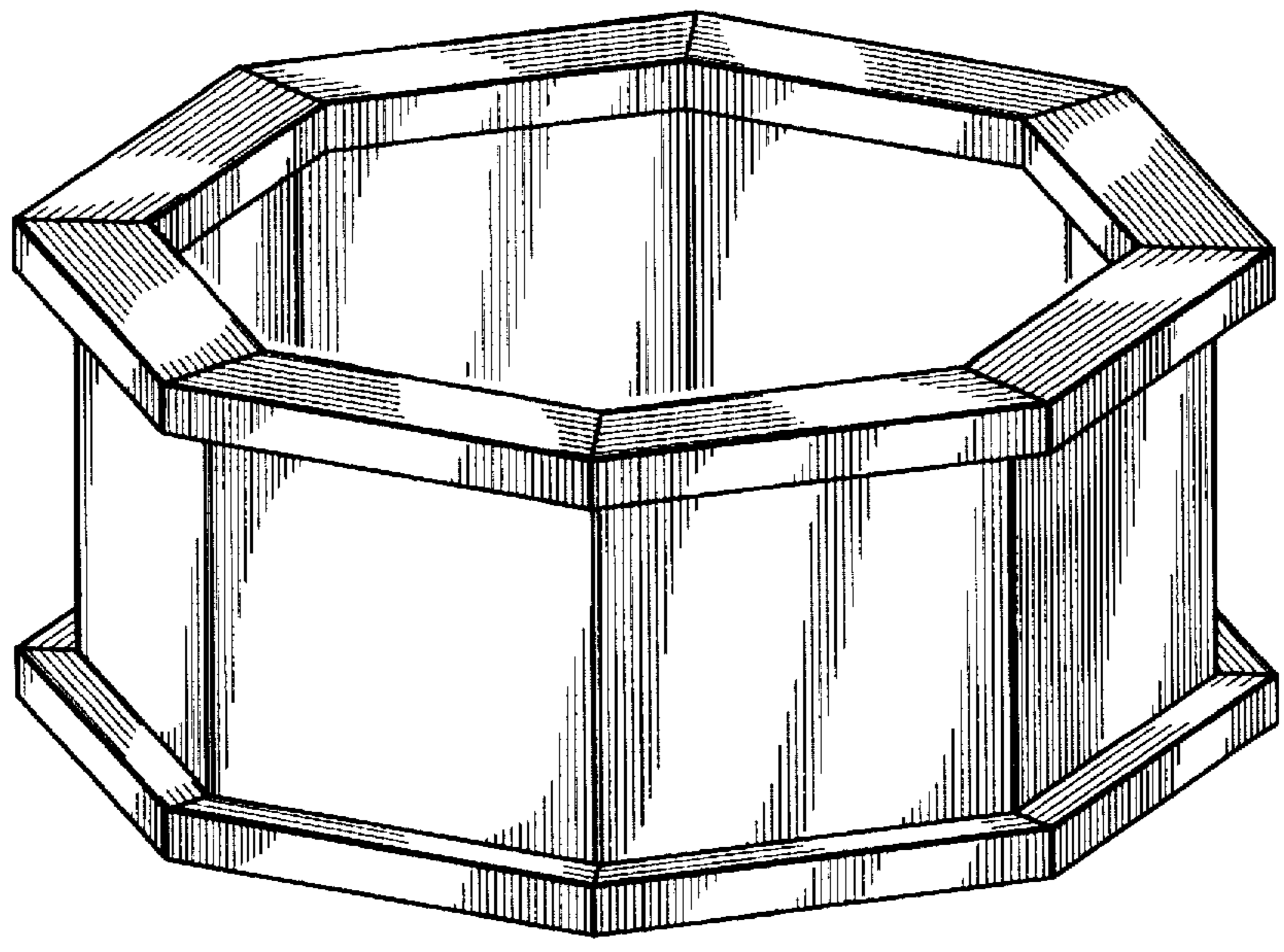


FIG. 1

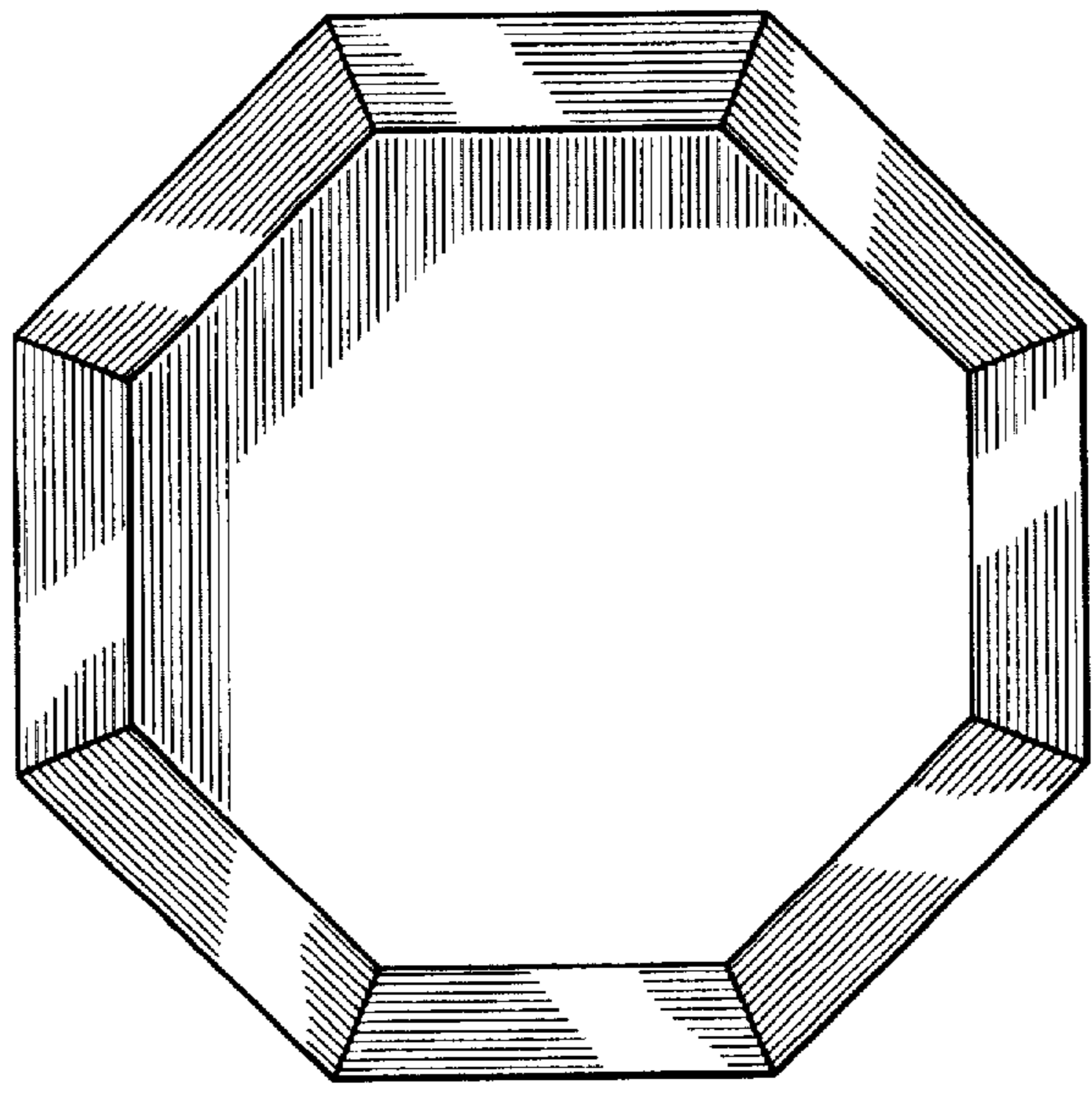


FIG. 2

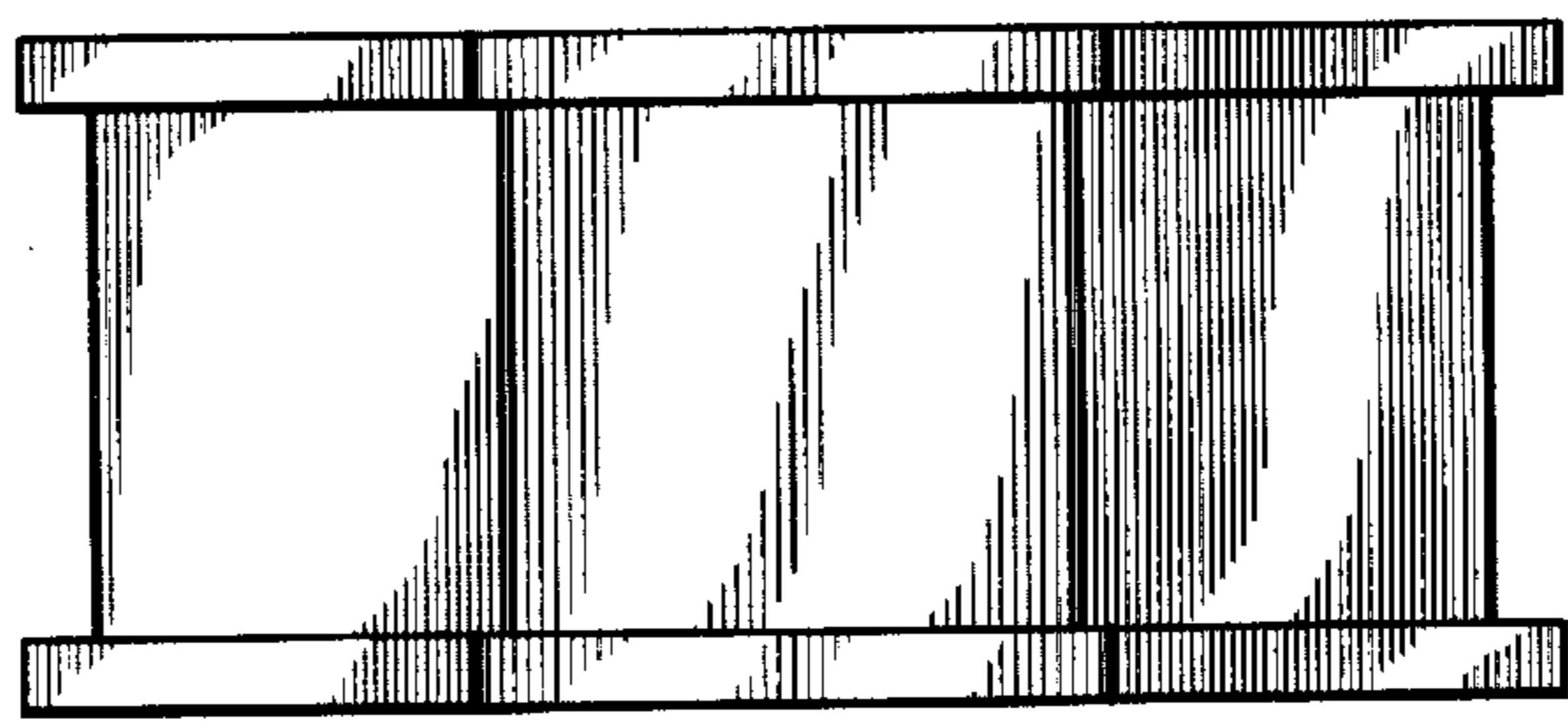


FIG. 3

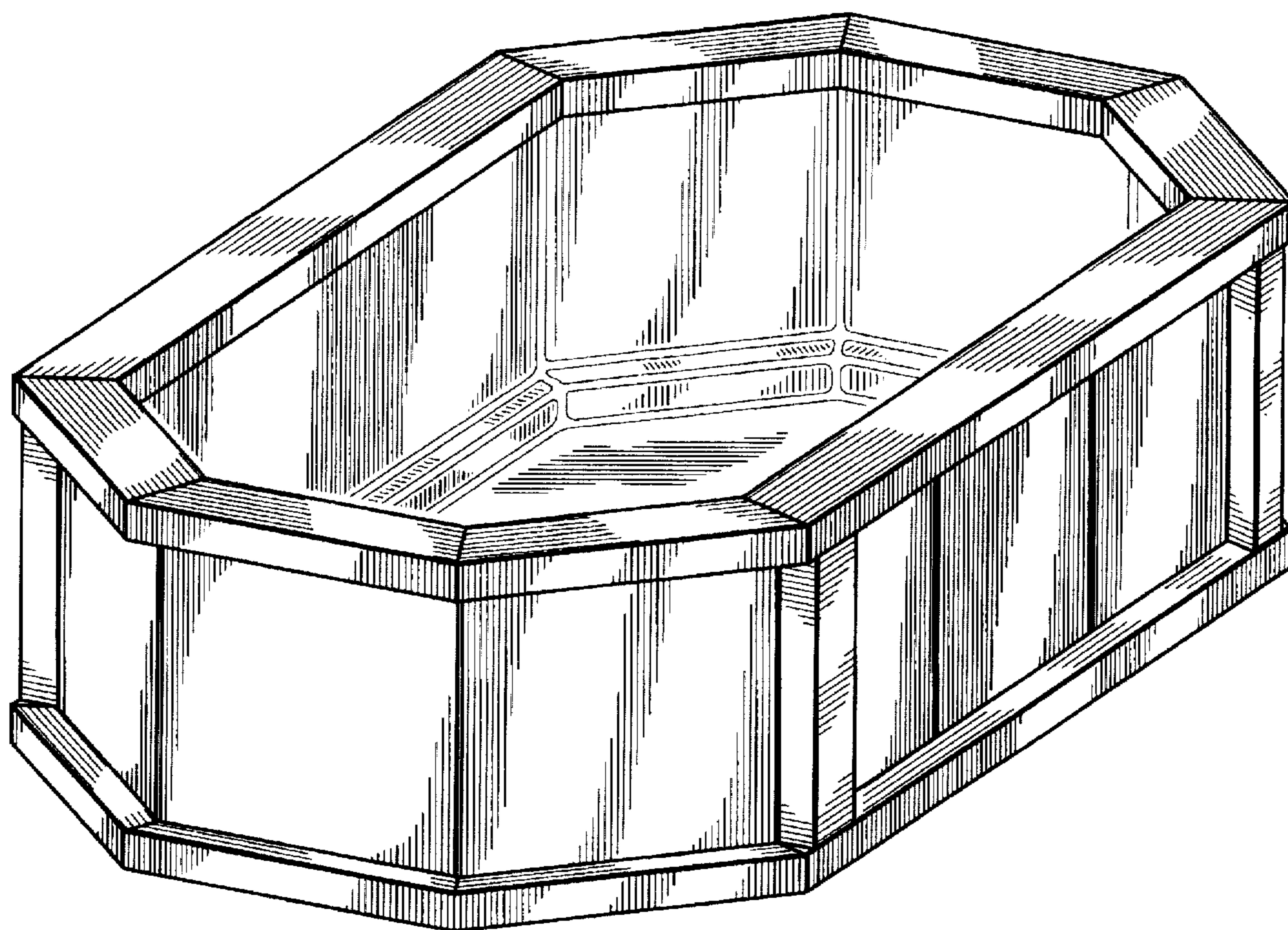


FIG. 4

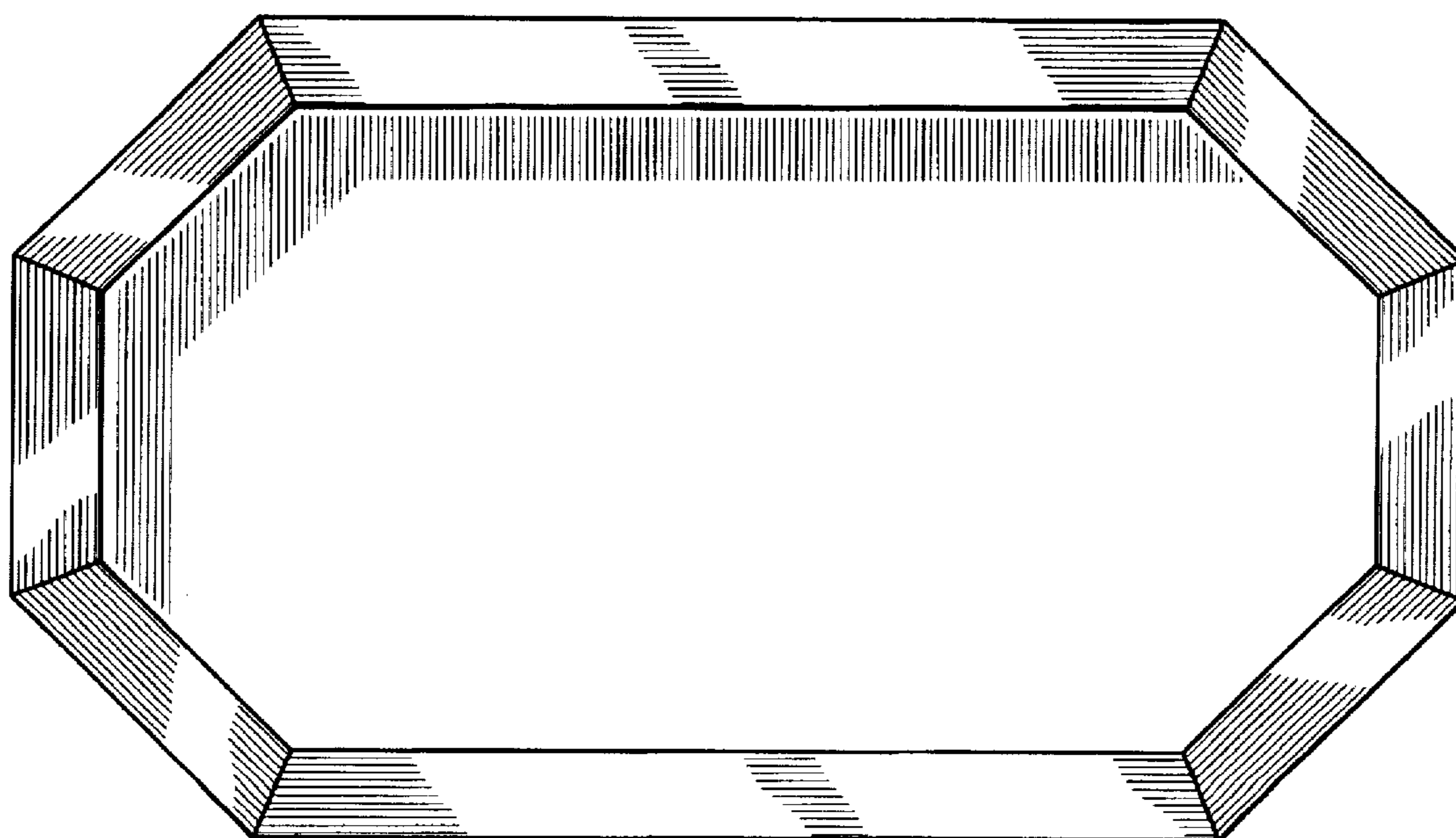


FIG. 5

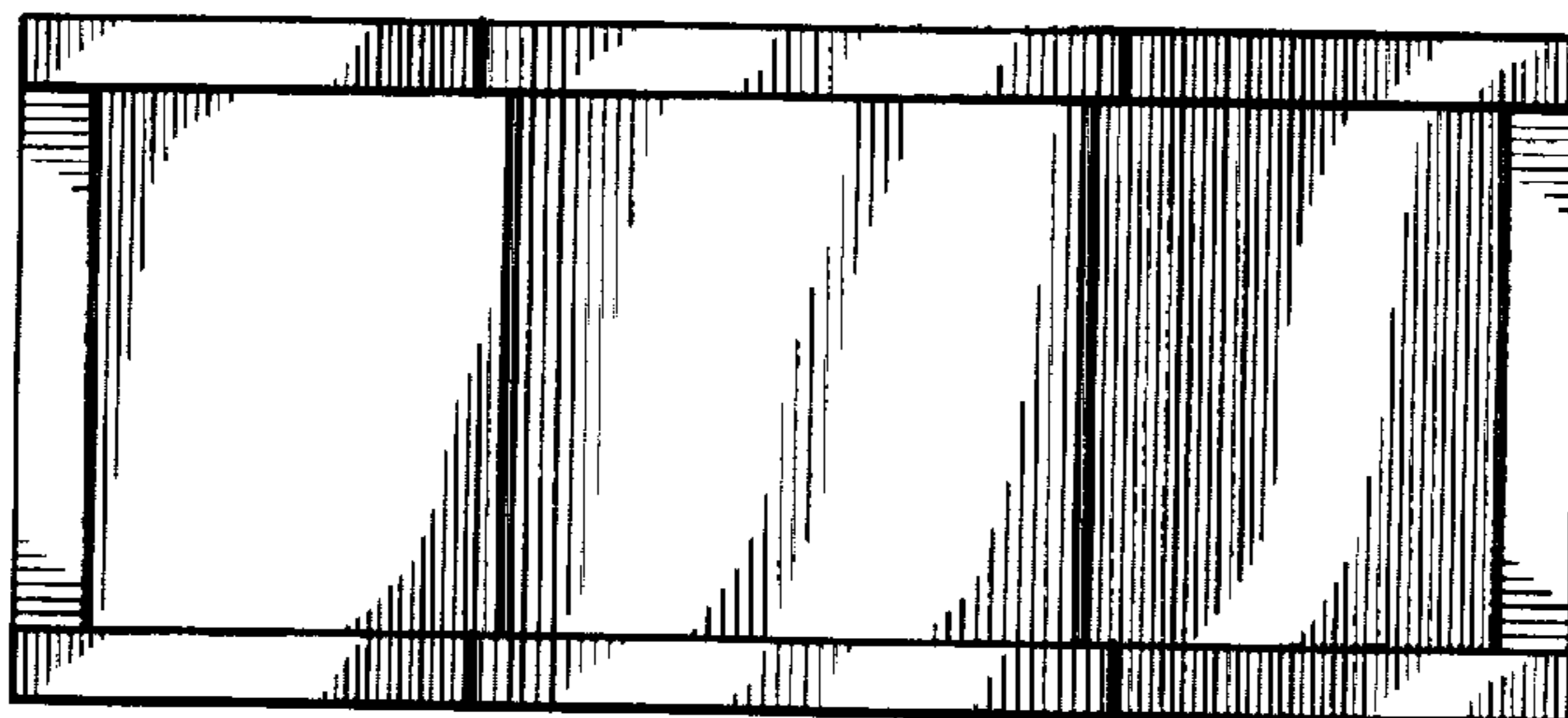


FIG. 6

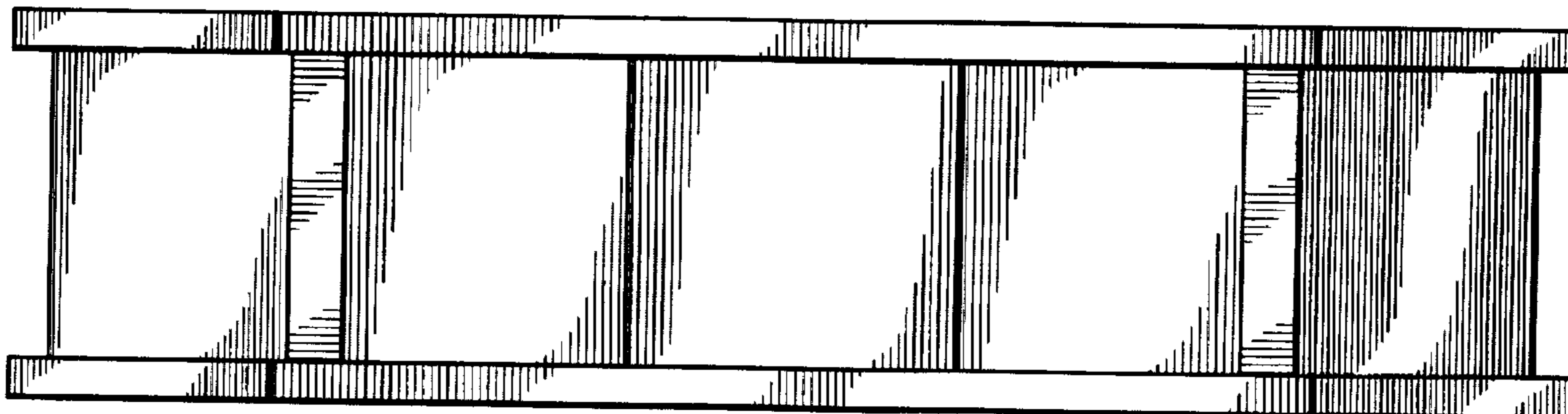


FIG. 7