



US00D383849S

United States Patent [19]
Wollman

[11] **Patent Number: Des. 383,849**

[45] **Date of Patent: **Sep. 16, 1997**

[54] **HAND-HELD MASSAGER**

[75] **Inventor: Matt J. Wollman, Sherman Oaks, Calif.**

[73] **Assignee: HWE, Inc., North Hollywood, Calif.**

[**] **Term: 14 Years**

[21] **Appl. No.: 56,385**

[22] **Filed: Jun. 27, 1996**

[51] **LOC (6) Cl. 28-03**

[52] **U.S. Cl. D24/215; D24/214**

[58] **Field of Search D24/215, 214, D24/200; 601/72, 46, 84, 87, 93, 101, 134, 135, 18**

[56] **References Cited**

U.S. PATENT DOCUMENTS

- D. 304,974 12/1989 Helligenstein D24/215
- D. 334,430 3/1993 Tsou D24/215
- D. 374,934 10/1996 Lie D24/215

- 3,467,080 9/1969 McNair 601/18
- 4,632,095 12/1986 Libin 601/135
- 4,846,158 7/1989 Teranishi 601/72

Primary Examiner—Stella Reid
Attorney, Agent, or Firm—Christie, Parker & Hale, LLP

[57] **CLAIM**

The ornamental design for hand-held massager, as shown and described.

DESCRIPTION

FIG. 1 is a perspective view of a hand-held massager showing my new design;
FIG. 2 is a left elevation view of the hand-held massager;
FIG. 3 is a back elevation view of the hand-held massager;
FIG. 4 is a front elevation view of the hand-held massager;
FIG. 5 is a top elevation view of the hand-held massager; and,
FIG. 6 is a bottom elevation view of the hand-held massager. The fragmentary showing of the cord in FIGS. 1-4 and 6 is for ease of illustration.

1 Claim, 5 Drawing Sheets

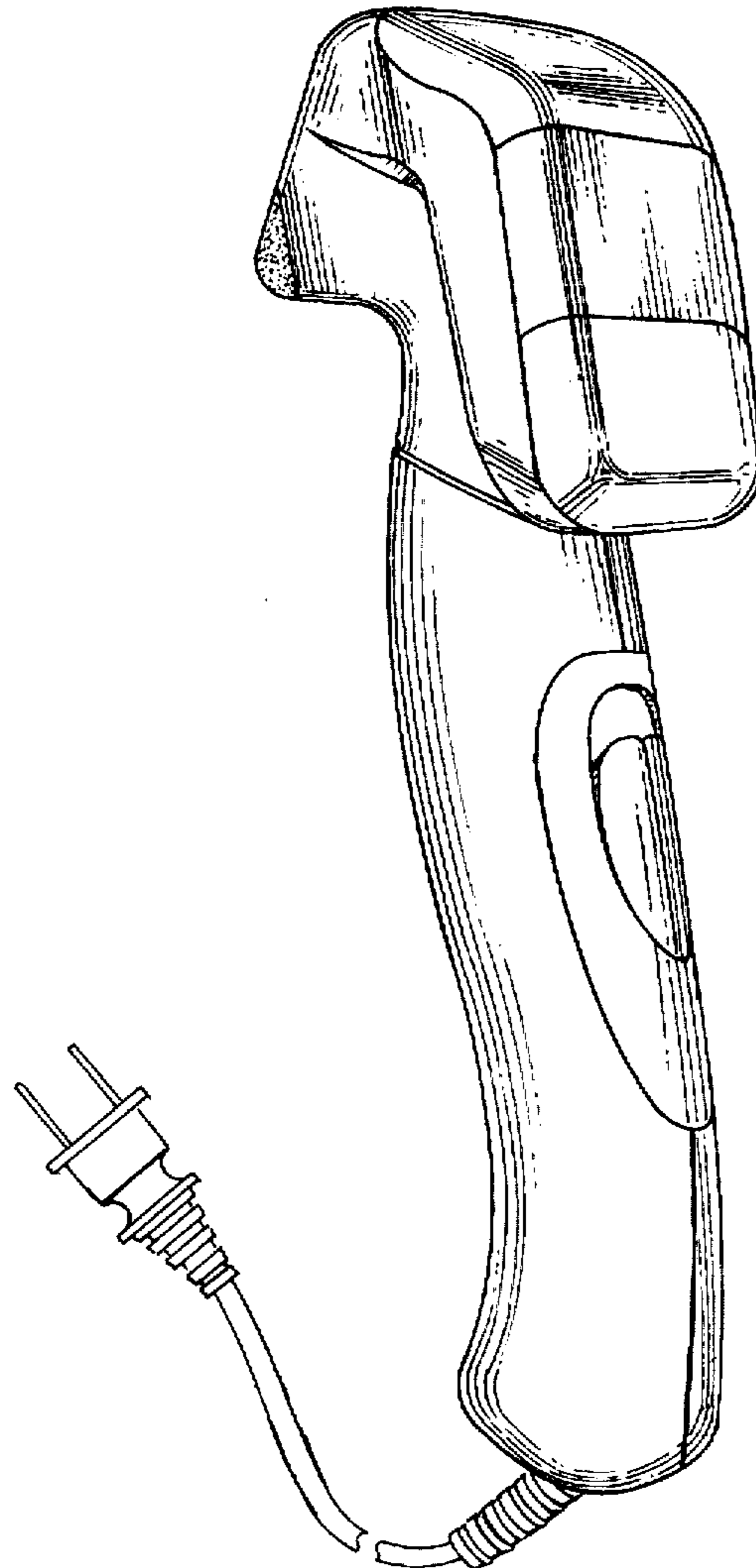


Fig. 1

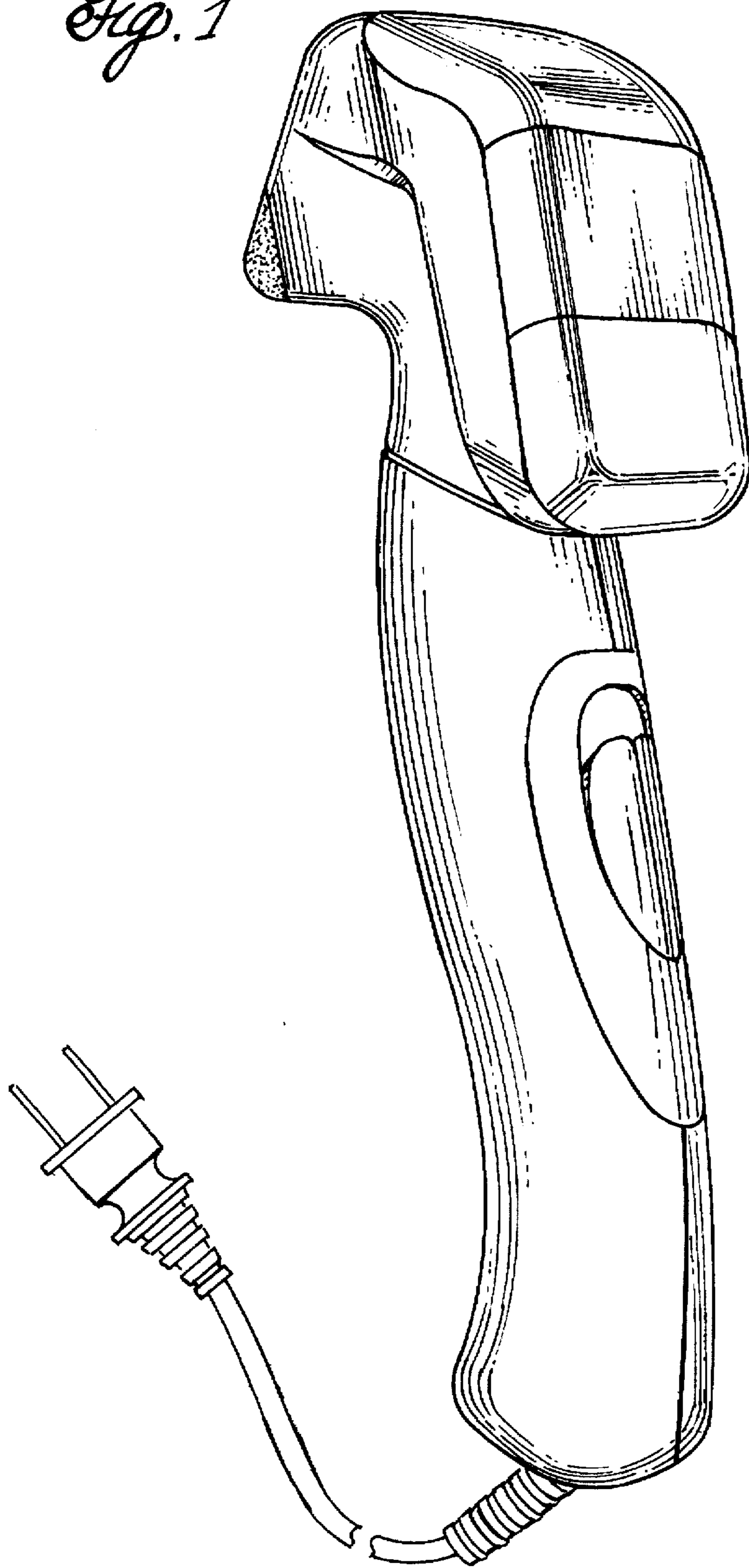


Fig. 2

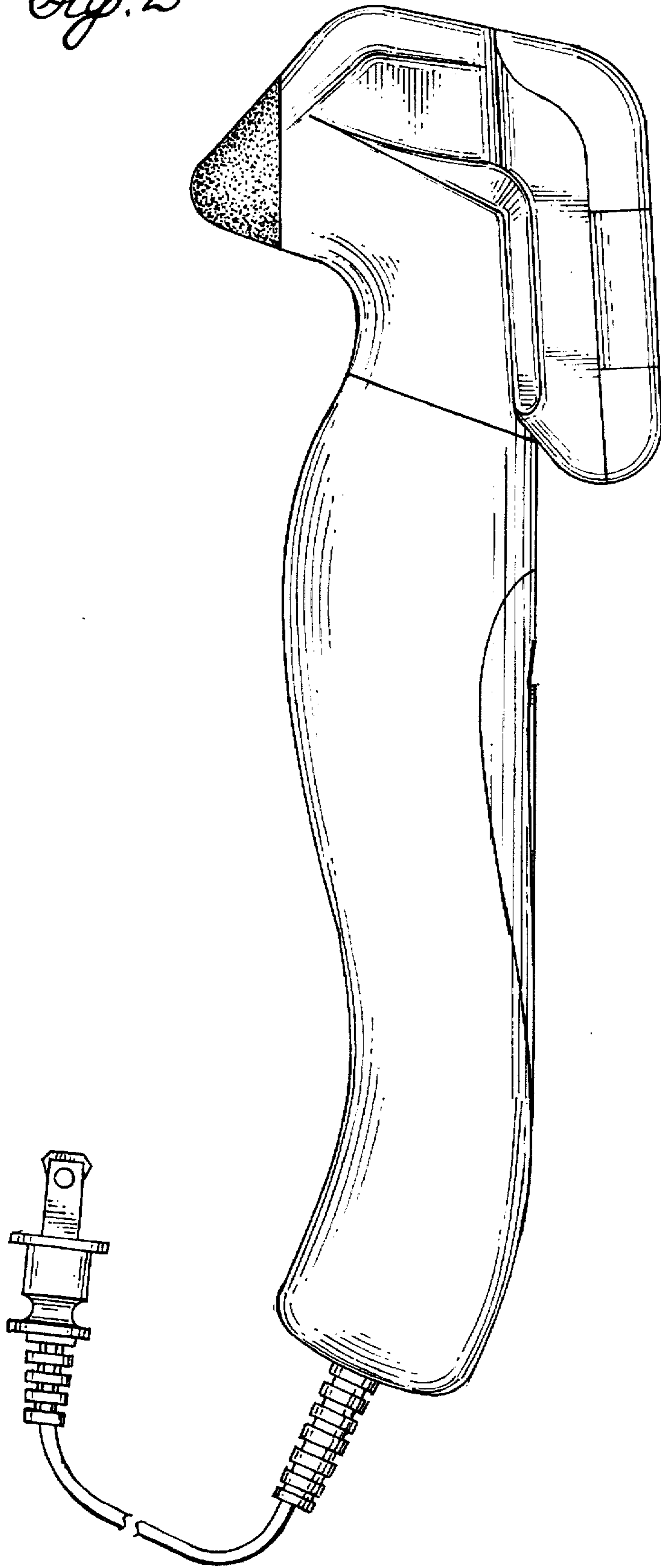


Fig. 3

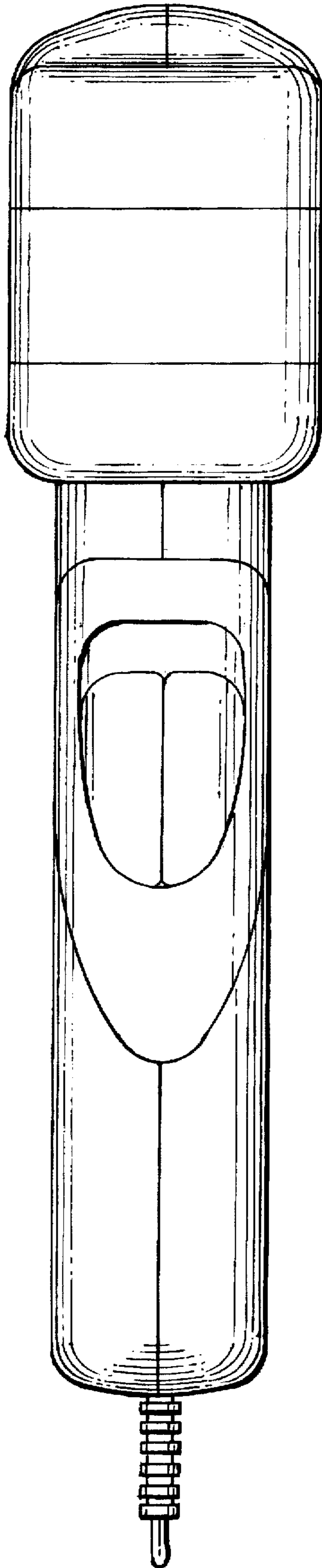


Fig. 4

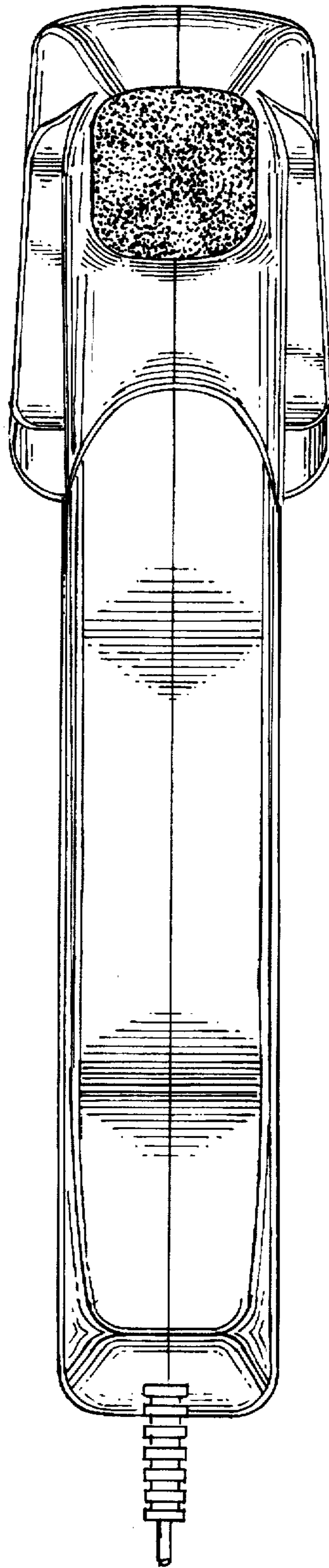


Fig. 5

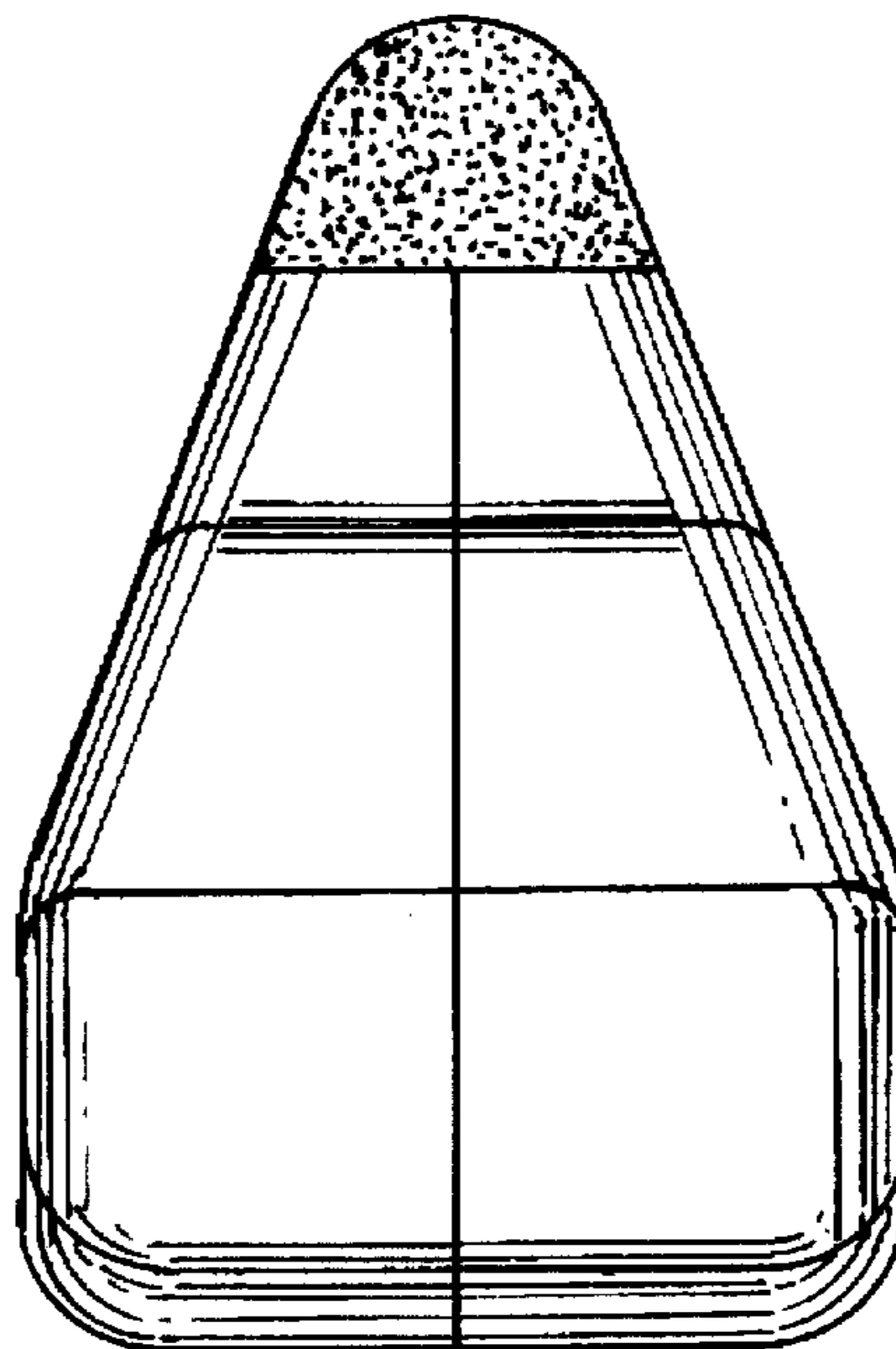


Fig. 6

