



US00D383844S

United States Patent [19]
Kelly

[11] **Patent Number:** **Des. 383,844**

[45] **Date of Patent:** ****Sep. 16, 1997**

[54] **BONDING BASE FOR ORTHODONTIC APPLIANCE**

[75] **Inventor:** **John S. Kelly**, Arcadia, Calif.

[73] **Assignee:** **Minnesota Mining and Manufacturing Company**, St. Paul, Minn.

[**] **Term:** **14 Years**

[21] **Appl. No.:** **53,992**

[22] **Filed:** **May 3, 1996**

[51] **LOC (6) Cl.** **24-02**

[52] **U.S. Cl.** **D24/180**

[58] **Field of Search** **D24/156, 176-182; 433/7, 9, 24, 215, 8**

[56] **References Cited**

U.S. PATENT DOCUMENTS

4,609,350 9/1986 Krause 433/7
5,480,301 1/1996 Farzin-Nia et al. 433/9

OTHER PUBLICATIONS

3M Unitek Orthodontic Product Catalog, pp. 1-13, 1-19, 1-31, 1-56, 2-23, 2-24, 1996-97.
Dentaurum, Inc. Orthodontic Materials Catalog, pp. 38-39, copyright 1984.

Primary Examiner—Kay H. Chin
Attorney, Agent, or Firm—Gary L. Griswold; Walter N. Kirn; James D. Christoff

[57] **CLAIM**

The ornamental design for a bonding base for orthodontic appliance, as shown and described.

DESCRIPTION

FIG. 1 is a bottom, front, left side perspective view of a bonding base for an orthodontic appliance showing my new design;

FIG. 2 is a rear elevational view thereof;

FIG. 3 is a front elevational view thereof;

FIG. 4 is a left side elevational view thereof, the left side being a mirror image;

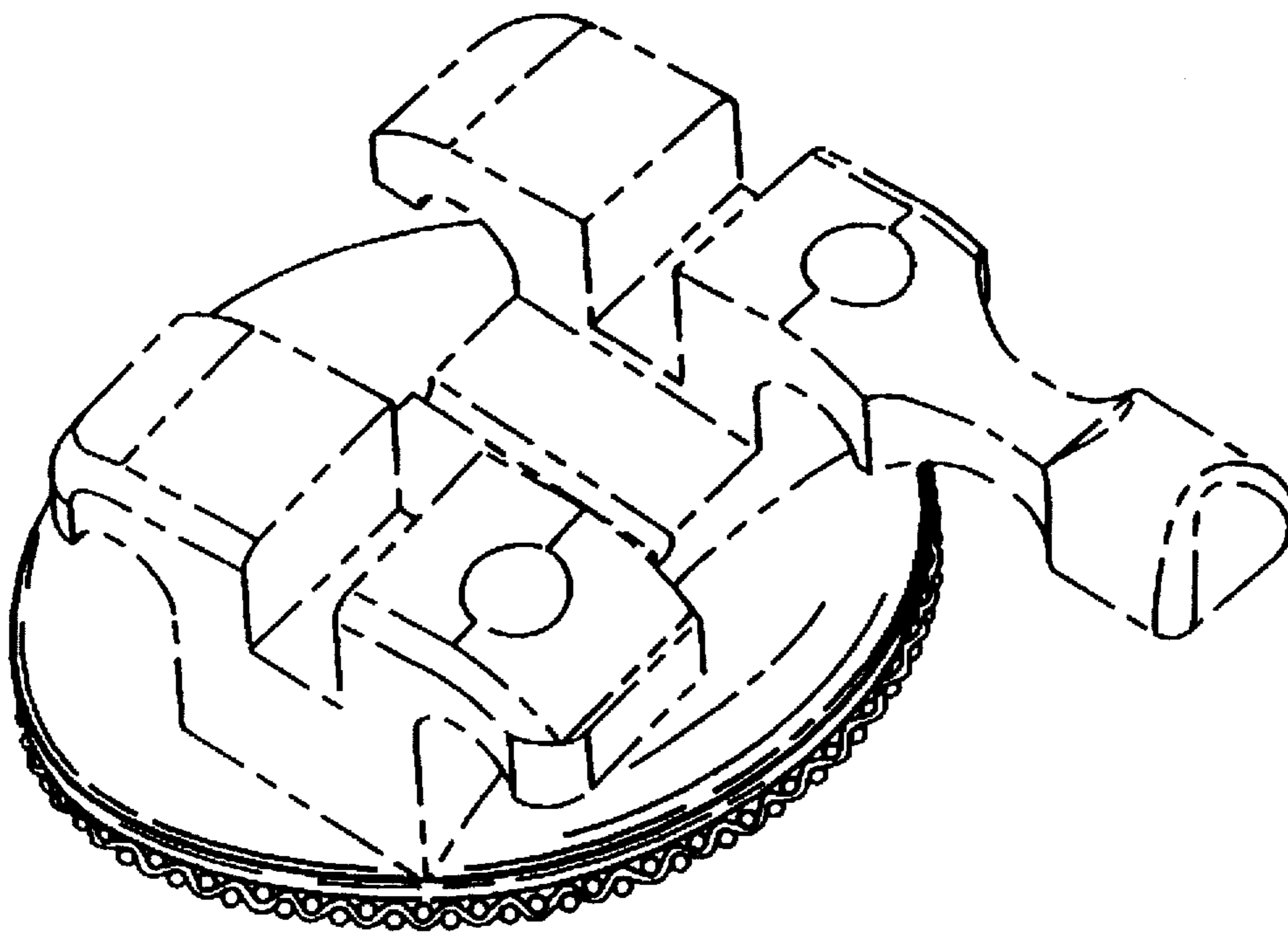
FIG. 5 is a top plan view thereof;

FIG. 6 is a bottom view thereof; and,

FIG. 7 is a bottom, rear, left side perspective view thereof.

The broken line drawing of an orthodontic appliance is for illustrative purposes only and forms no part of the claimed design.

1 Claim, 3 Drawing Sheets



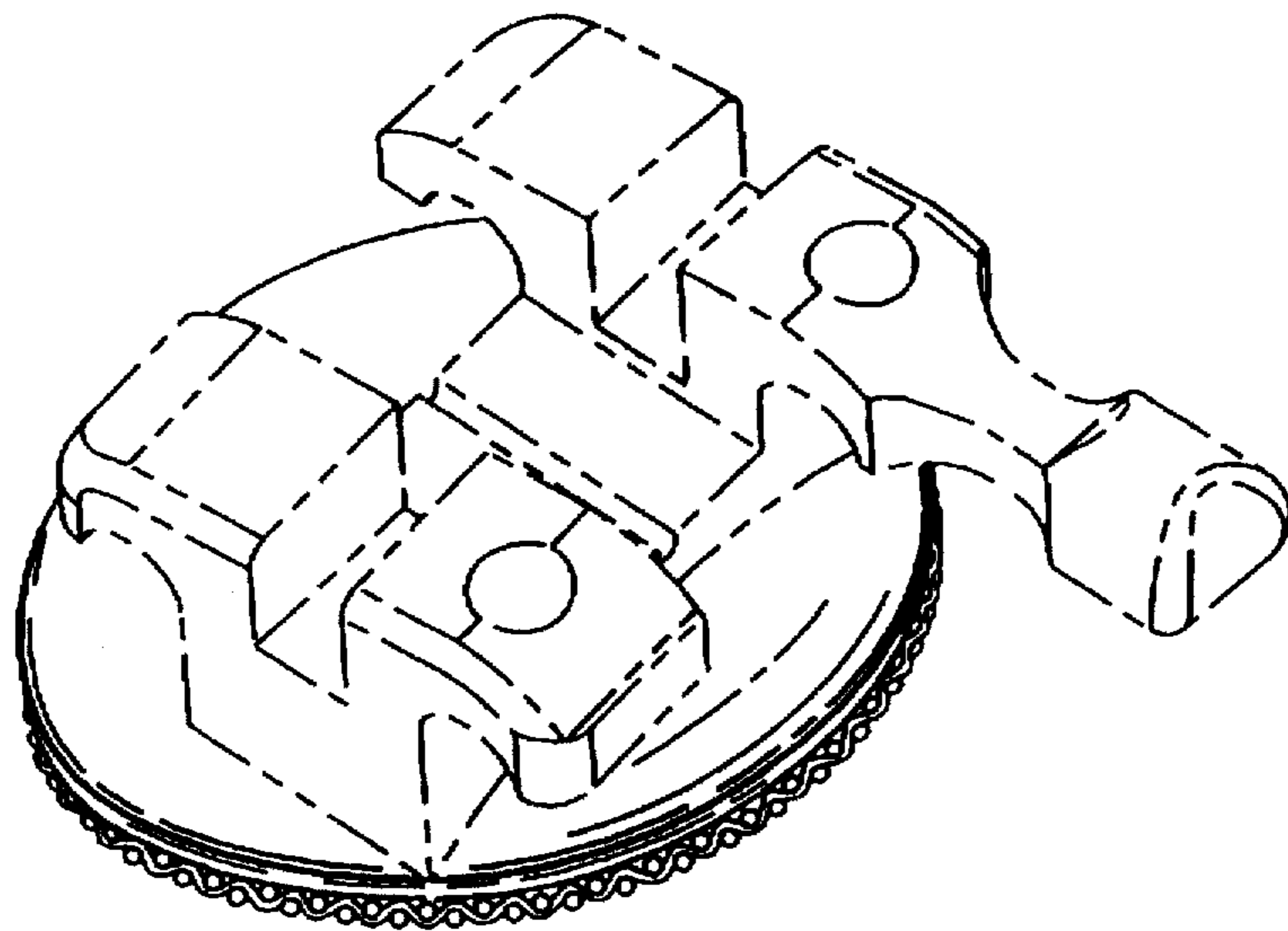


Fig. 1

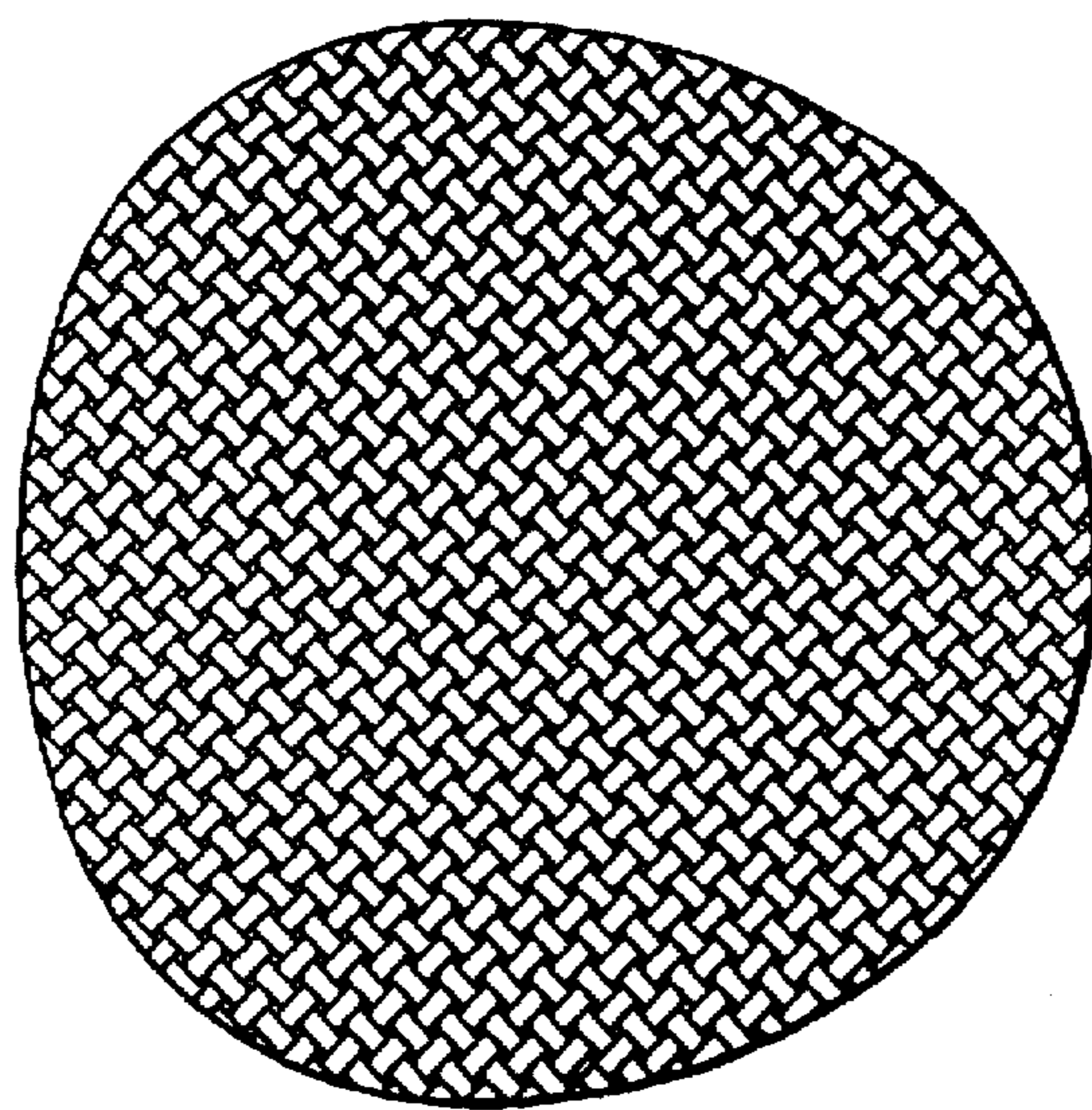


Fig. 2

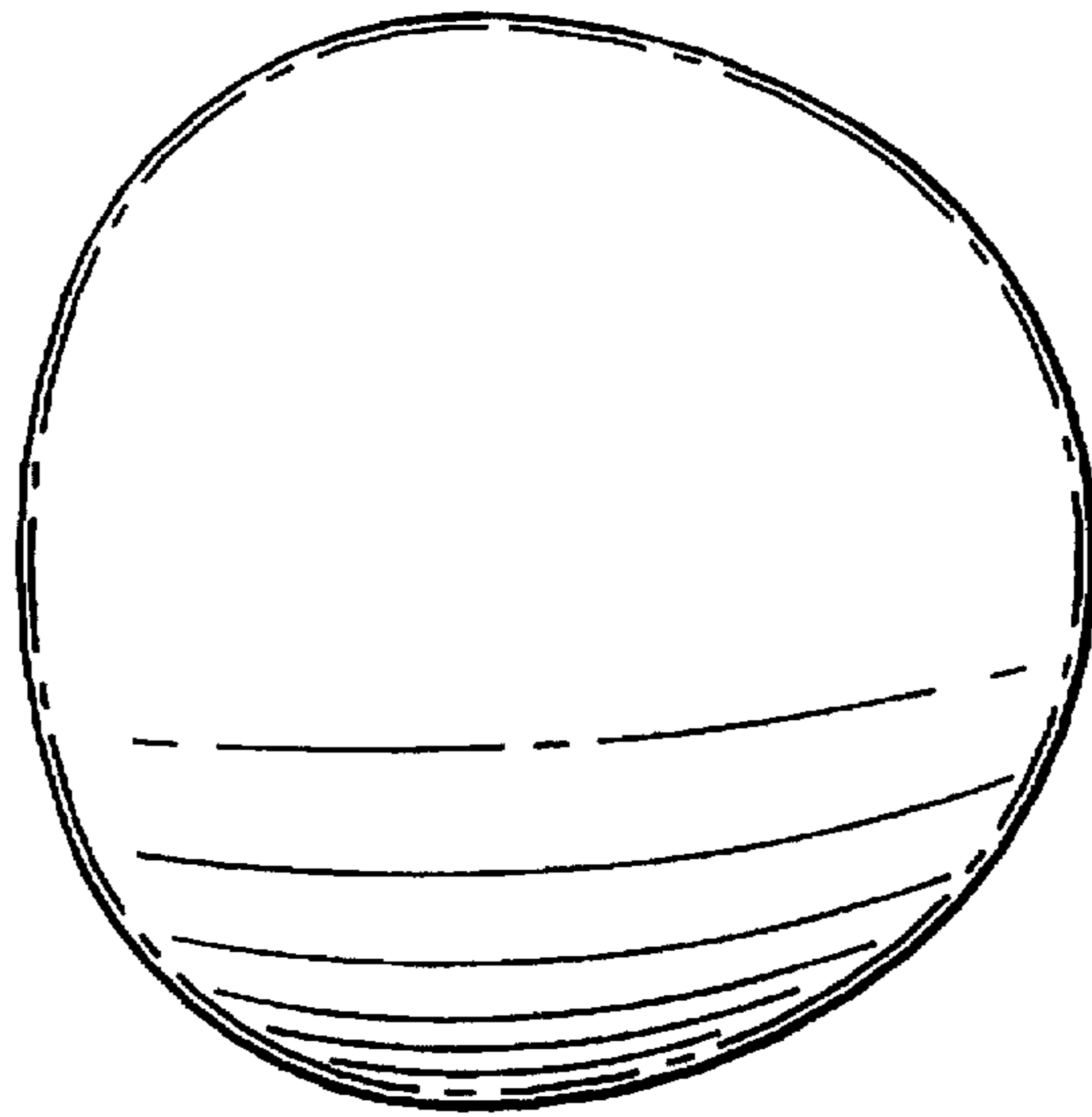


Fig. 3

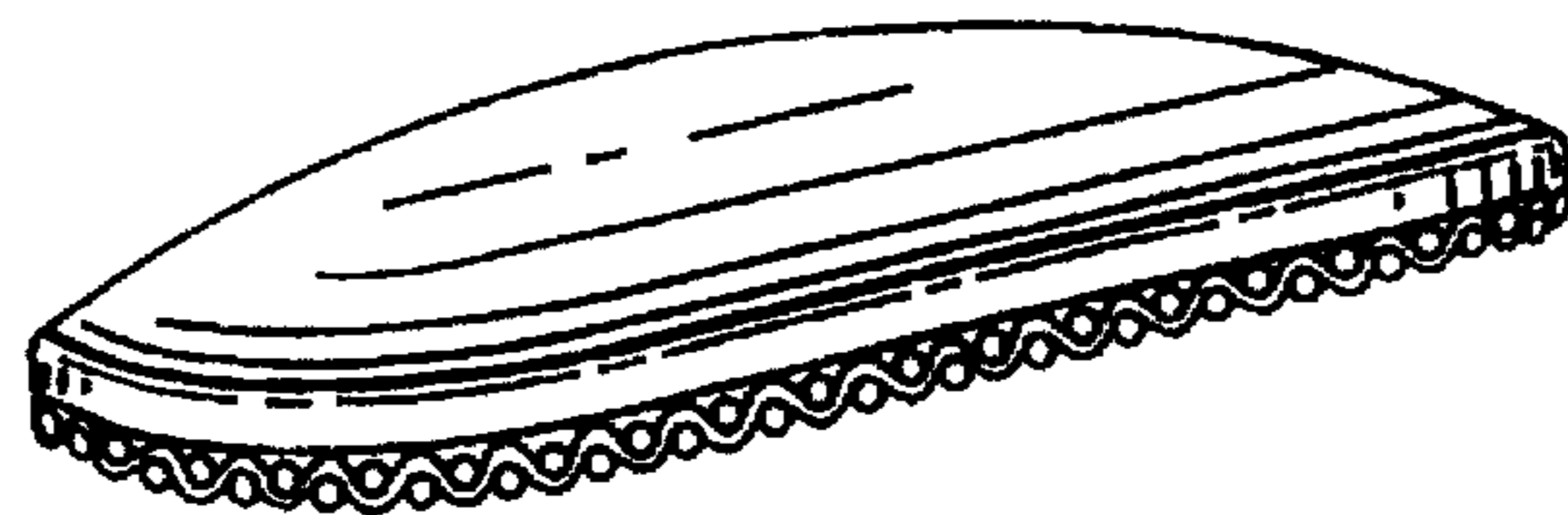


Fig. 4

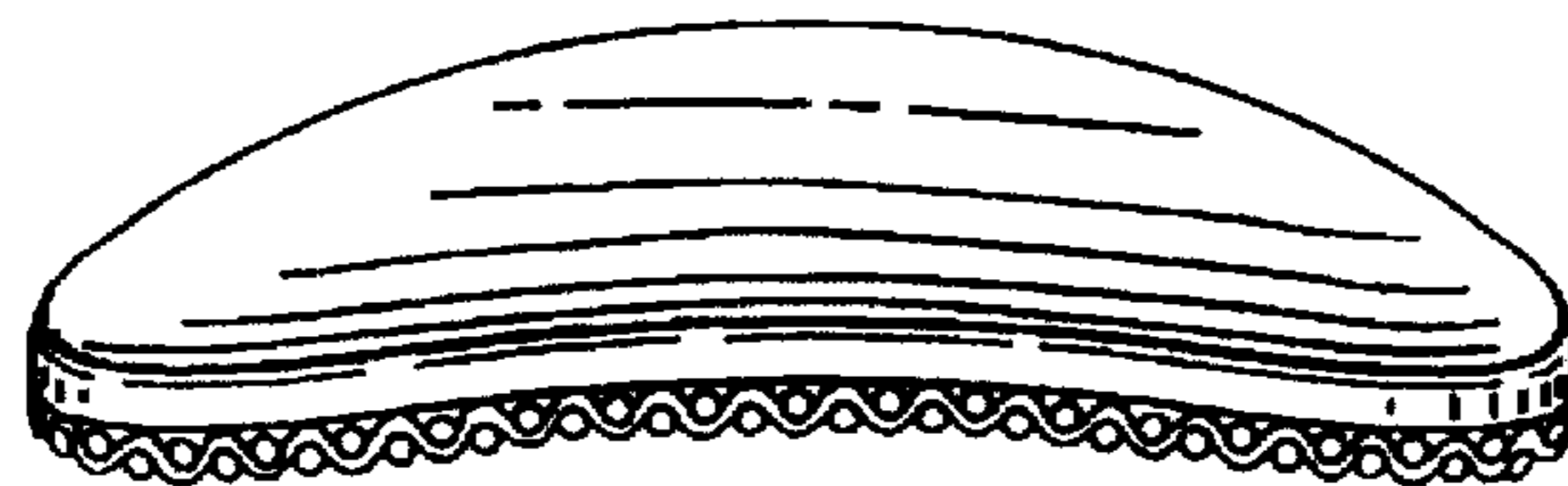


Fig. 5

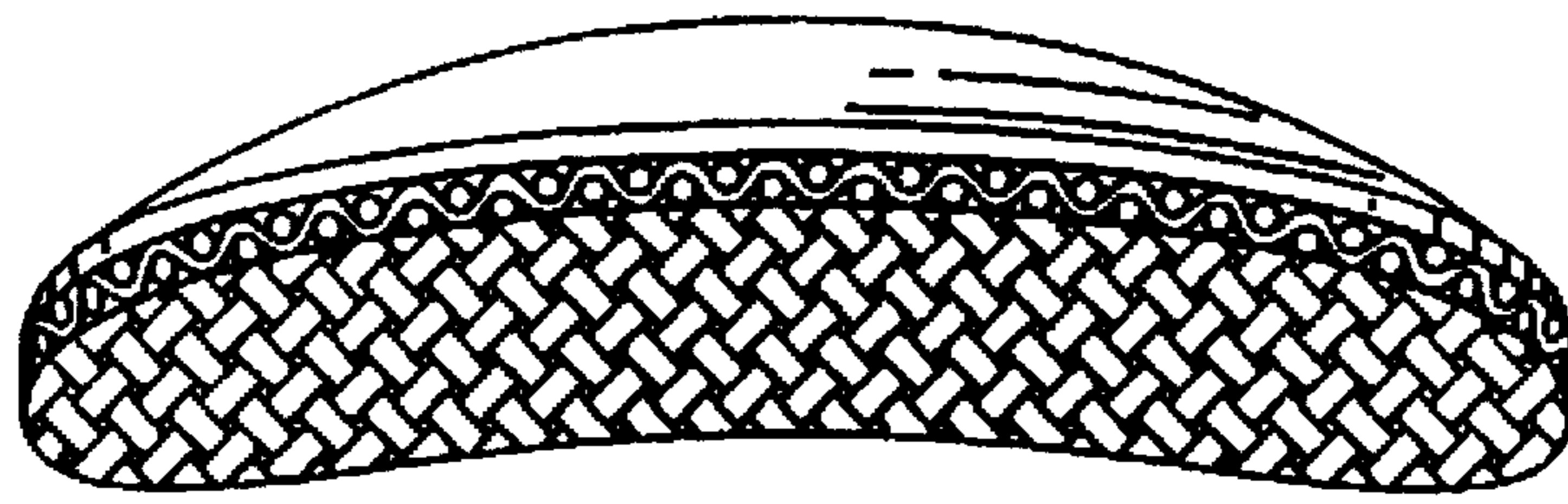


Fig. 6

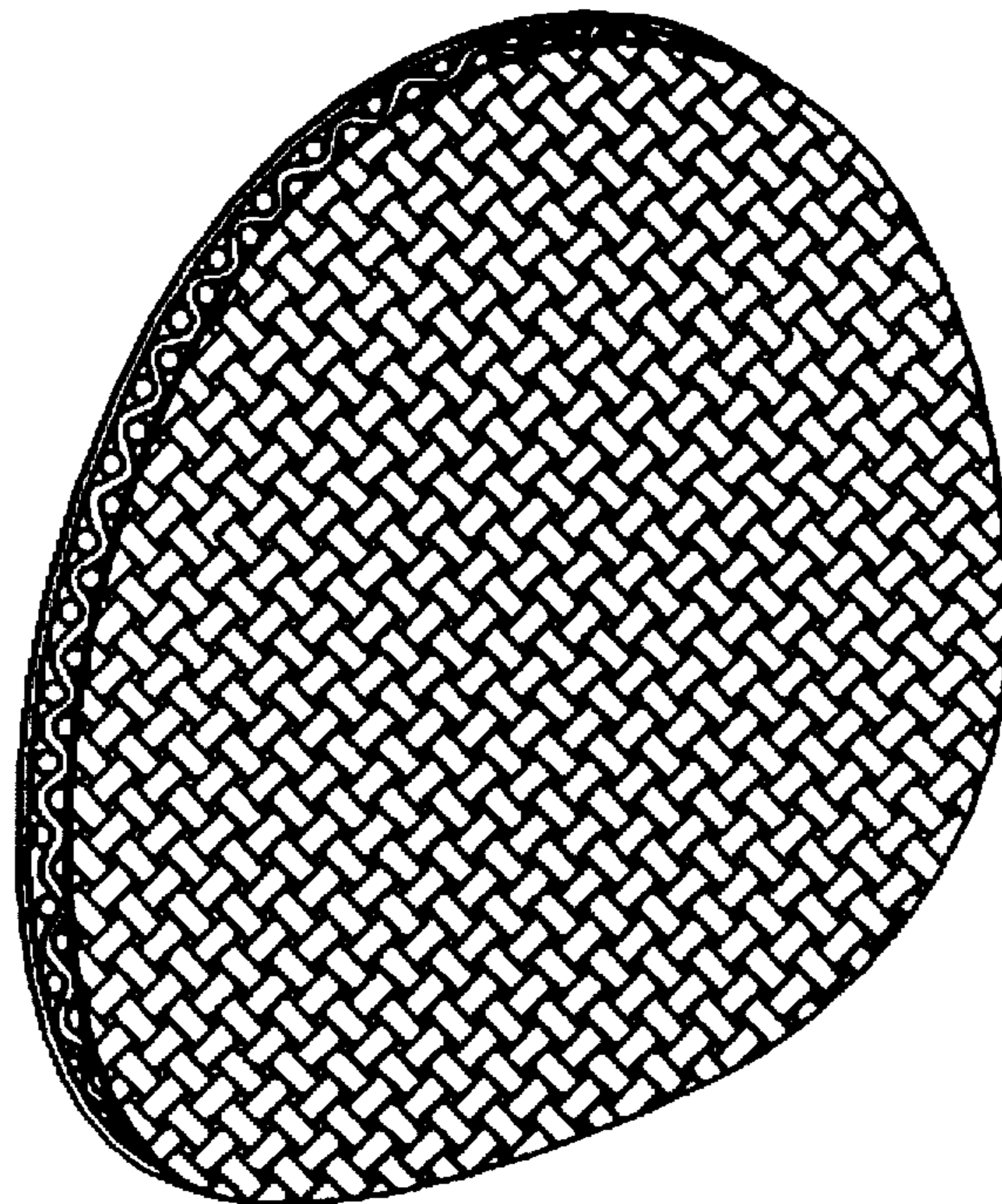


Fig. 7