

US00D383843S

United States Patent [19] Griffin

[11] Patent Number: Des. 383,843

[45] Date of Patent: **Sep. 16, 1997

[54] DENTAL INSTRUMENT COVER

[75] Inventor: Brad Griffin, Greenville, N.C.

[73] Assignee: Practicon, Inc., Greenville, N.C.

[**] Term: 14 Years

[21] Appl. No.: 51,594

[22] Filed: Mar. 14, 1996

[51] LOC (6) Cl. 24-02

[52] U.S. Cl. D24/176; D9/415

[58] Field of Search D24/176-182;
D9/345, 415, 422; 206/368, 362, 3, 63.5,
361, 362.4; 433/104; D3/205, 201

3,800,998 4/1974 Gask 206/362.4 X
 5,139,142 8/1992 Simon 206/362.3
 5,350,064 9/1994 Schneck 206/368

Primary Examiner—Kay H. Chin
 Attorney, Agent, or Firm—Shefte, Pinckney & Sawyer

[57] CLAIM

The ornamental design for a dental instrument cover, as shown and described.

DESCRIPTION

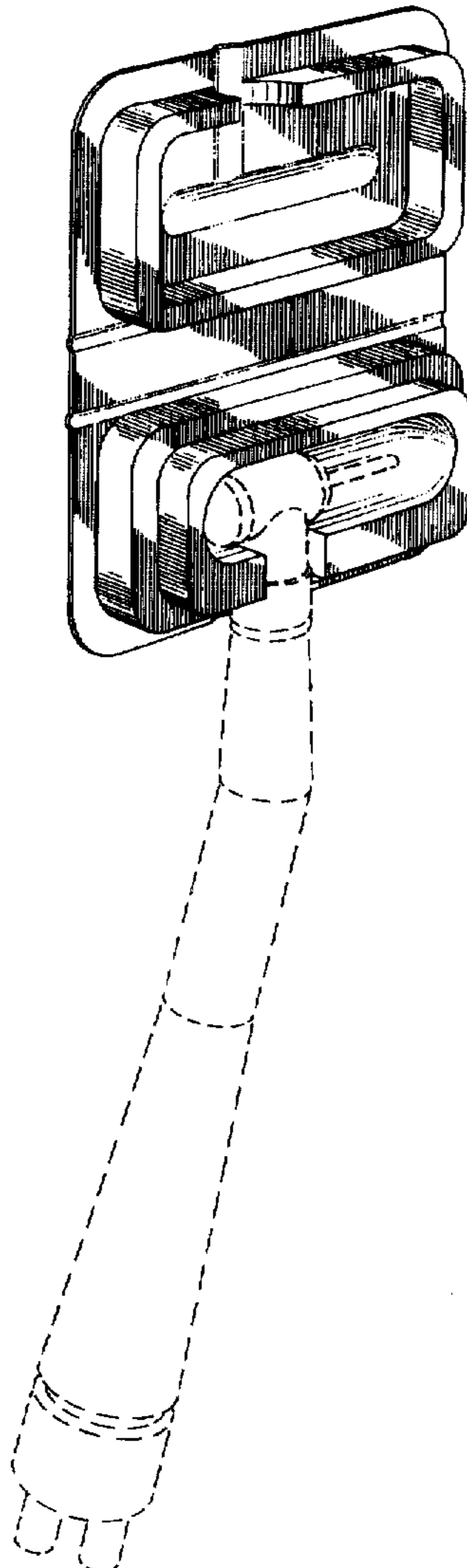
FIG. 1 is a perspective view of a dental instrument cover showing my new design, the broken lines are for illustrative purposes only and form no part of the claimed design; FIG. 2 is a front elevational view thereof; FIG. 3 is a top plan view thereof; FIG. 4 is a left side elevational view thereof; FIG. 5 is a right side elevational view thereof; FIG. 6 is a bottom plan view thereof; and, FIG. 7 is a rear elevational view thereof.

[56] References Cited

U.S. PATENT DOCUMENTS

D. 269,853 7/1983 Springett D9/345
 D. 281,580 12/1985 Stevens D9/415
 3,127,985 4/1964 Scott 206/362.3

1 Claim, 3 Drawing Sheets



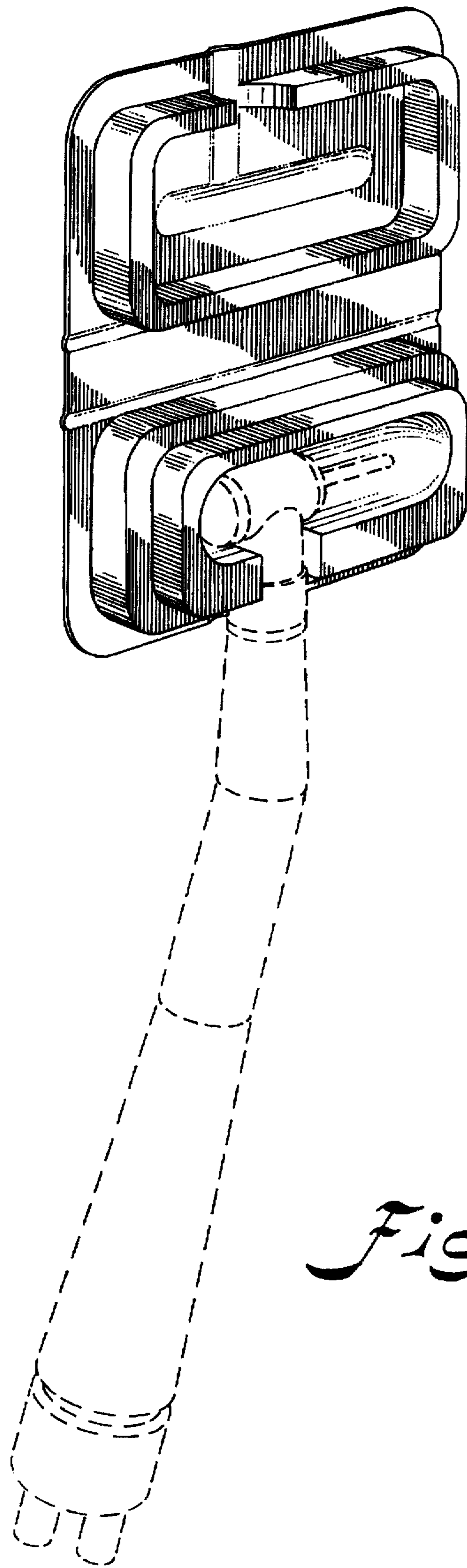


Fig. 1



Fig. 2

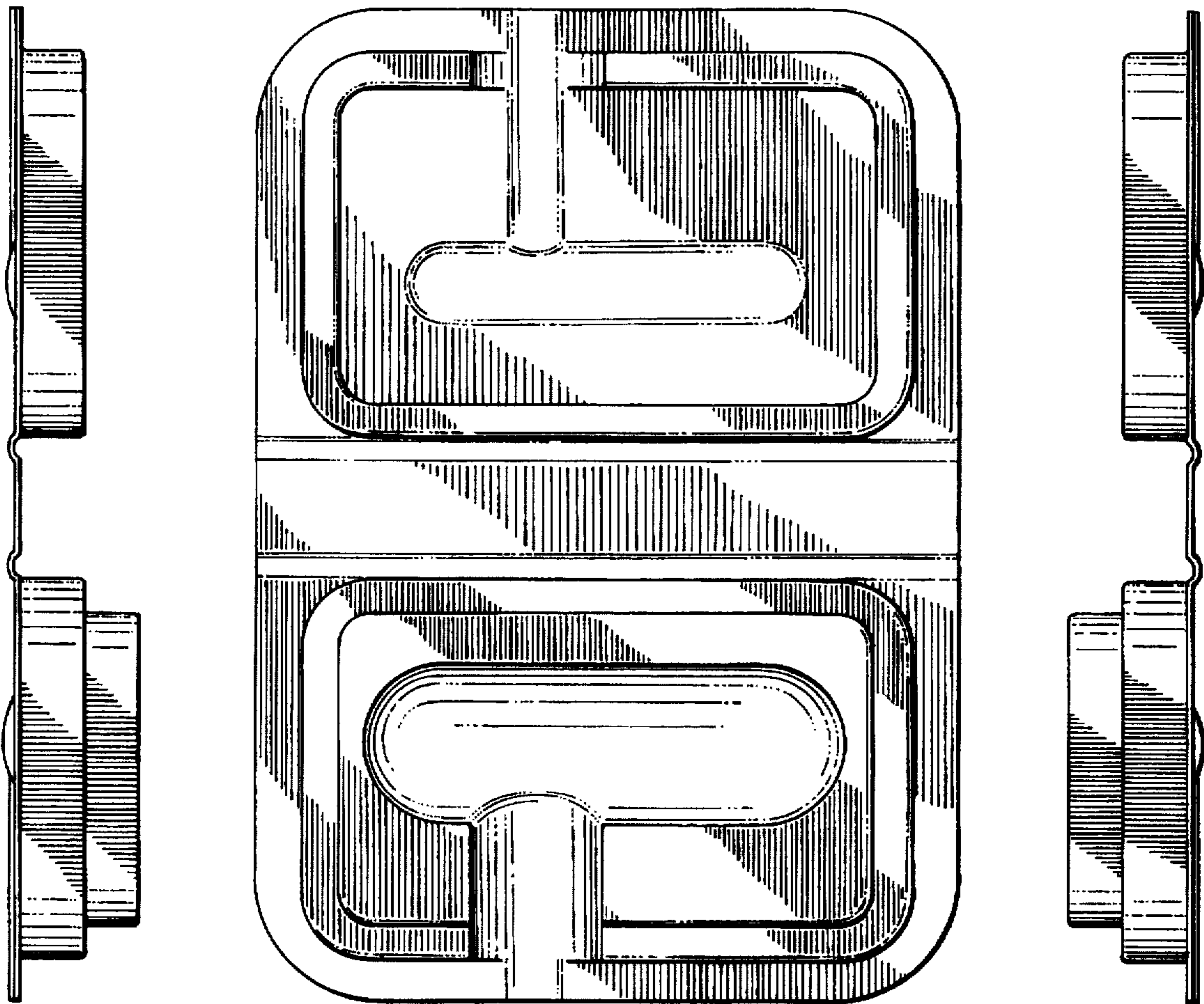


Fig. 4

Fig. 3

Fig. 5

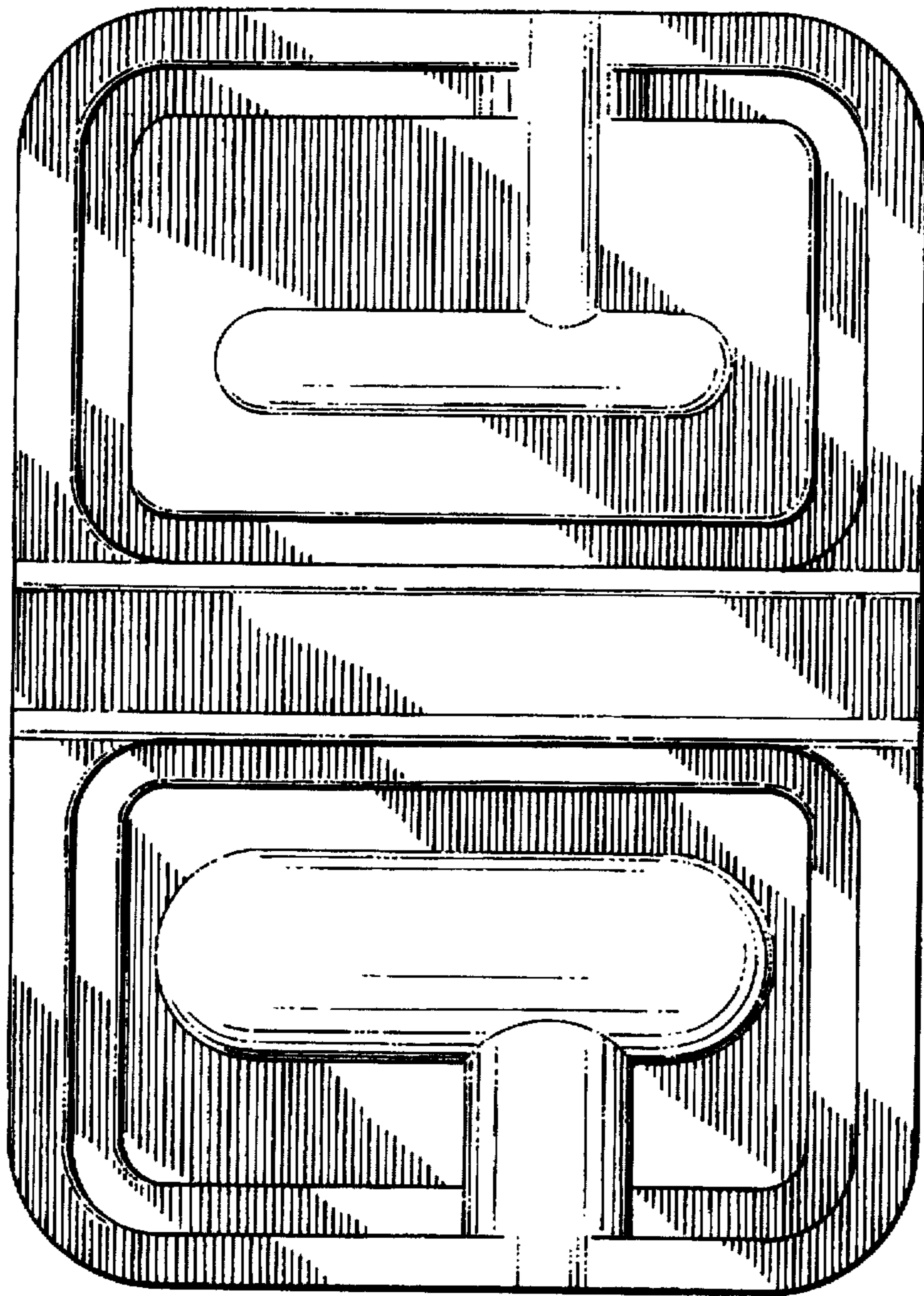


Fig. 6

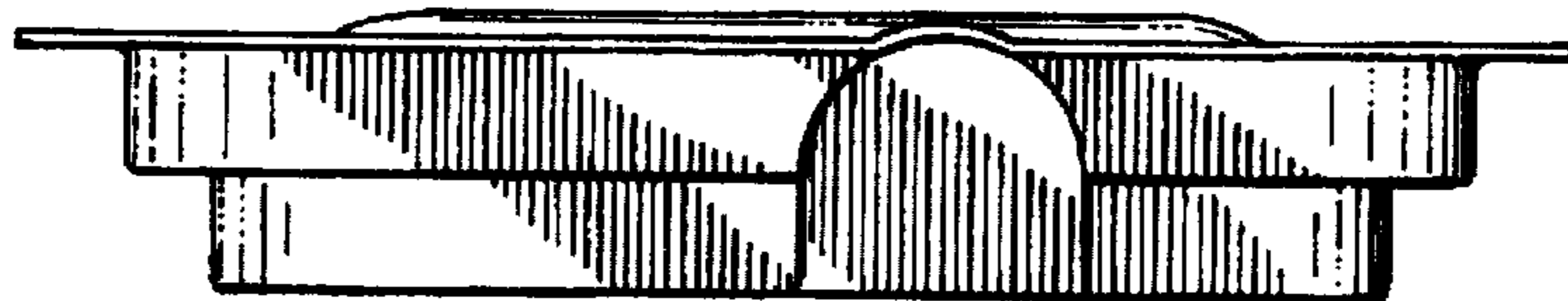


Fig. 7