



US00D383842S

**United States Patent** [19]  
**Kenley et al.**

[11] **Patent Number:** **Des. 383,842**  
[45] **Date of Patent:** **\*\*Sep. 16, 1997**

[54] **DIALYSIS MACHINE**

D. 234,878 4/1975 Sikes ..... D24/169  
D. 349,861 8/1994 Kanewski et al. .  
5,326,476 7/1994 Grogan et al. .

[75] Inventors: **Rodney S. Kenley**, Libertyville;  
**William C. Cesaroni**, Glenview;  
**Shawn O. Barrett**, Grayslake; **Jack B. Hough**, Chicago, all of Ill.; **Michael D. Peters**, West Bend, Wis.; **Dawn Matthews**, Grayslake, Ill.; **Dennis M. Treu**, Gurnee, Ill.; **Steven J. Wroblewski**, Darien, Ill.; **Thomas M. Feldsien**, Island Lake, Ill.; **Anthony M. Anello**, Bartlett, Ill.; **Wayne F. Adolf**, Mount Prospect, Ill.; **Lori A. Plummer**, Spring Grove, Ill.

*Primary Examiner*—Stella Reid  
*Attorney, Agent, or Firm*—McDonnell Boehnen Hulbert & Berghoff

[57] **CLAIM**

The ornamental design for a dialysis machine, as shown and described.

**DESCRIPTION**

FIG. 1 is a perspective view of a dialysis machine, showing our new design;  
FIG. 2 is a left side elevational view thereof;  
FIG. 3 is a front elevational view thereof;  
FIG. 4 is a right side elevational view thereof;  
FIG. 5 is a rear elevational view thereof;  
FIG. 6 is a top plan view thereof;  
FIG. 7 is a perspective view of an alternate embodiment of the dialysis machine, showing our new design;  
FIG. 8 is a left side elevational view thereof;  
FIG. 9 is a front elevational view thereof;  
FIG. 10 is a right side elevational view thereof;  
FIG. 11 is a rear elevational view thereof; and  
FIG. 12 is a top plan view thereof.

[73] Assignee: **AKSYS, Ltd.**, Lincolnshire, Ill.

[\*\*] Term: **14 Years**

[21] Appl. No.: **52,303**

[22] Filed: **Apr. 1, 1996**

[51] LOC (6) Cl. .... **24-01**

[52] U.S. Cl. .... **D24/169**

[58] Field of Search ..... D24/169; 210/646,  
210/645, 321.71, 321.65; 364/510

[56] **References Cited**

**U.S. PATENT DOCUMENTS**

D. 219,565 12/1970 Pecker et al. .... D24/169

**1 Claim, 6 Drawing Sheets**

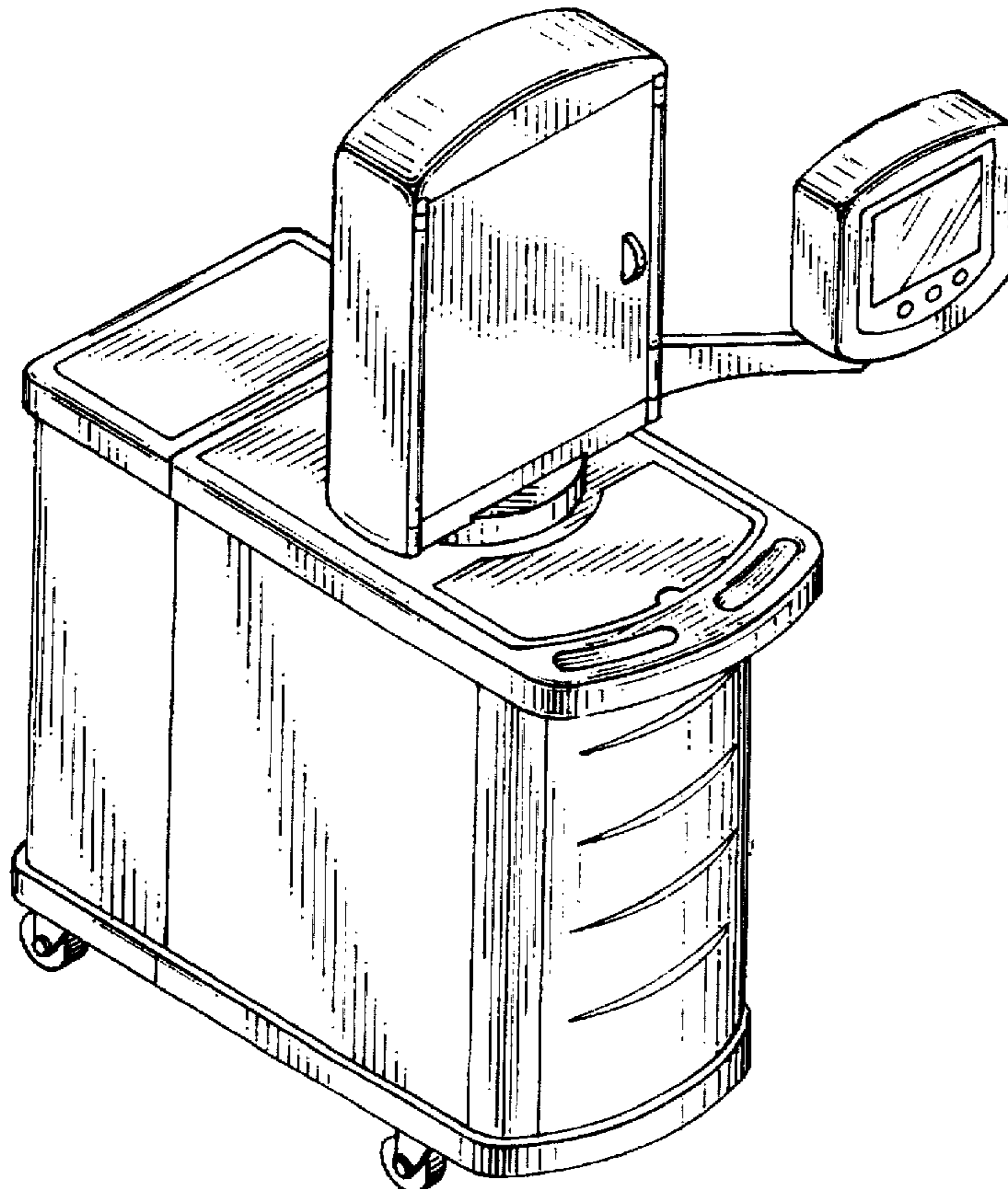


FIG.1

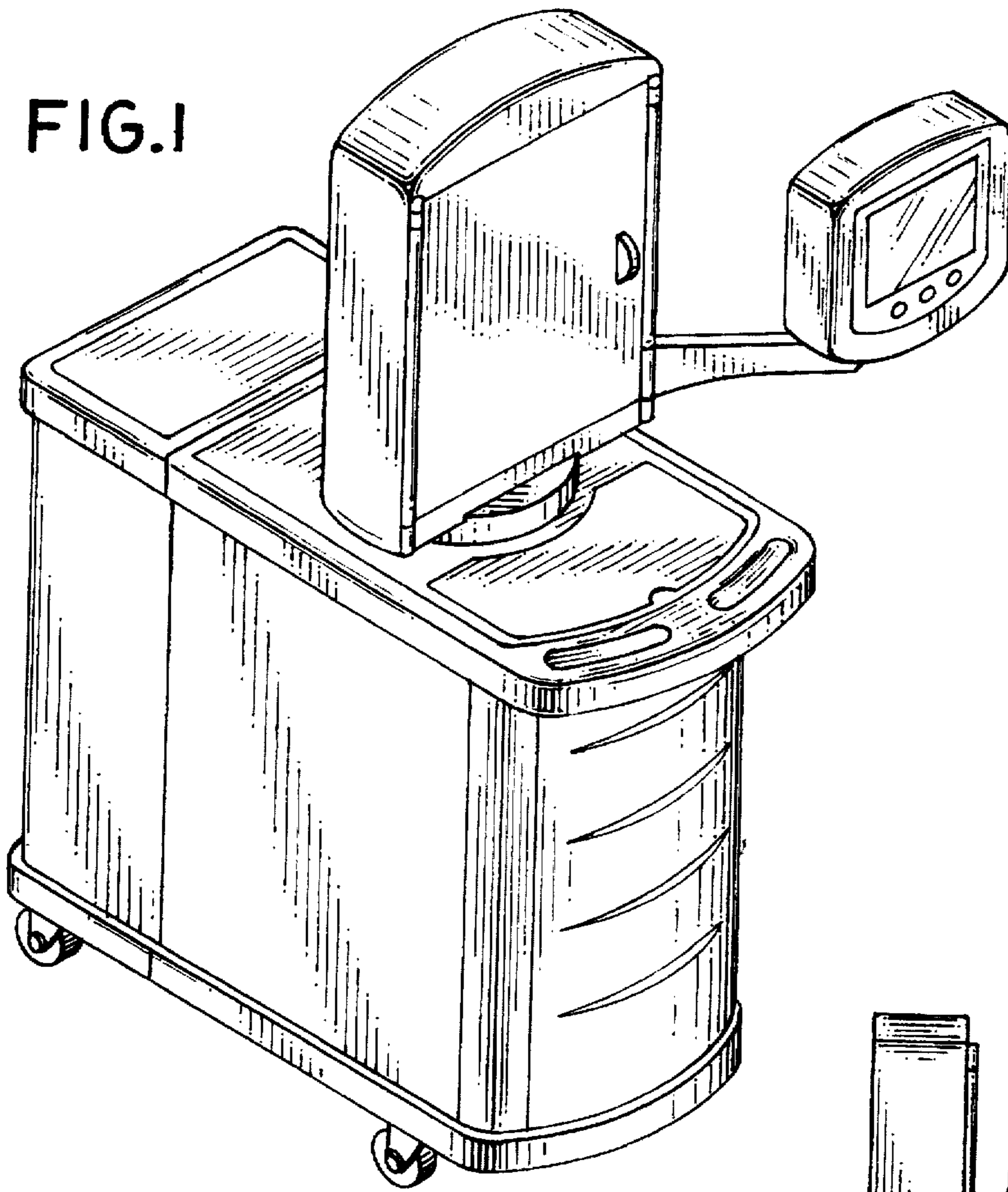
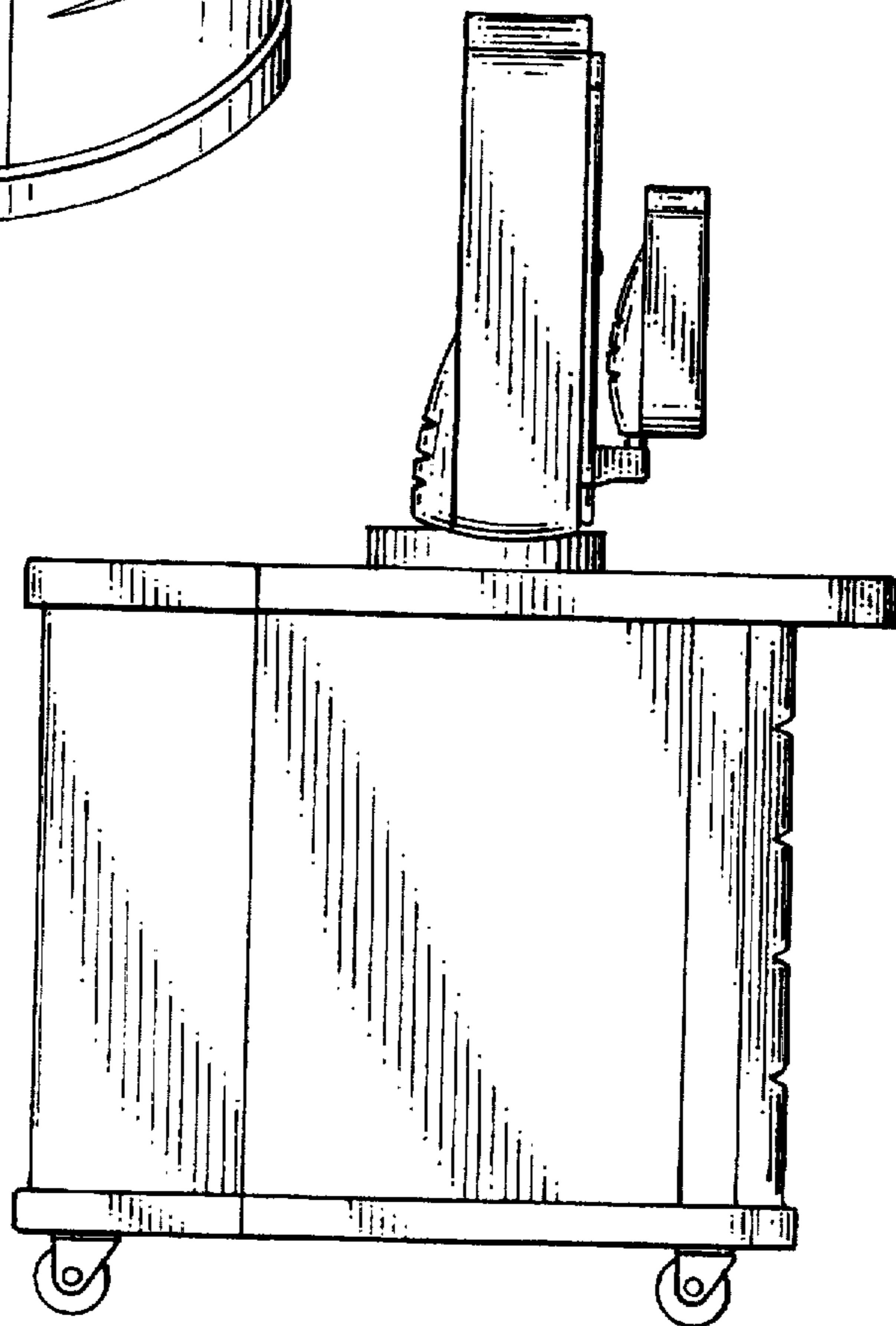


FIG.2



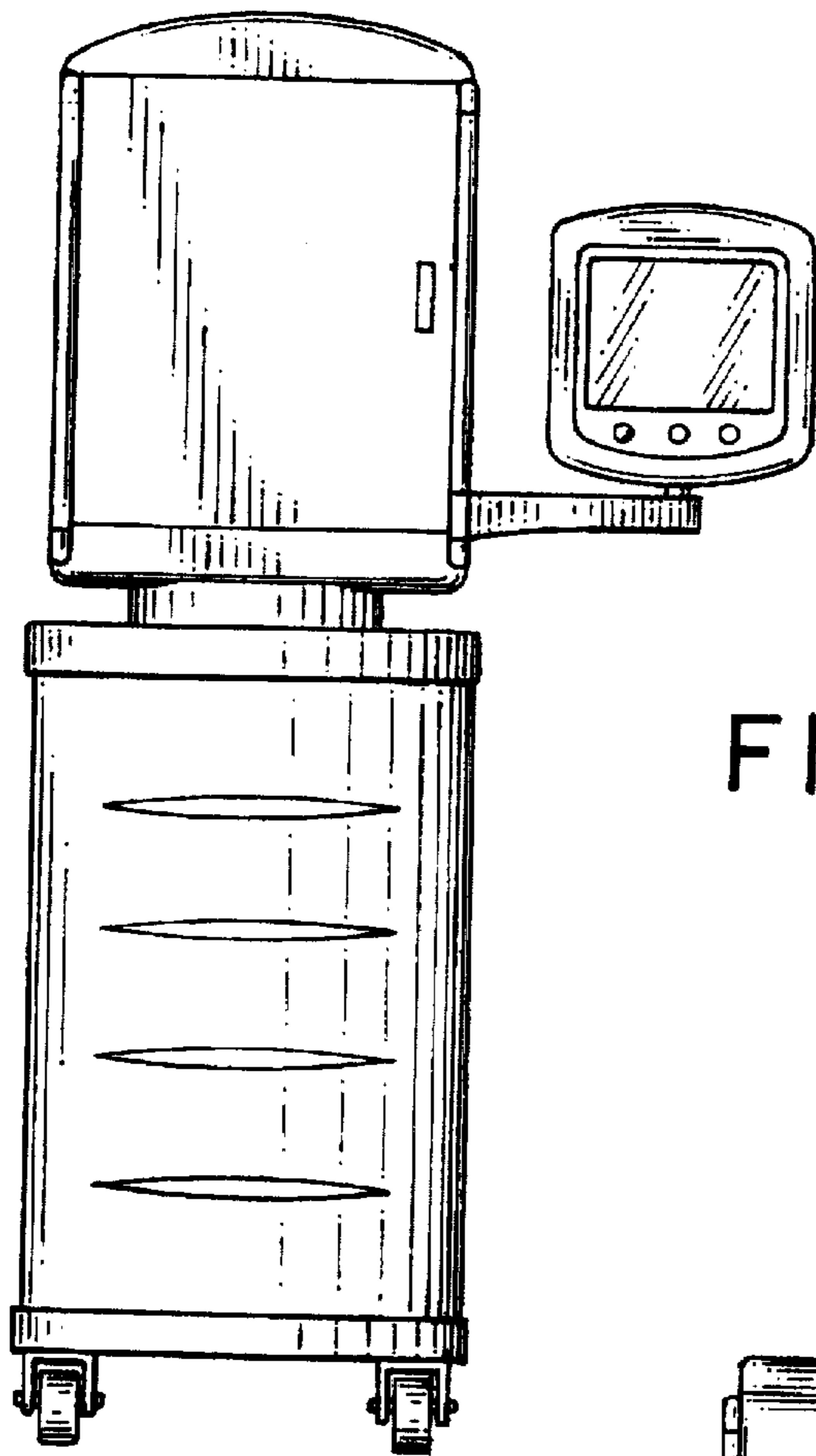


FIG. 3

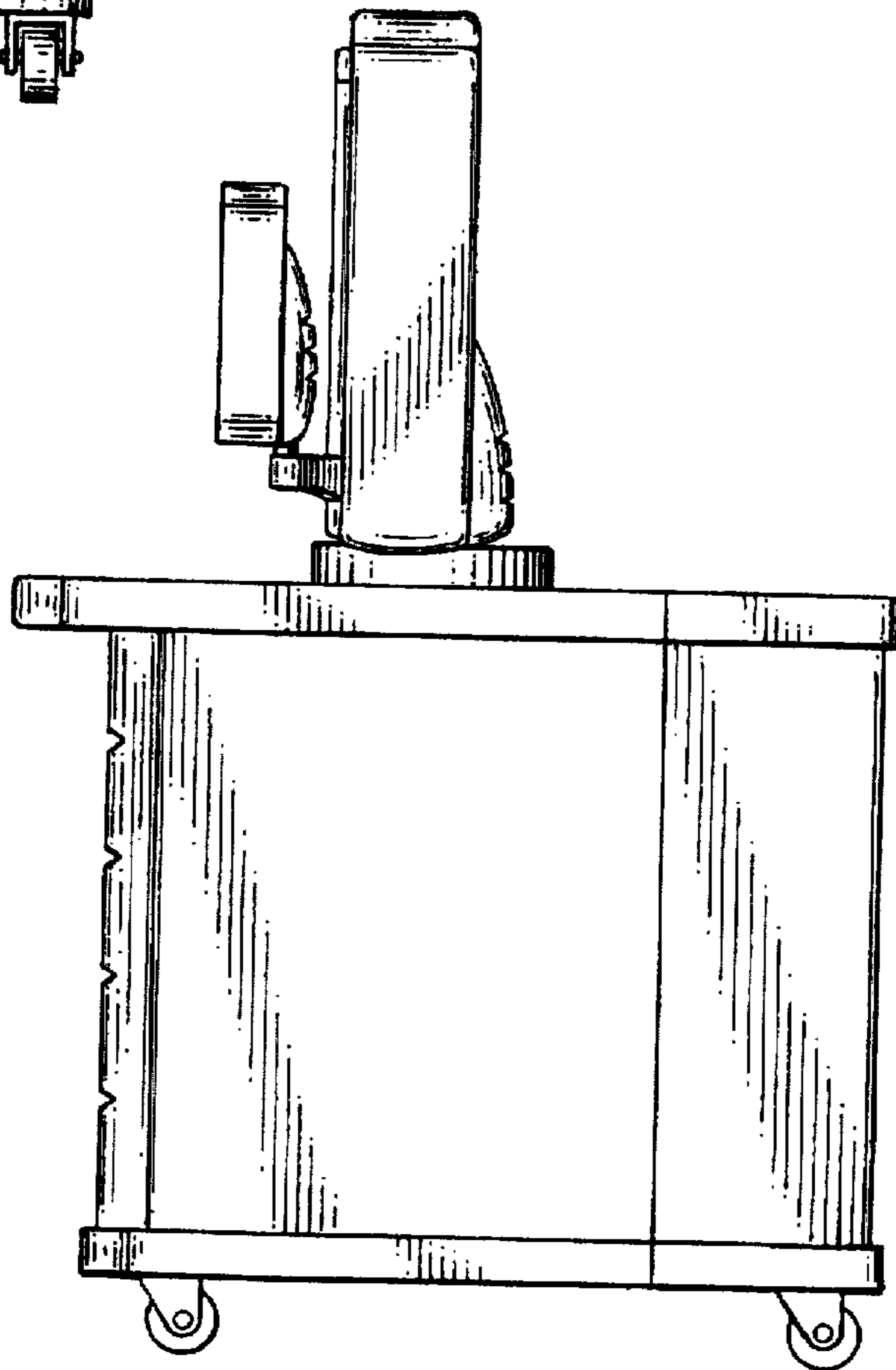


FIG. 4

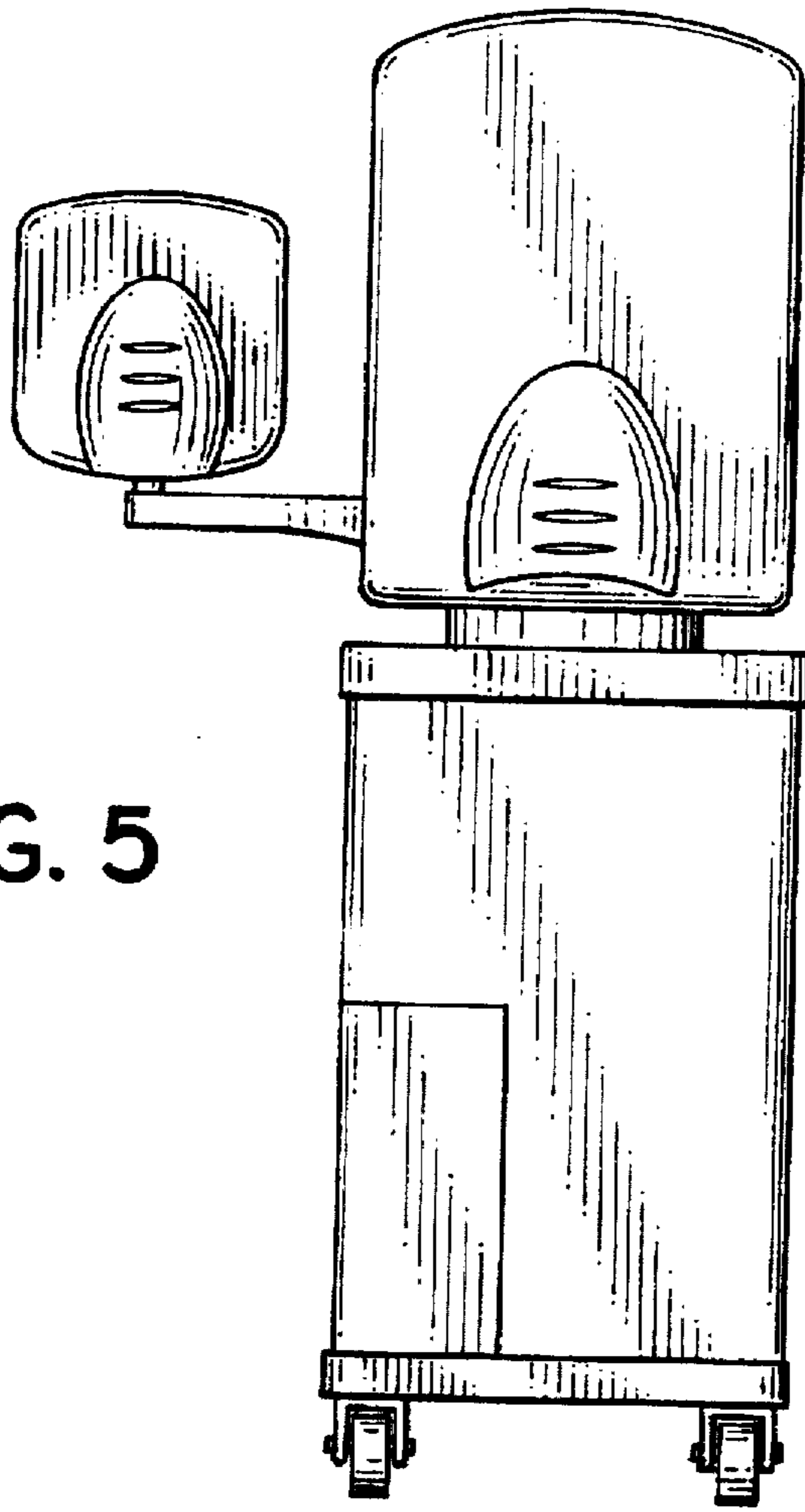


FIG. 5

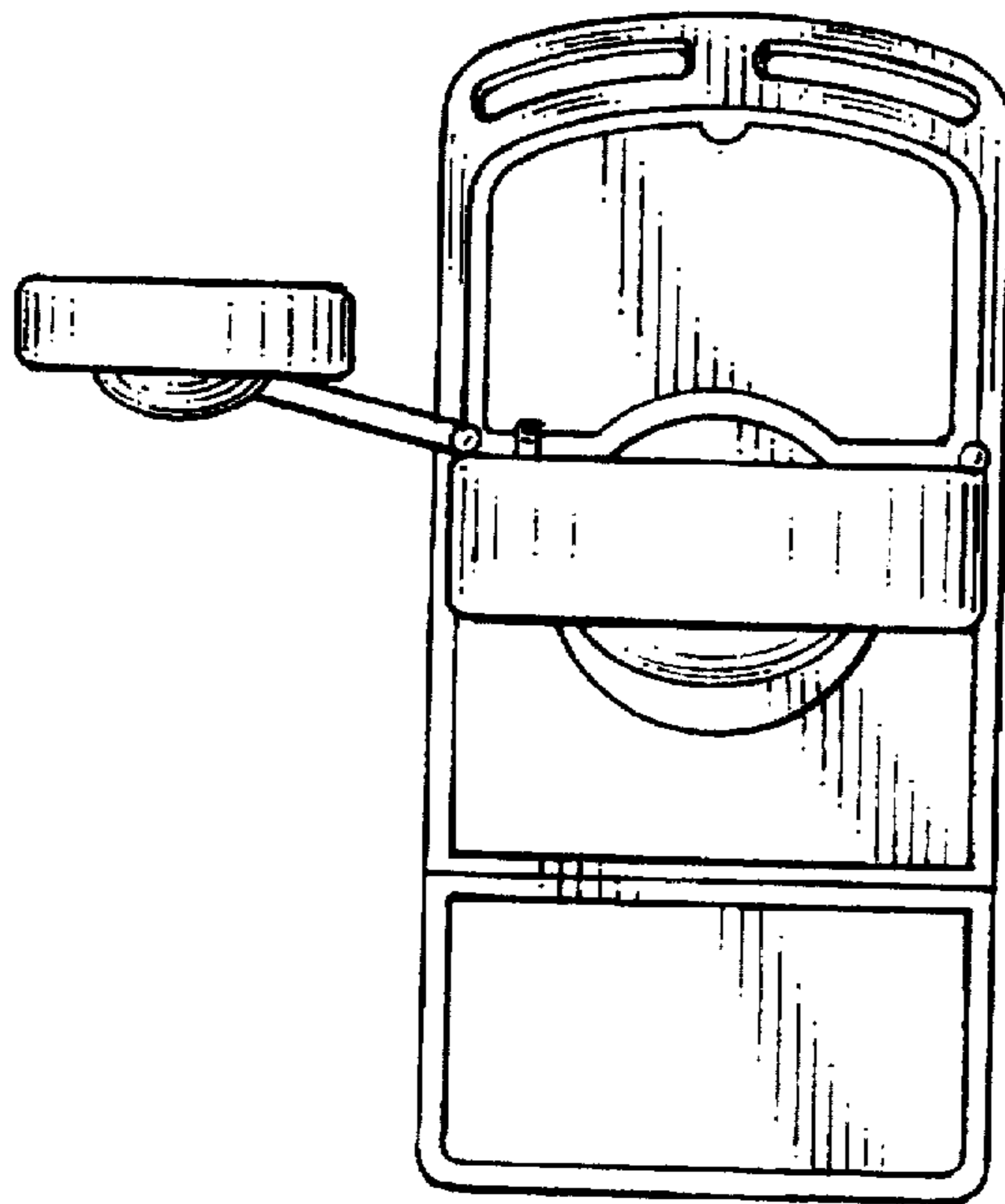


FIG. 6

FIG. 7

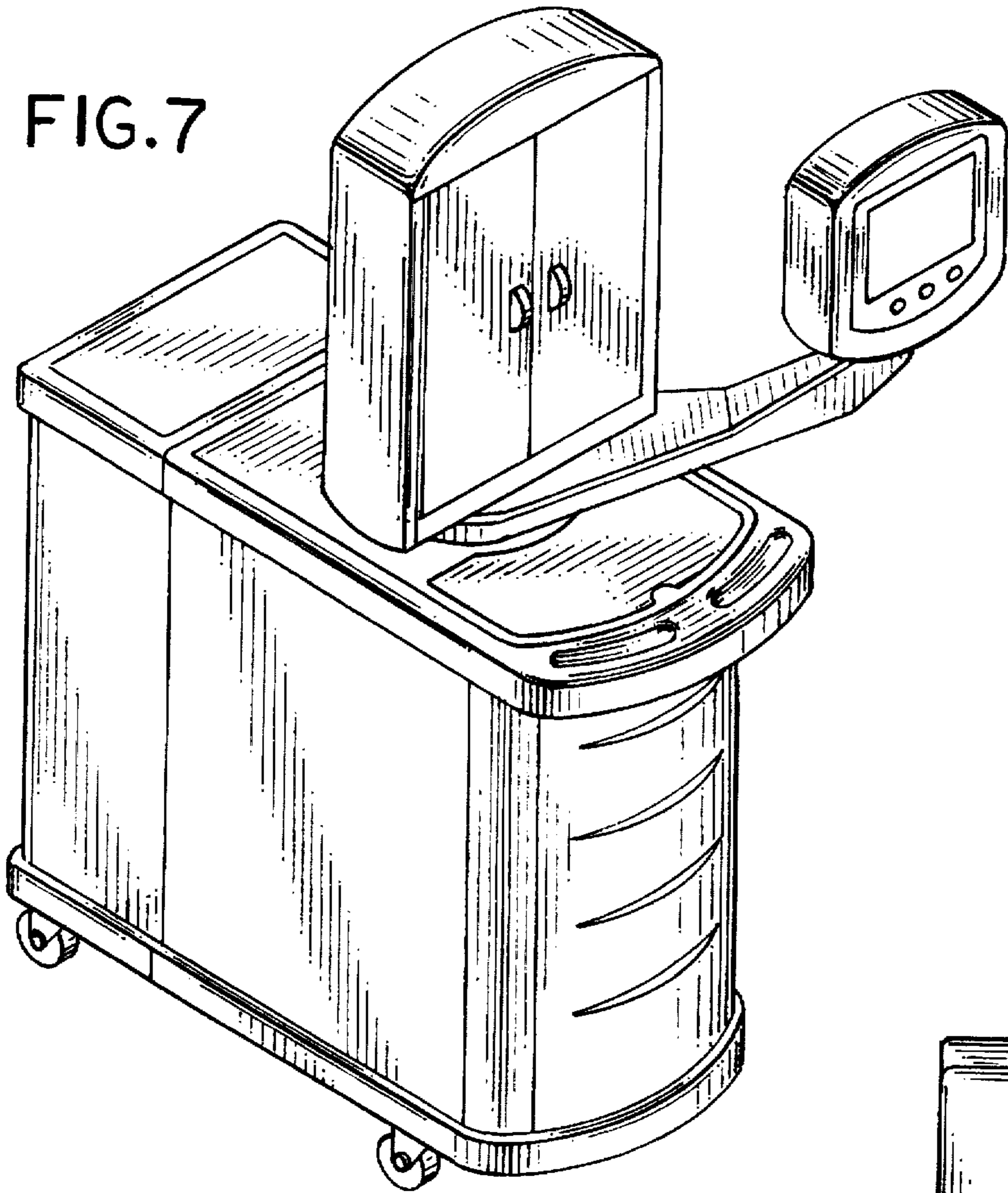
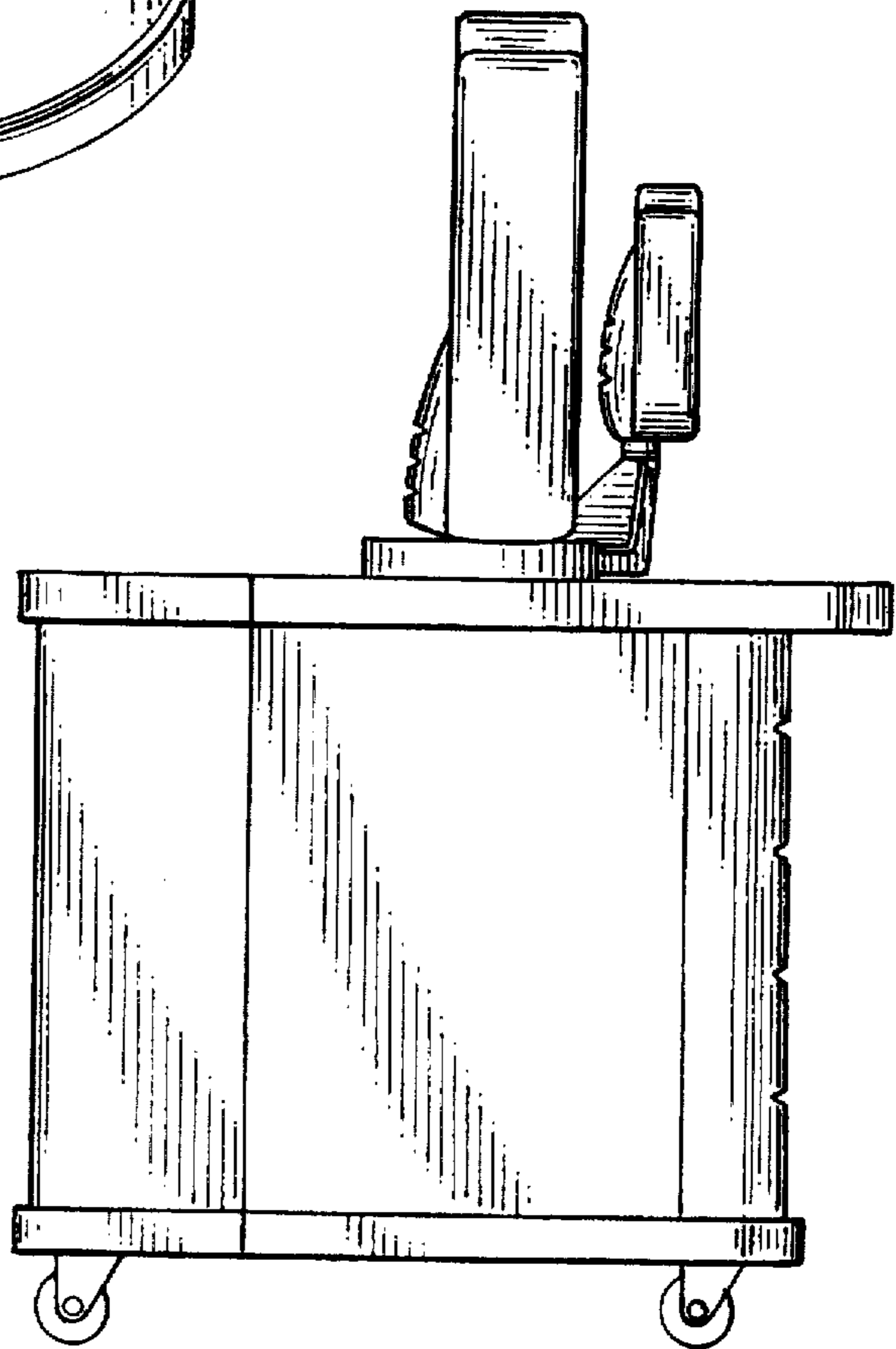


FIG. 8



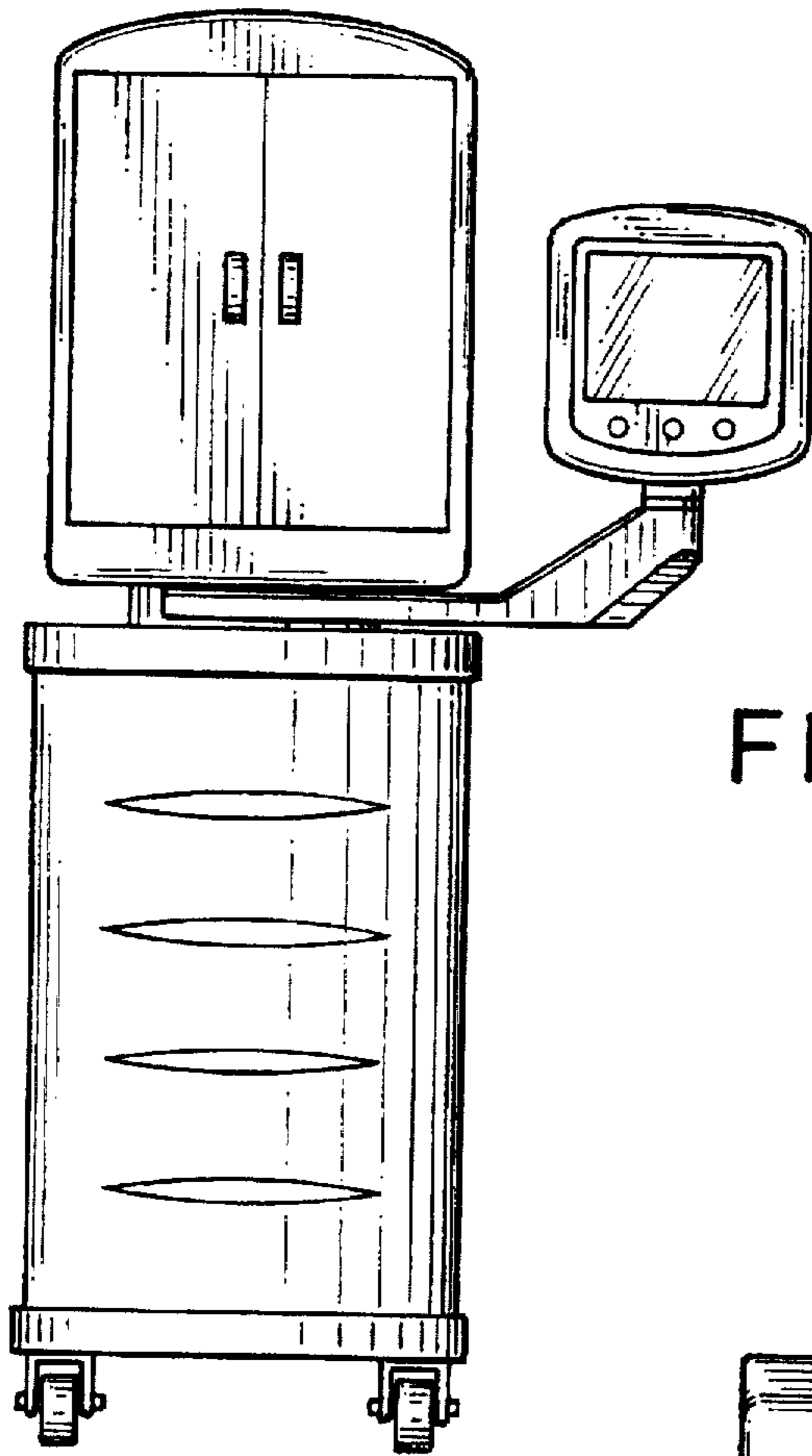


FIG. 9

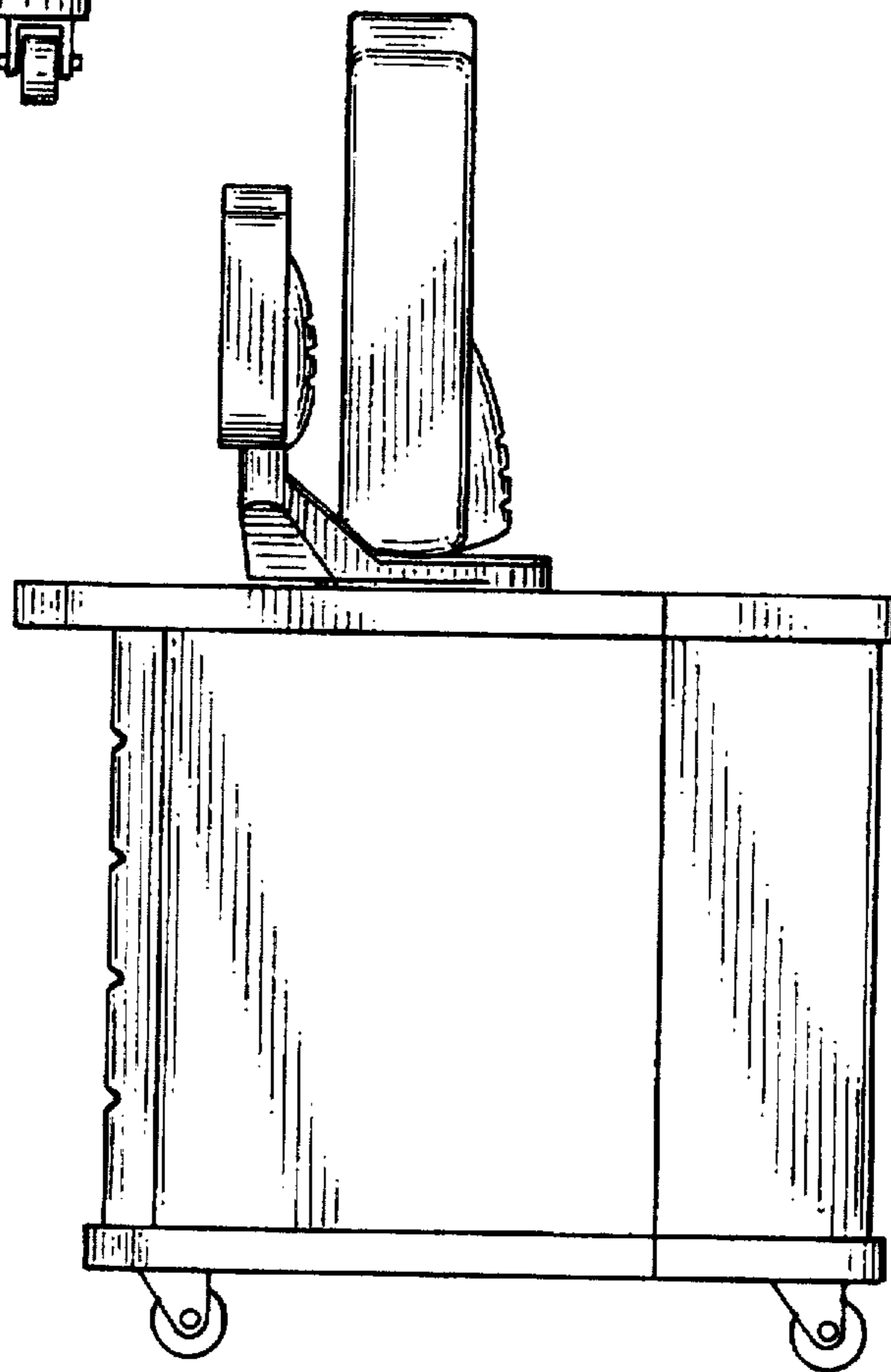


FIG. 10

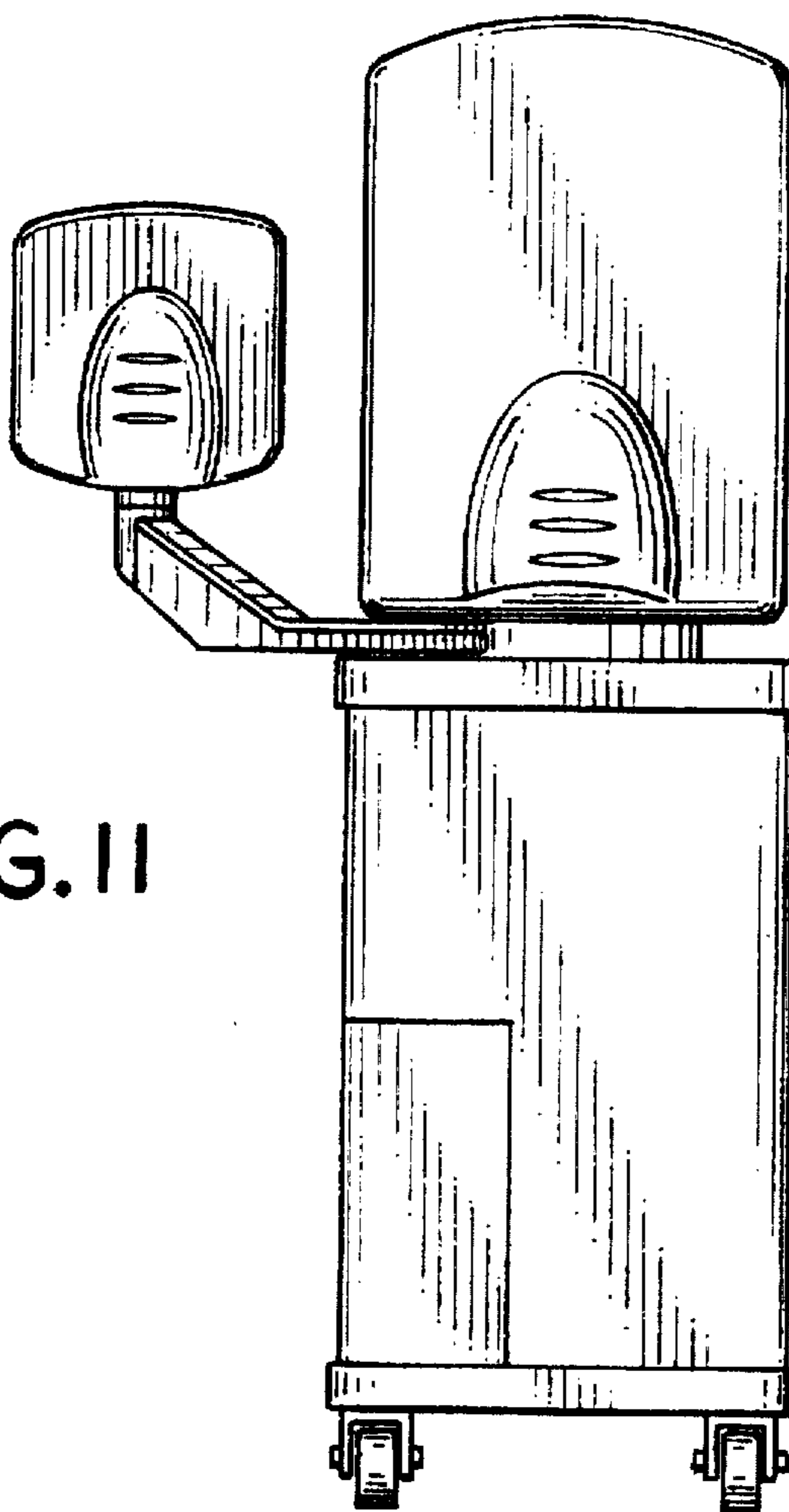


FIG. 11

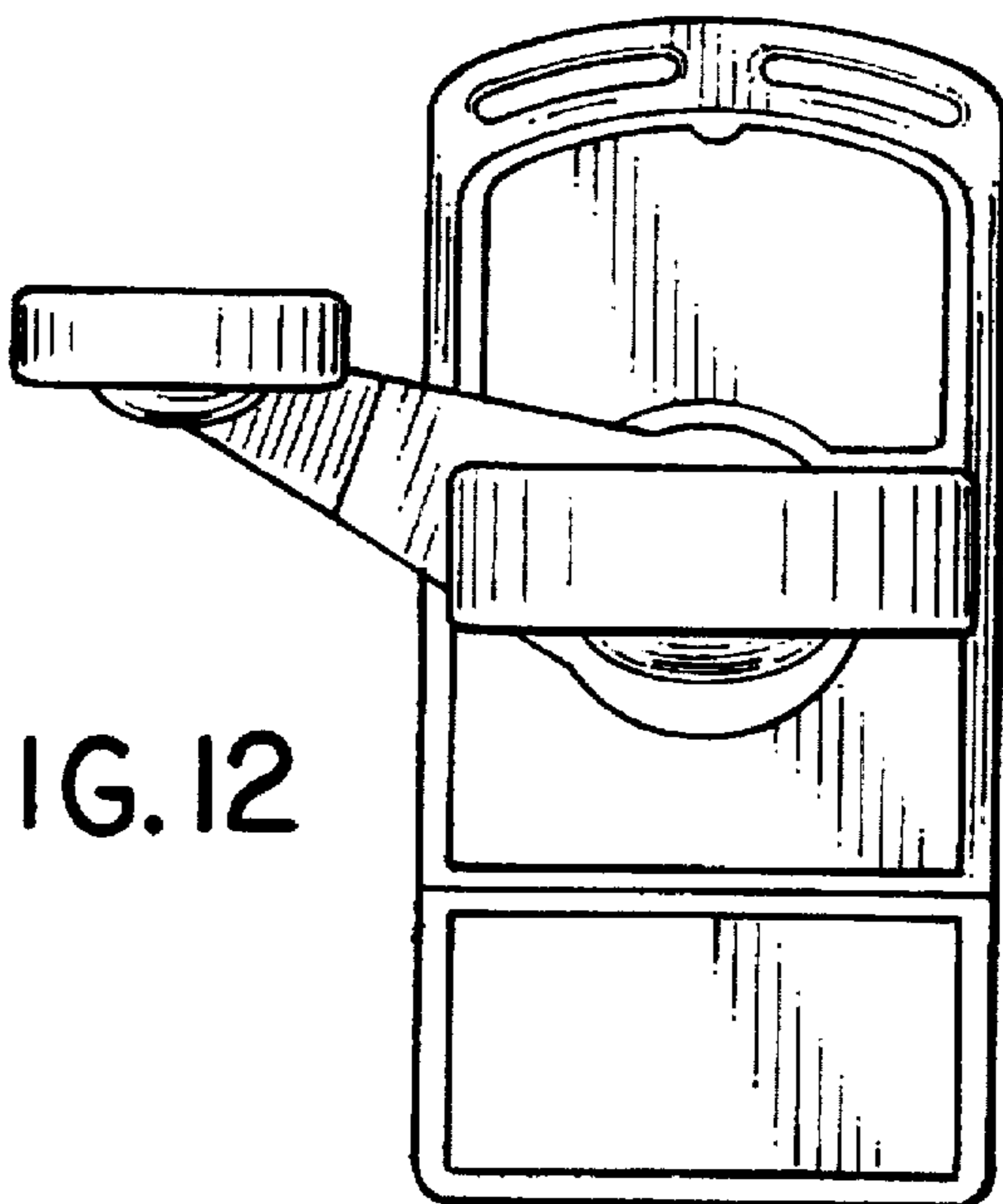


FIG. 12