



US00D383840S

# United States Patent [19] Grossman

[11] Patent Number: **Des. 383,840**  
[45] Date of Patent: **\*\*Sep. 16, 1997**

[54] **DENTAL REAMER STOP DISPENSER**

[75] Inventor: **Sanford Grossman**, Canoga Park, Calif.

[73] Assignee: **Preceision Dental International, Inc.**, Canoga Park, Calif.

[\*\*] Term: **14 Years**

[21] Appl. No.: **60,097**

[22] Filed: **Sep. 23, 1996**

[51] LOC (6) Cl. .... **24-04**

[52] U.S. Cl. .... **D24/121; D3/203**

[58] Field of Search ..... **D3/203, 201; D9/415, D9/418, 432, 337, 417; 206/83, 368, 369, 363, 63.5; D24/152, 176, 121, 177, 181, 232; 433/49, 50, 77-79**

[56] **References Cited**

**U.S. PATENT DOCUMENTS**

- D. 223,312 4/1972 Kurtz et al. .... D24/121 X
- D. 325,971 5/1992 Hoyle ..... D24/181
- D. 351,661 10/1994 Fischer ..... D24/176 X
- 3,874,564 4/1975 Huneke .

- 3,964,170 6/1976 Zdarsky .
- 4,557,690 12/1985 Randin .
- 4,852,738 8/1989 Craig et al. .... 206/369
- 5,054,647 10/1991 Yawata ..... 206/63.5 X
- 5,106,297 4/1992 Discko, Jr. .... 206/63.5 X
- 5,289,919 3/1994 Fischer ..... 206/63.5 X
- 5,525,314 6/1996 Hurson ..... 206/369 X

*Primary Examiner*—Prabhakar G. Deshmukh  
*Attorney, Agent, or Firm*—Welsh & Katz, Ltd.

[57] **CLAIM**

The ornamental designs for a dental reamer stop dispenser, as shown and described.

**DESCRIPTION**

FIG. 1 is a top perspective view of a dental reamer stop dispenser showing my new design;  
 FIG. 2 is a front elevational view thereof;  
 FIG. 3 is a rear elevational view thereof;  
 FIG. 4 is a right side elevational view thereof;  
 FIG. 5 is a left side elevational view thereof;  
 FIG. 6 is a top plan view thereof; and,  
 FIG. 7 is a bottom plan view thereof.  
 The broken line elements in FIG. 1 are for illustrative purposes only and forms no part of the claim.

**1 Claim, 2 Drawing Sheets**

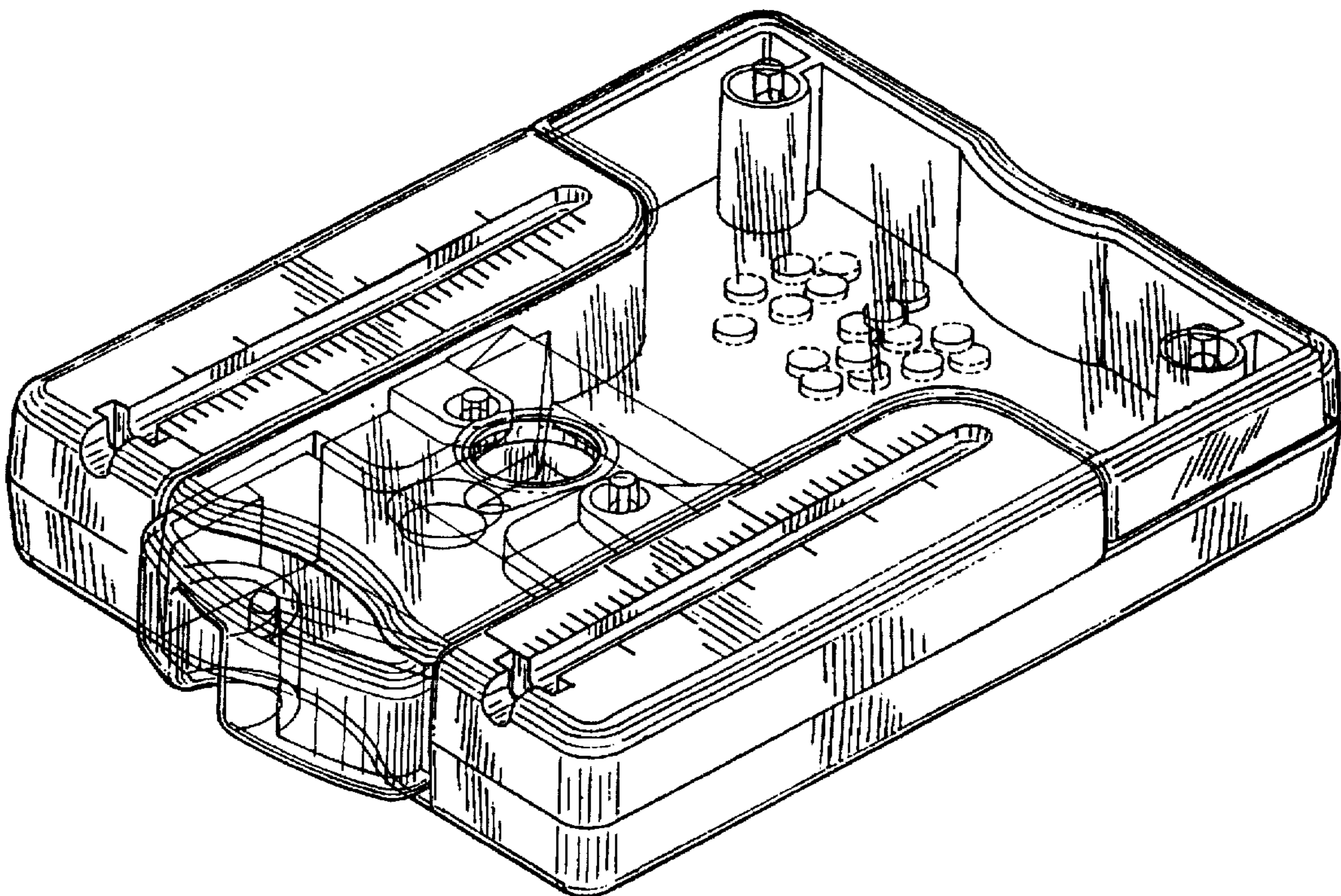


FIG. 1

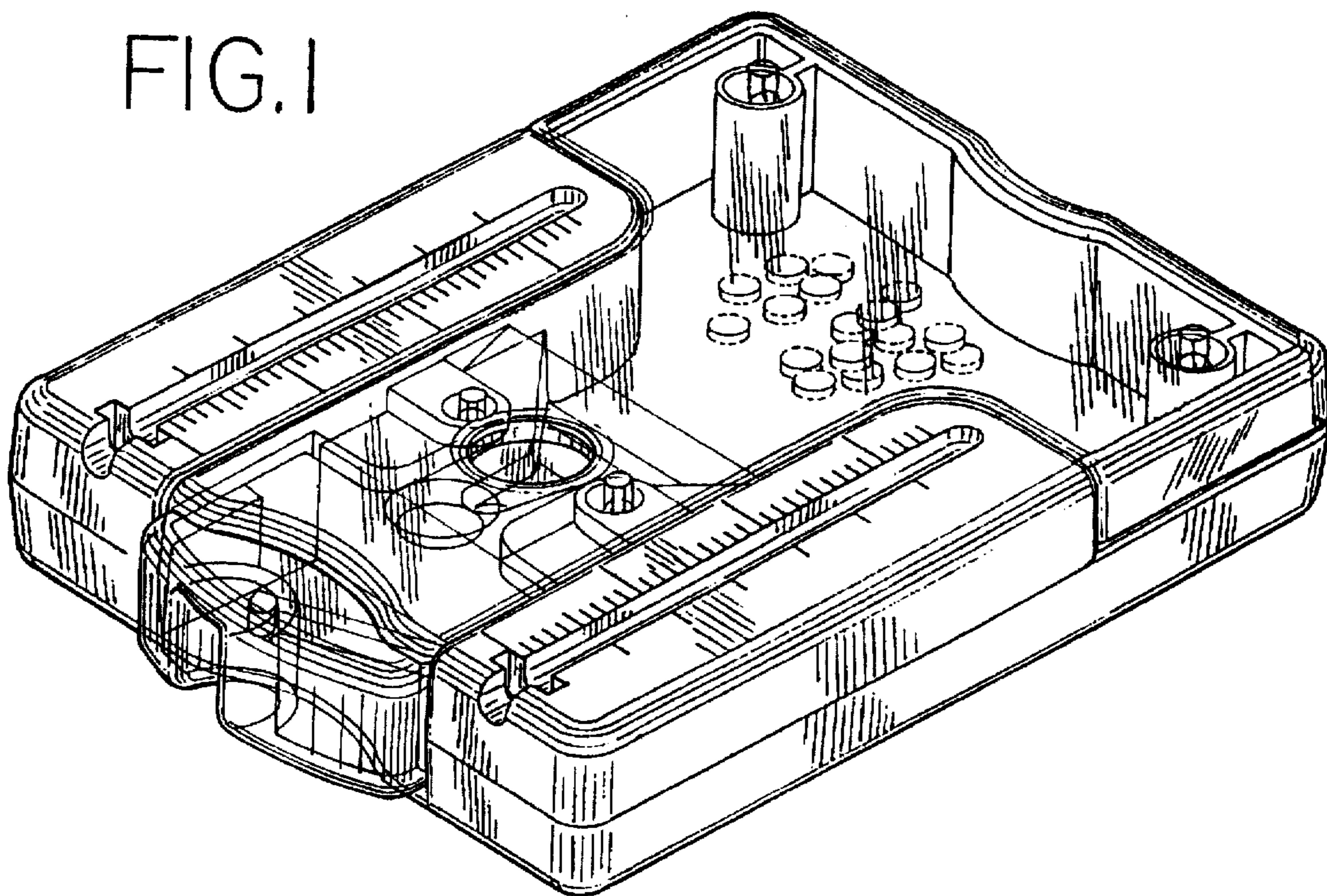


FIG. 2

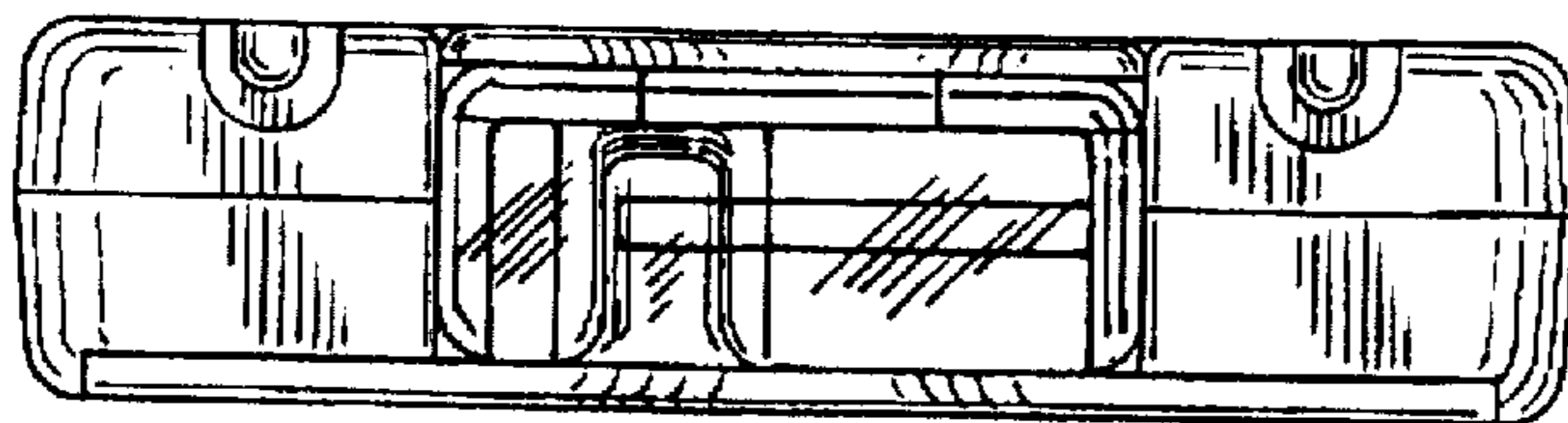


FIG. 3

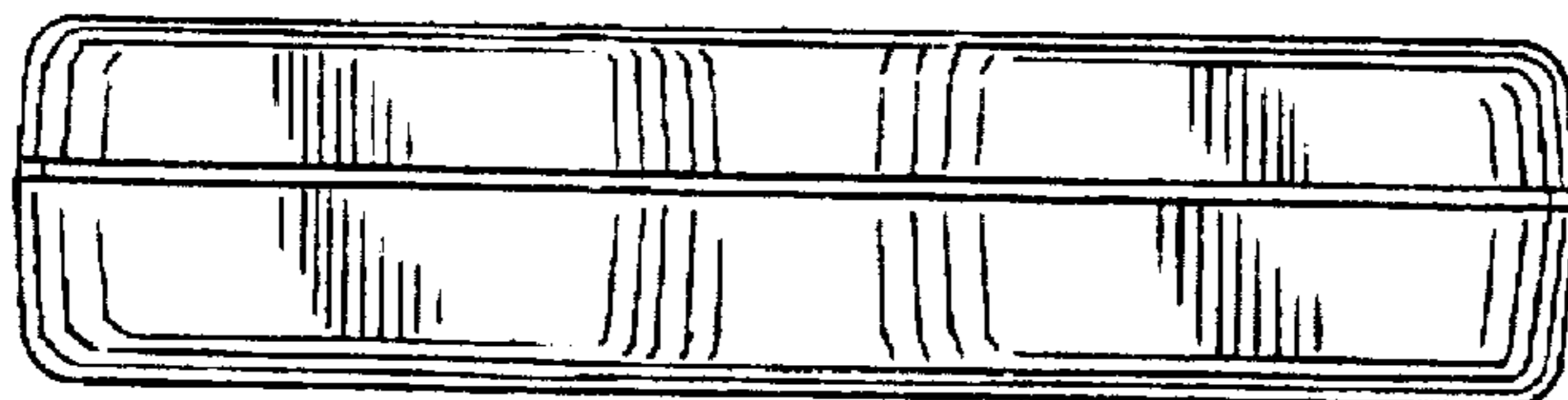


FIG. 4

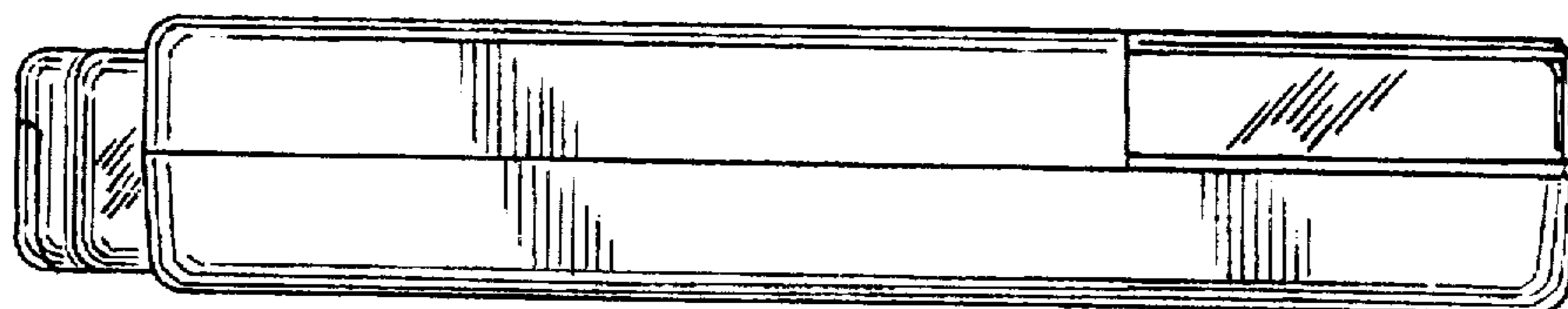


FIG. 5

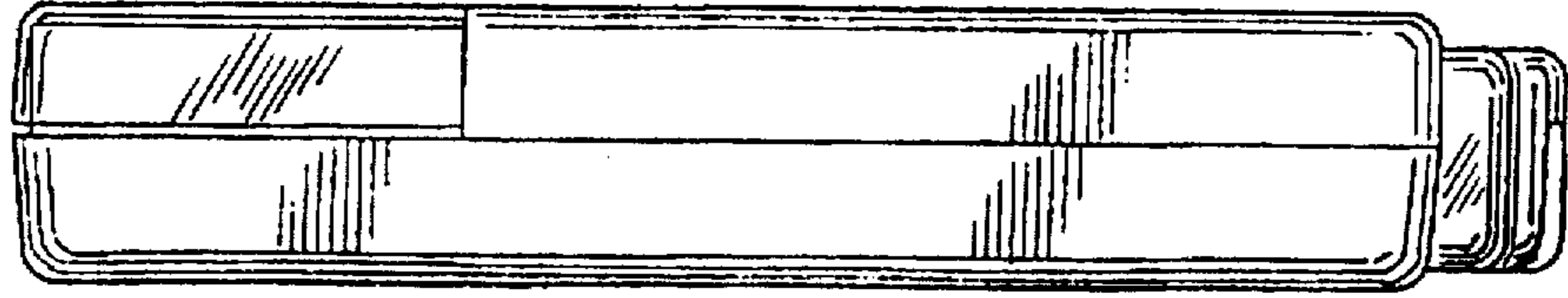


FIG. 6

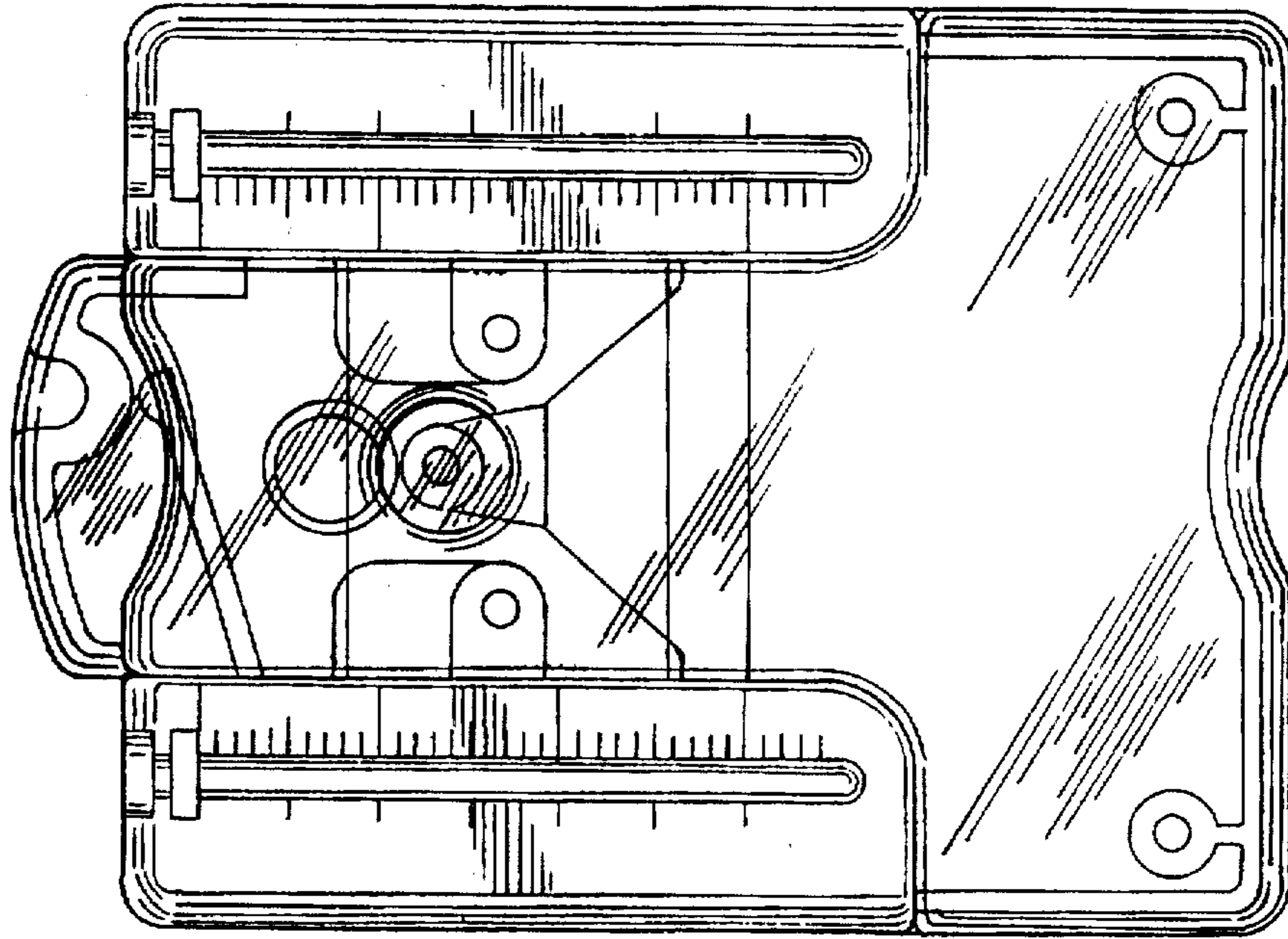


FIG. 7

