



US00D383839S

United States Patent [19] Sullivan

[11] Patent Number: Des. 383,839
[45] Date of Patent: **Sep. 16, 1997

[54] SYRINGE STROKE CONTROLLER WITH FINGER-MOLDED PISTOL GRIP

[76] Inventor: James J. Sullivan, P.O. Box 1799, Ojai, Calif. 93024

[**] Term: 14 Years

[21] Appl. No.: 37,471

[22] Filed: Apr. 13, 1995

4,457,712	7/1984	Dragan	604/211 X
4,968,303	11/1990	Clarke et al.	604/187
5,115,816	5/1992	Lee	D24/130 X
5,228,883	7/1993	Blakely et al.	604/208 X

FOREIGN PATENT DOCUMENTS

2469175	5/1981	France	604/209
---------	--------	--------	---------

Primary Examiner—Louis S. Zarfes
Assistant Examiner—I. Simmons
Attorney, Agent, or Firm—Michaelson & Wallace

Related U.S. Application Data

[63] Continuation-in-part of Ser. No. 44,769, Apr. 12, 1993, abandoned.

[51] LOC (6) Cl. 24-02

[52] U.S. Cl. D24/113; D24/112; D24/130; D24/133

[58] Field of Search D24/113, 112, D24/111, 114; 604/211, 207, 208, 209, 210, 187, 227; 433/90, 89

[56] References Cited

U.S. PATENT DOCUMENTS

D. 337,821	7/1993	Tan	D24/130 X
3,281,023	10/1966	Bruck et al.	604/211 X
4,033,346	7/1977	Phillips et al.	604/208

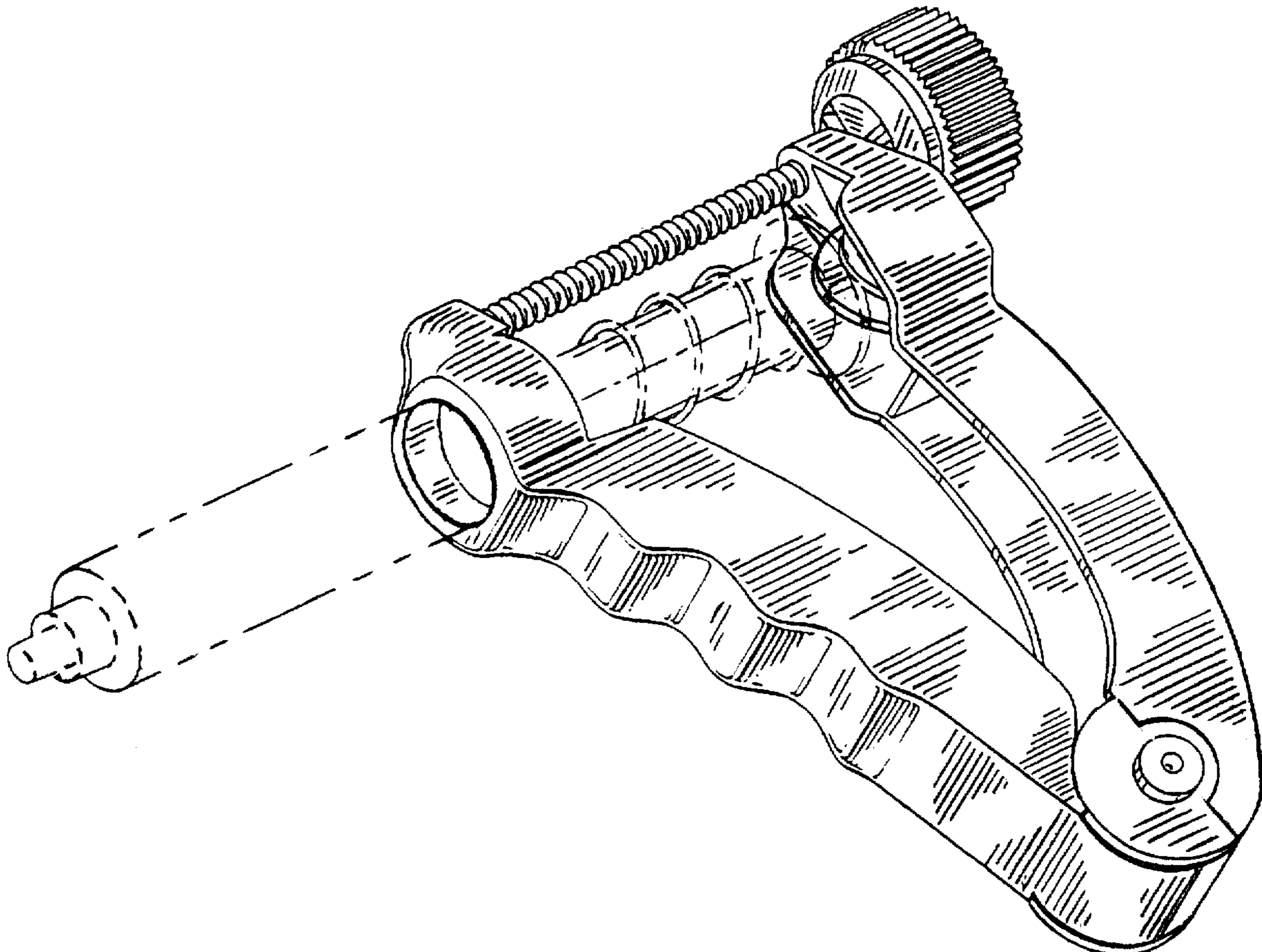
[57] CLAIM

The ornamental design for a syringe stroke controller with finger-molded pistol grip, as shown and described.

DESCRIPTION

FIG. 1 is a perspective view of the claimed invention; FIG. 2 is a left side view of the claimed invention; FIG. 3 is a top view of the claimed invention; FIG. 4 is a front view of the claimed invention; FIG. 5 is a right side view of the claimed invention; FIG. 6 is a back side view of the claimed invention; and, FIG. 7 is a bottom view of the claimed invention. The broken line depiction of the syringe in the drawings of FIGS. 1 through 3, 5 and 7 is for illustrative purposes only and forms no part of the claimed design.

1 Claim, 3 Drawing Sheets



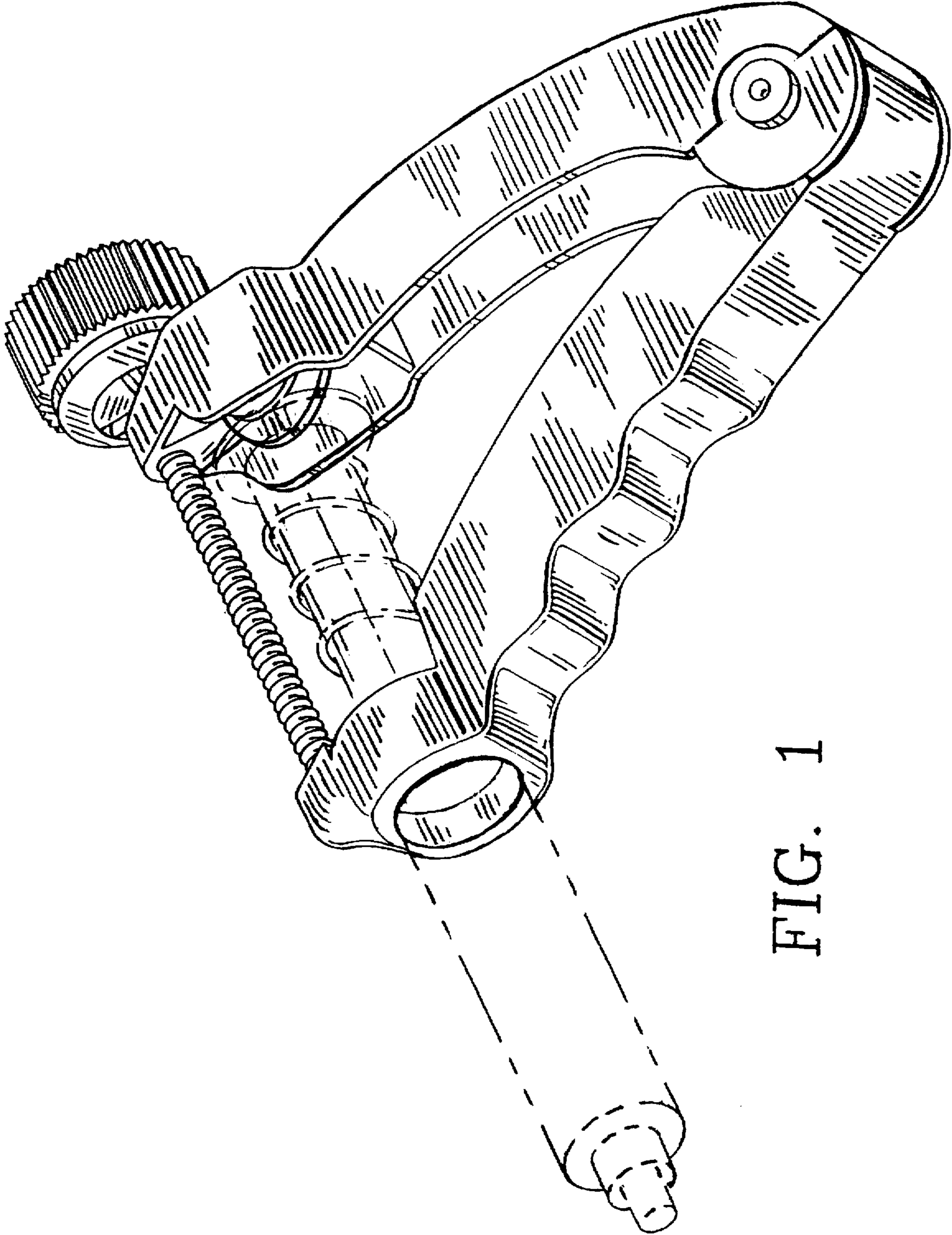


FIG. 1

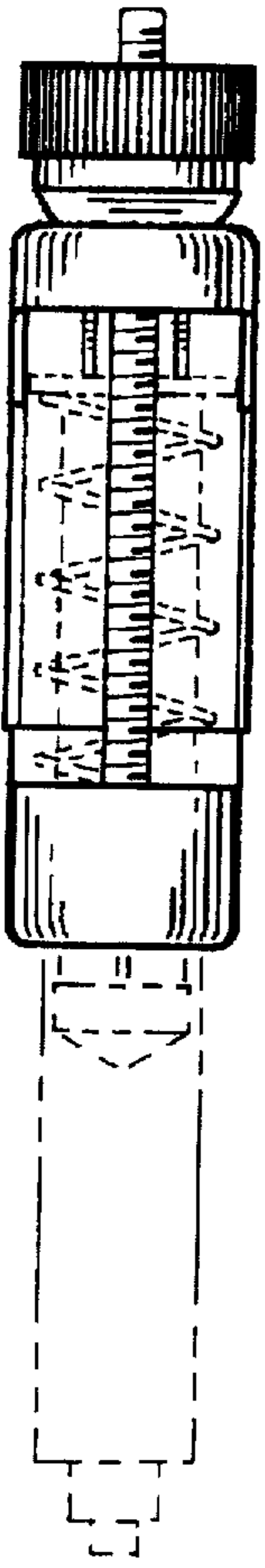


FIG. 3

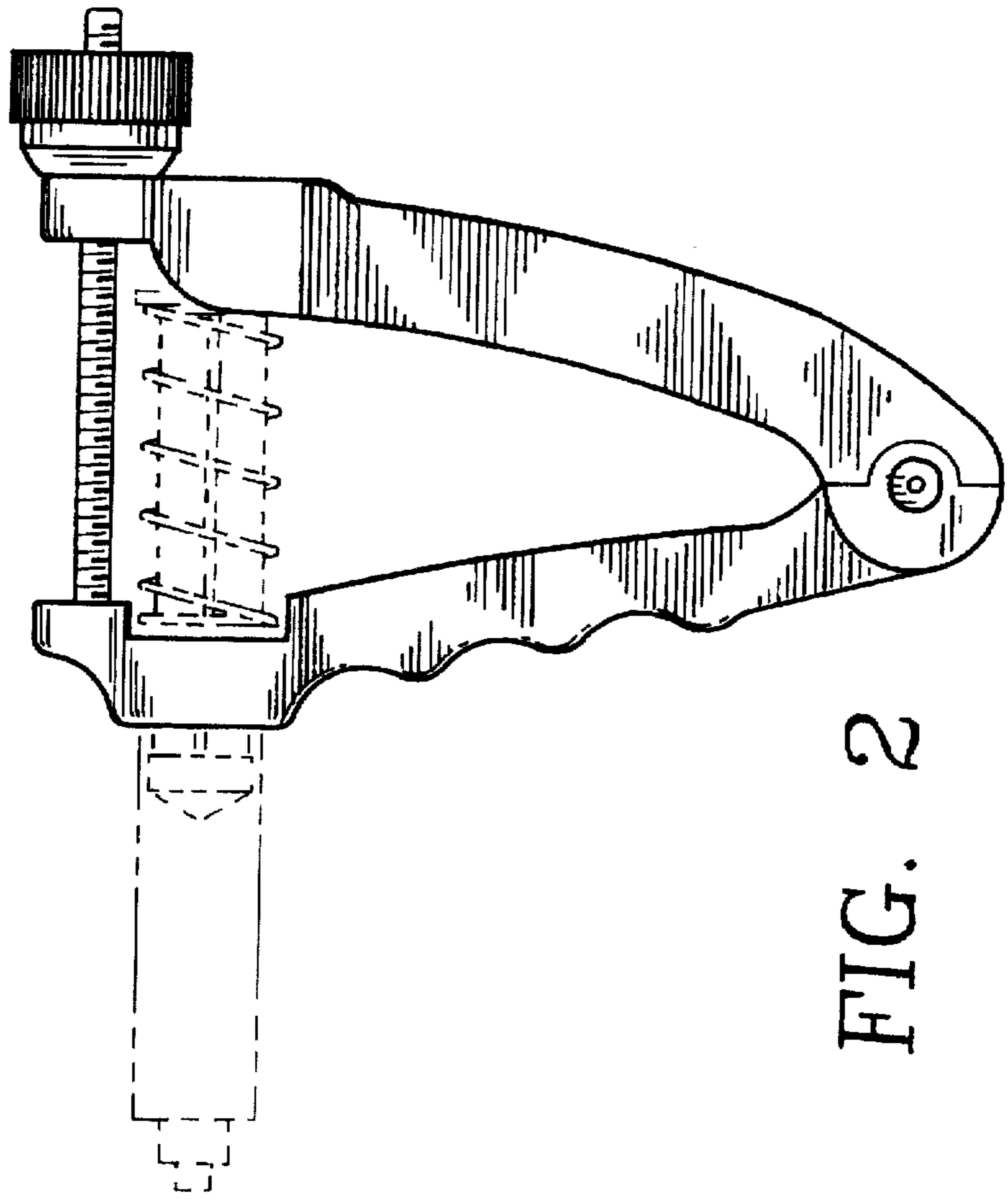


FIG. 2

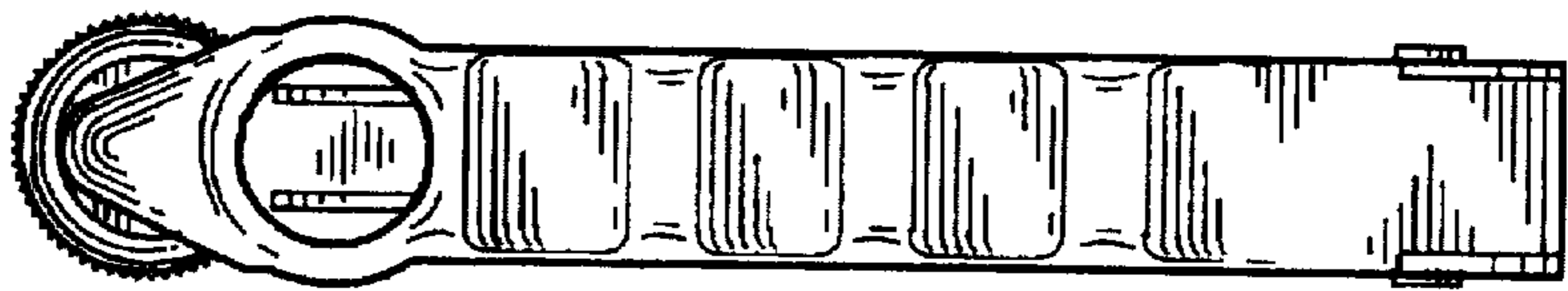


FIG. 4

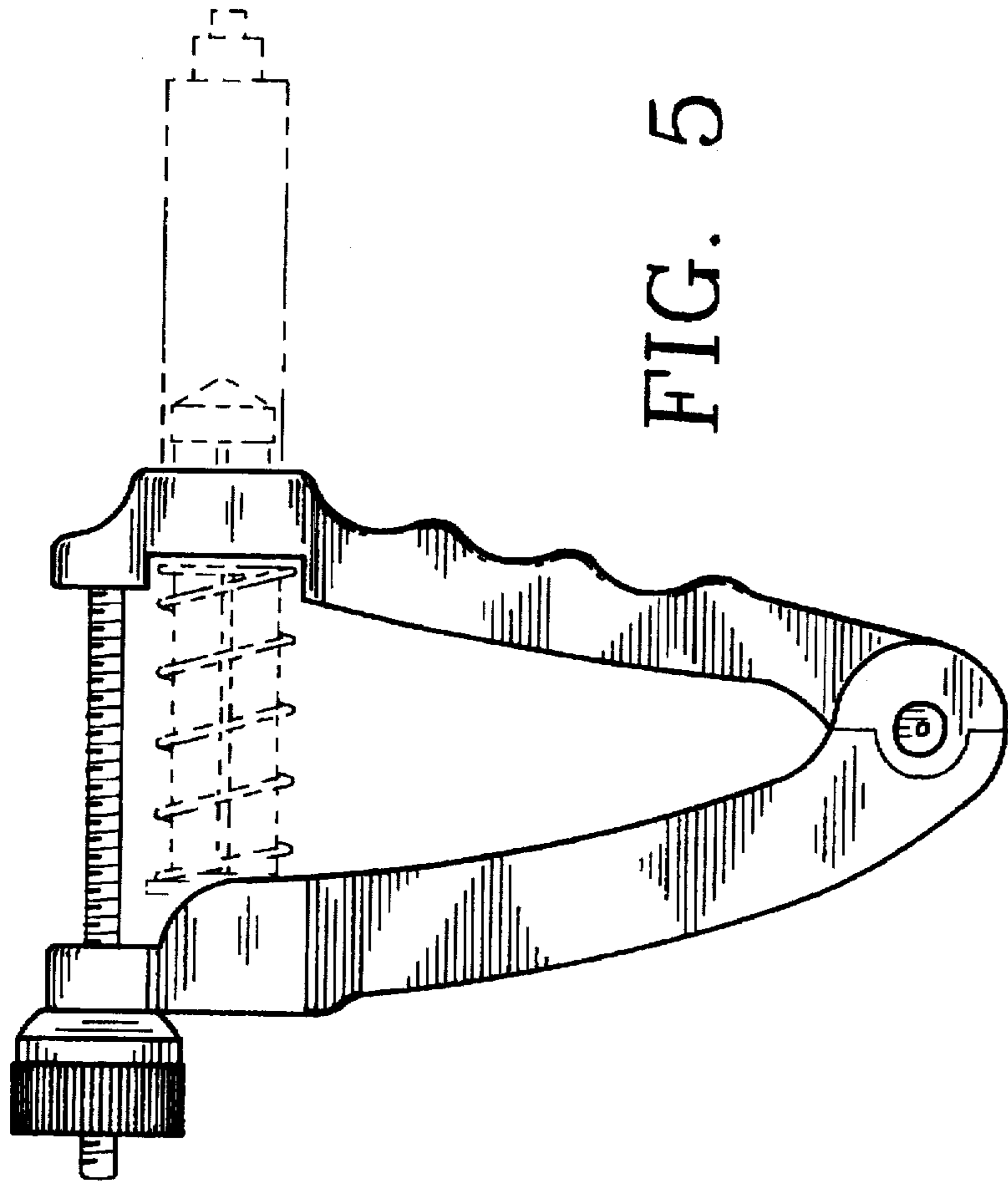


FIG. 5

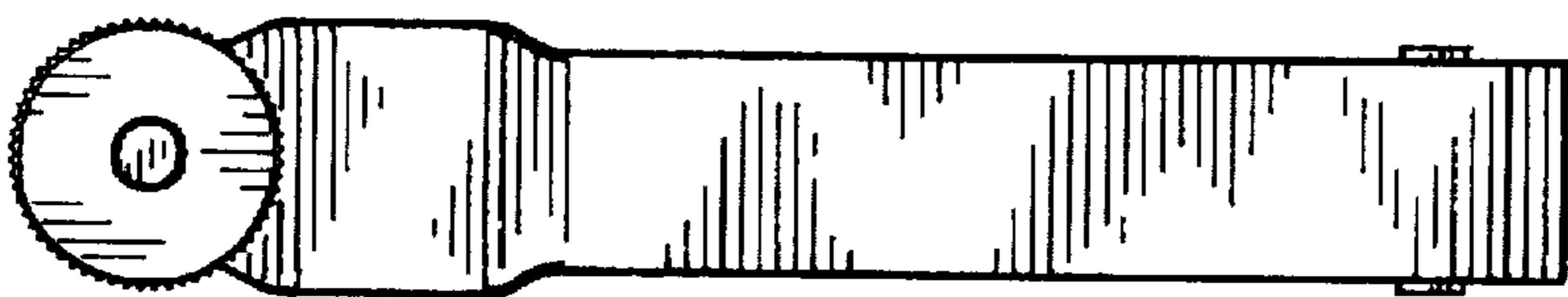


FIG. 6

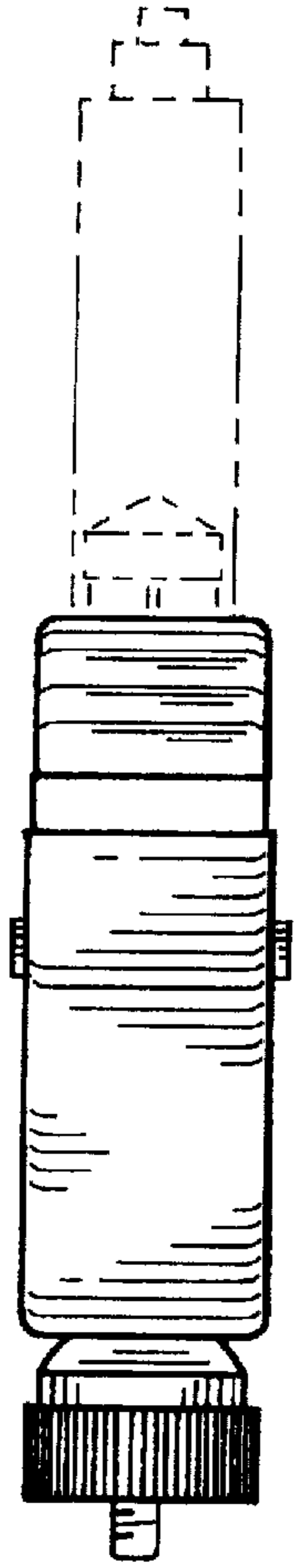


FIG. 7