



US00D383835S

# United States Patent [19] Gibbs

[11] Patent Number: Des. 383,835  
[45] Date of Patent: \*\*Sep. 16, 1997

[54] LIFT FOR TOILET

[76] Inventor: Sadina M. Gibbs, 4705 Ezekiel Ave.,  
N. Charleston, S.C. 29406

[\*\*] Term: 14 Years

[21] Appl. No.: 58,127

[22] Filed: Aug. 8, 1996

[51] LOC (6) Cl. .... 23-02

[52] U.S. Cl. .... D23/311

[58] Field of Search ..... D23/303, 309,  
D23/311; 4/246.1, 236, 240, 253, 301,  
462, DIG. 5, 420, 254, 667

[56] **References Cited**

**U.S. PATENT DOCUMENTS**

3,473,174 10/1969 Cool ..... 4/667

4,168,552 9/1979 Austin ..... 4/667  
4,196,480 4/1980 Guenther et al. .... 4/254  
5,553,334 9/1996 Hillman ..... 4/420

Primary Examiner—Louis S. Zarfes

Assistant Examiner—Eric Watterson

[57] **CLAIM**

The ornamental design for a lift for toilet, as shown.

**DESCRIPTION**

FIG. 1 is a front plan view of a lift for toilet of the present invention;

FIG. 2 is a rear plan view of a lift for toilet of FIG. 1;

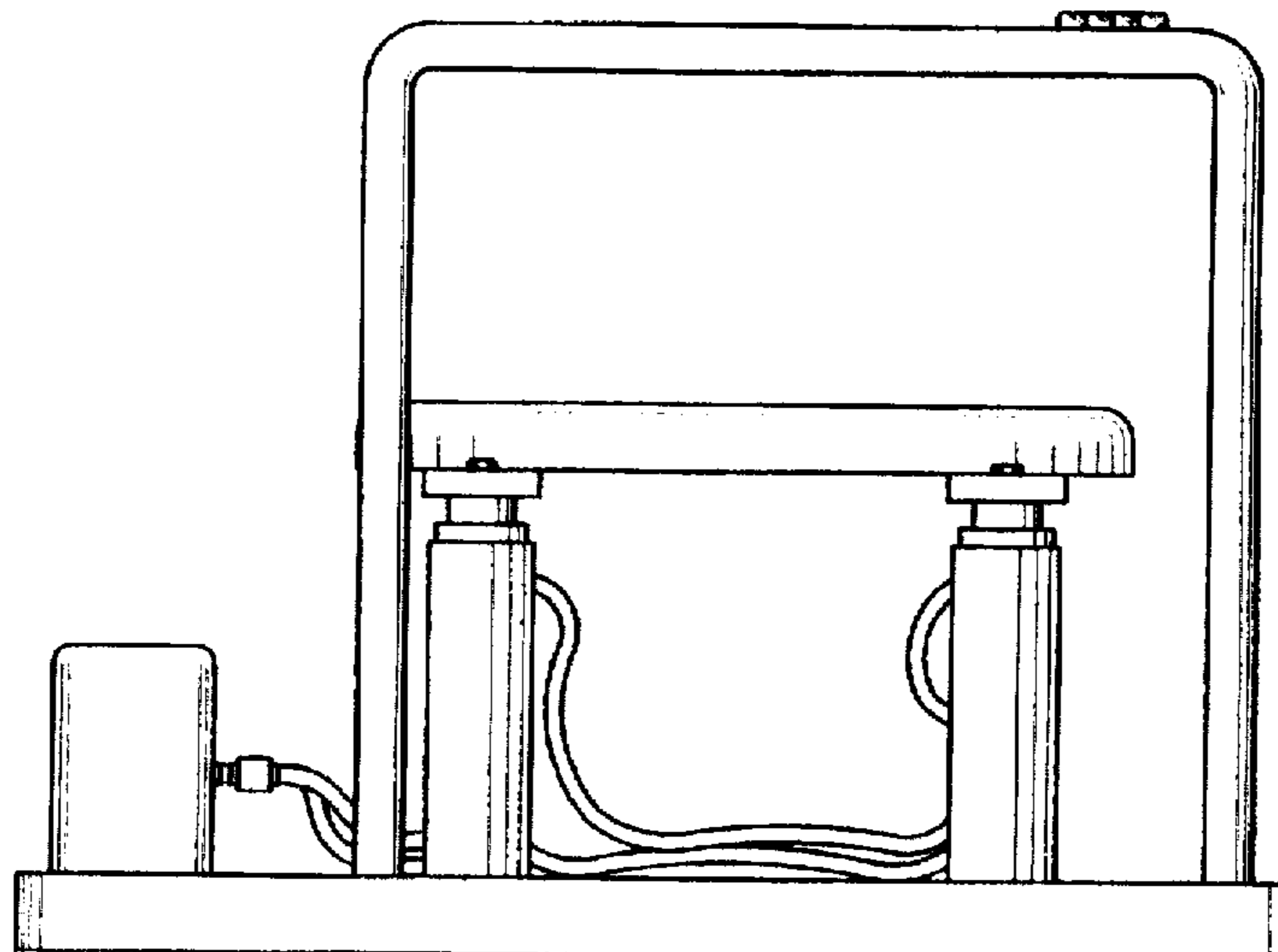
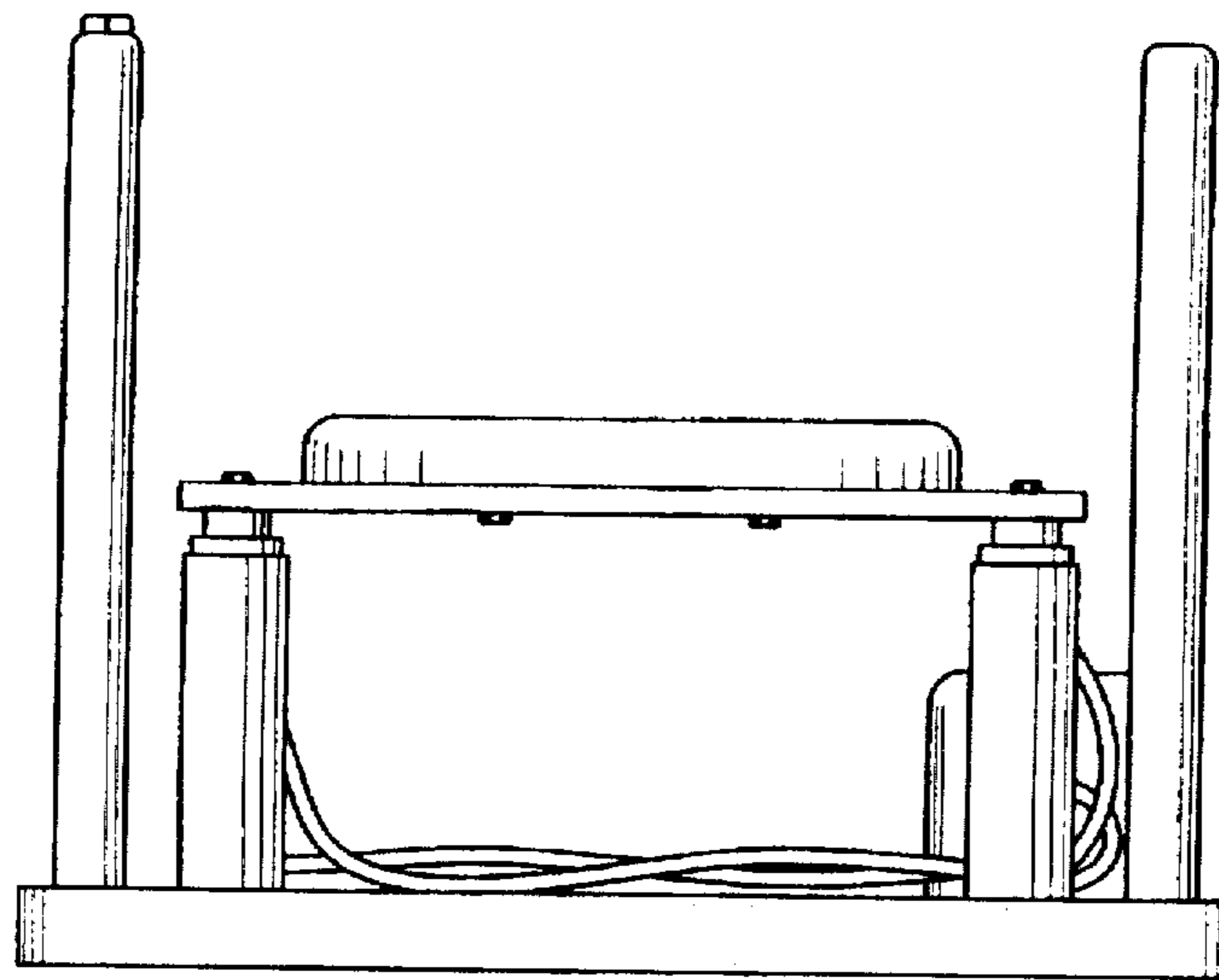
FIG. 3 is a right side plan view of a lift for toilet of FIG. 1;

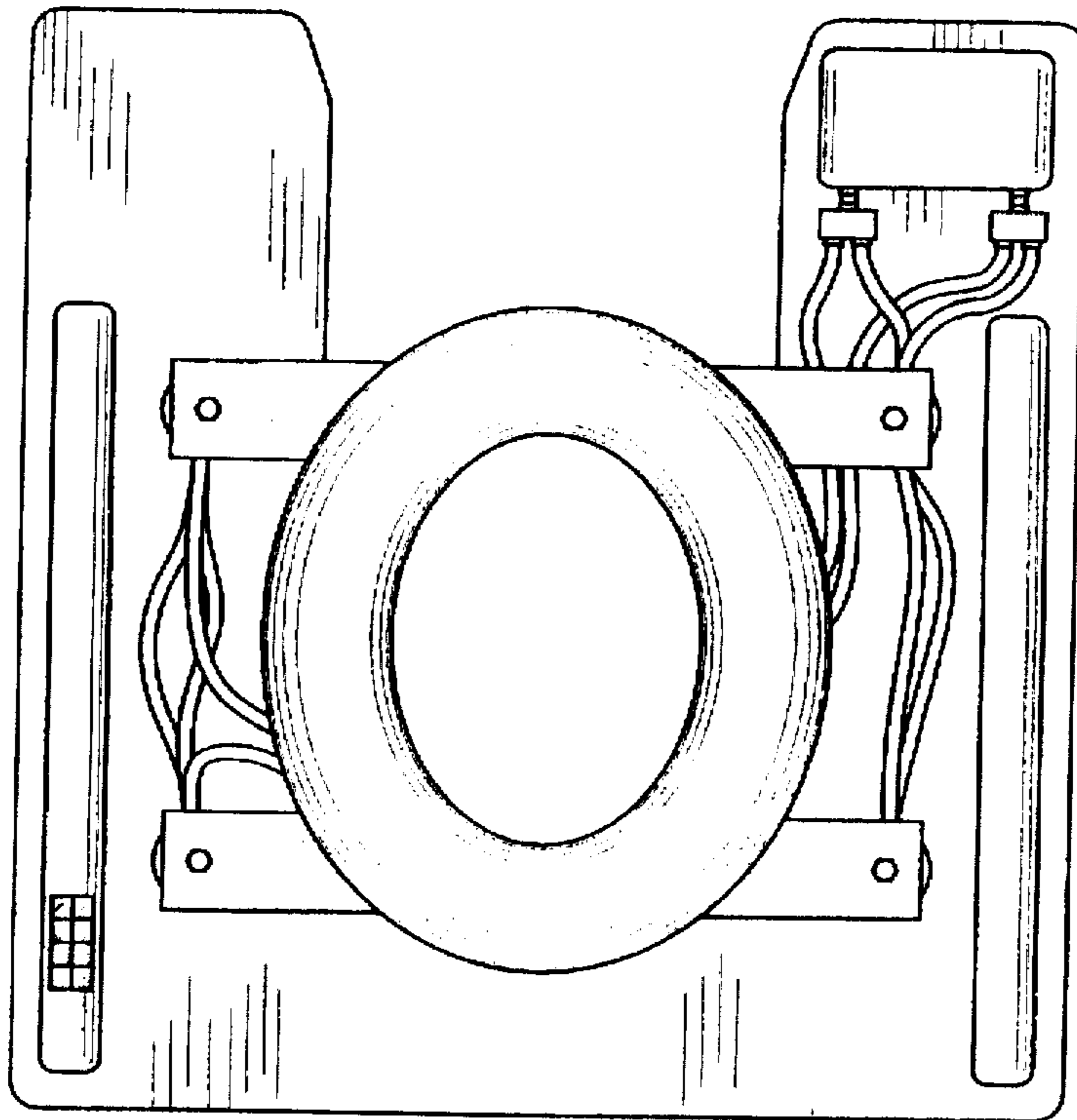
FIG. 4 is a left side plan view of a lift for toilet of FIG. 1;

FIG. 5 is a top plan view of a lift for toilet of FIG. 1; and,

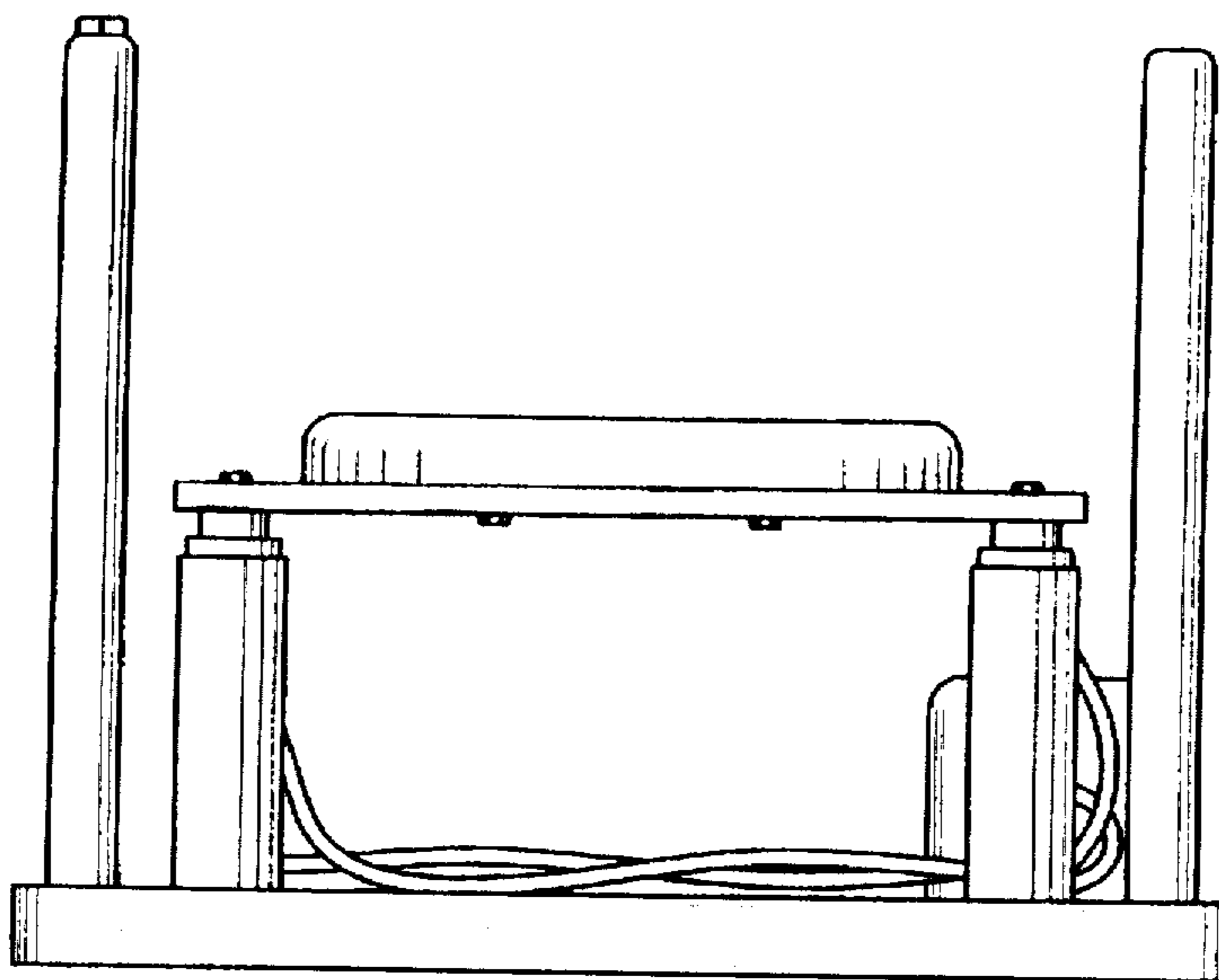
FIG. 6 is a bottom plan view of a lift for toilet of FIG. 1.

1 Claim, 3 Drawing Sheets

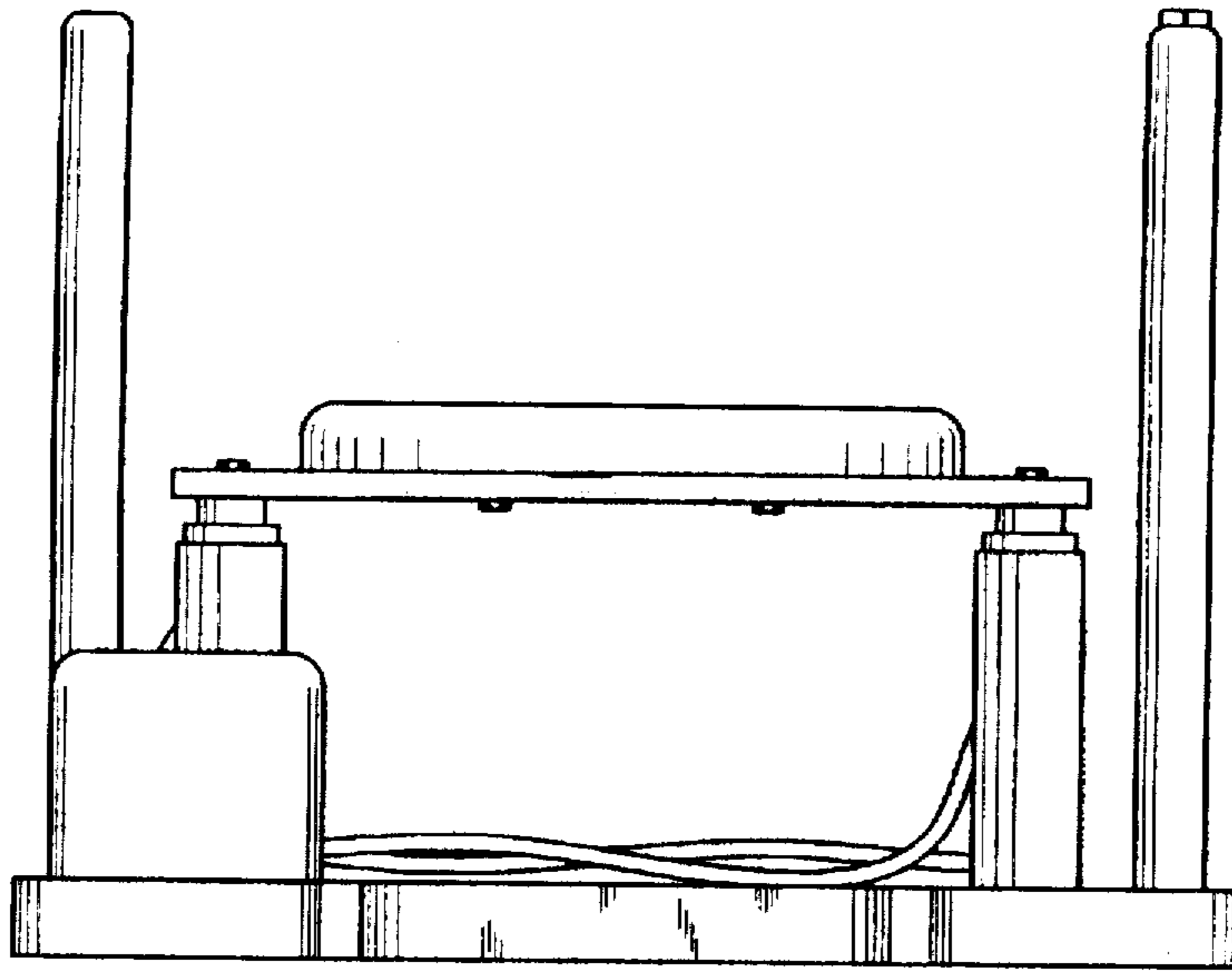




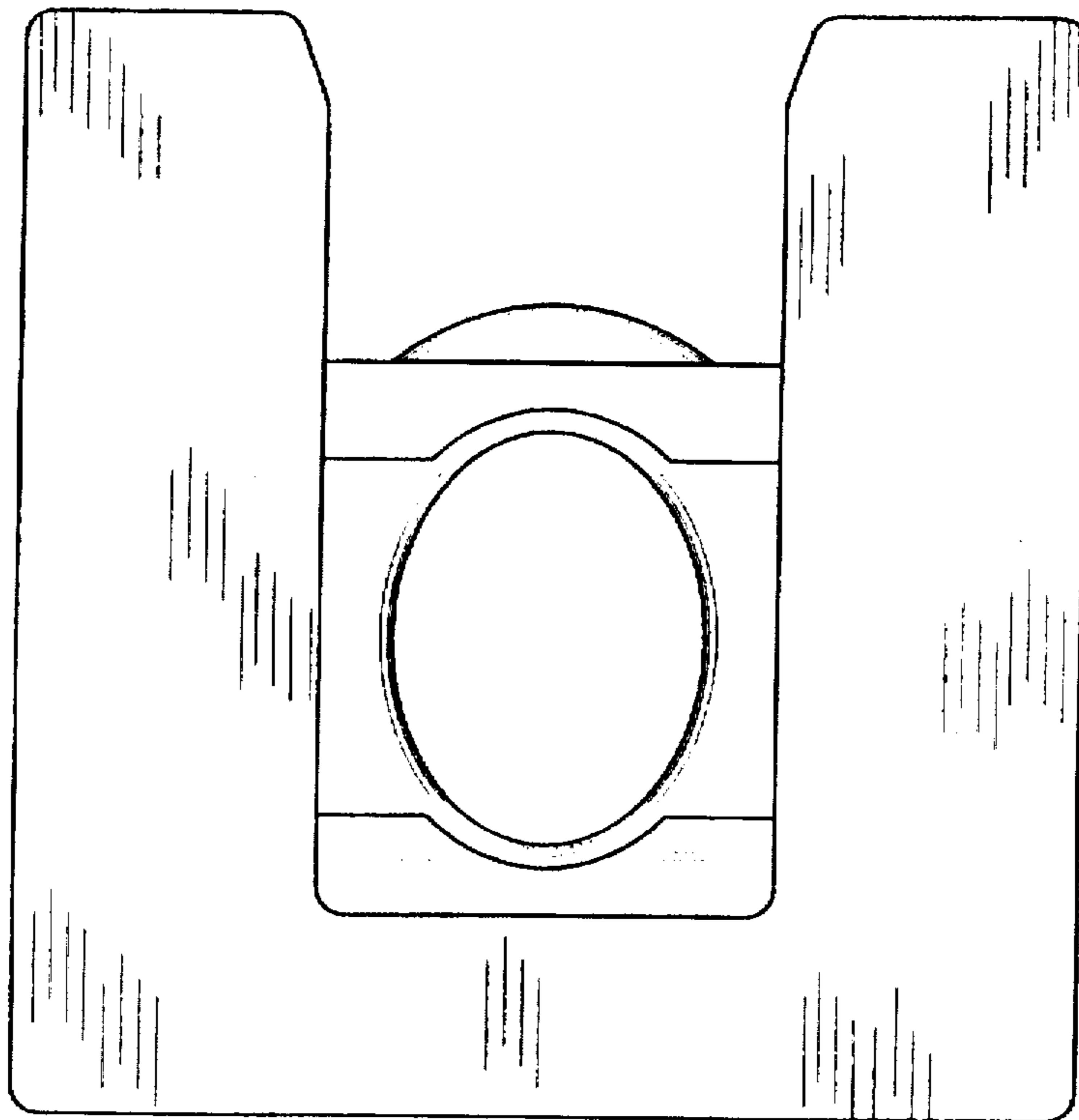
*Fig. 5*



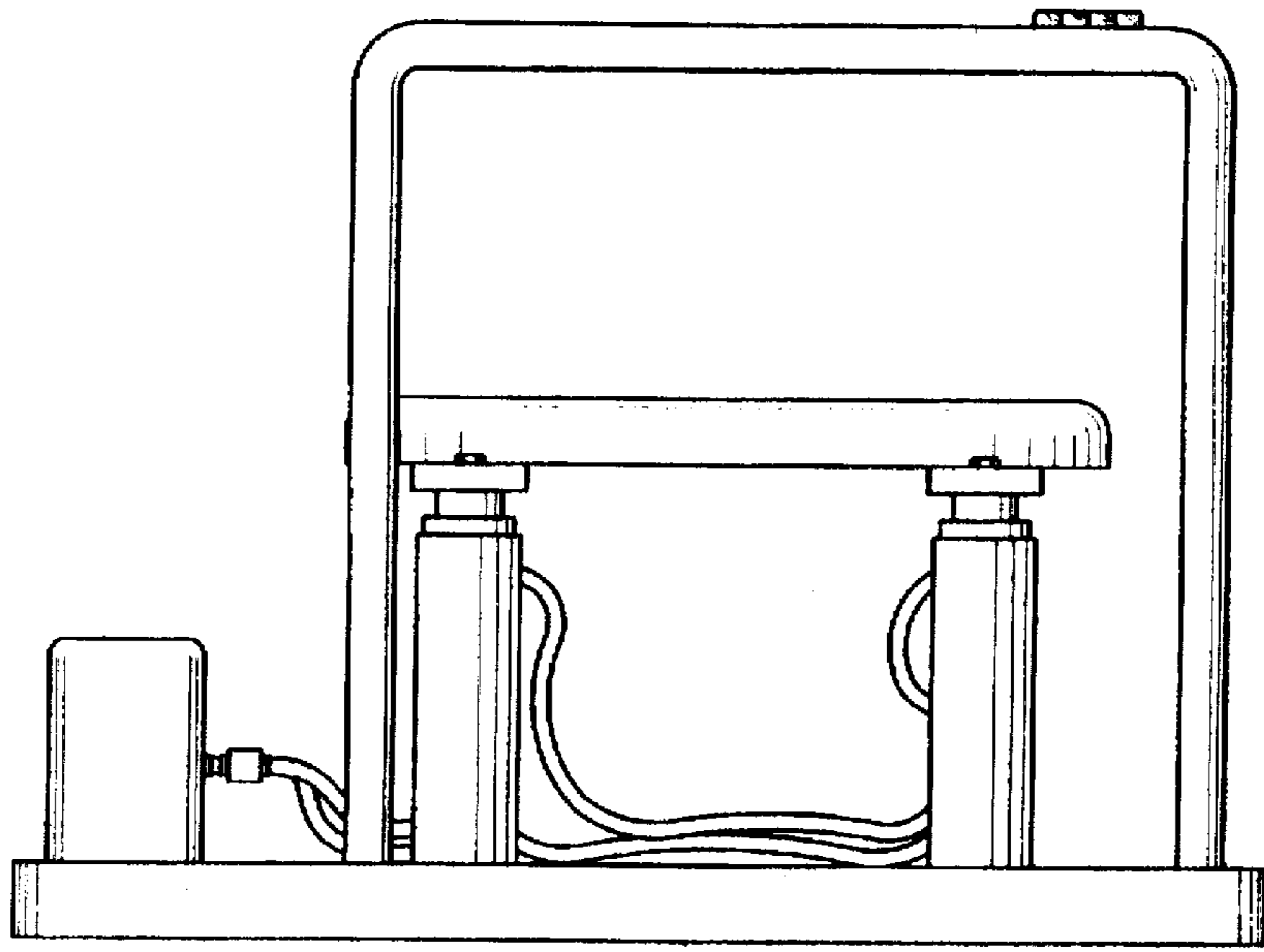
*Fig. 1*



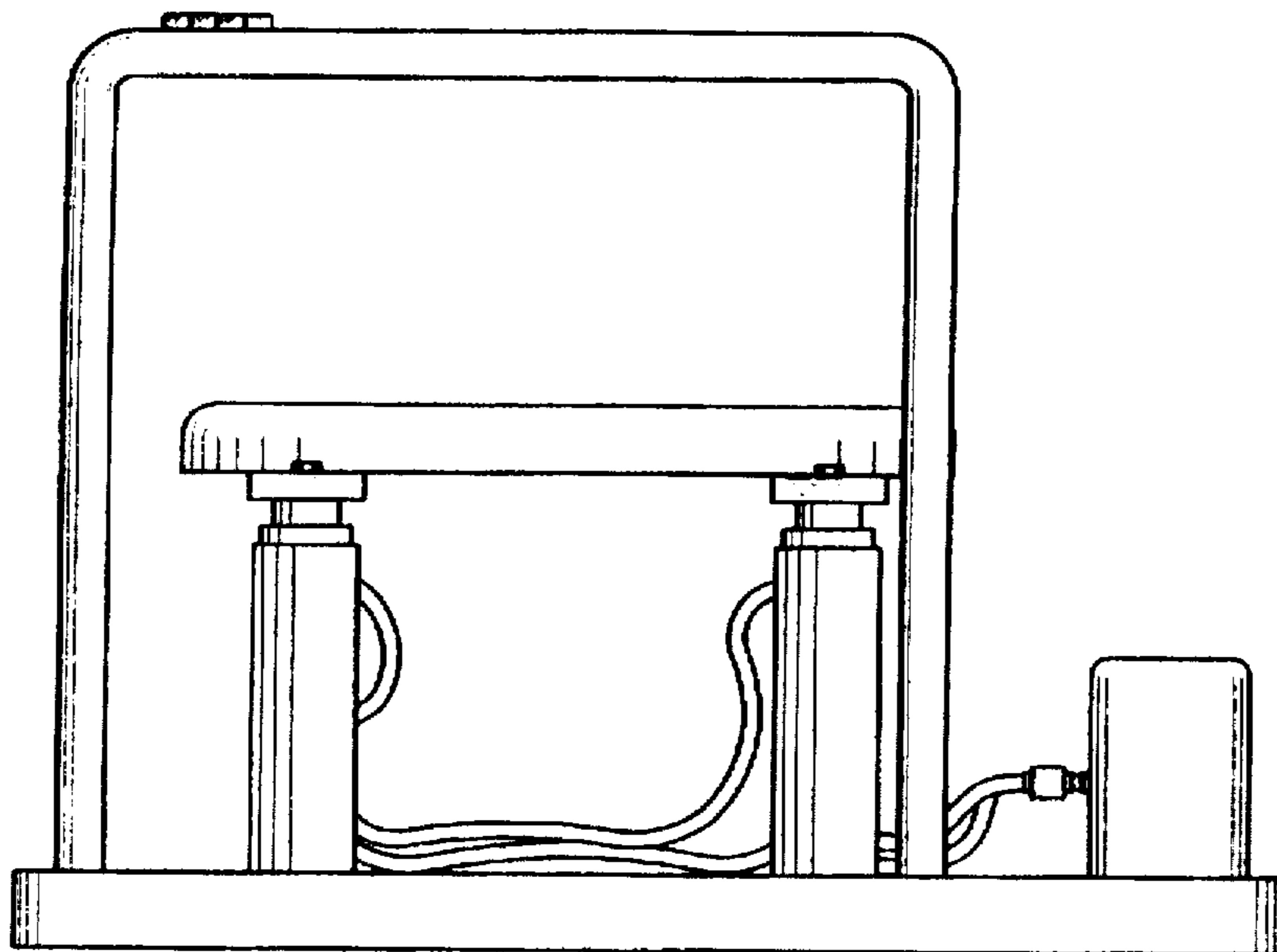
*Fig. 2*



*Fig. 6*



*Fig. 3*



*Fig. 4*