

US00D383833S

United States Patent [19]

Birsel et al.

[11] Patent Number: **Des. 383,833**

[45] Date of Patent: ****Sep. 16, 1997**

[54] **WATER CLOSET**

[75] Inventors: **Ayse Birsel; Koichi Watanabe**, both of Kitakyushu, Japan

[73] Assignee: **Toto Ltd.**, Fukuoka-ken, Japan

[**] Term: **14 Years**

[21] Appl. No.: **41,753**

[22] Filed: **Jun. 24, 1995**

[30] **Foreign Application Priority Data**

Jan. 25, 1995	[JP]	Japan	7-1629
Jan. 25, 1995	[JP]	Japan	7-1630

[51] **LOC (6) Cl.** **23-02**

[52] **U.S. Cl.** **D23/301**

[58] **Field of Search** D23/295, 298, D23/299, 300, 301; 4/353, 421, 424, 428, 430

[56] **References Cited**

U.S. PATENT DOCUMENTS

D. 275,514	9/1984	Enthoven	D23/301
D. 275,598	9/1984	Stairs, Jr.	D23/301
D. 310,407	9/1990	Stairs, Jr.	D23/301
D. 345,597	3/1994	Kohler, Jr. et al.	D23/301
D. 352,996	11/1994	Sim	D23/301

Primary Examiner—Louis S. Zarfaz

Assistant Examiner—Eric Watterson

Attorney, Agent, or Firm—Finnegan, Henderson, Farabow, Garrett & Dunner, L.L.P.

[57] **CLAIM**

The ornamental design for a water closet, as shown and described.

DESCRIPTION

FIG. 1 is a front elevational view of a water closet embodying our design;

FIG. 2 is a top plan view thereof;

FIG. 3 is a rear elevational view thereof;

FIG. 4 is a bottom plan view thereof;

FIG. 5 is a right elevational view thereof, the left elevational view being a mirror image of the right view;

FIG. 6 is a cross-sectional view thereof taken along line 6—6 in FIG. 1;

FIG. 7 is a perspective view thereof;

FIG. 8 is a front elevation view of a second embodiment thereof;

FIG. 9 is a top plan view of the second embodiment;

FIG. 10 is a rear elevational view of the second embodiment;

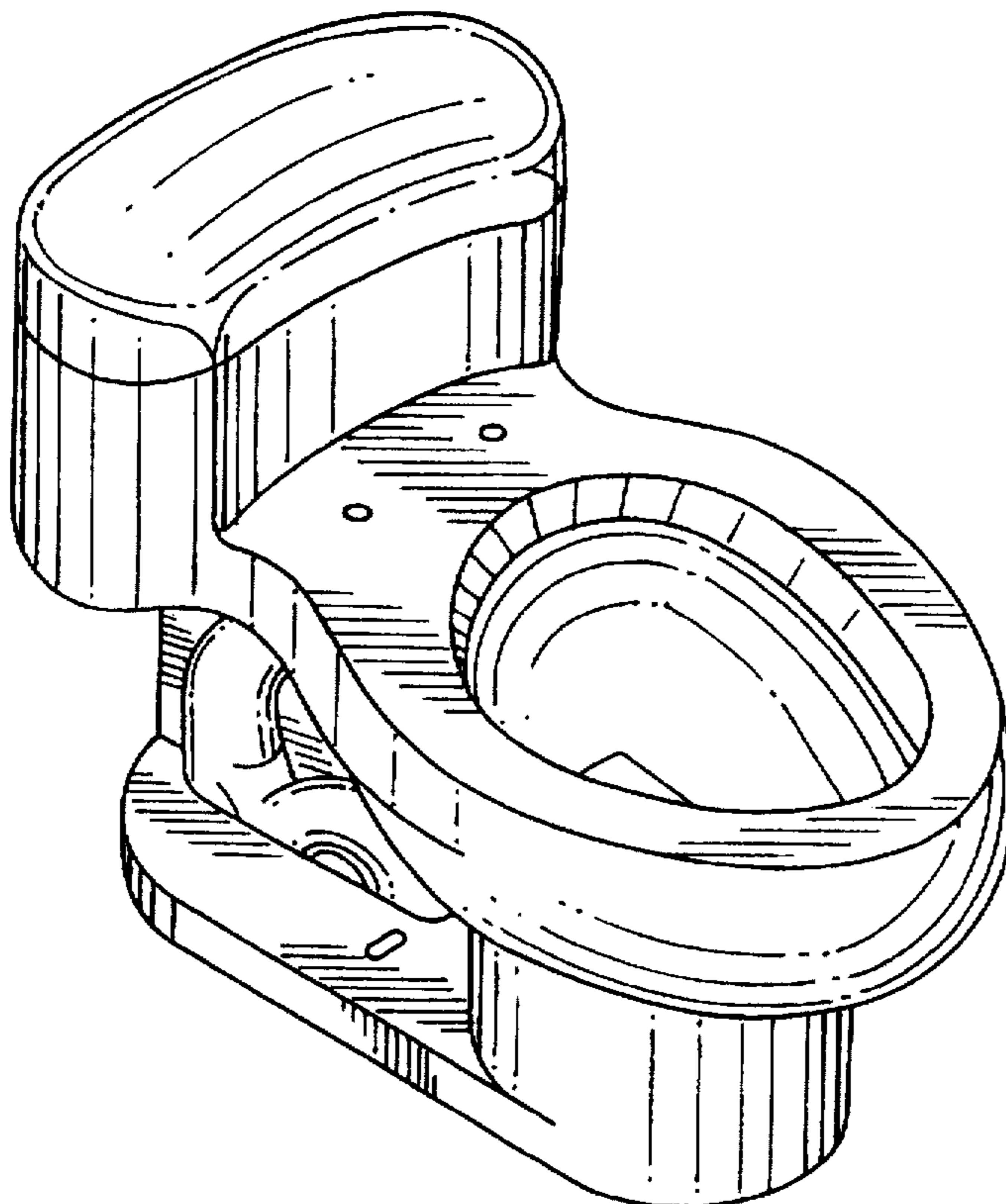
FIG. 11 is a bottom plan view of the second embodiment;

FIG. 12 is a right elevational view of the second embodiment, the left elevational view being a mirror image of the right view;

FIG. 13 is a cross-sectional view of the second embodiment taken long line 8—8 of FIG. 8; and,

FIG. 14 is a perspective view of the second embodiment.

1 Claim, 8 Drawing Sheets



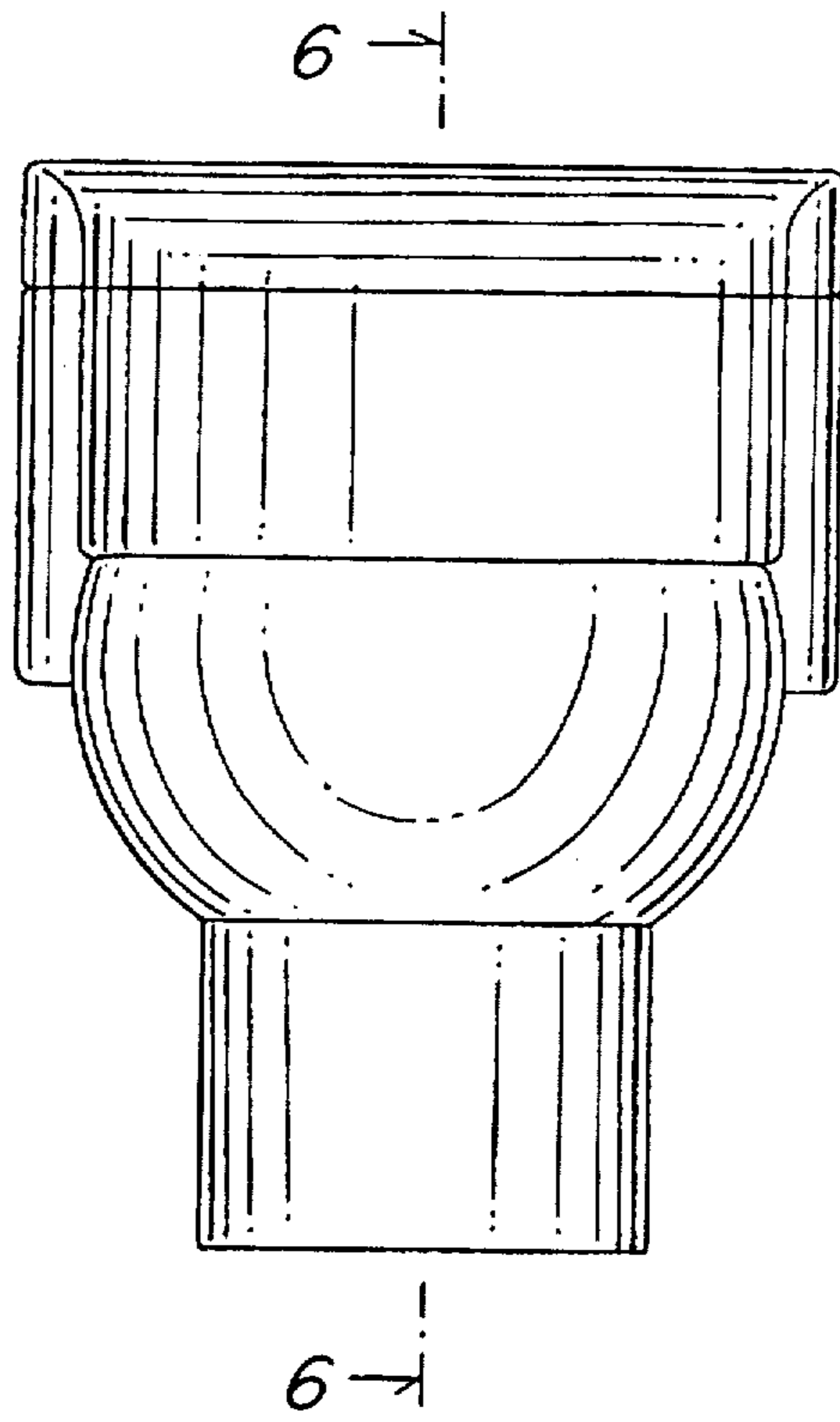


Figure 1

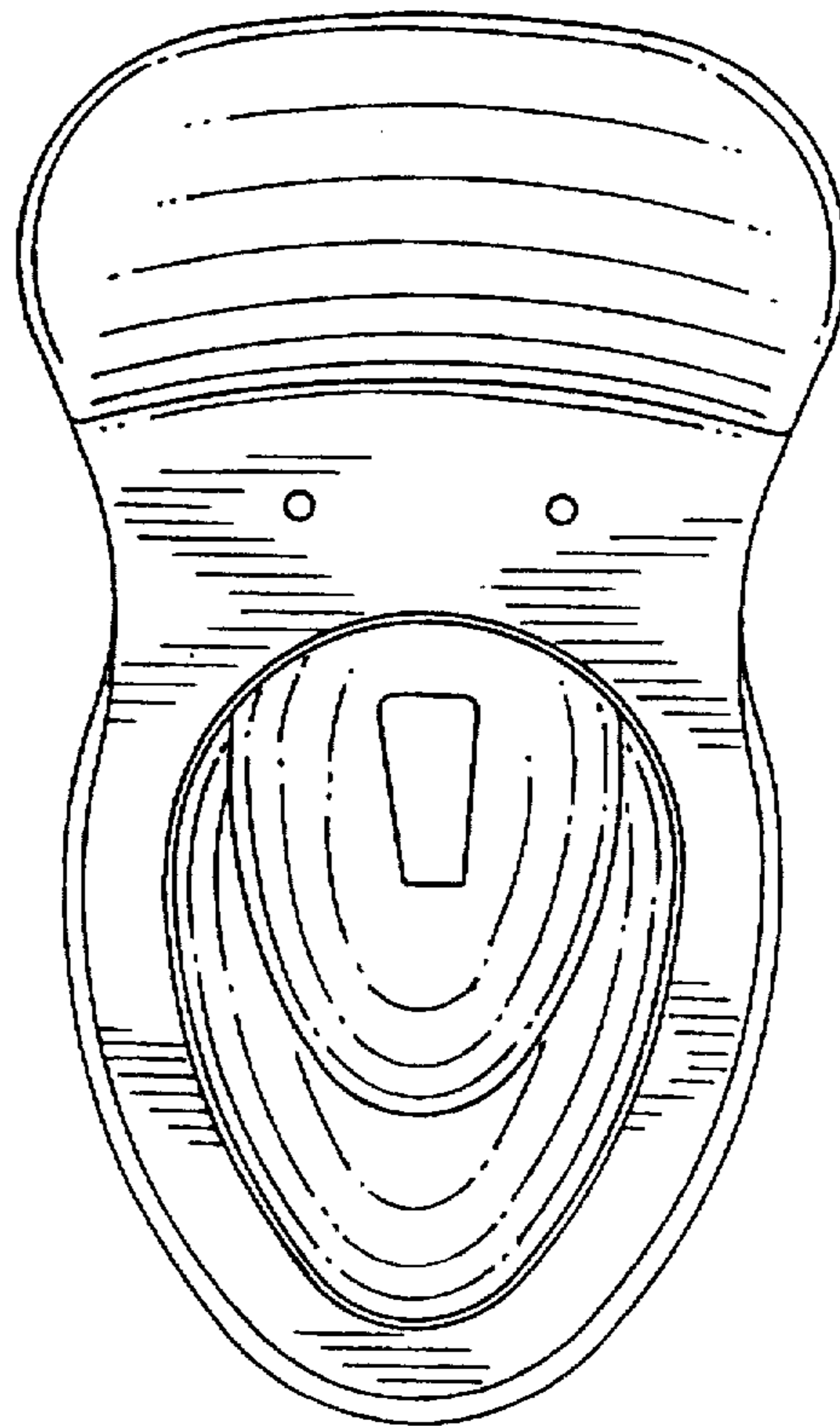


Figure 2

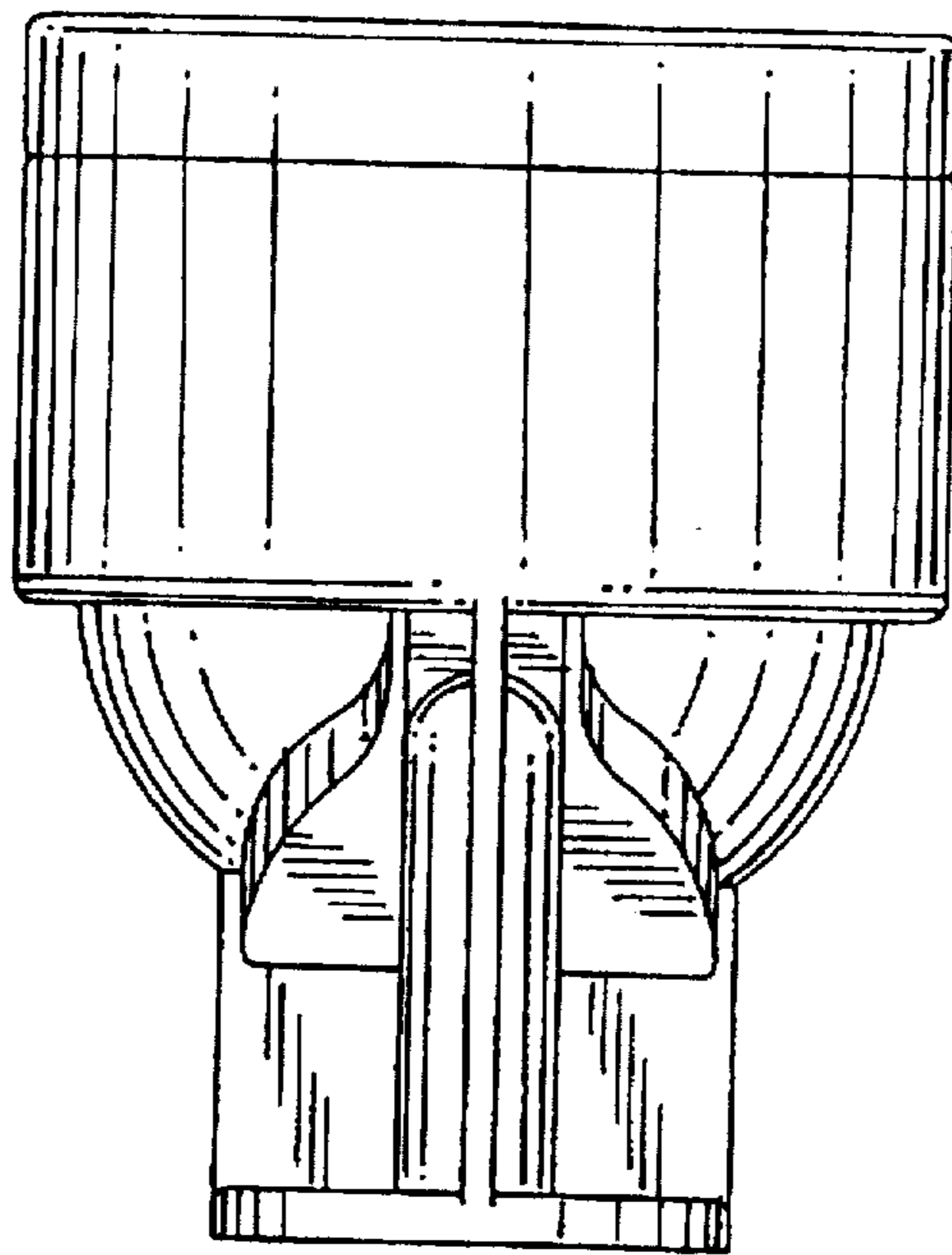


Figure 3

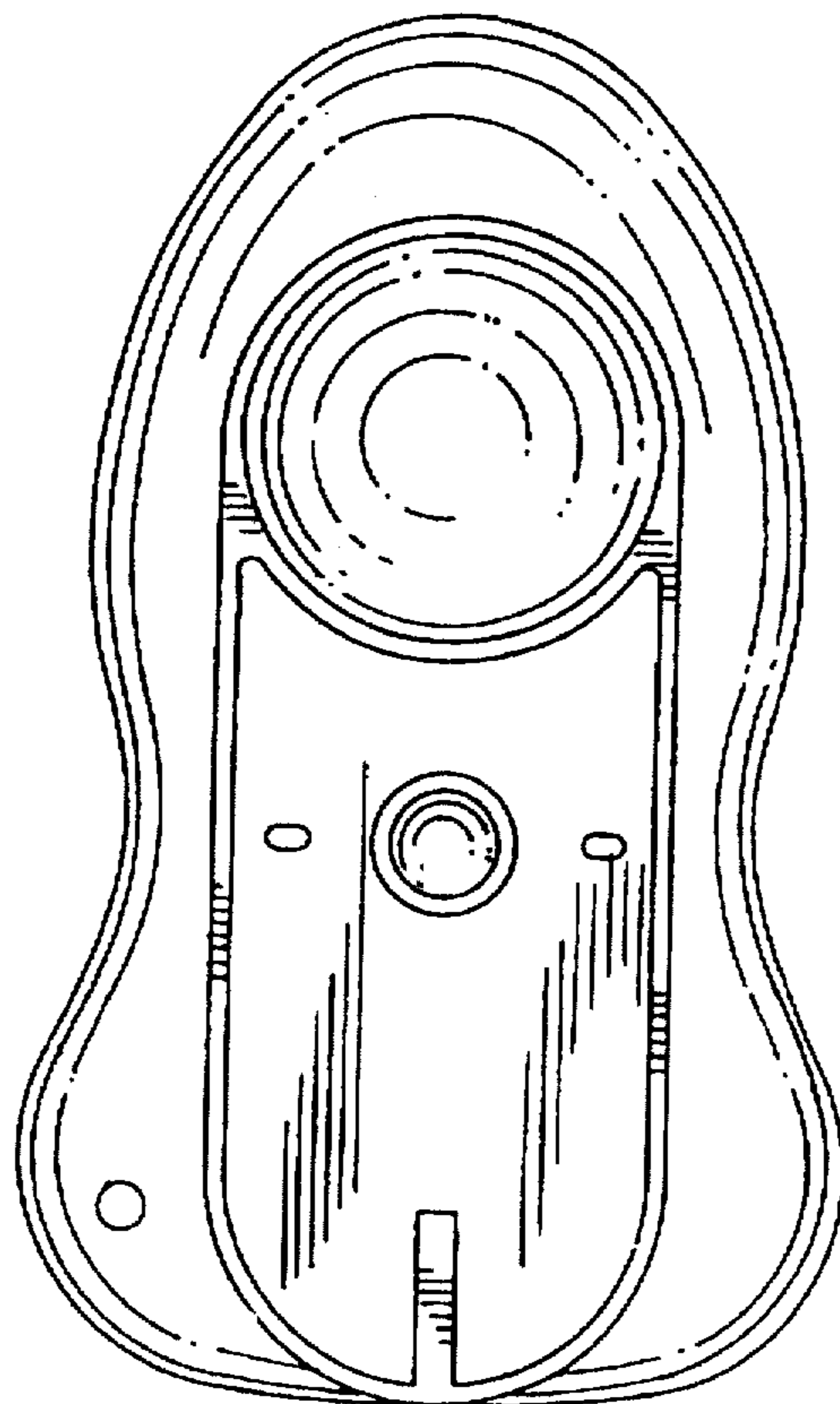


Figure 4

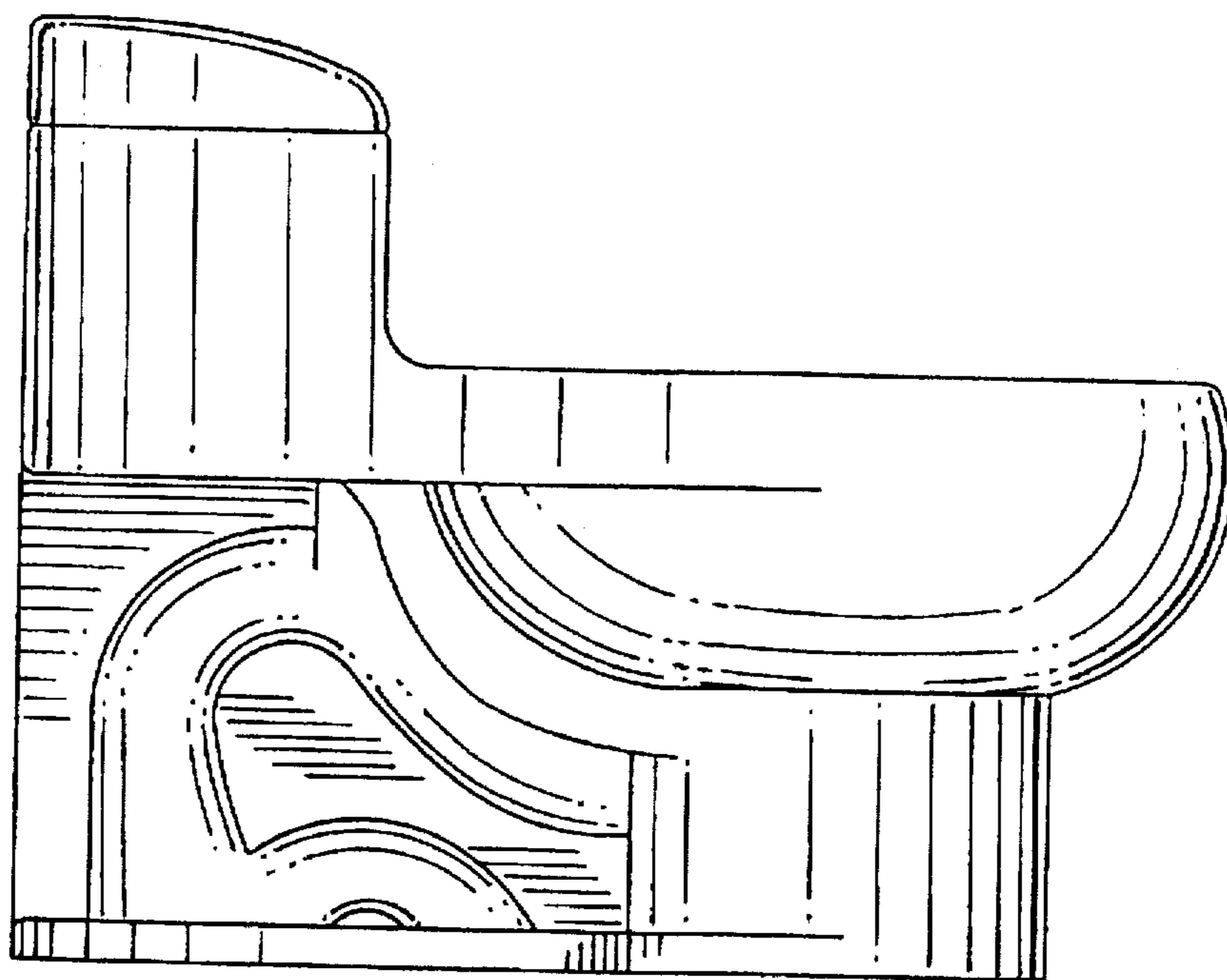


Figure 5

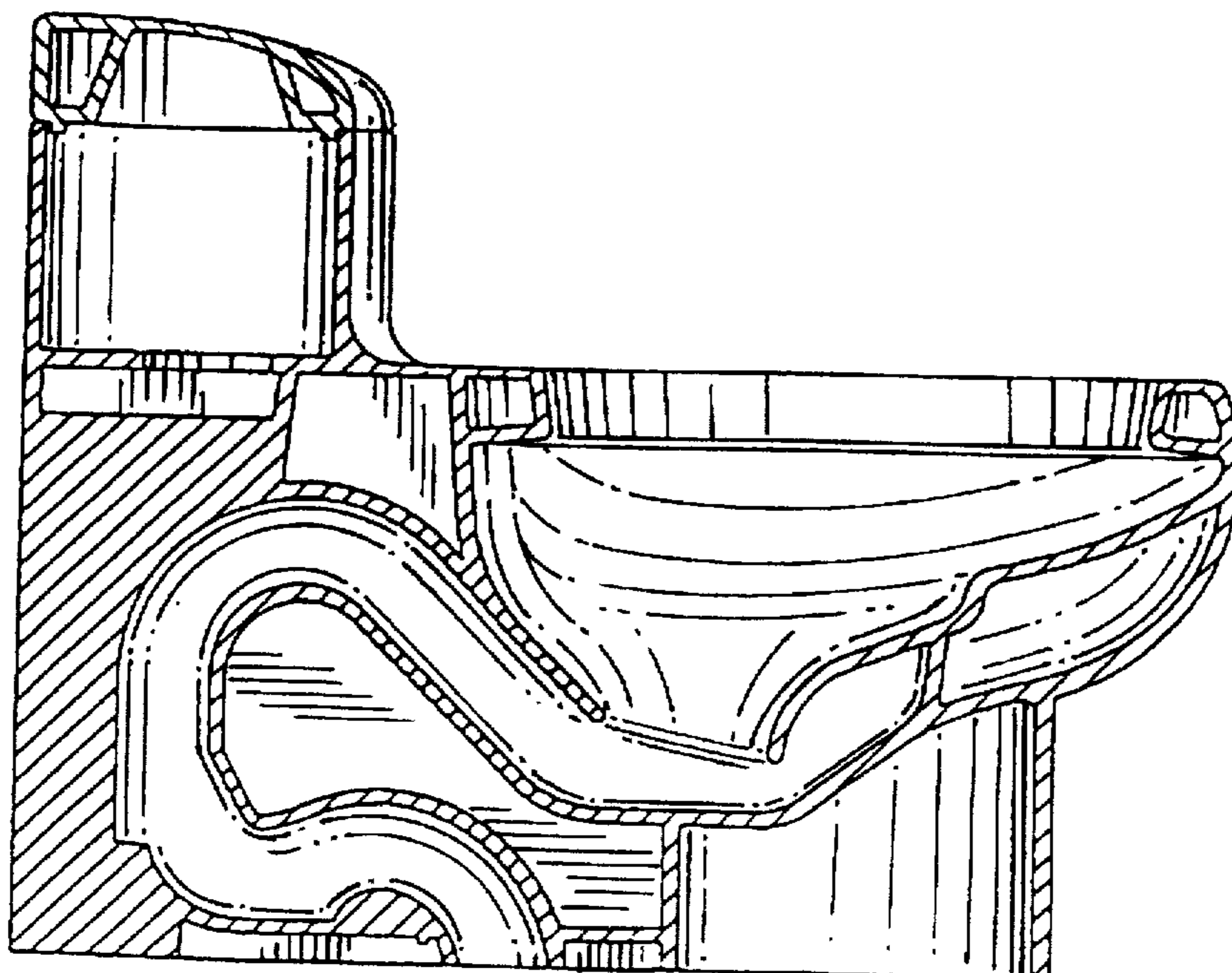


Figure 6

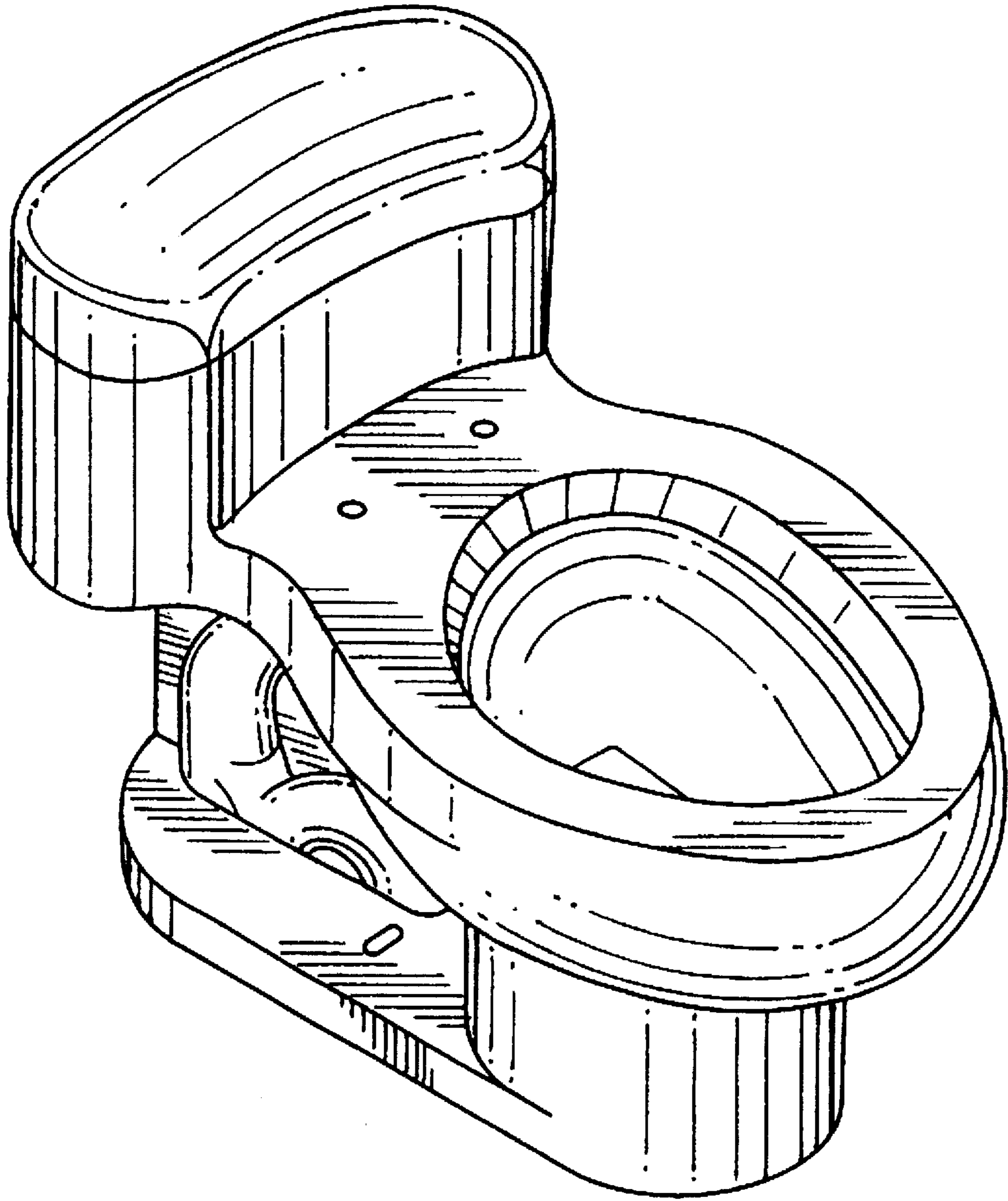


Figure 7

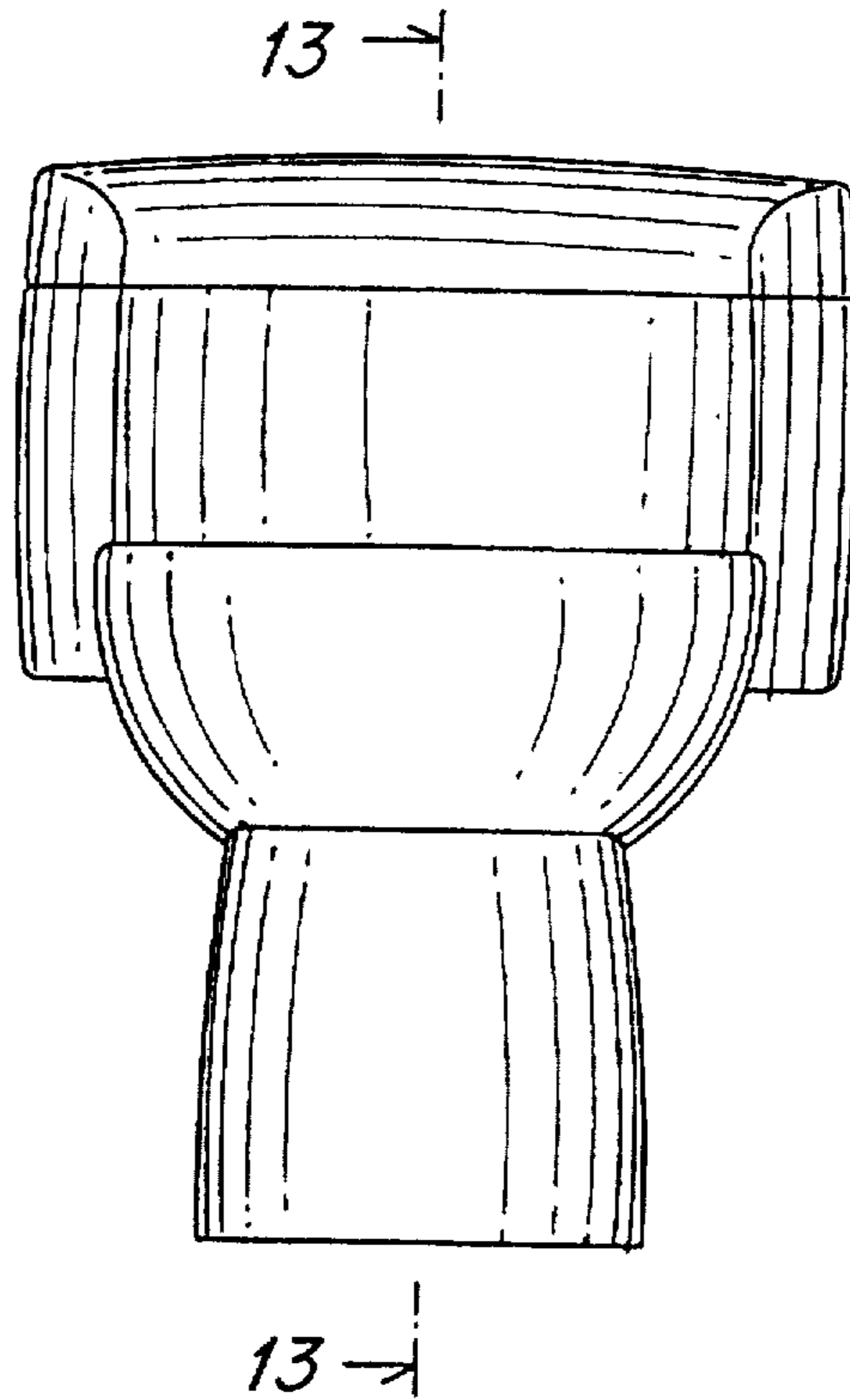


Figure 8

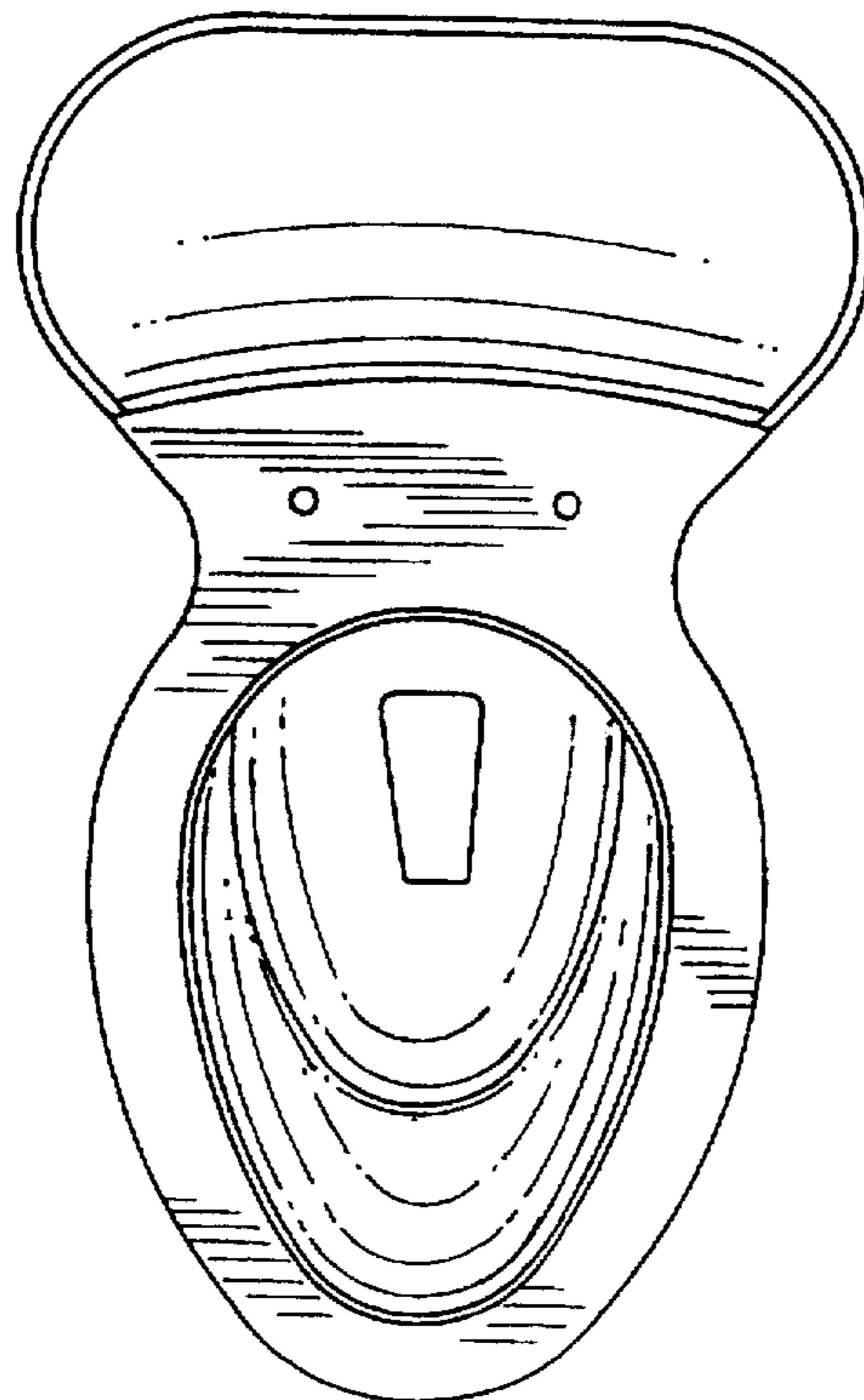


Figure 9

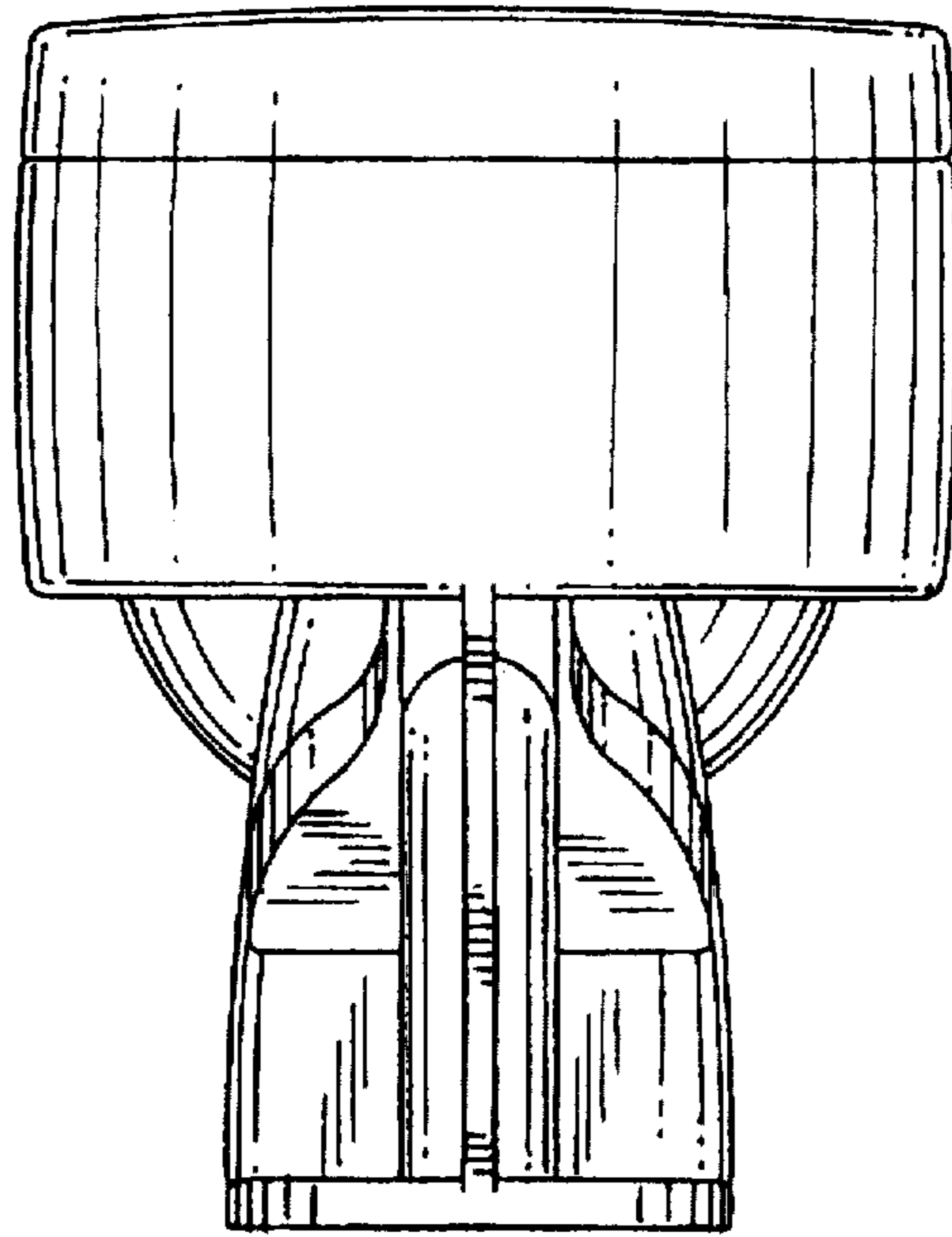


Figure 10

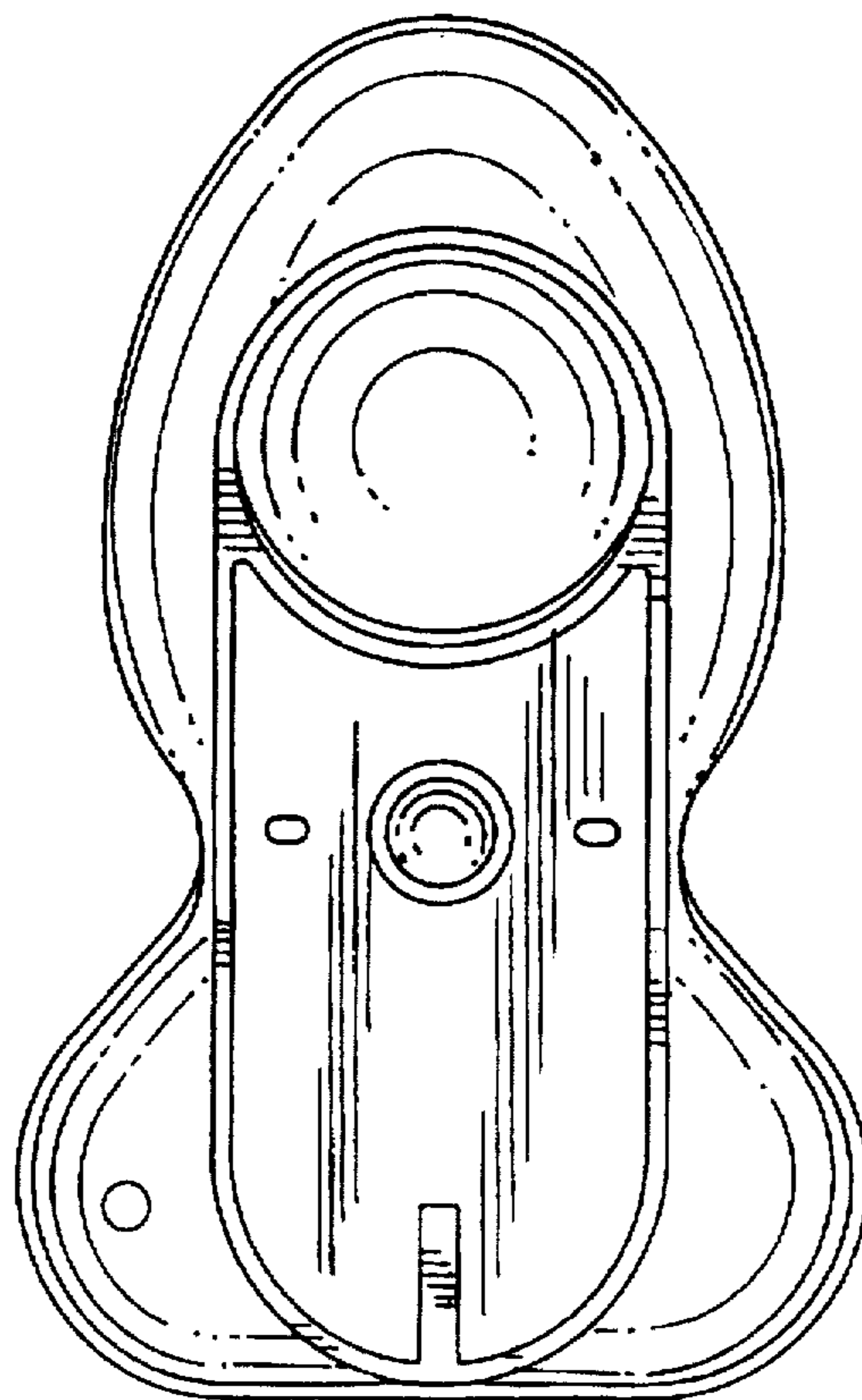


Figure 11

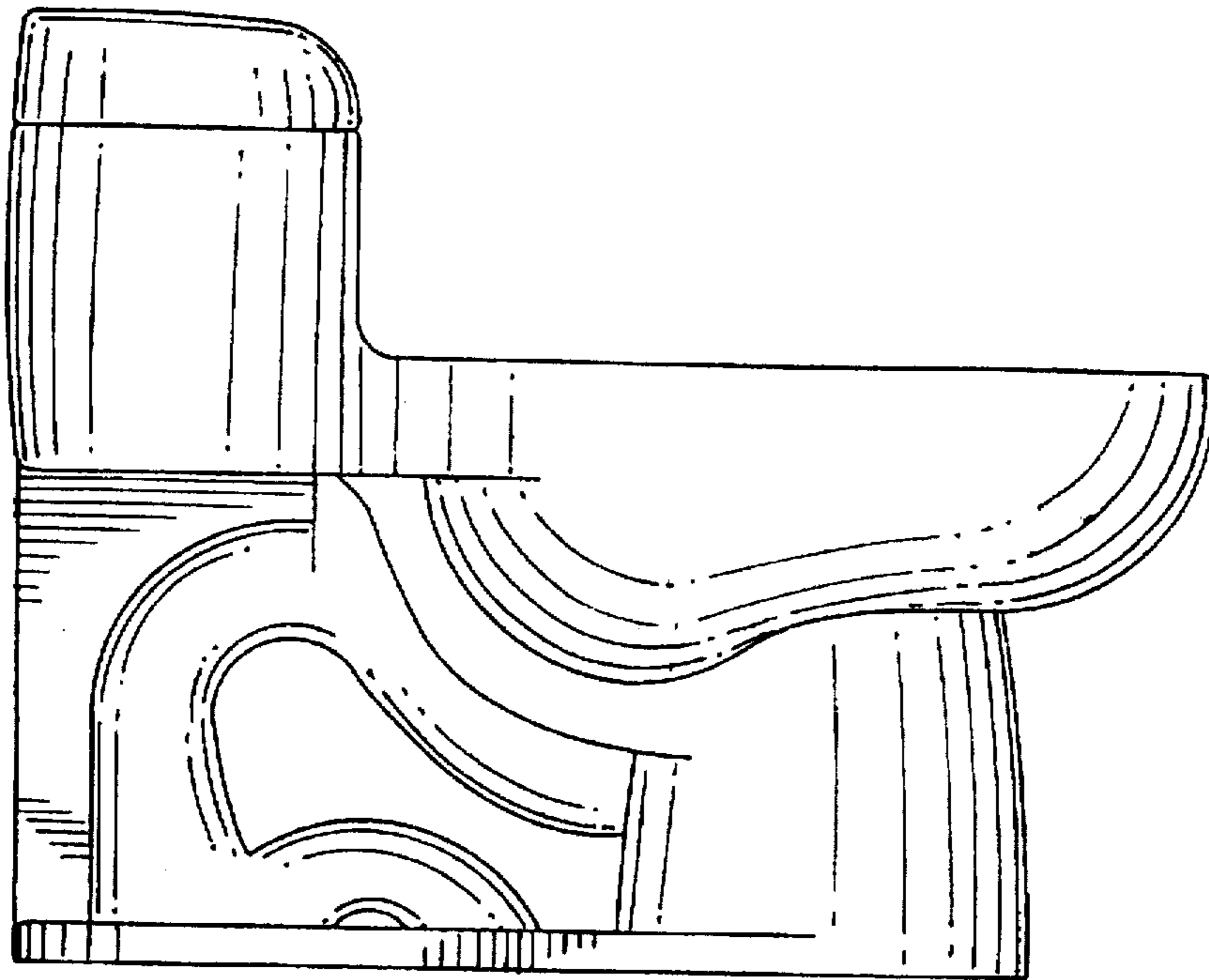


Figure 12

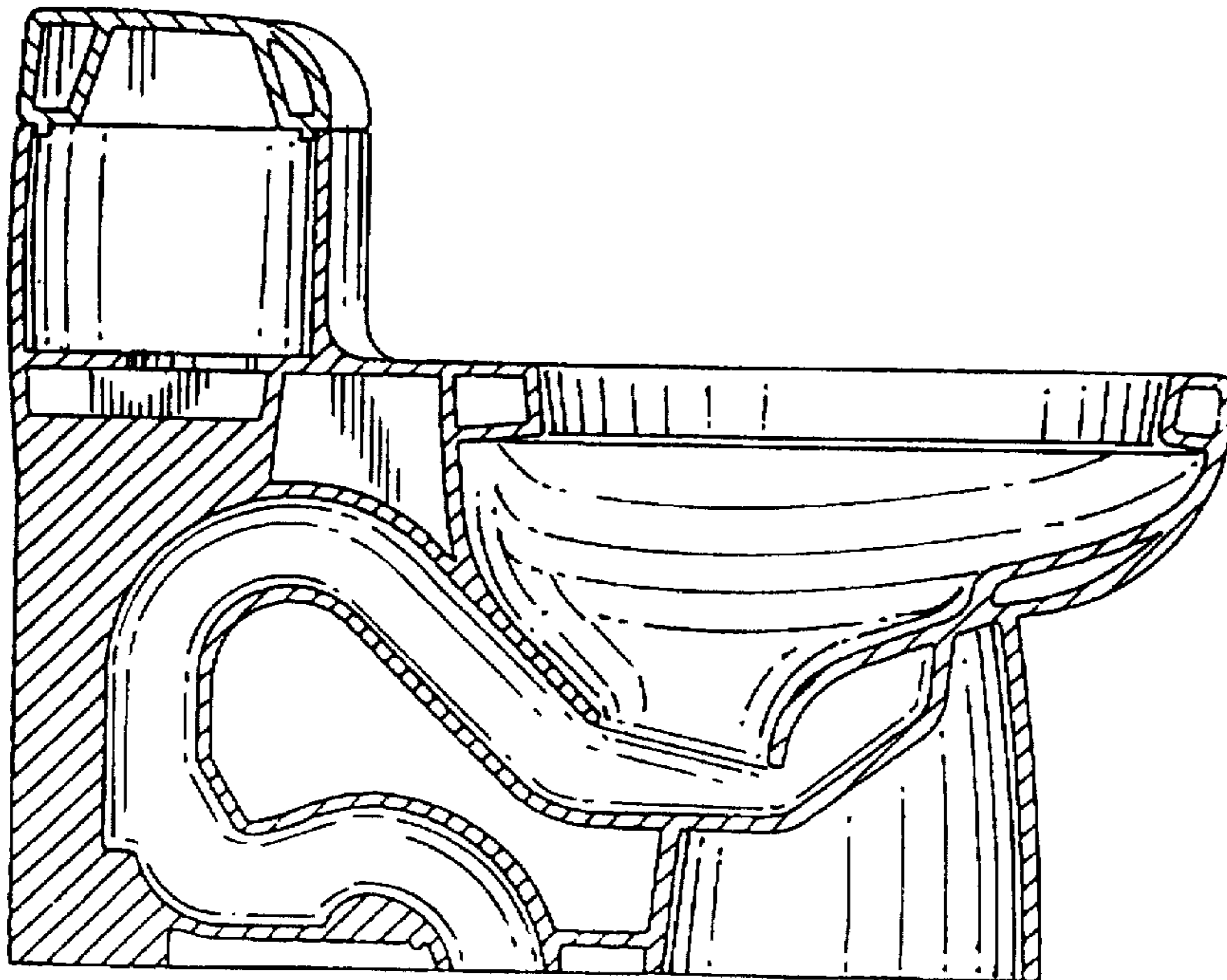


Figure 13

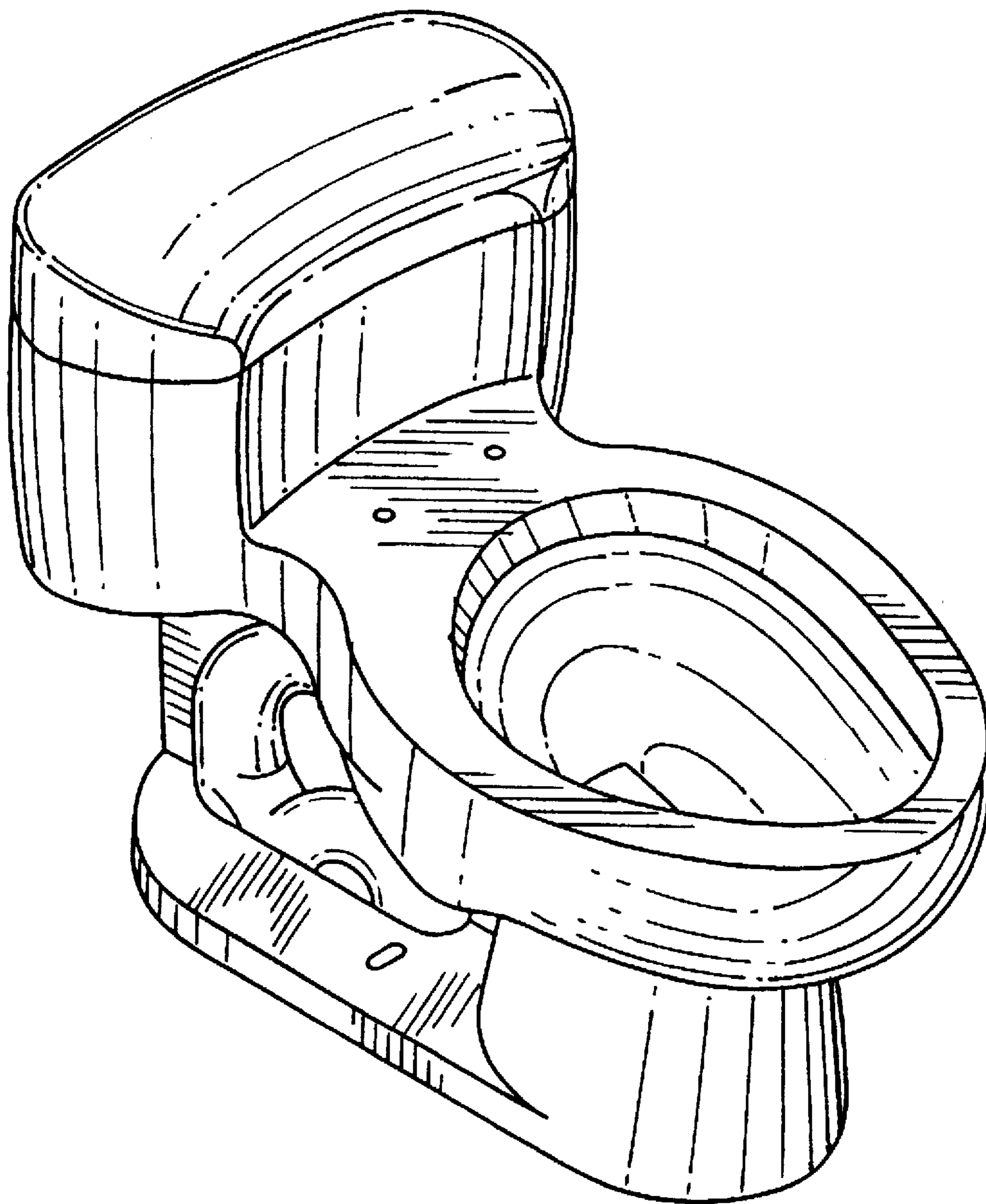


Figure 14

UNITED STATES PATENT AND TRADEMARK OFFICE
CERTIFICATE OF CORRECTION

PATENT NO. : Des. 383,833
DATED : September 16, 1997
INVENTOR(S) : Ayse BIRSEL et al.

It is certified that error appears in the above-identified patent and that said Letters Patent is hereby corrected as shown below:

The Title Page, in the Description, line 20, "long"
should read --along--.

Signed and Sealed this
Twenty-eighth Day of July, 1998



Attest:

BRUCE LEHMAN

Attesting Officer

Commissioner of Patents and Trademarks