



US00D383829S

United States Patent [19] Guo

[11] Patent Number: **Des. 383,829**
[45] Date of Patent: ****Sep. 16, 1997**

[54] **FILTER FOR AN AQUARIUM**
[76] Inventor: **Shoei Her Guo**, P.O. Box 82-144,
Taipei, Taiwan
[**] Term: **14 Years**
[21] Appl. No.: **39,805**
[22] Filed: **May 26, 1995**
[51] LOC (6) Cl. **23-01**
[52] U.S. Cl. **D23/210**
[58] Field of Search D23/200, 209,
D23/210; 119/261, 263; 210/167, 169,
416.2, 416.1, 448, 452

4,783,258 11/1988 Willinger et al. 210/416.2
4,842,727 6/1989 Willinger et al. 210/416.2

Primary Examiner—A. Hugo Word
Assistant Examiner—Robin V. Taylor

[57] CLAIM

The ornamental design for a filter for an aquarium, is shown and described.

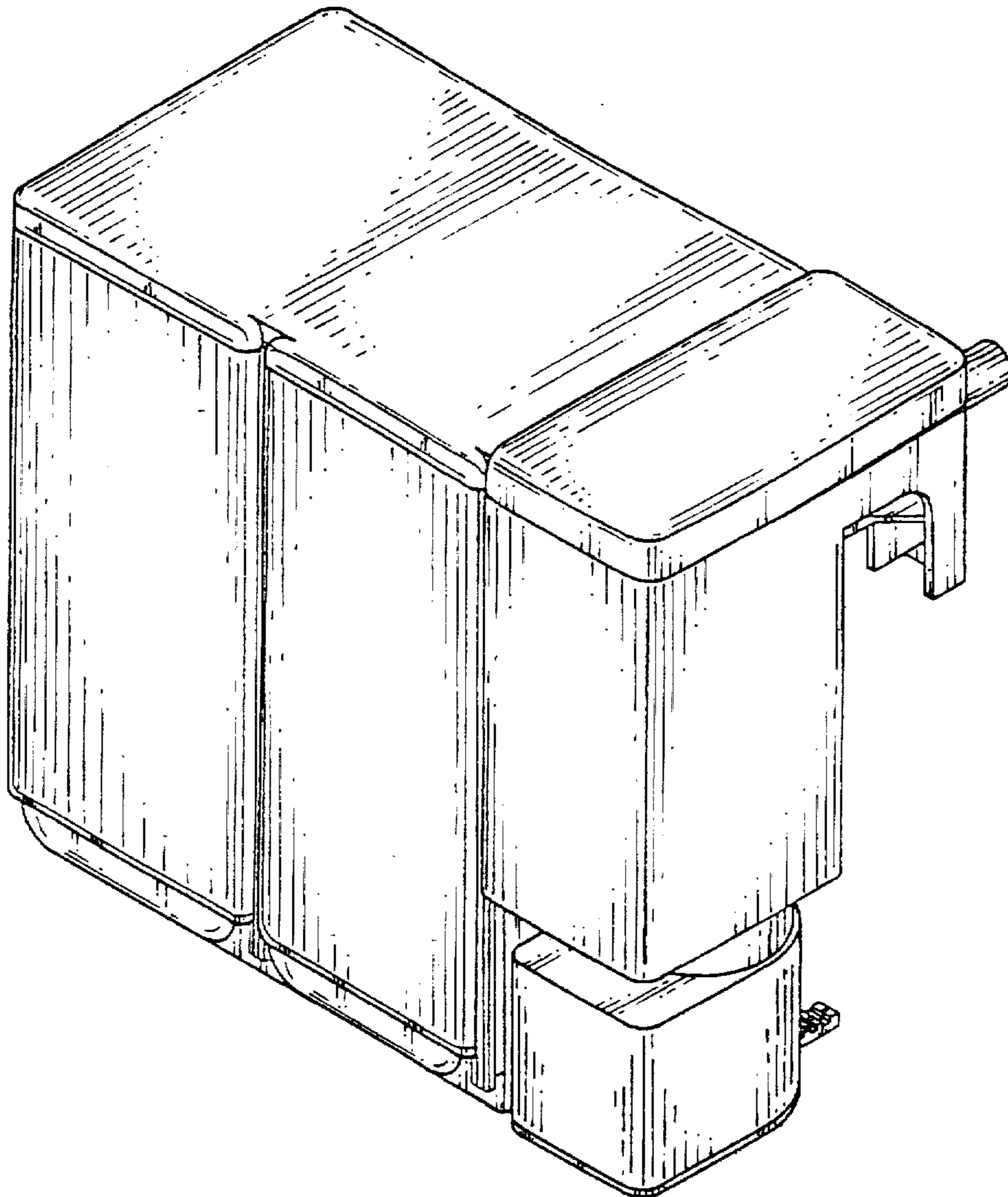
DESCRIPTION

FIG. 1 is a perspective view of a filter for an aquarium showing my new design;
FIG. 2 is a front view thereof;
FIG. 3 is a rear view thereof;
FIG. 4 is a left side elevational view thereof;
FIG. 5 is a right side elevational view thereof;
FIG. 6 is a top plan view thereof; and,
FIG. 7 is a bottom plan view thereof; and,
FIG. 8 is a rear perspective view thereof.

1 Claim, 5 Drawing Sheets

[56] References Cited U.S. PATENT DOCUMENTS

D. 220,486 4/1971 Sesholtz D23/209
D. 222,619 11/1971 Lovitz D23/210
3,513,978 5/1970 Newsteder 119/261



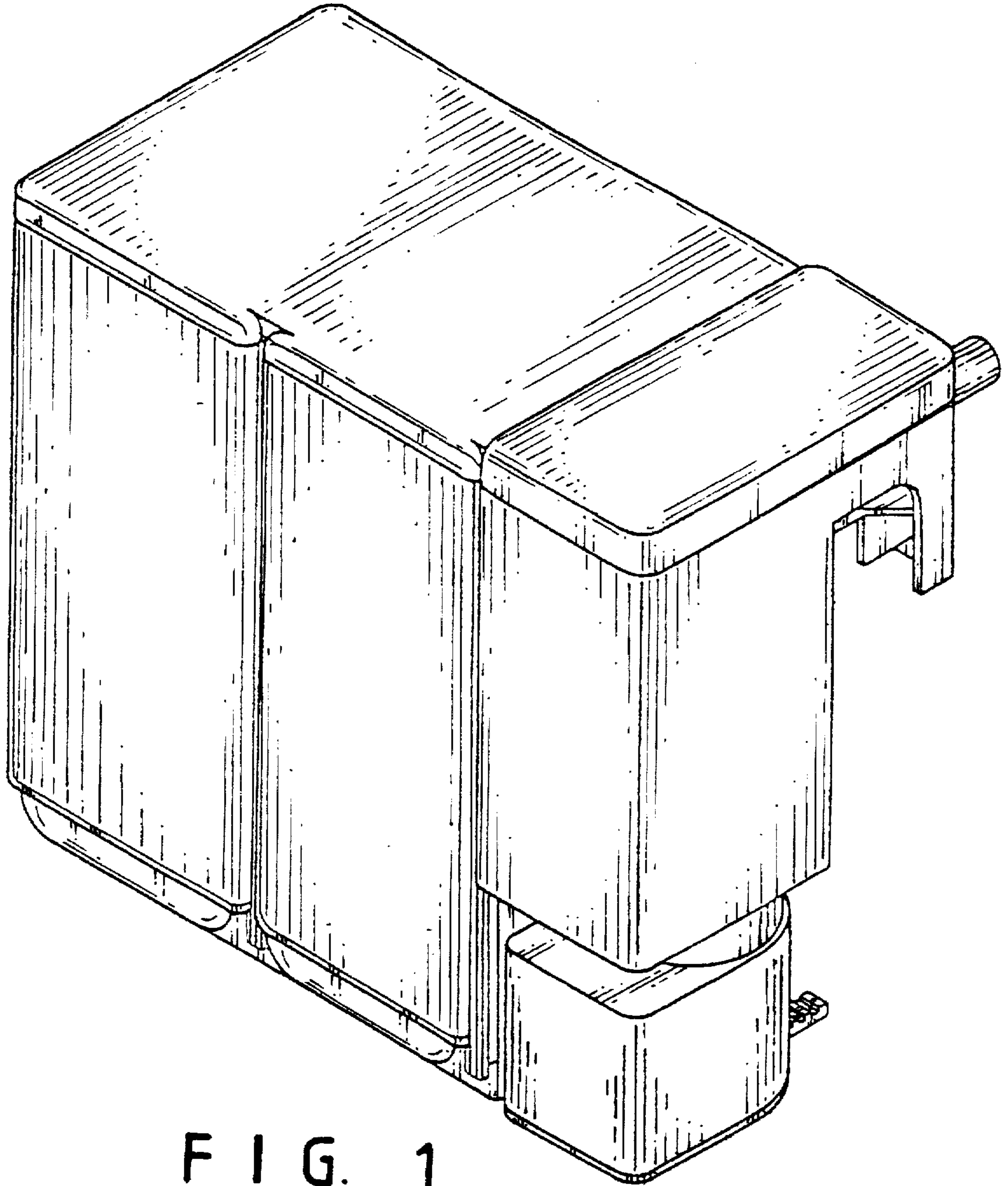


FIG. 1

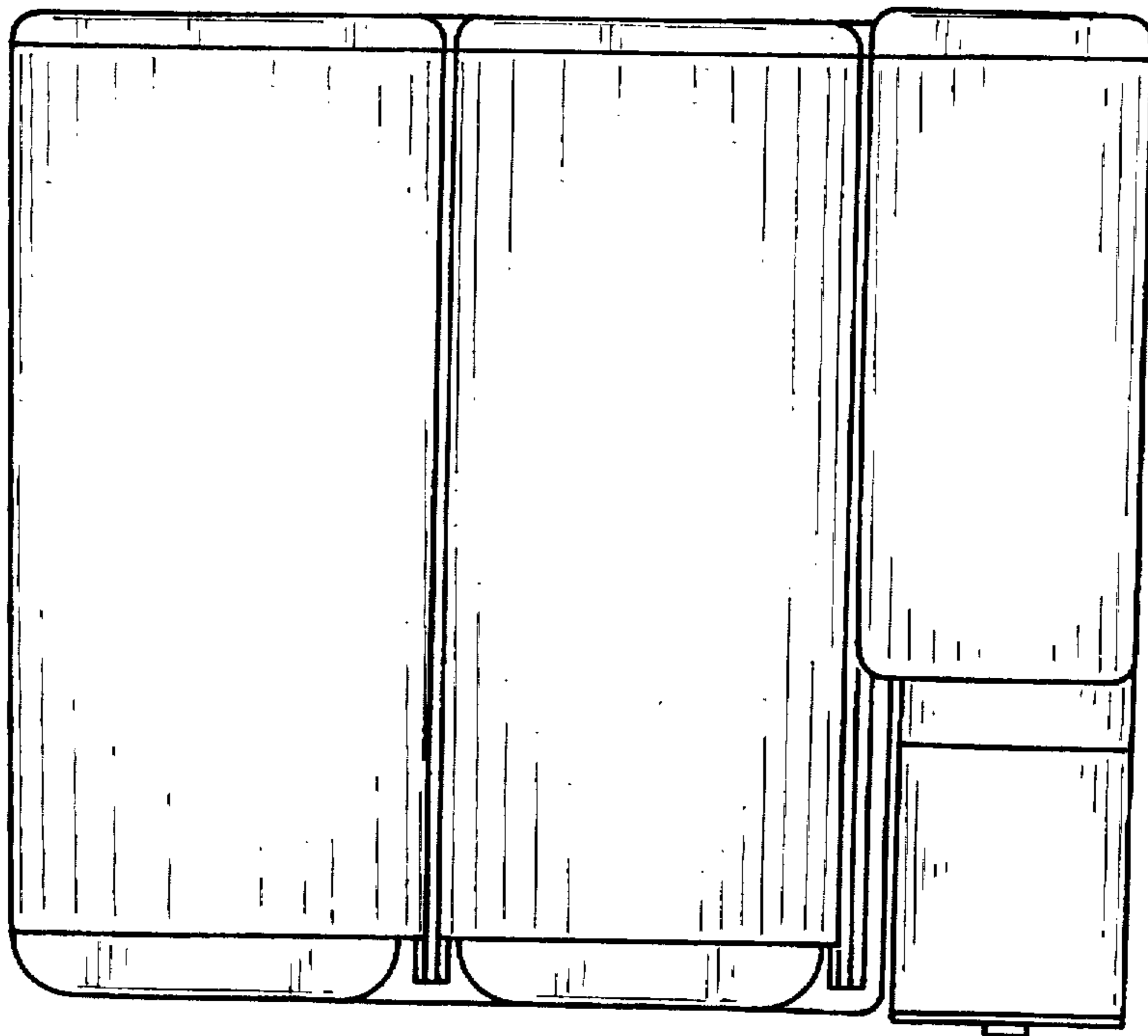


FIG. 2

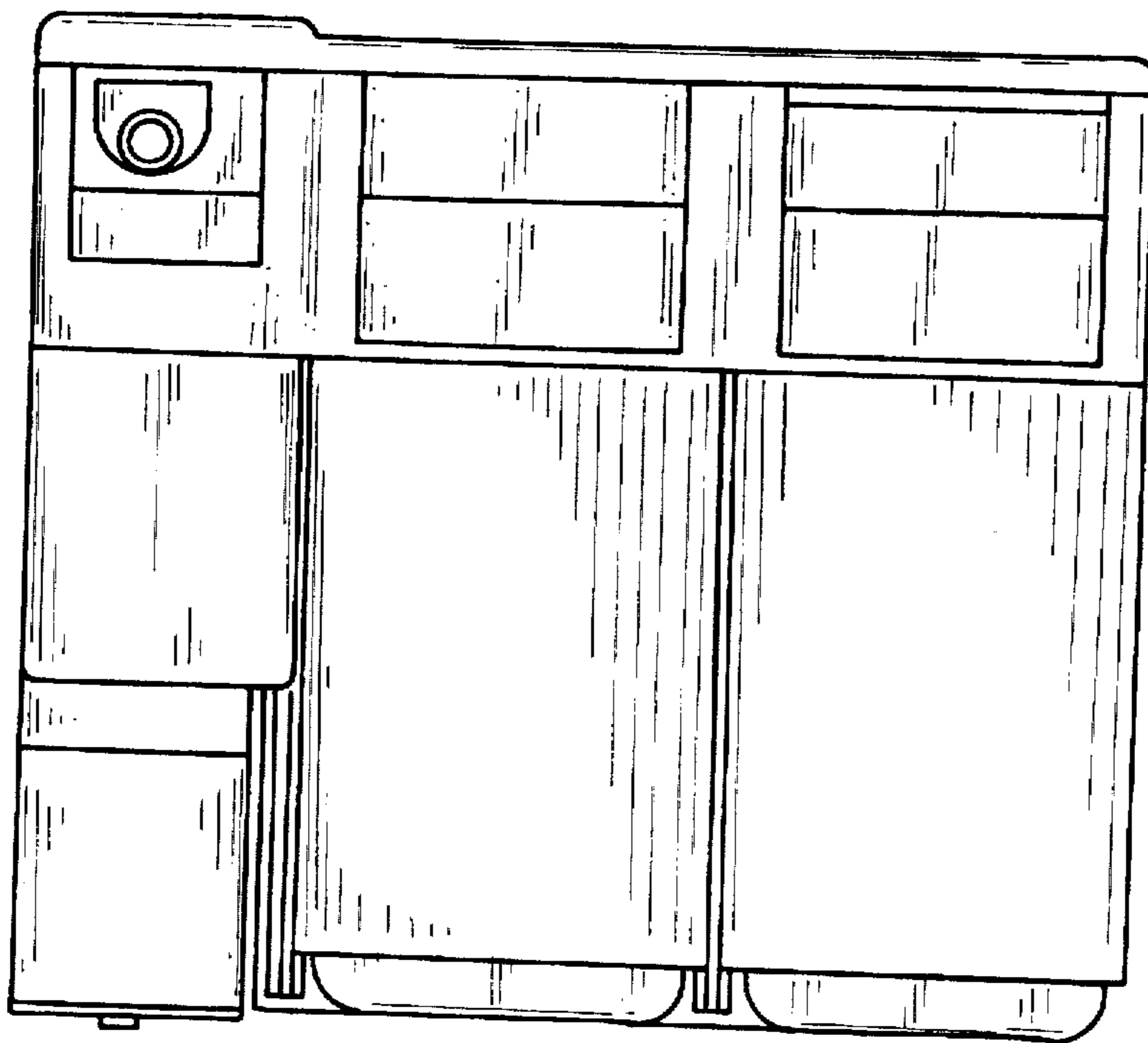


FIG. 3

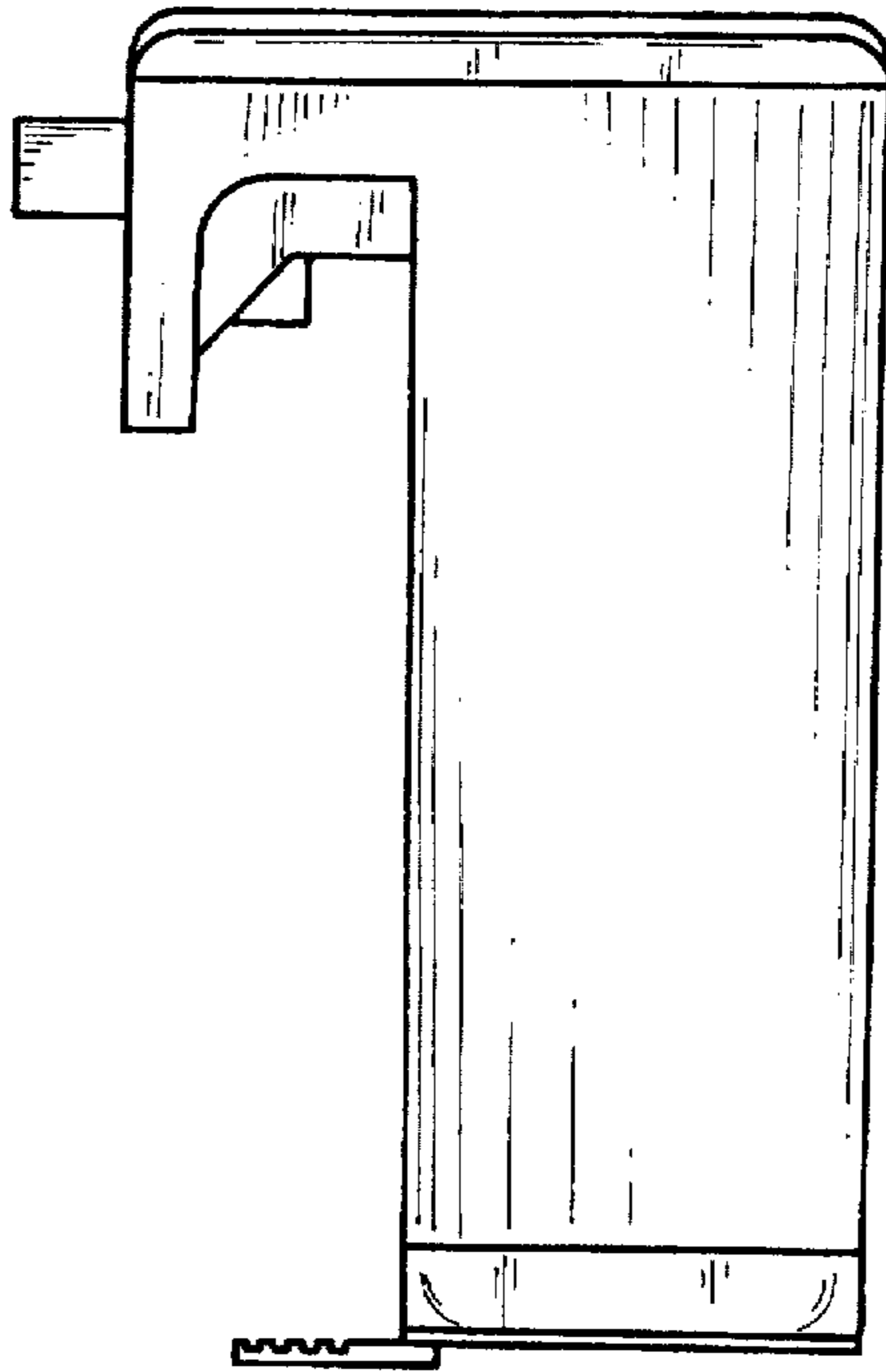


FIG. 4

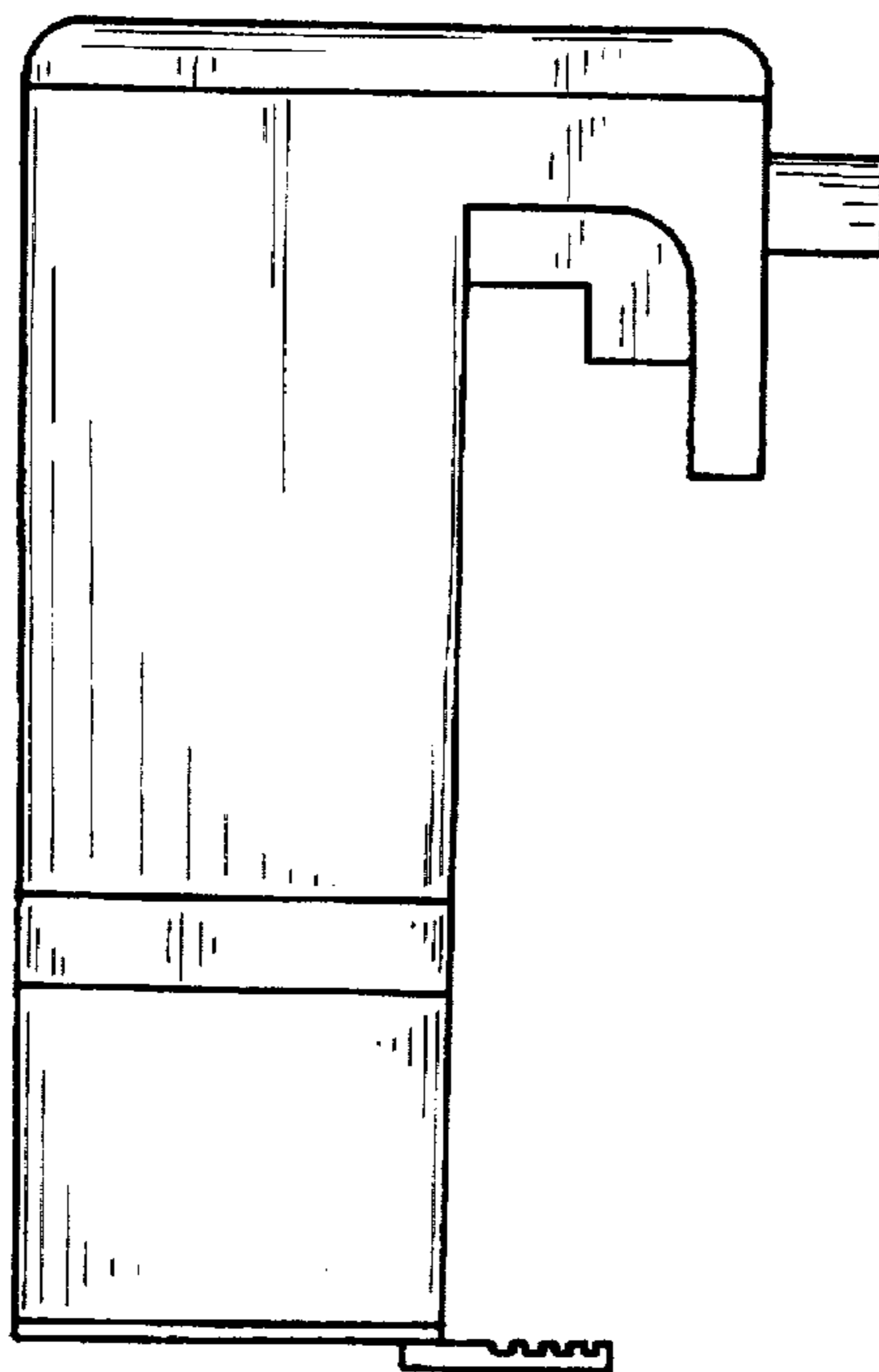


FIG. 5

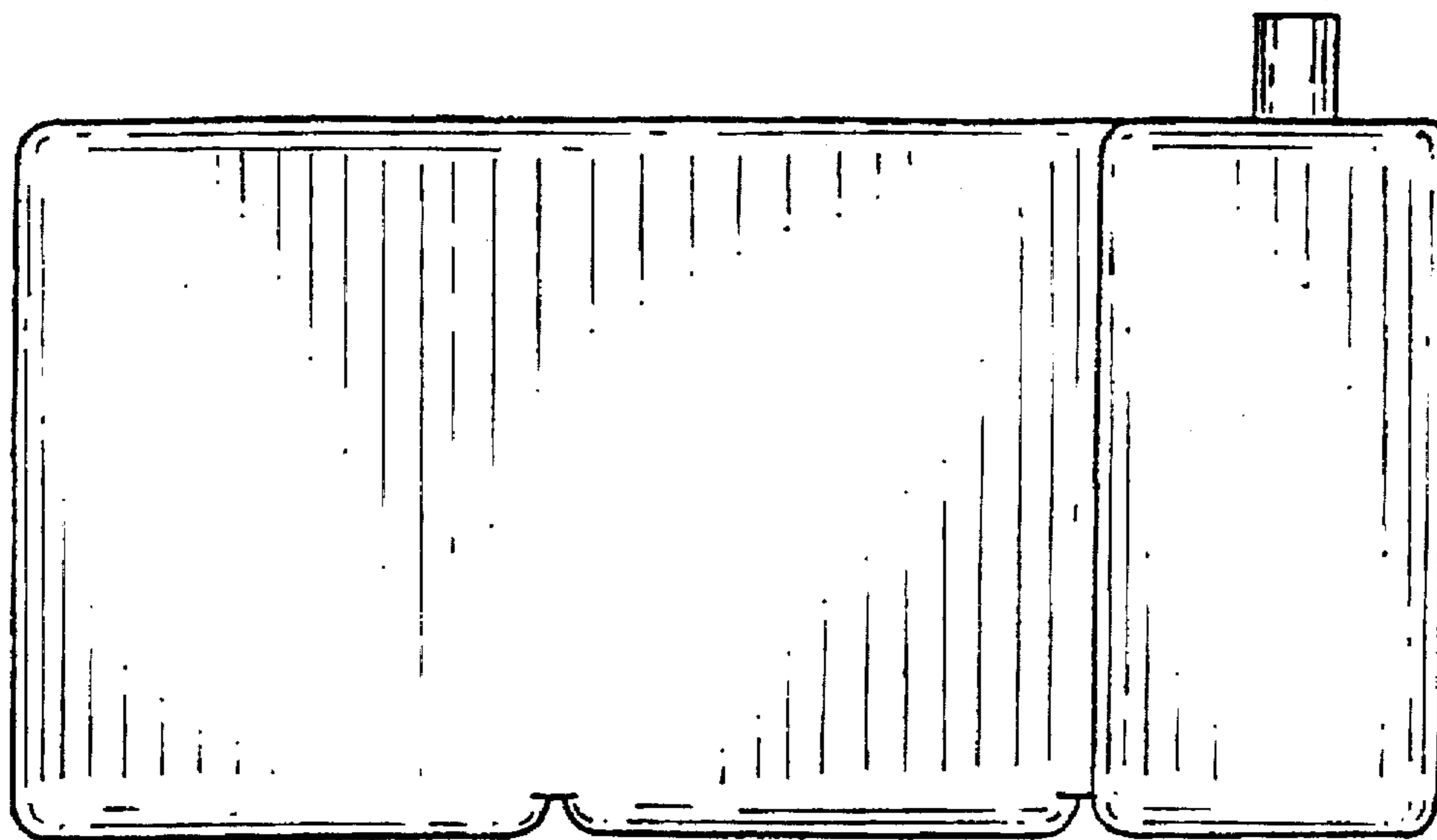


FIG. 6

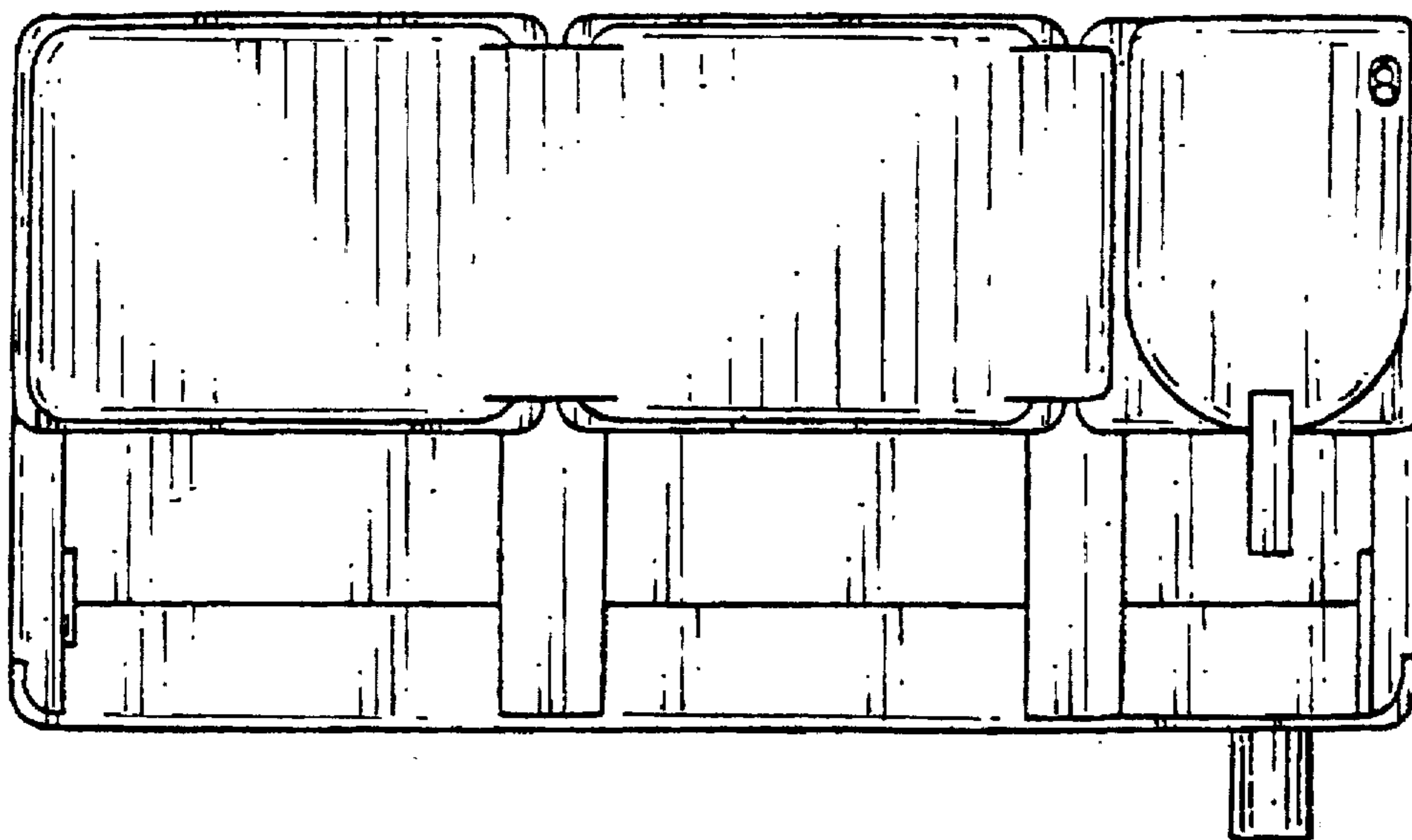


FIG. 7

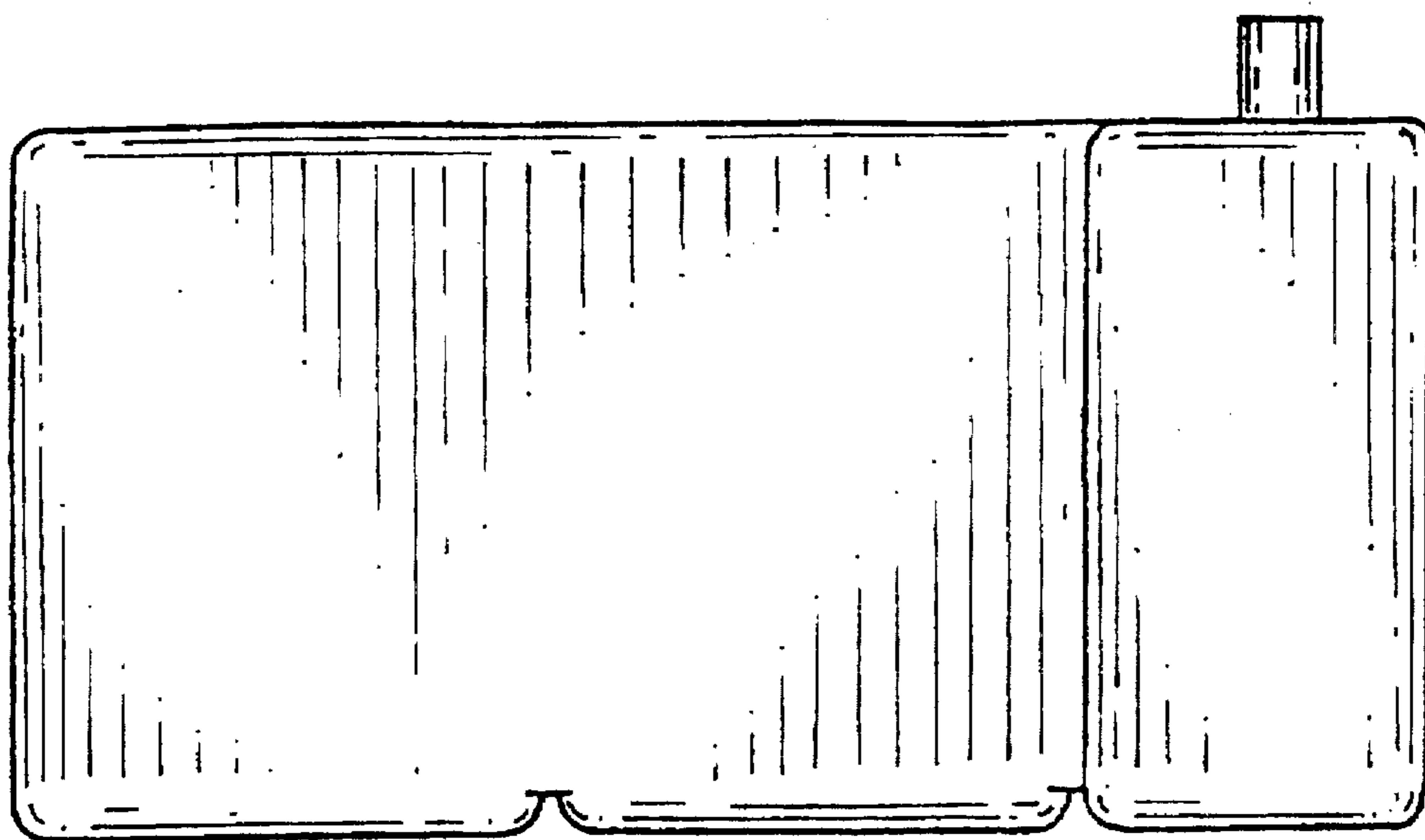


FIG. 6

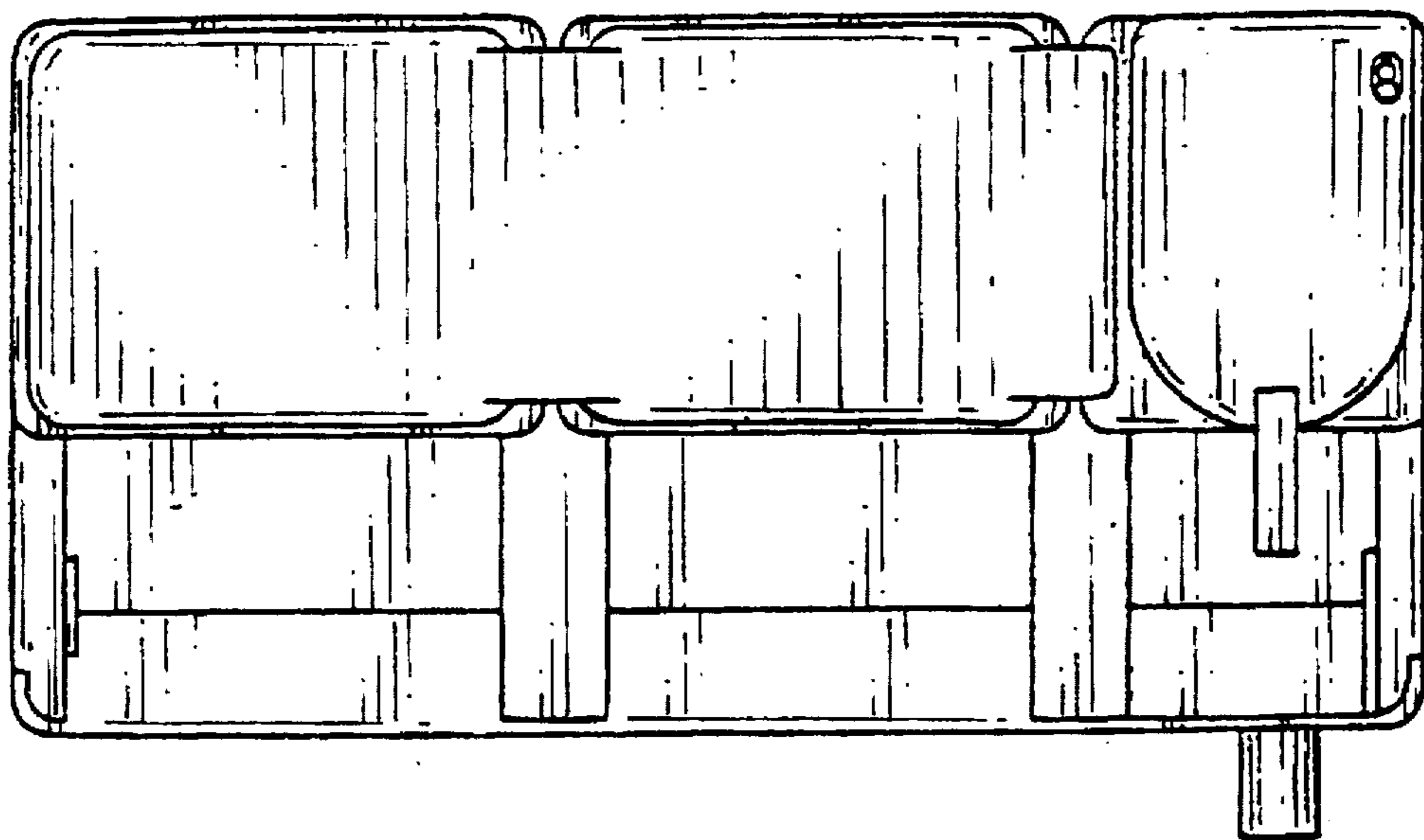


FIG. 7