



US00D383825S

United States Patent [19] Rhodes

[11] Patent Number: **Des. 383,825**

[45] Date of Patent: ****Sep. 16, 1997**

[54] **GOLF TOOL**

[76] Inventor: **Jordan Rhodes**, 69 Maple Dr., New Hyde Park, N.Y. 11040

[**] Term: **14 Years**

[21] Appl. No.: **53,863**

[22] Filed: **May 1, 1996**

[51] LOC (6) Cl. **21-02**

[52] U.S. Cl. **D21/234**

[58] Field of Search **D21/234, 208; D8/13; 473/408, 406, 285, 286**

5,393,052	2/1995	Kennedy	473/406 X
5,401,019	3/1995	Wissman et al. .	
5,409,212	4/1995	Arnett .	
5,419,551	5/1995	Hoyt et al. .	
5,529,299	6/1996	Bellagamba	473/406 X

Primary Examiner—Ted Shooman
Assistant Examiner—Cheri Cohen
Attorney, Agent, or Firm—Richard C. Litman

[57] **CLAIM**

The ornamental design for a golf tool, as shown and described.

DESCRIPTION

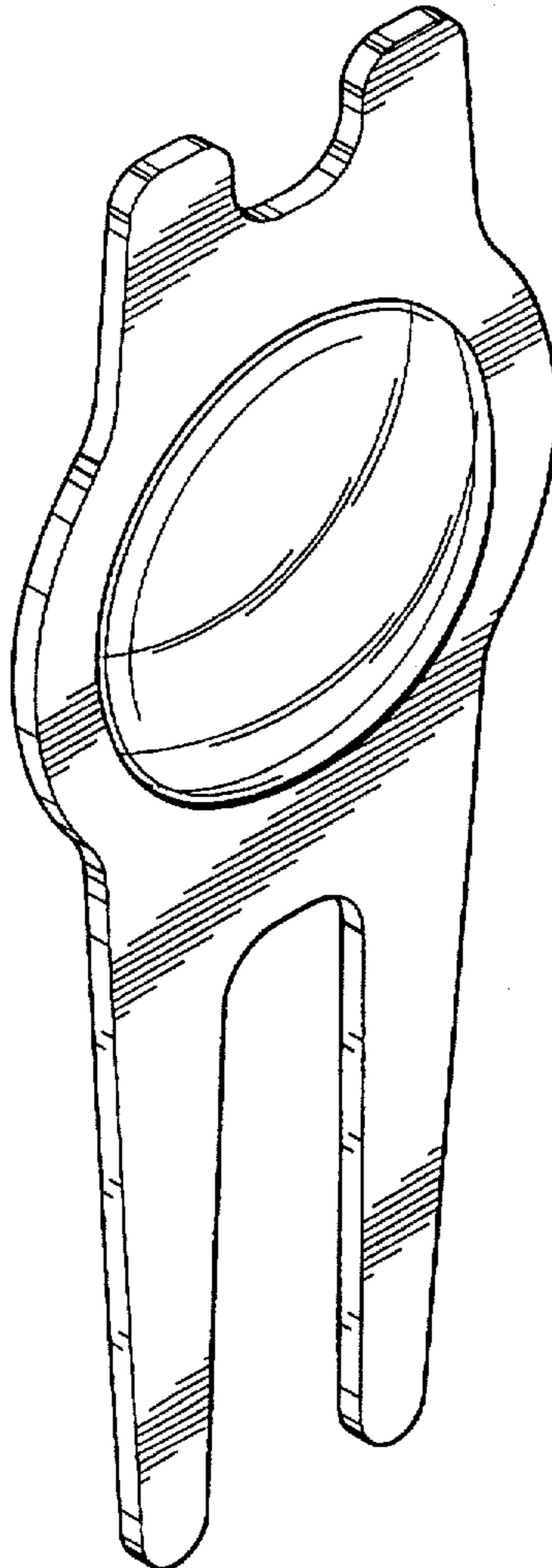
FIG. 1 is a perspective view of a golf tool showing my new design;
FIG. 2 is a top plan view thereof;
FIG. 3 is a front elevational view thereof;
FIG. 4 is a right side elevational view with the left side being a mirror image thereof;
FIG. 5 is a rear elevational view thereof; and,
FIG. 6 is a bottom view thereof.

[56] **References Cited**

U.S. PATENT DOCUMENTS

D. 225,756	1/1973	Stephens	D21/234
4,386,774	6/1983	Buckman	473/406
4,805,680	2/1989	Ueno .	
5,150,261	9/1992	Tsai .	
5,160,134	11/1992	McDonald .	
5,224,700	7/1993	Rosen .	
5,305,999	4/1994	Tate	473/406
5,358,297	10/1994	Coleman .	

1 Claim, 2 Drawing Sheets



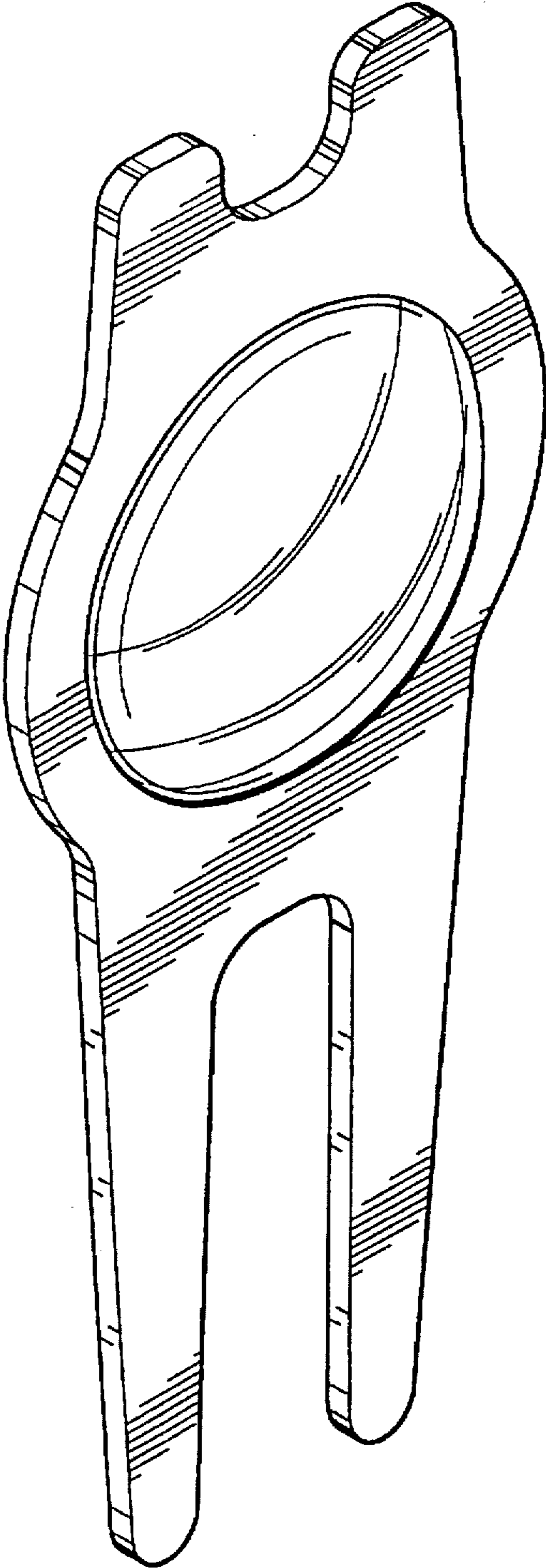


Fig. 1

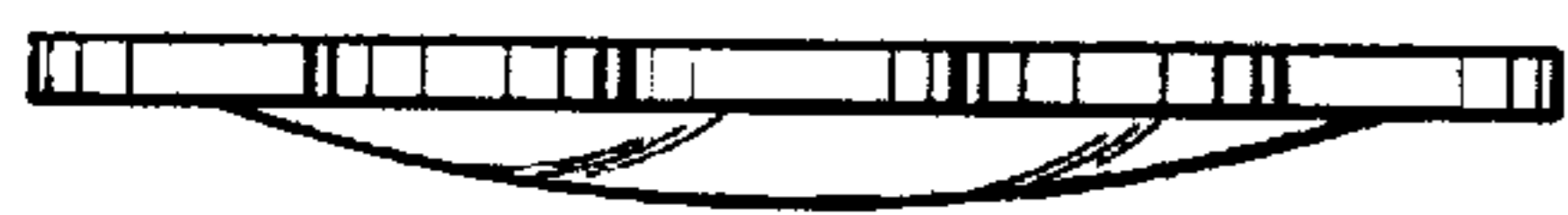


Fig. 2

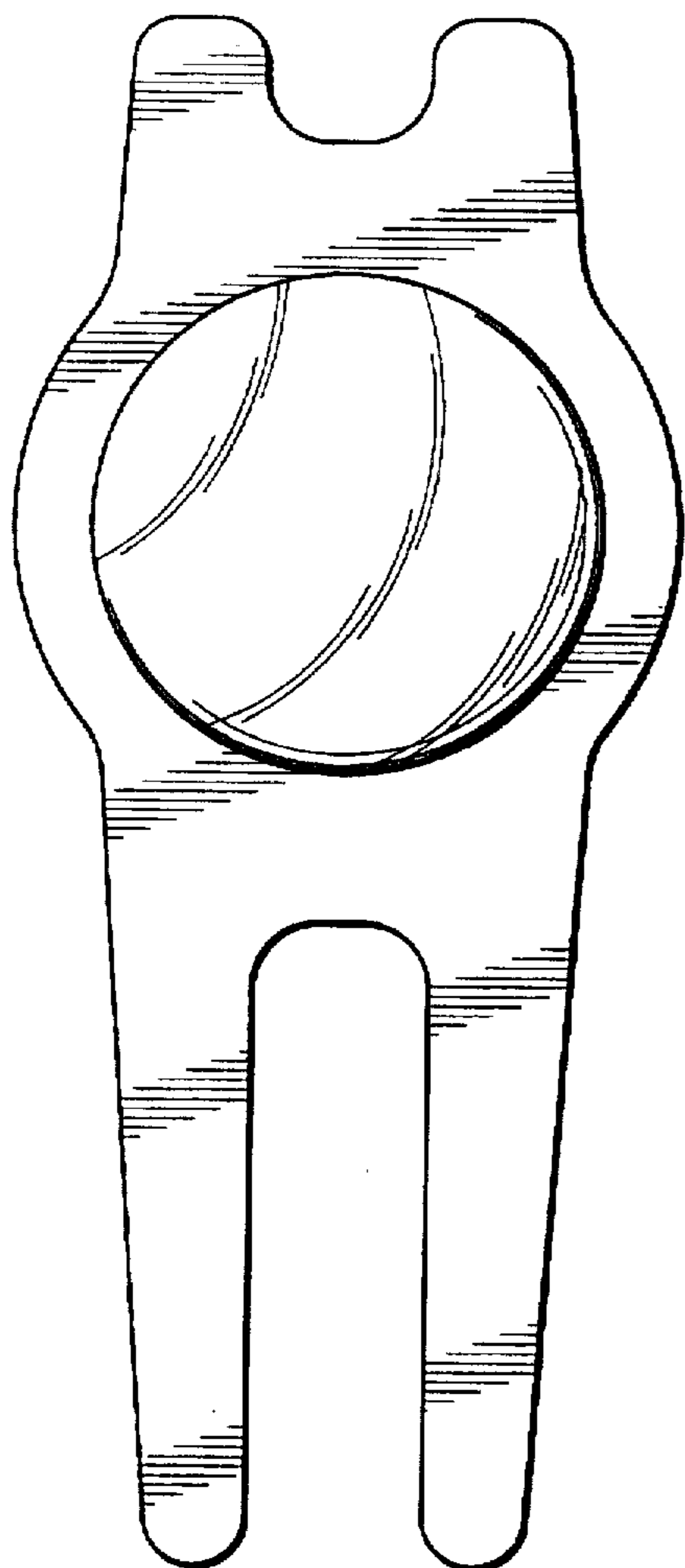


Fig. 3



Fig. 4

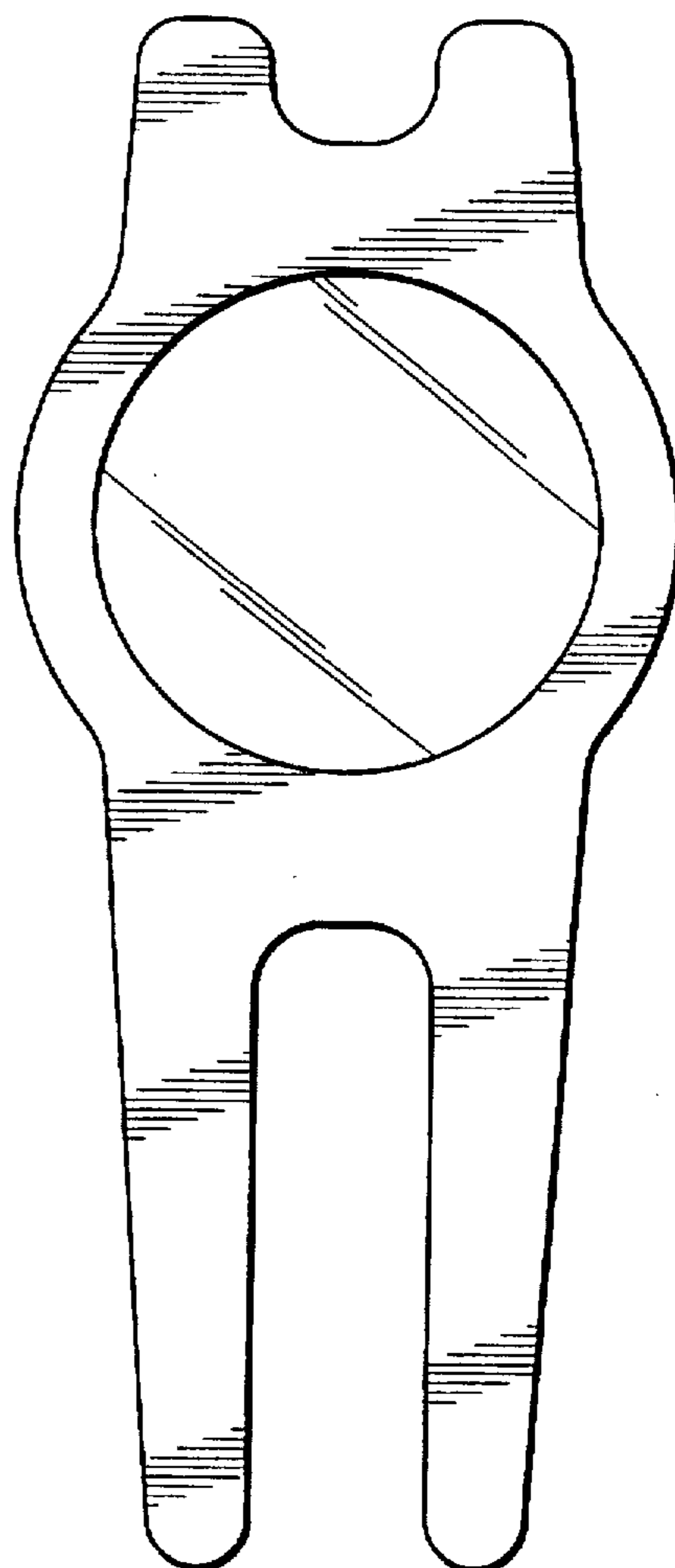


Fig. 5



Fig. 6