



US00D383820S

United States Patent [19]
Watanabe

[11] **Patent Number: Des. 383,820**

[45] **Date of Patent: **Sep. 16, 1997**

[54] **GOLF CLUB HEAD**

[75] **Inventor: Tomomi Watanabe, Osaka, Japan**

[73] **Assignee: Mizuno Corporation, Osaka, Japan**

[**] **Term: 14 Years**

[21] **Appl. No.: 55,359**

[22] **Filed: Jun. 4, 1996**

[30] **Foreign Application Priority Data**

Dec. 6, 1995 [JP] Japan 7-37000

[51] **LOC (6) Cl. 21-02**

[52] **U.S. Cl. D21/220**

[58] **Field of Search D21/220; 473/282-292,
473/350**

[56] **References Cited**

U.S. PATENT DOCUMENTS

D. 314,803	2/1991	Antonious	D21/220
D. 319,857	9/1991	Antonious	D21/220
D. 319,858	9/1991	Antonious	.	
D. 328,116	7/1992	Antonious	D21/220
D. 328,322	7/1992	Antonious	.	
D. 328,482	8/1992	Antonious	.	
D. 330,241	10/1992	Antonious	.	
D. 331,088	11/1992	Antonious	.	
D. 331,272	11/1992	Antonious	D21/220

D. 332,478	1/1993	Antonious	D21/220
D. 353,644	12/1994	Hirsch et al.	D21/220
D. 360,923	8/1995	Antonious	D21/220
4,826,172	5/1989	Antonious	.	
4,907,806	3/1990	Antonious	.	
5,014,993	5/1991	Antonious	.	
5,048,834	9/1991	Gorman	.	
5,074,563	12/1991	Gorman	.	
5,242,167	9/1993	Antonious	.	
5,290,032	3/1994	Fenton et al.	.	
5,328,184	7/1994	Antonious	.	
5,447,307	9/1995	Antonious	473/350

Primary Examiner—Ted Shooman
Assistant Examiner—Mitchell I. Siegel
Attorney, Agent, or Firm—Keck, Mahin & Cate

[57] **CLAIM**

The ornamental design for a golf club head, as shown and described.

DESCRIPTION

FIG. 1 is a rear perspective view of a golf club head embodied in accordance with my design;
FIG. 2 is a front view of the golf club head;
FIG. 3 is a rear view thereof;
FIG. 4 is a top plan view thereof;
FIG. 5 is a bottom plan view thereof;
FIG. 6 is a left side view thereof; and,
FIG. 7 is a right side view thereof.

1 Claim, 2 Drawing Sheets

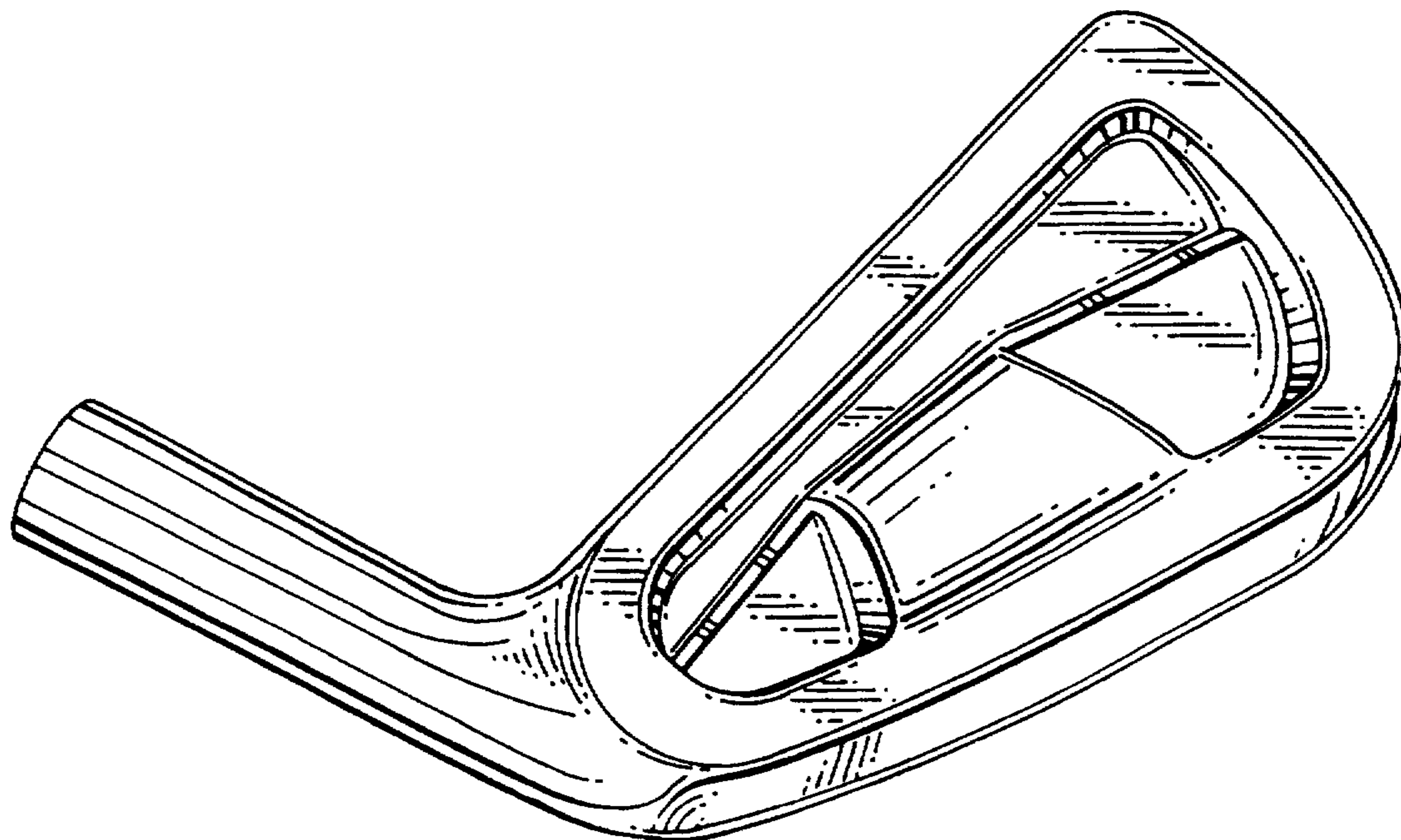


FIG. 1

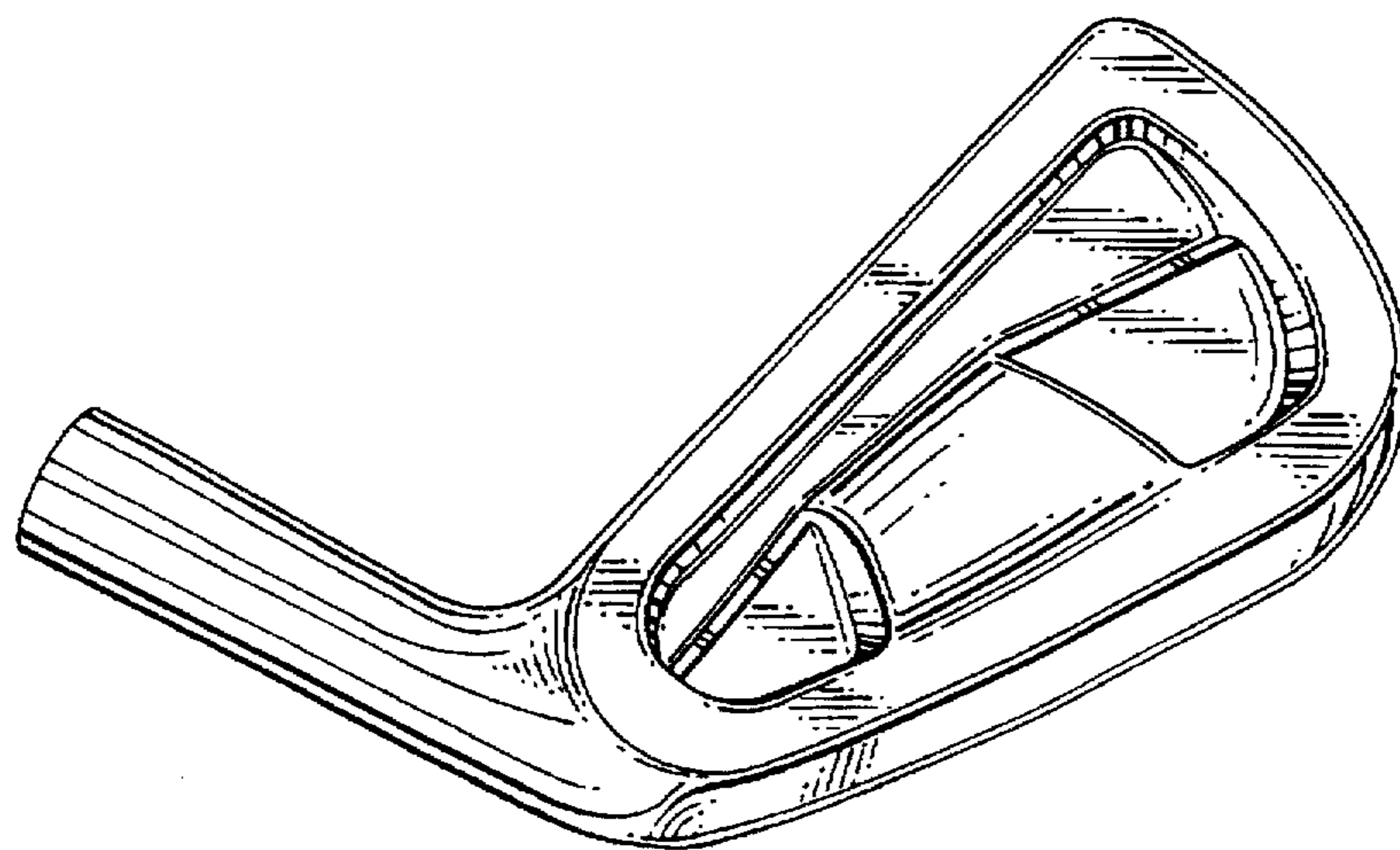


FIG. 2

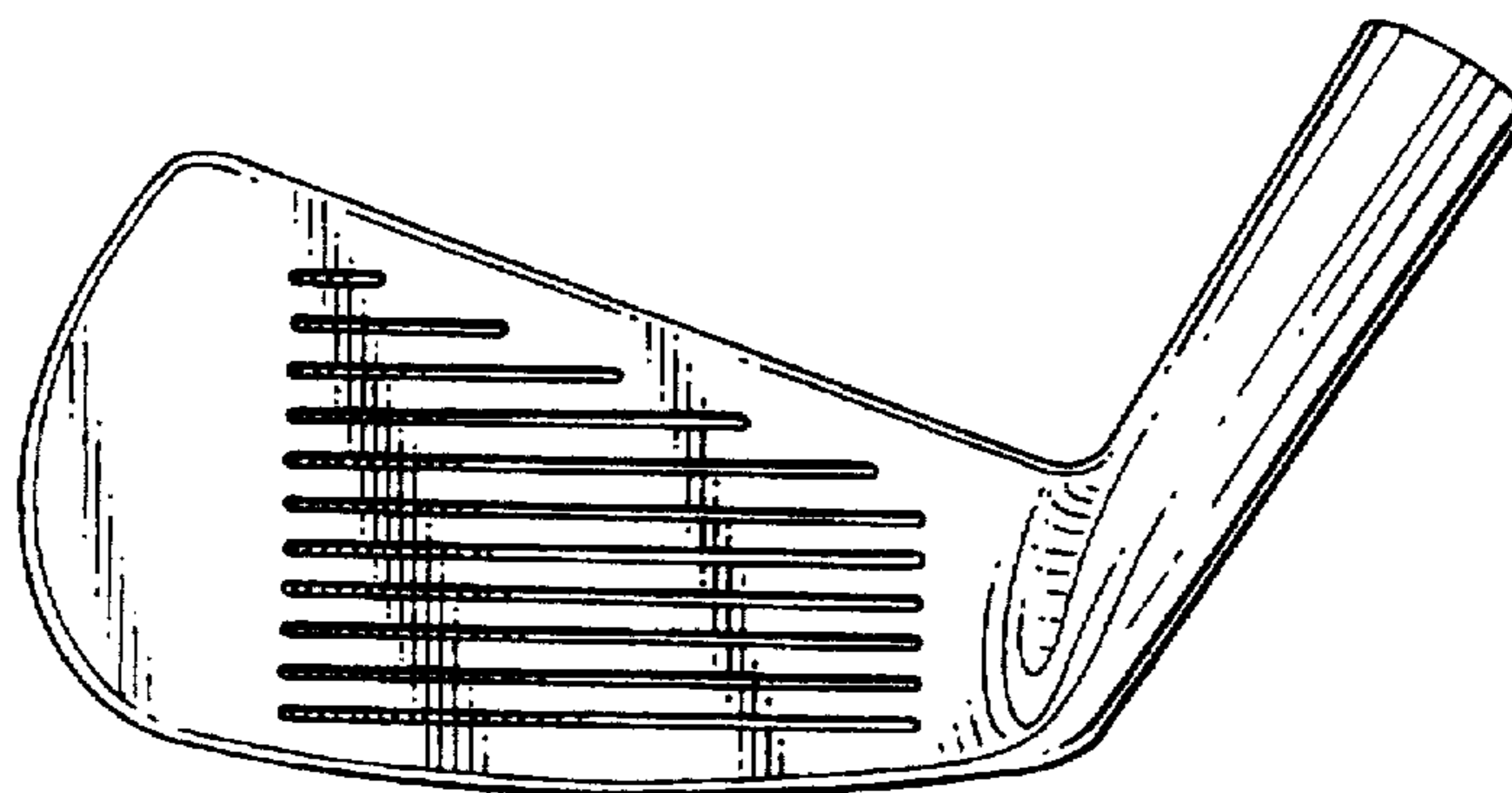


FIG. 3

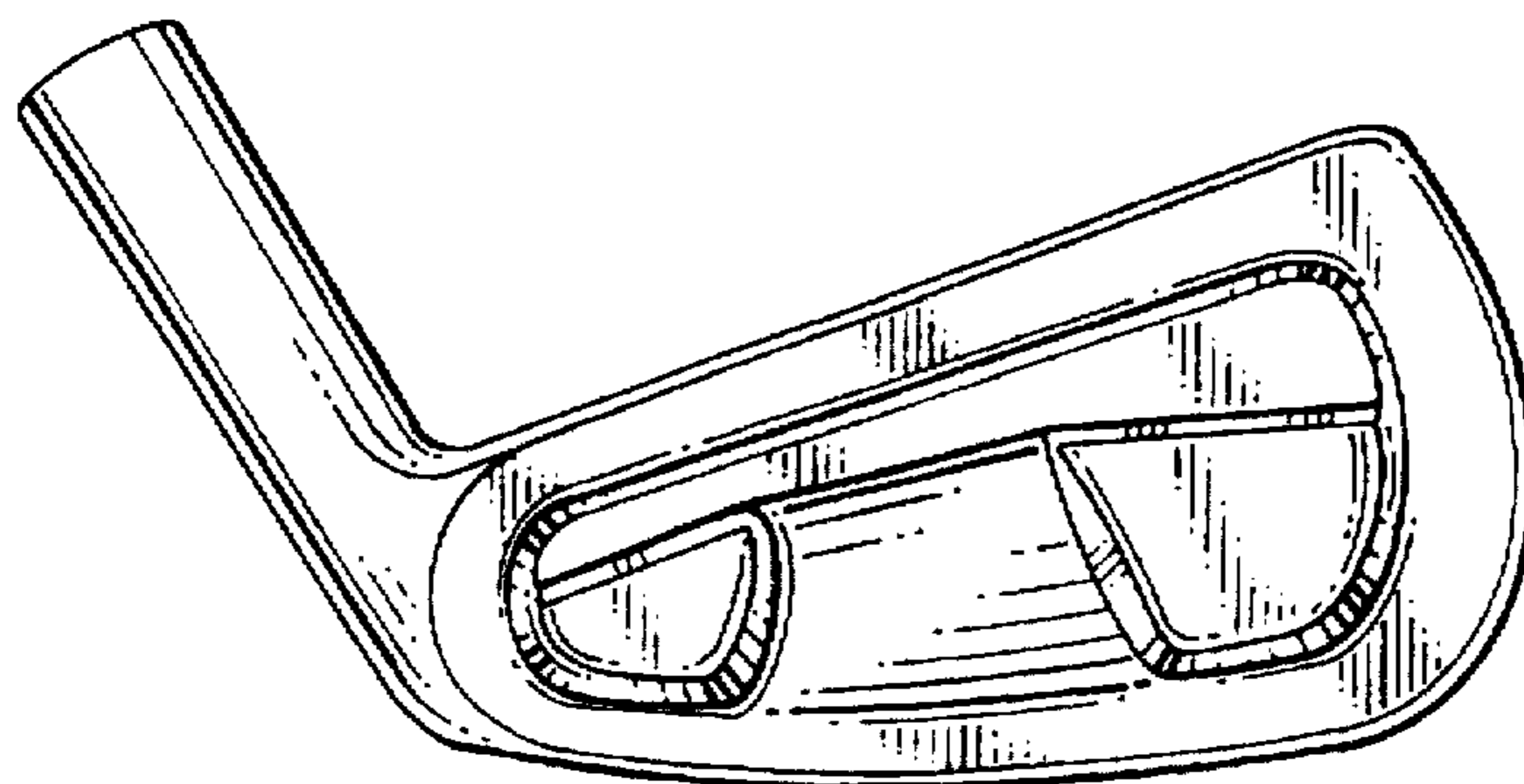


FIG. 4



FIG. 5

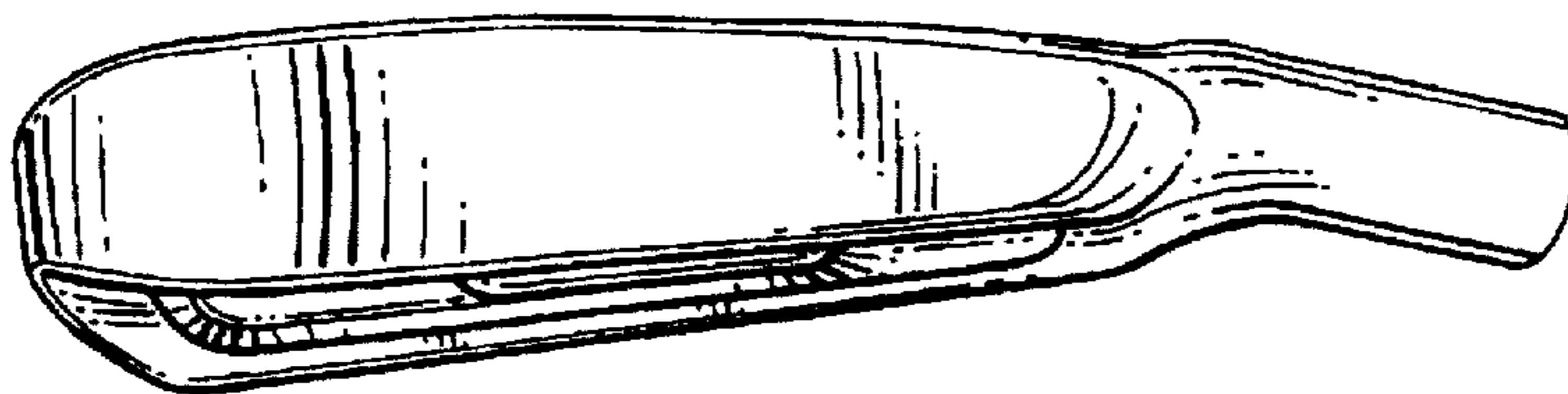


FIG. 6

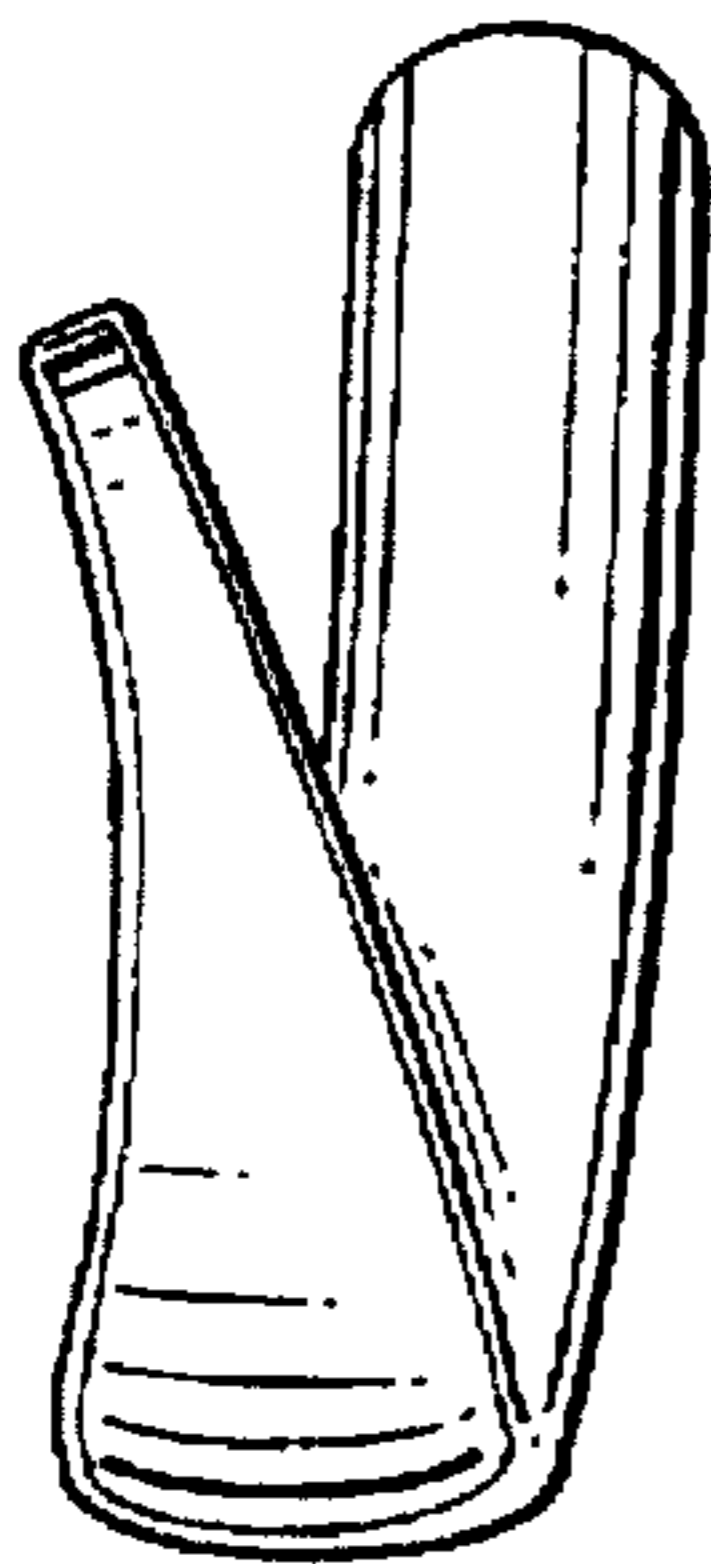


FIG. 7

