



US00D383814S

United States Patent [19] Ward

[11] Patent Number: Des. 383,814

[45] Date of Patent: **Sep. 16, 1997

[54] LIFE TONER
[76] Inventor: Ken Ward, 1122 S. 2250 West, Salt Lake City, Utah 84104
[**] Term: 14 Years
[21] Appl. No.: 56,258
[22] Filed: Jun. 18, 1996

5,342,269	8/1994	Huang et al.	482/95
5,356,358	10/1994	Chen	482/96
5,370,594	12/1994	Grinblat	482/72
5,421,795	6/1995	Chen	482/72
5,429,568	7/1995	Chen	482/96
5,507,710	4/1996	Chen	482/72
5,512,027	4/1996	Chen	482/72
5,527,243	6/1996	Chen	482/72

[51] LOC (6) Cl. 21-02
[52] U.S. Cl. D21/195
[58] Field of Search D21/191, 194, D21/195; 482/51, 52, 62, 72, 73, 95, 96, 137

OTHER PUBLICATIONS

Best 1995-96 Catalog, p. 52 Cardio Glide Plus.

Primary Examiner—Sandra L. Morris
Attorney, Agent, or Firm—M. Reid Russell

[56] References Cited

[57] CLAIM

The ornamental design for a life toner, as shown and described.

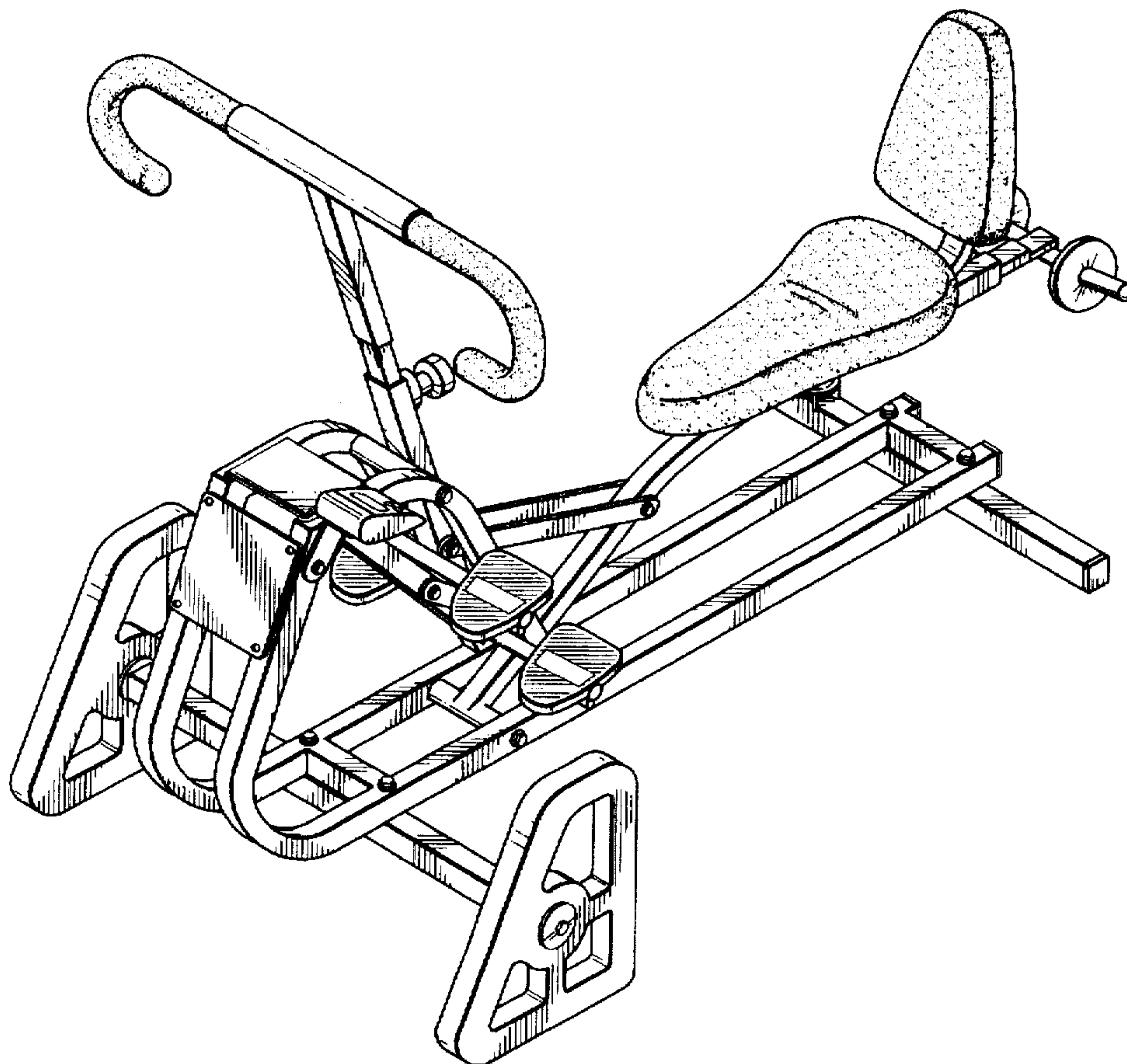
U.S. PATENT DOCUMENTS

DESCRIPTION

D. 344,112	2/1994	Smith	D21/195
3,446,503	5/1969	Lawton	272/79
4,300,760	11/1981	Bobroff	272/120
4,377,281	3/1983	Jesernig et al.	272/120
4,616,825	10/1986	Anderson	272/134
4,743,010	5/1988	Geraci	272/72
4,850,587	7/1989	Lin	272/72
5,058,881	10/1991	Measom	272/69
5,072,929	12/1991	Peterson et al.	272/72
5,122,105	6/1992	Engel et al.	482/72
5,330,405	7/1994	Habing et al.	482/96

FIG. 1 is a perspective view taken from the front left side of the invention on a life toner;
FIG. 2 is a left side elevation view thereof;
FIG. 3 is a front elevation view thereof;
FIG. 4 is a rear elevation view thereof;
FIG. 5 is a right side elevation view thereof;
FIG. 6 is a top plan view thereof; and,
FIG. 7 is a bottom plan view thereof.

1 Claim, 6 Drawing Sheets



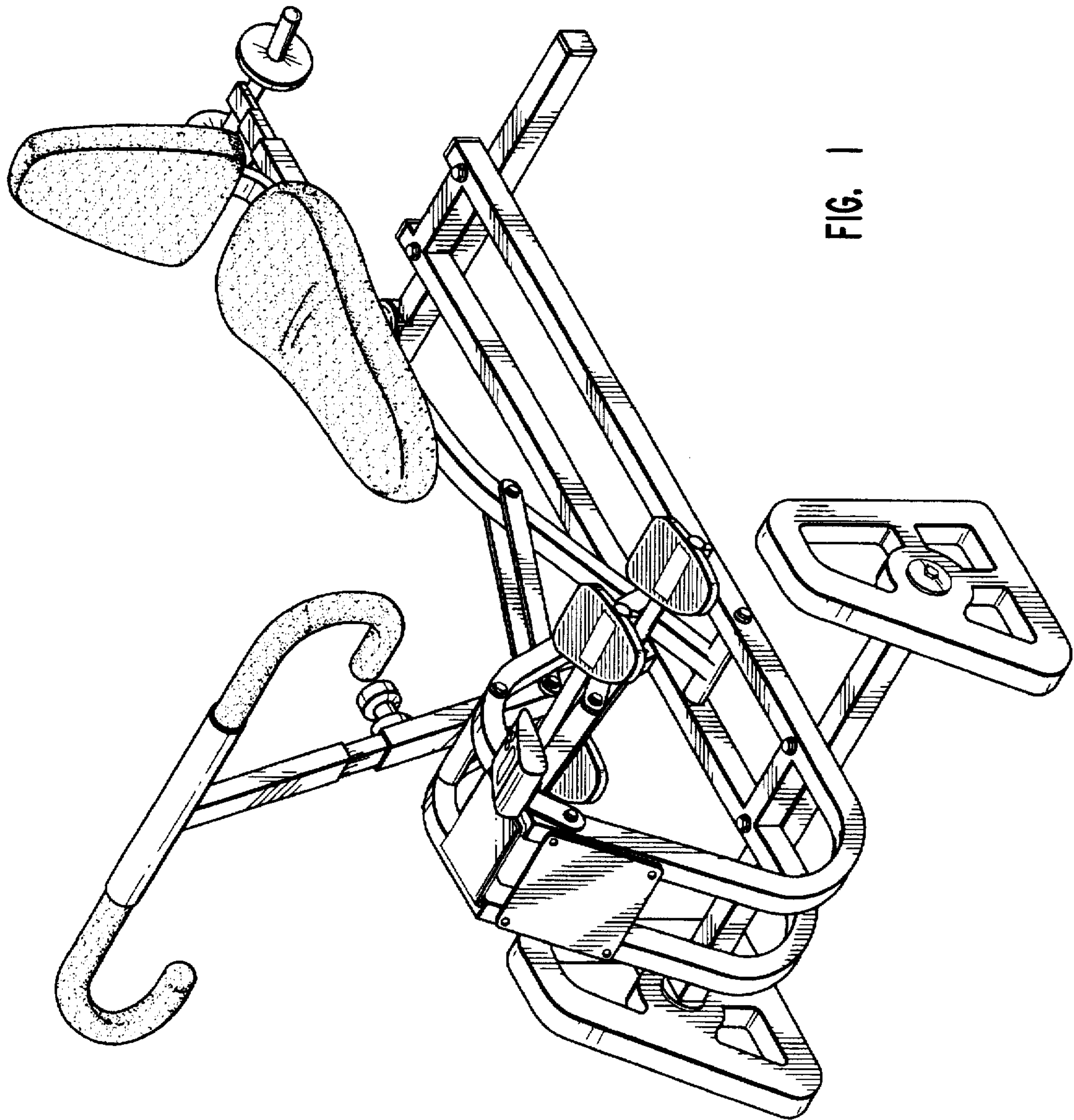


FIG. 1

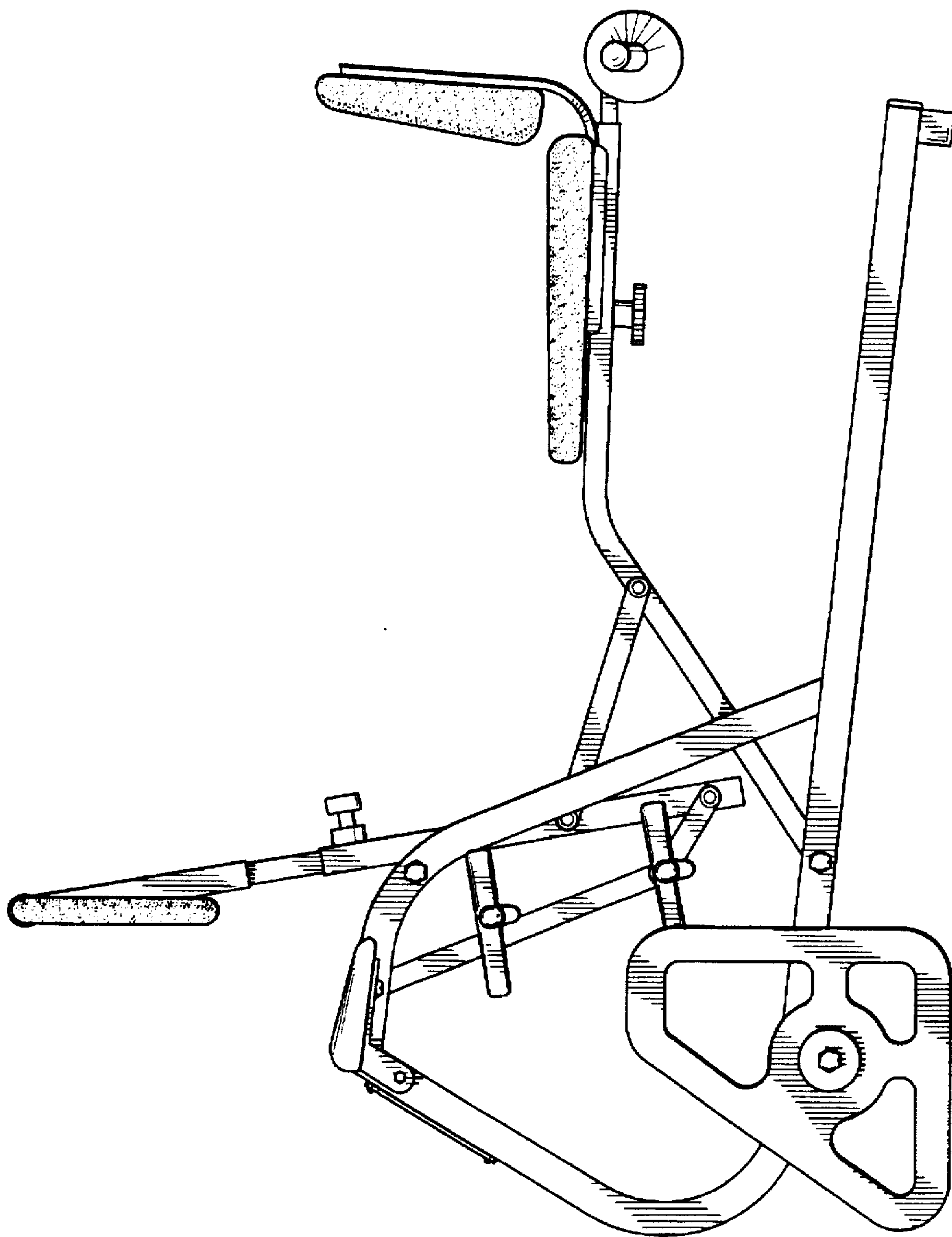


FIG. 2

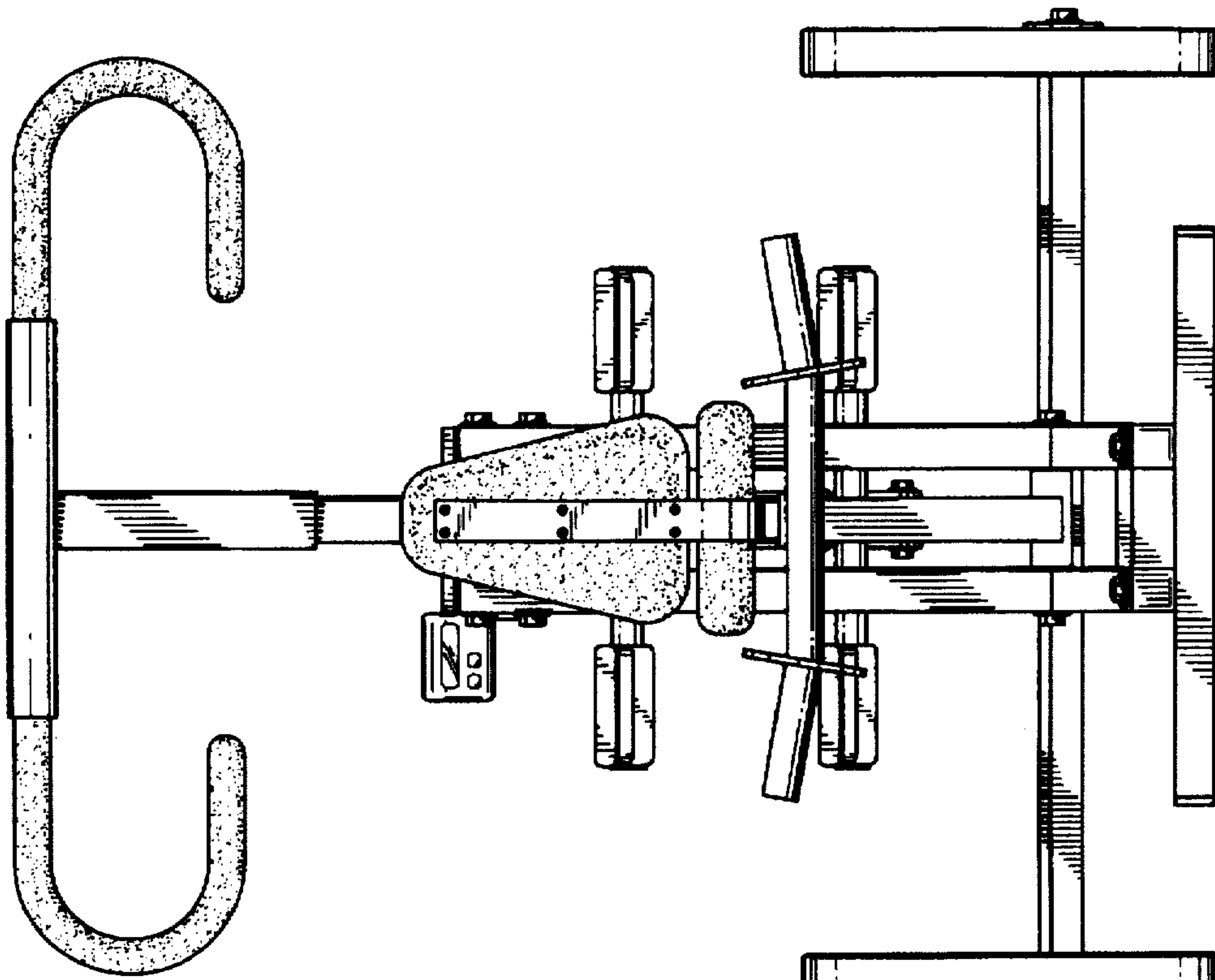


FIG. 3

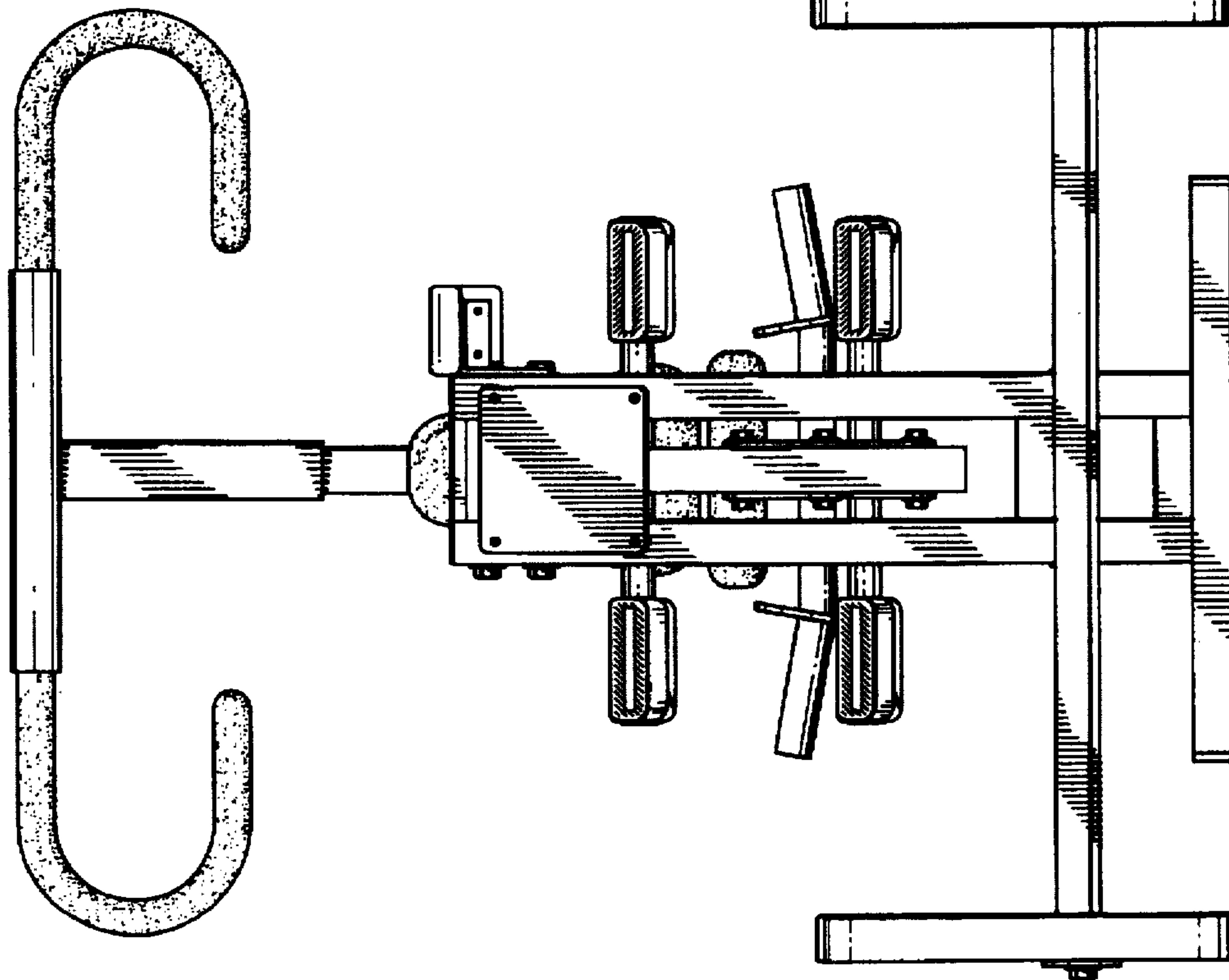


FIG. 4

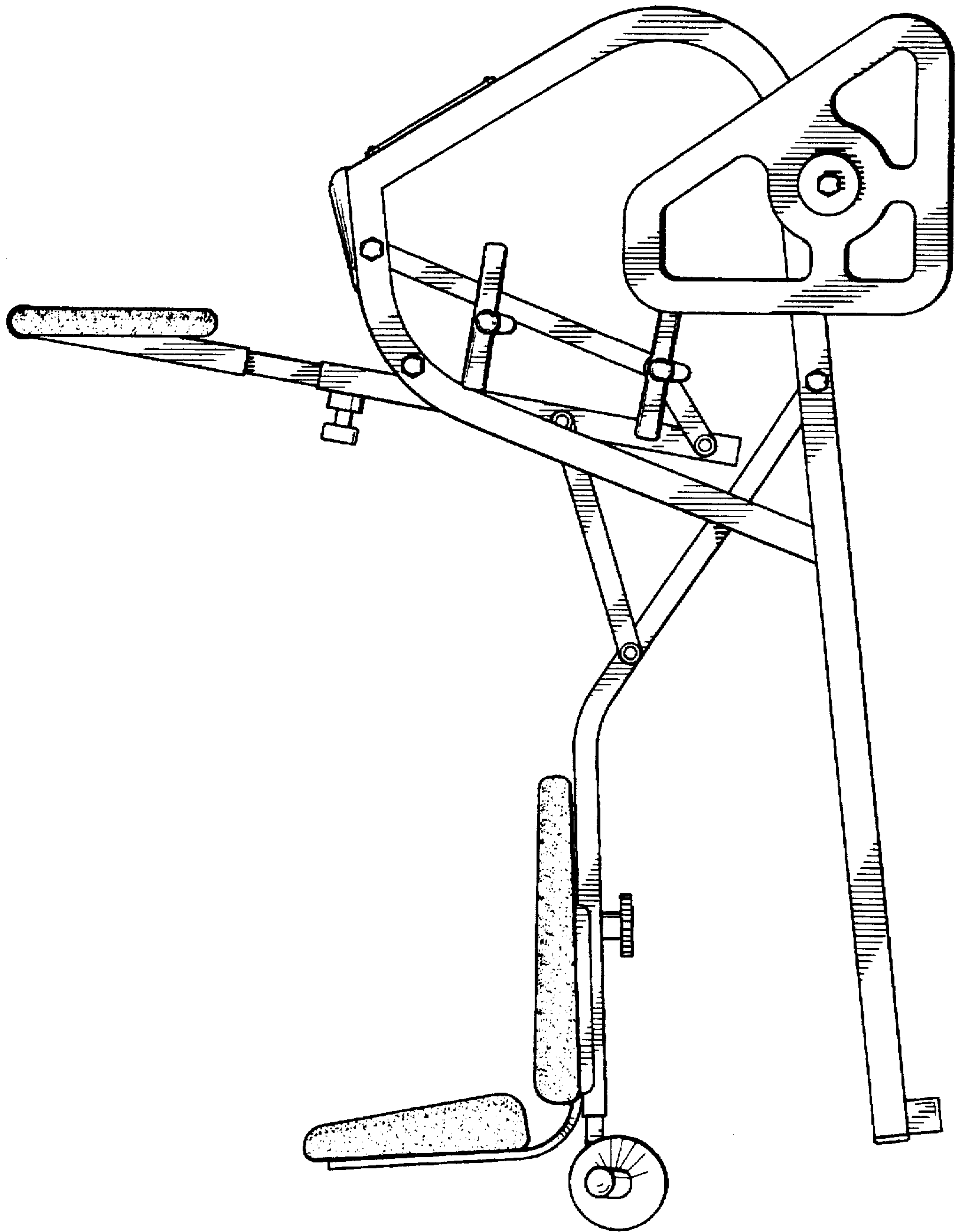


FIG. 5

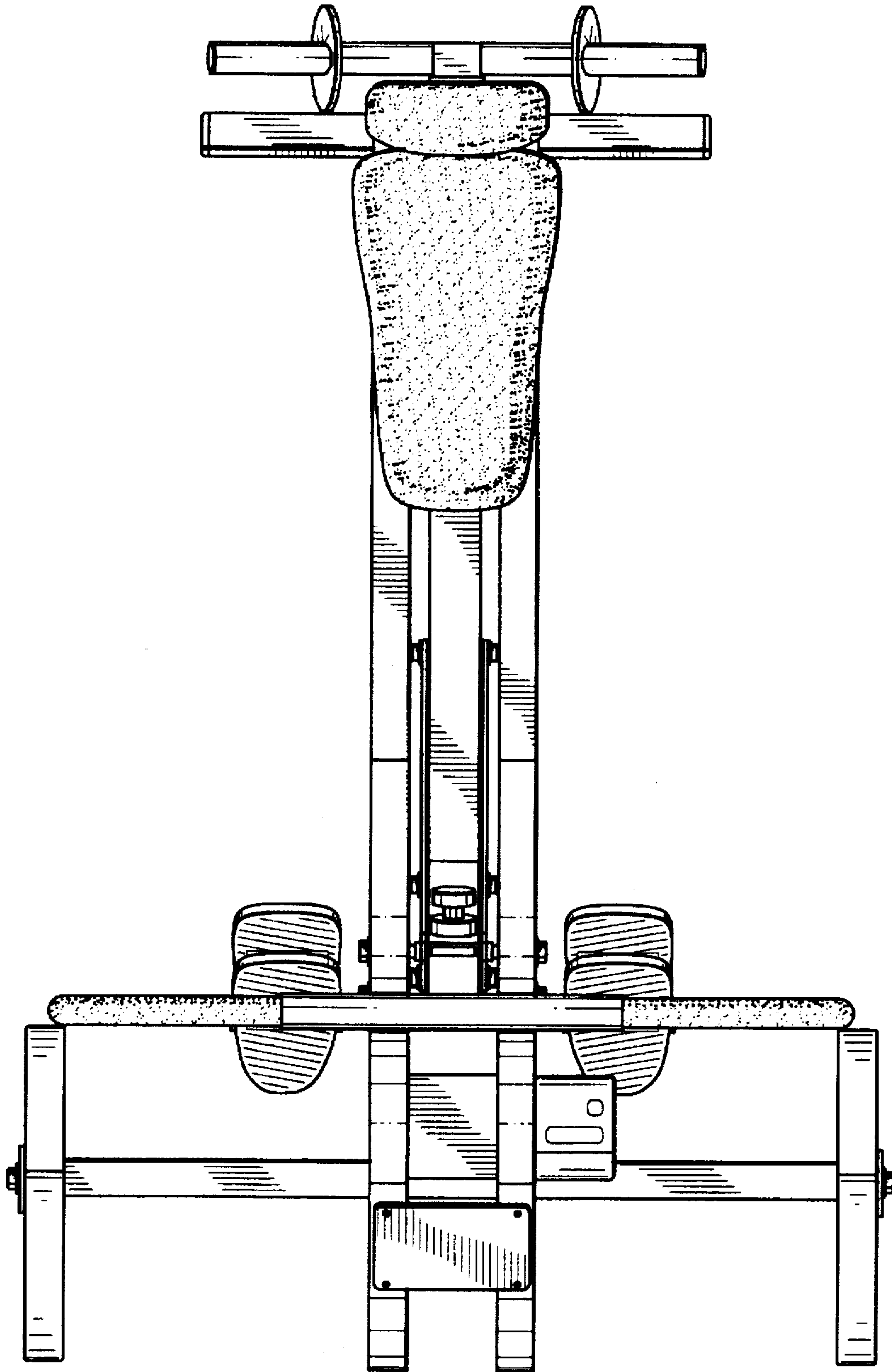


FIG. 6

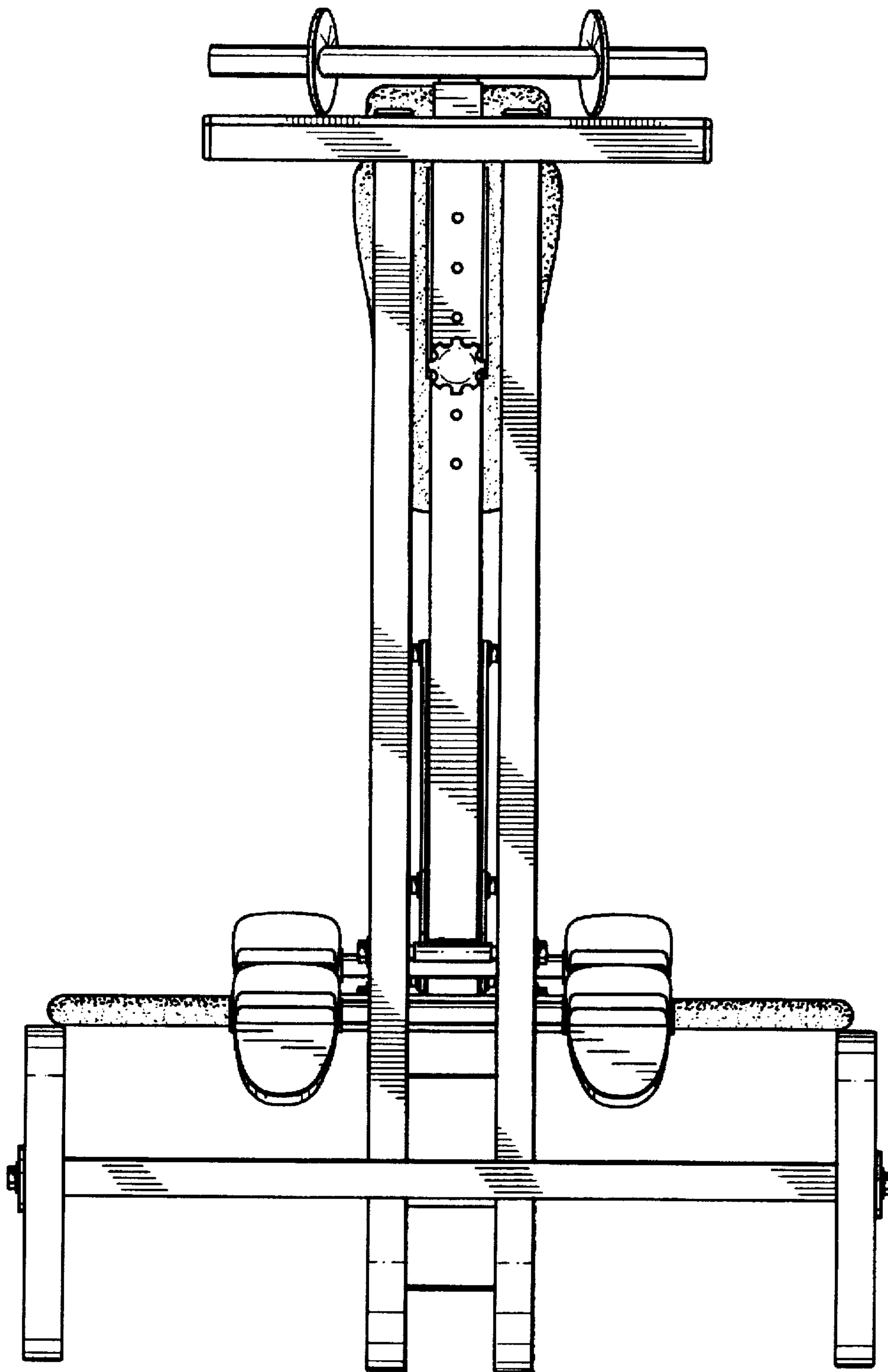


FIG. 7