

US00D383812S

United States Patent [19]

Lo et al.

[11] Patent Number: **Des. 383,812**

[45] Date of Patent: ****Sep. 16, 1997**

[54] **STRIDING EXERCISER**

[76] Inventors: **Chung-Yen Lo; Fu-Shun Chien**, both of No. 1-2, Lane 975, Chun-Jih Road, Tao-Yuan City, Taiwan

[**] Term: **14 Years**

[21] Appl. No.: **53,380**

[22] Filed: **Apr. 19, 1996**

[51] LOC (6) Cl. **21-02**

[52] U.S. Cl. **D21/192**

[58] Field of Search D21/191, 192, D21/195; 482/51, 52, 70-73, 118, 119

[56] **References Cited**

U.S. PATENT DOCUMENTS

D. 299,369	1/1989	Smith et al.	D21/191
D. 303,131	8/1989	Lo	D21/192
D. 328,934	8/1992	Friedebach	D21/191
D. 344,994	3/1994	Chi	D21/195

D. 358,436	5/1995	Piaget et al.	D21/192
5,299,996	4/1994	Chi	482/51
5,338,273	8/1994	Metcalf et al.	482/51

Primary Examiner—Sandra L. Morris
Attorney, Agent, or Firm—Morton J. Rosenberg; David I. Klein

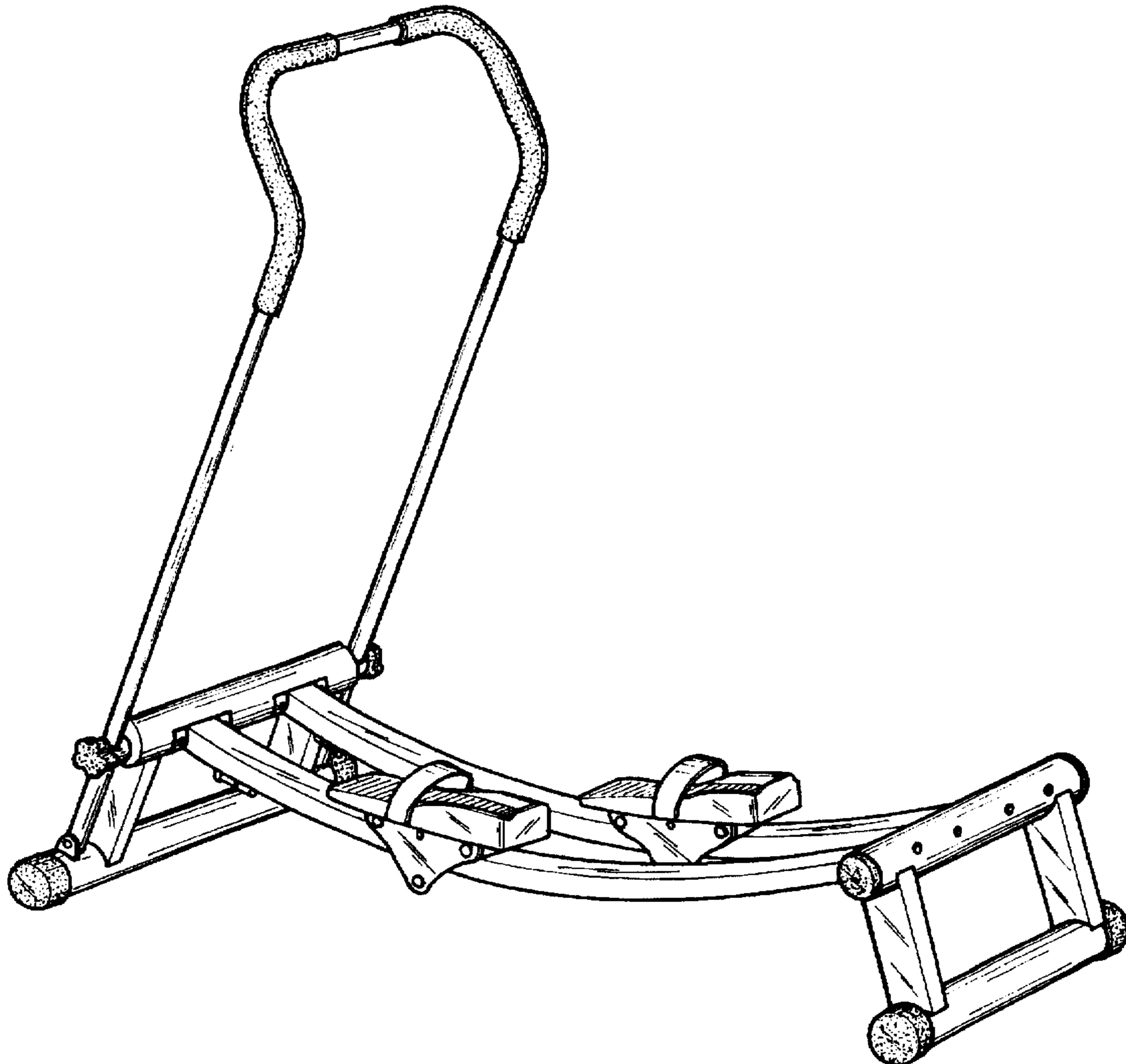
[57] **CLAIM**

The ornamental design for a striding exerciser, as shown and described.

DESCRIPTION

FIG. 1 is a perspective view of a striding exerciser; FIG. 2 is a front view thereof; FIG. 3 is a rear view thereof; FIG. 4 is a left side elevational view thereof; FIG. 5 is a right side elevational view thereof; FIG. 6 is a top plan view thereof, and, FIG. 7 is a bottom plan view thereof.

1 Claim, 7 Drawing Sheets



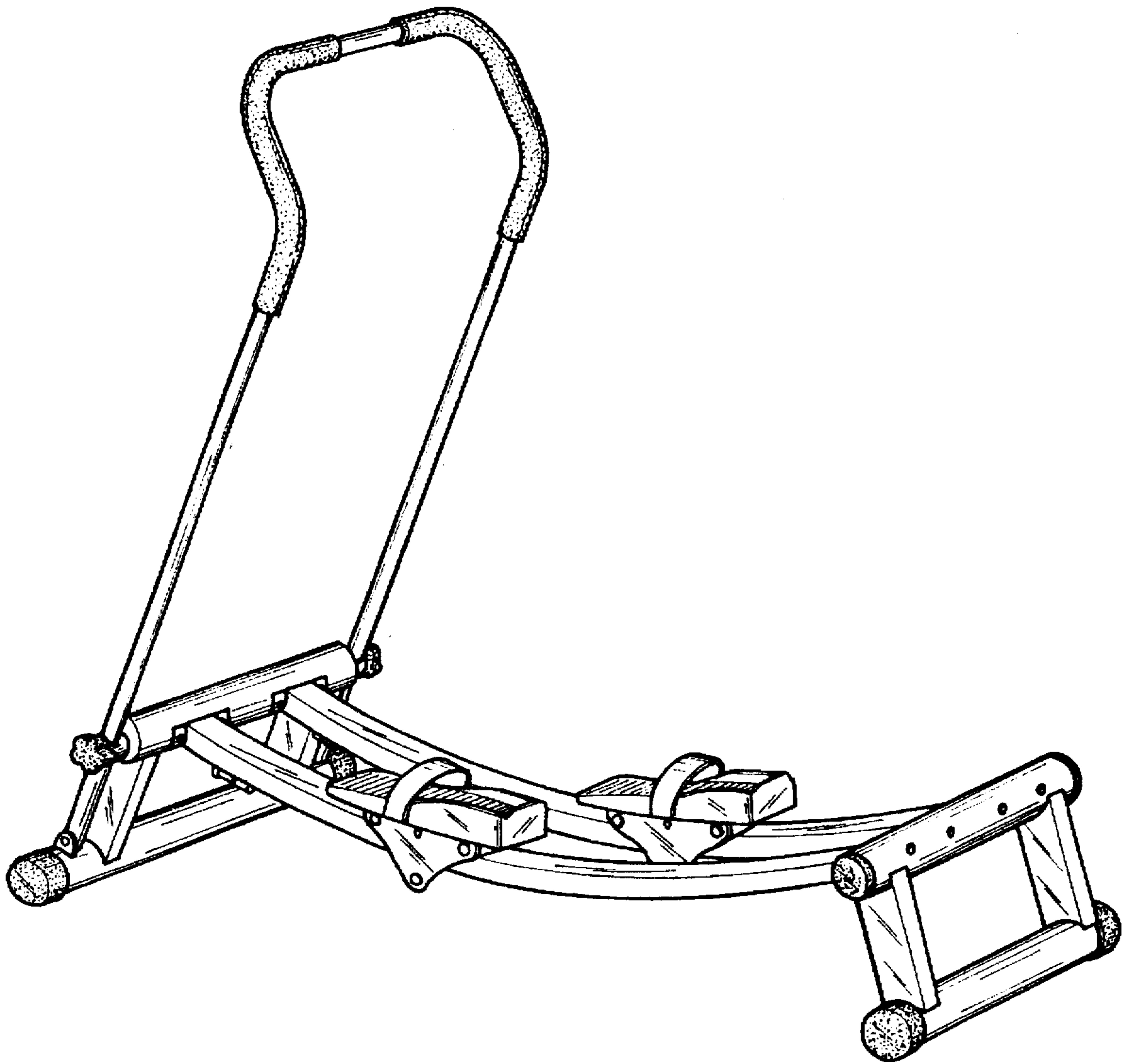


FIG. 1

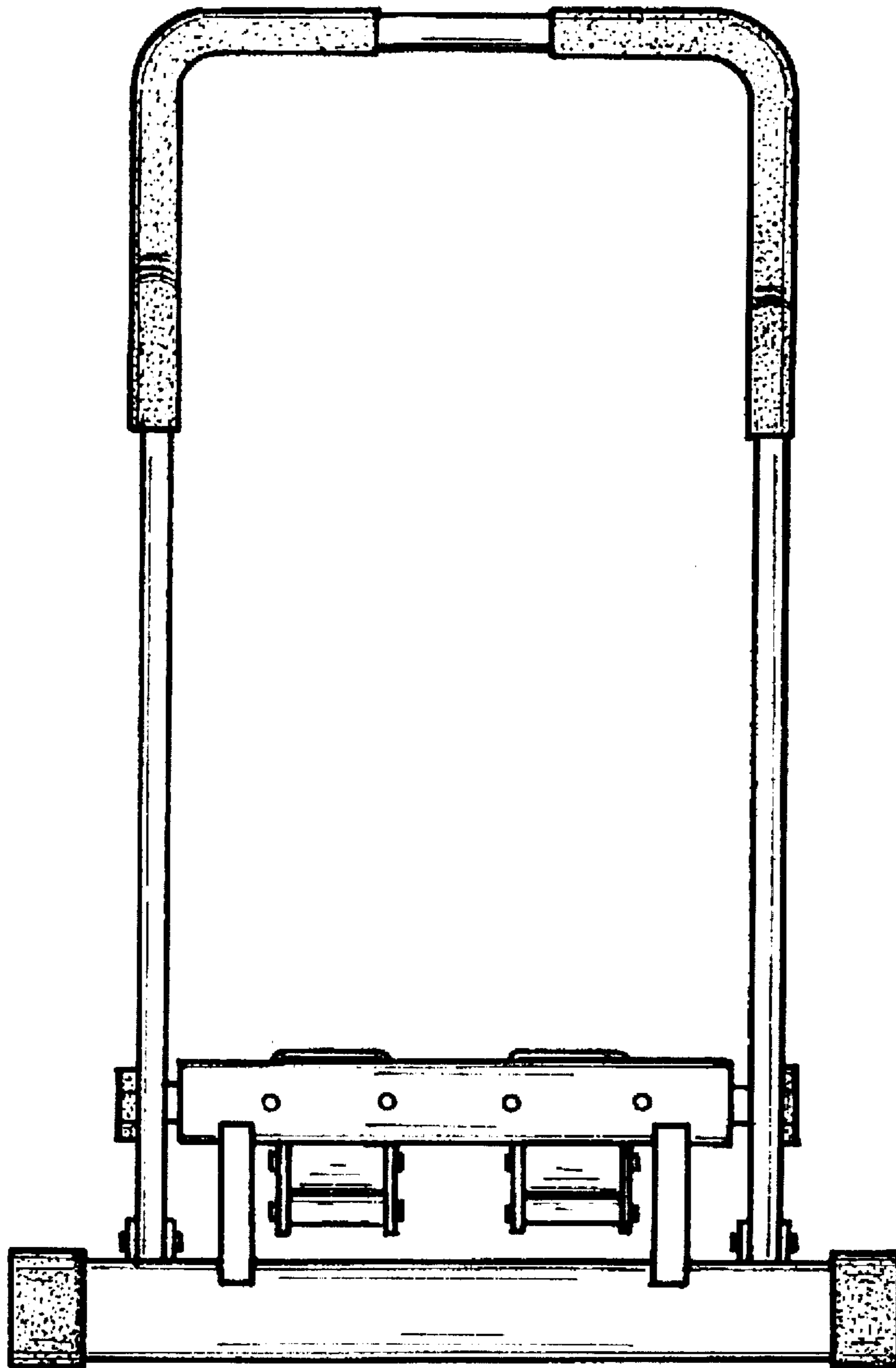


FIG. 2

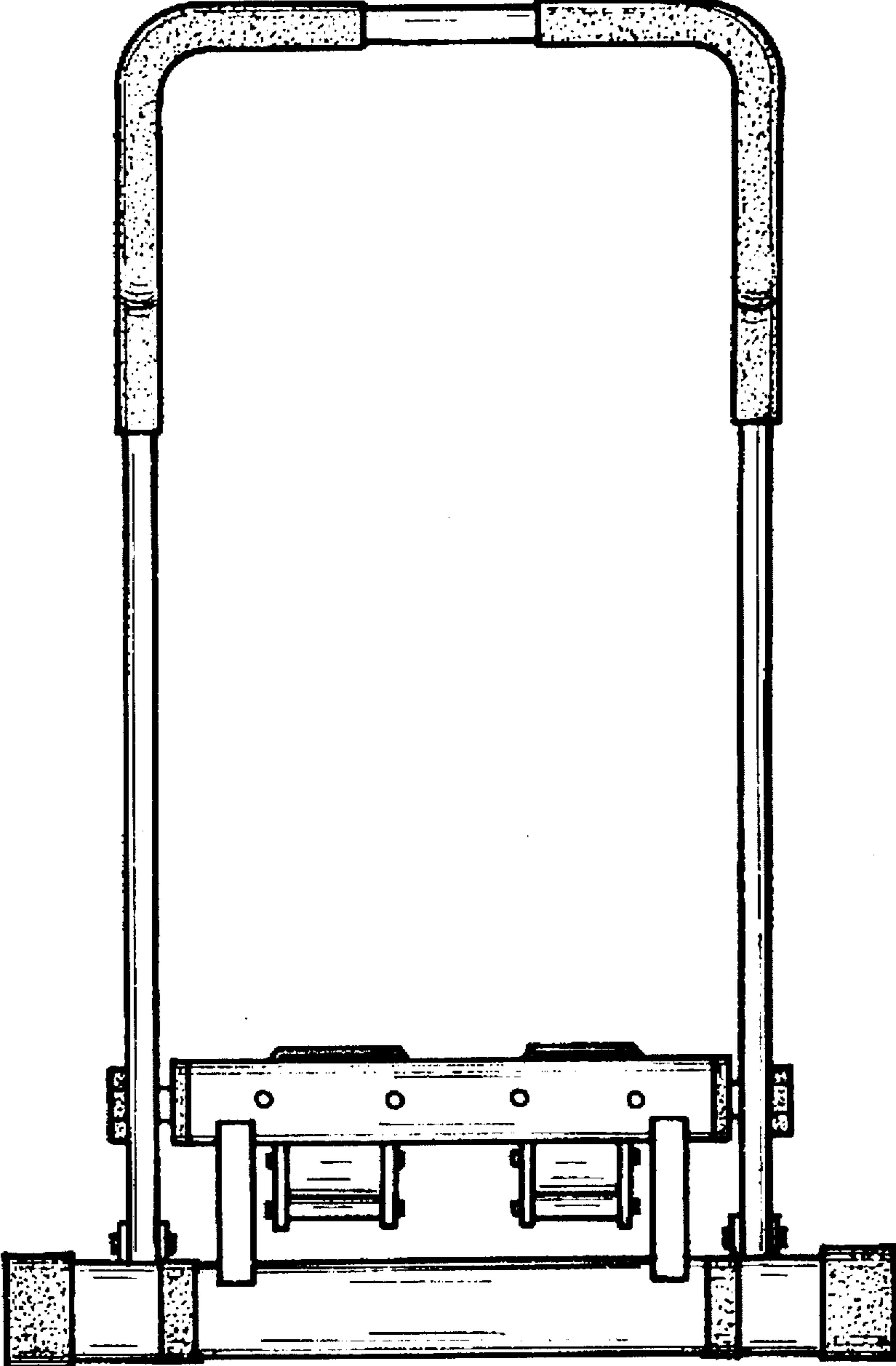


FIG. 3

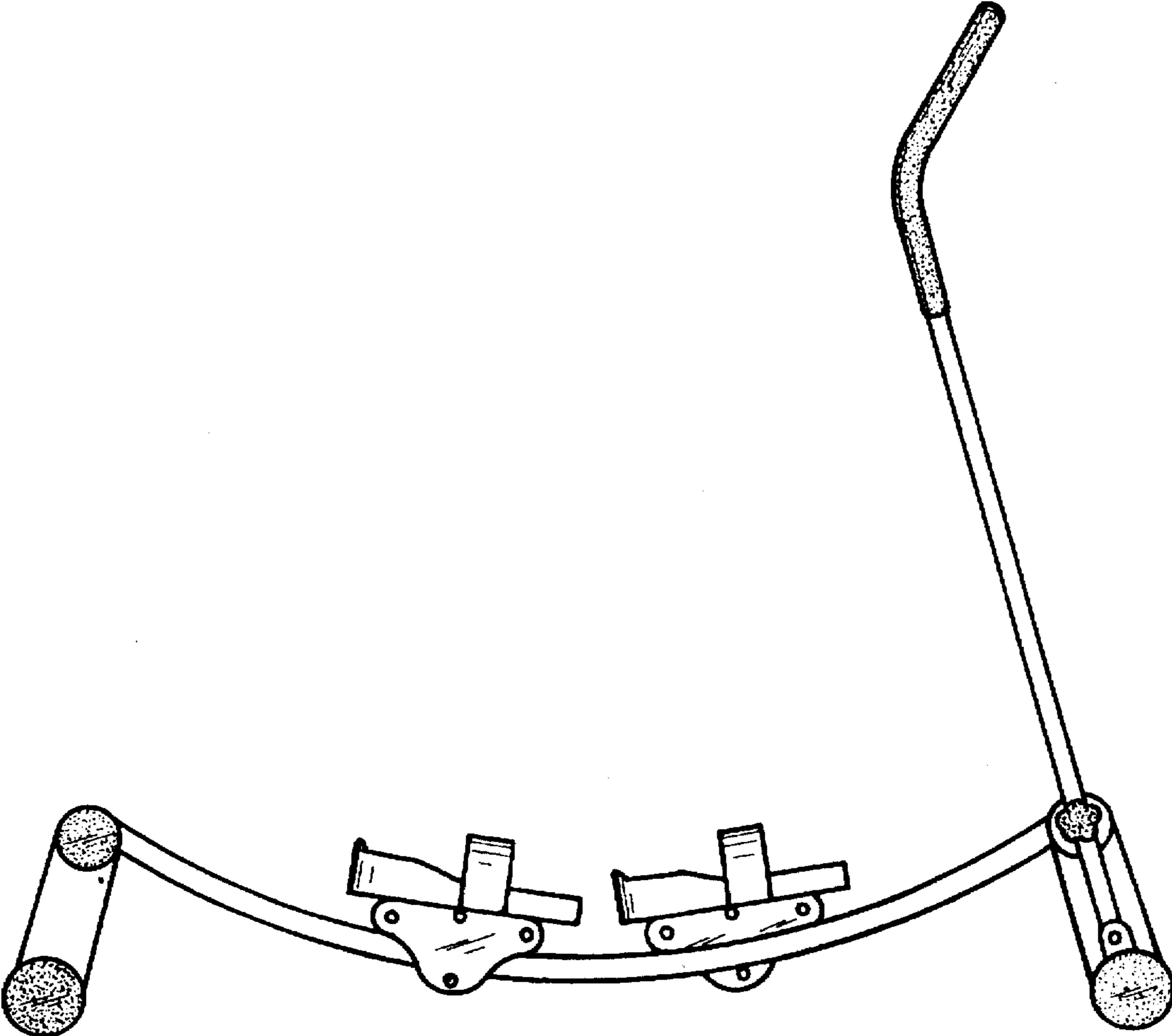


FIG. 4

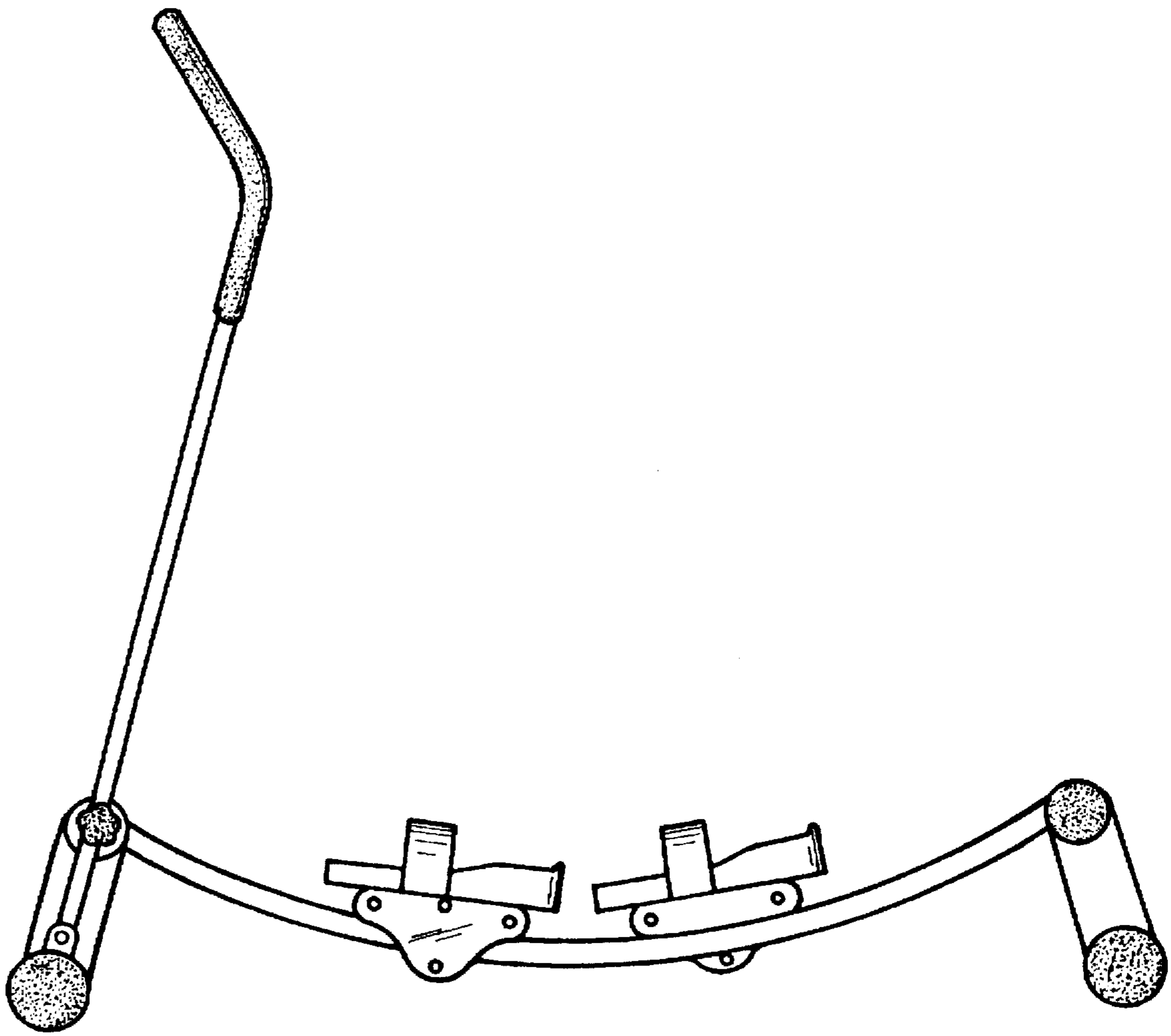


FIG. 5

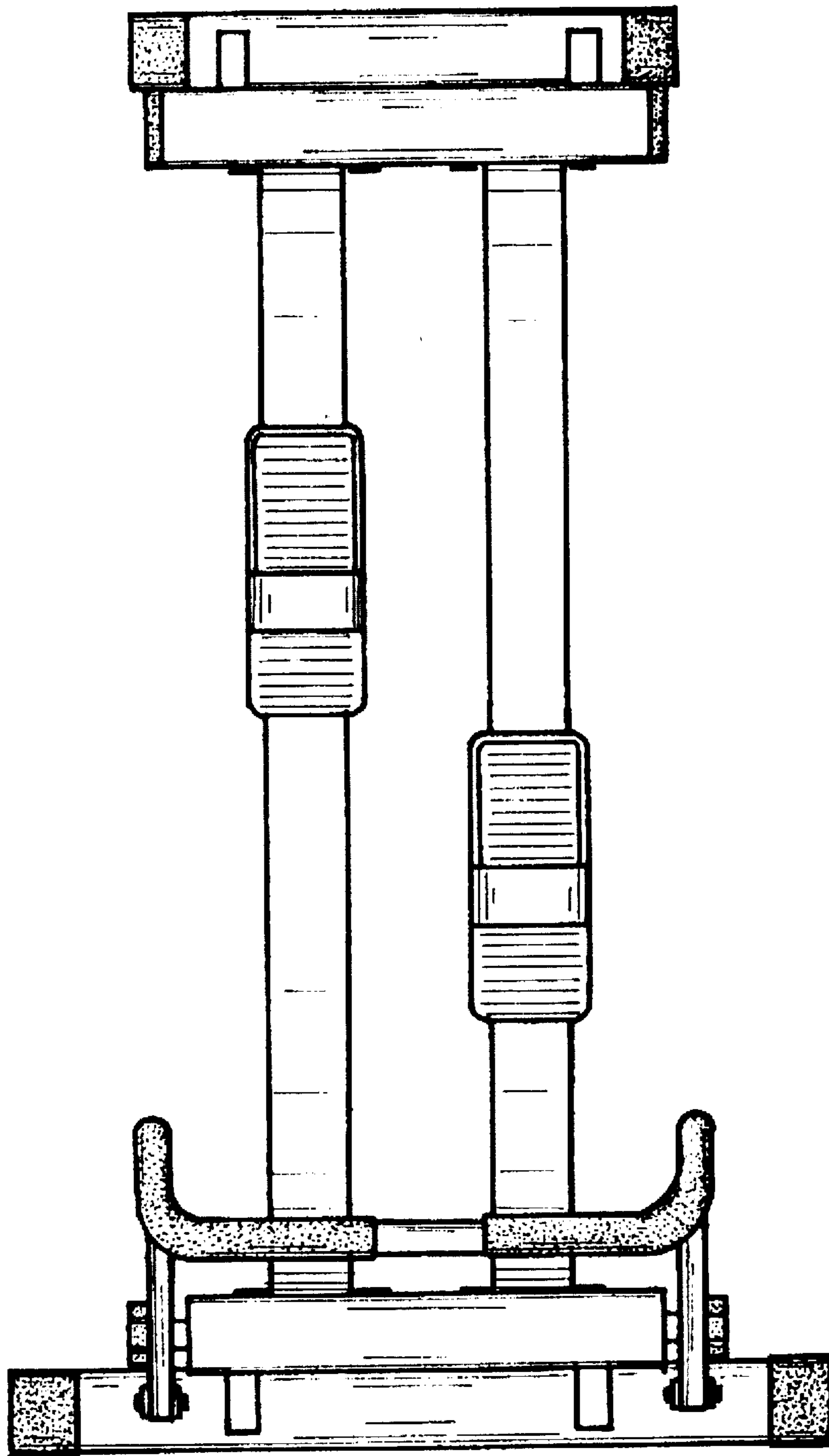


FIG. 6

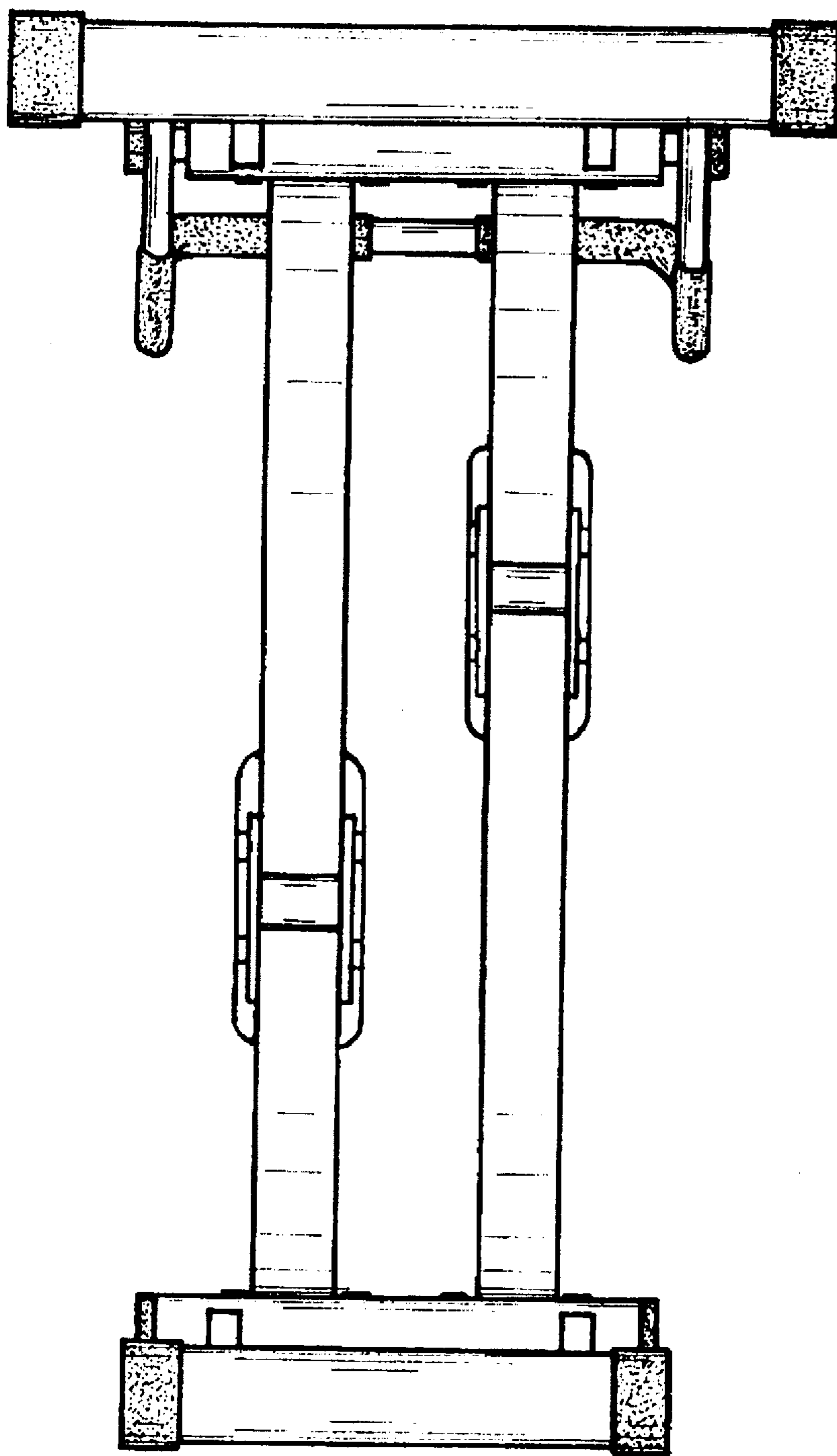


FIG. 7