



US00D383811S

# United States Patent [19] Ho

[11] Patent Number: **Des. 383,811**

[45] Date of Patent: **\*\*Sep. 16, 1997**

[54] **EXERCISER**

5,435,801 7/1995 Hung ..... 482/52  
5,562,579 10/1996 Sheikowitz ..... 482/138

[76] Inventor: **Charles Ho**, 3F, No. 9, Alley 1, Lane  
94, Ta Chih Street, Taipei, Taiwan

*Primary Examiner*—Sandra L. Morris  
*Attorney, Agent, or Firm*—Bacon & Thomas

[\*\*] Term: **14 Years**

[57] **CLAIM**

[21] Appl. No.: **54,708**

The ornamental design for an exerciser, as shown and described.

[22] Filed: **May 20, 1996**

### DESCRIPTION

[51] LOC (6) Cl. .... **21-02**

[52] U.S. Cl. .... **D21/191**

[58] Field of Search ..... D21/191, 195;  
482/52, 53, 71, 72, 73, 112, 130, 131, 138,  
142

FIG. 1 is a perspective view of an exerciser showing my new design;

FIG. 2 is a front elevational view thereof;

FIG. 3 is a rear elevational view thereof;

FIG. 4 is a side elevational view thereof;

FIG. 5 is an elevational view of the side opposite to FIG. 4;

FIG. 6 is a top plan view thereof; and,

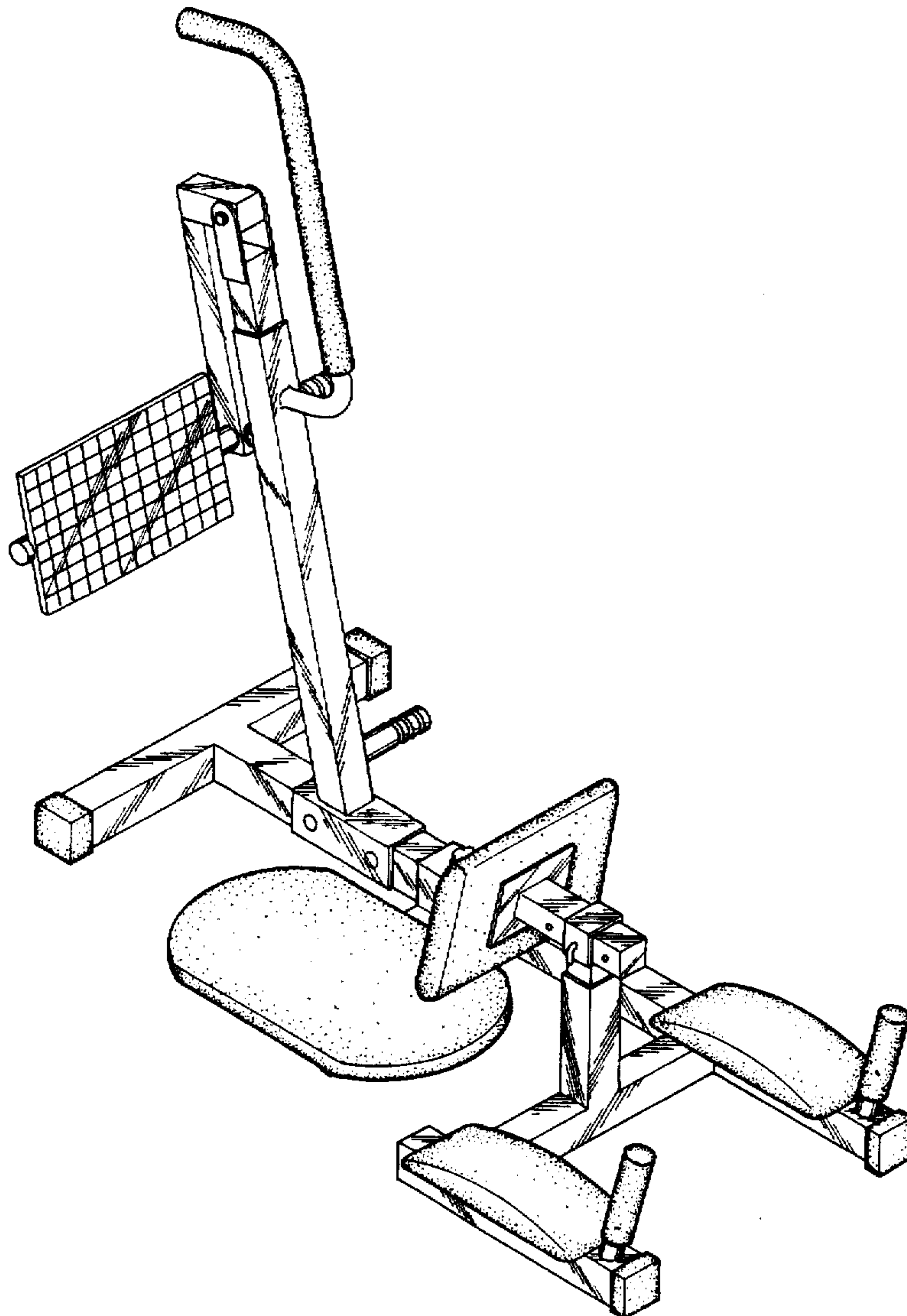
FIG. 7 is a bottom plan view thereof.

### [56] References Cited

#### U.S. PATENT DOCUMENTS

D. 357,041 4/1995 McBride et al. .... D21/195  
5,338,277 8/1994 Yang ..... 482/130

**1 Claim, 6 Drawing Sheets**



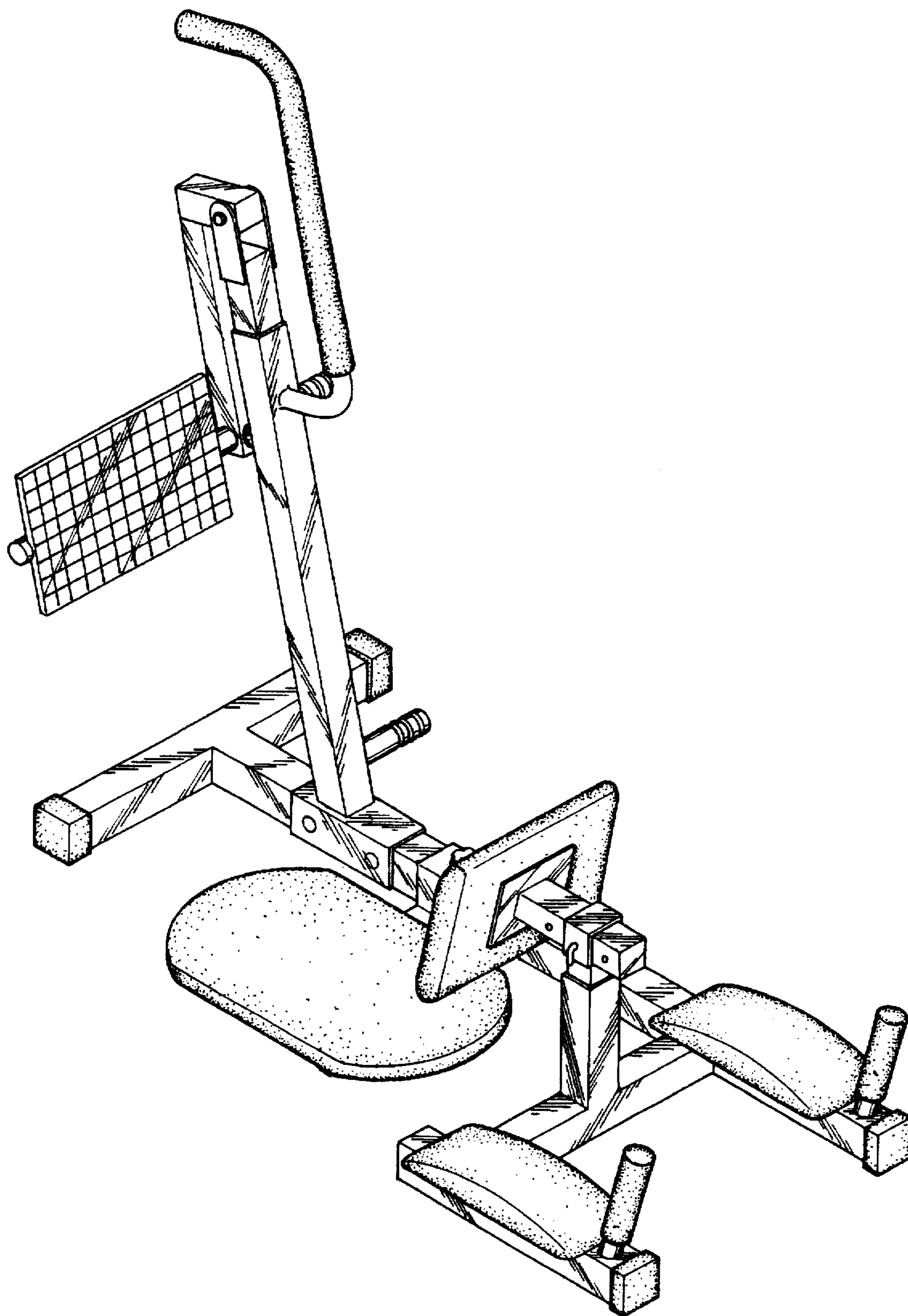


FIG 1

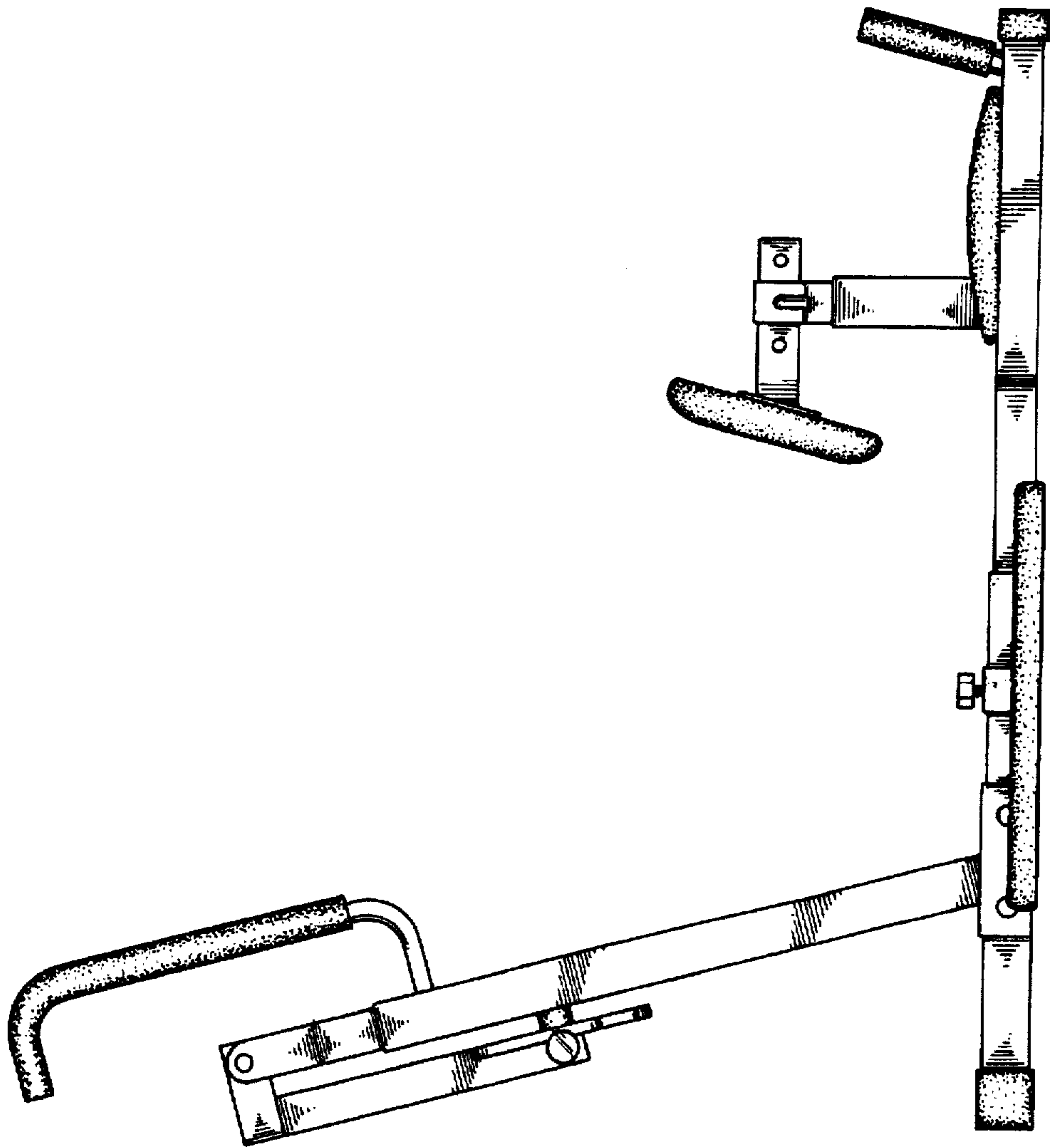


FIG 2

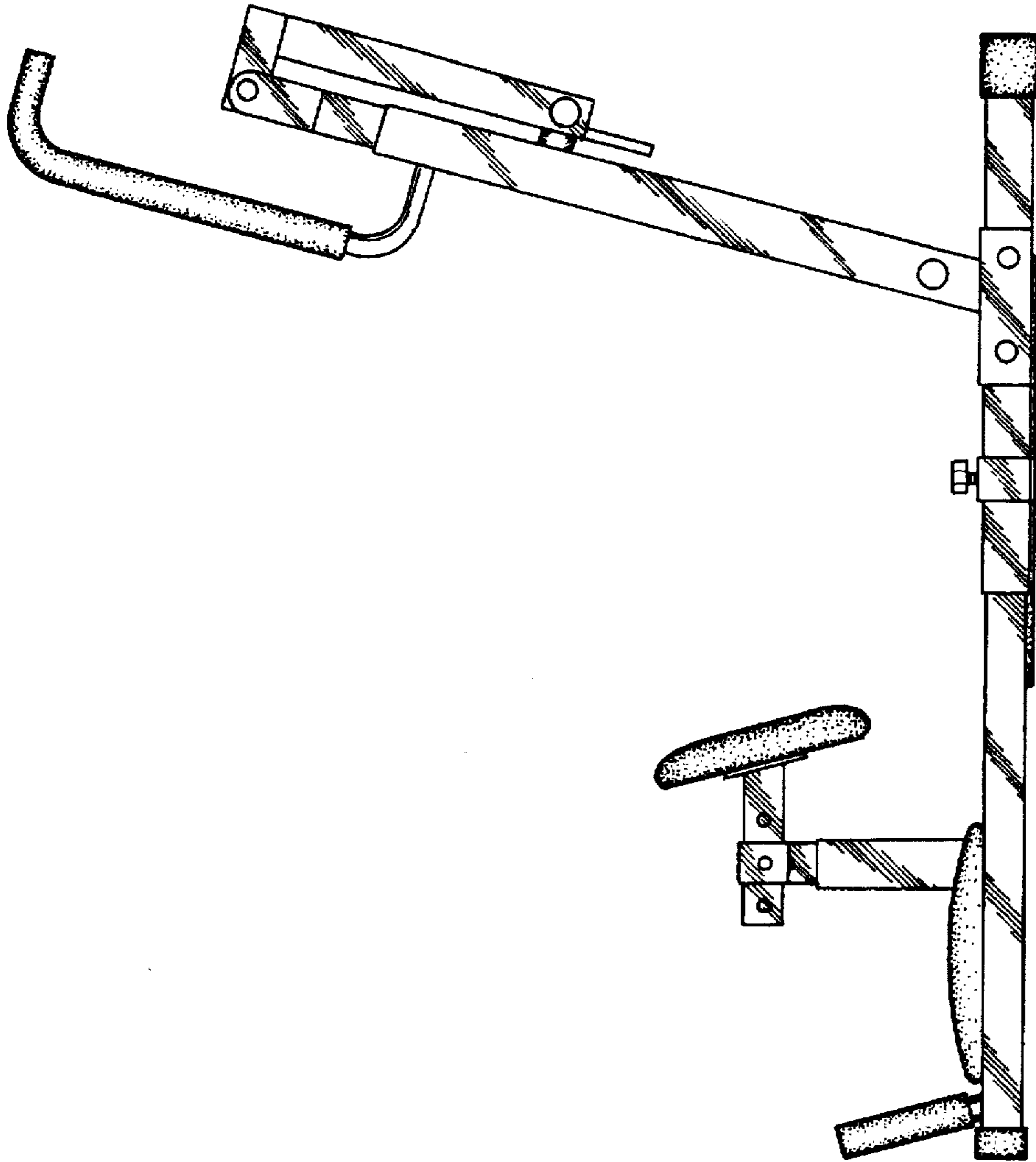


FIG 3



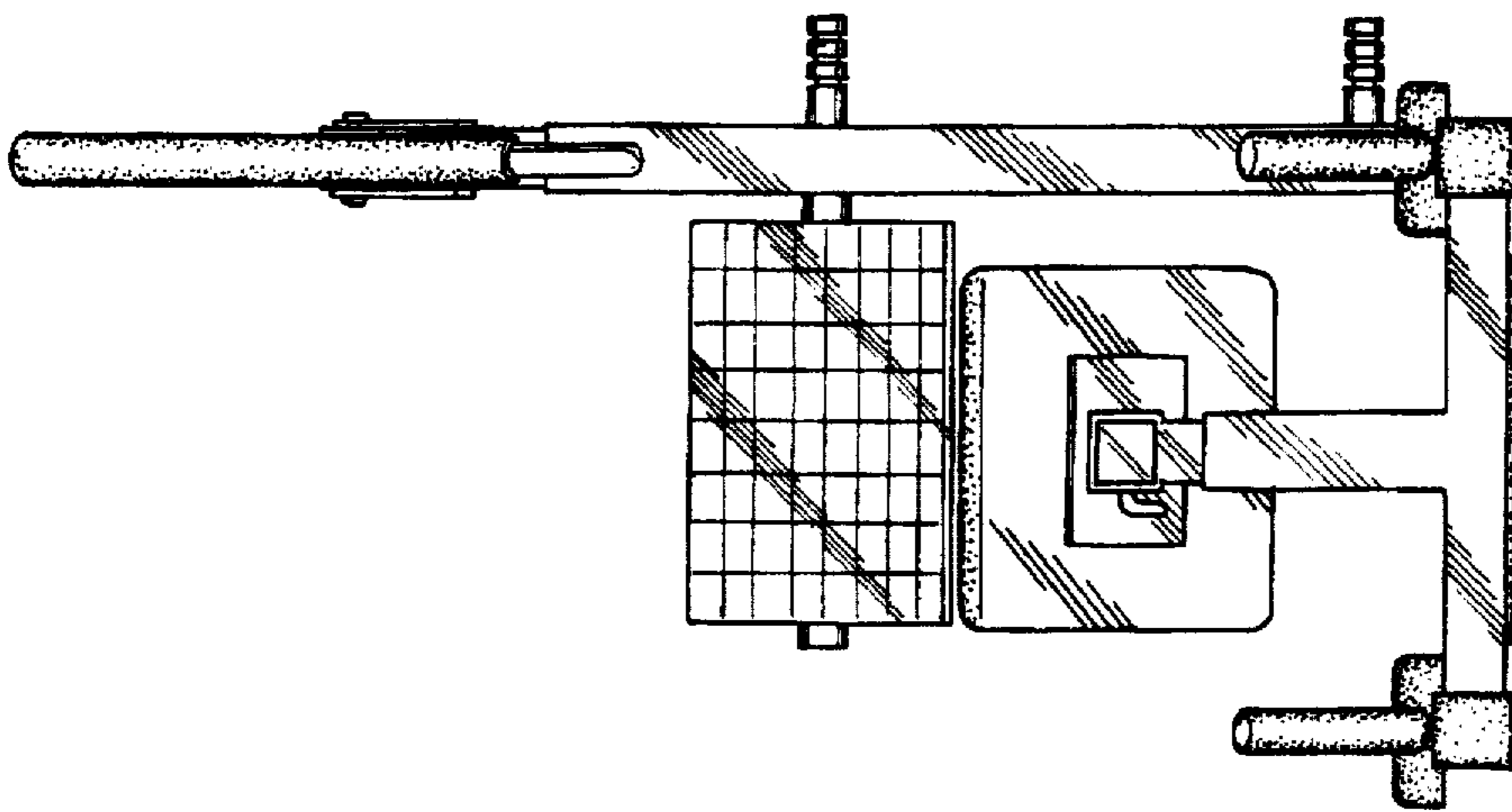


FIG 5

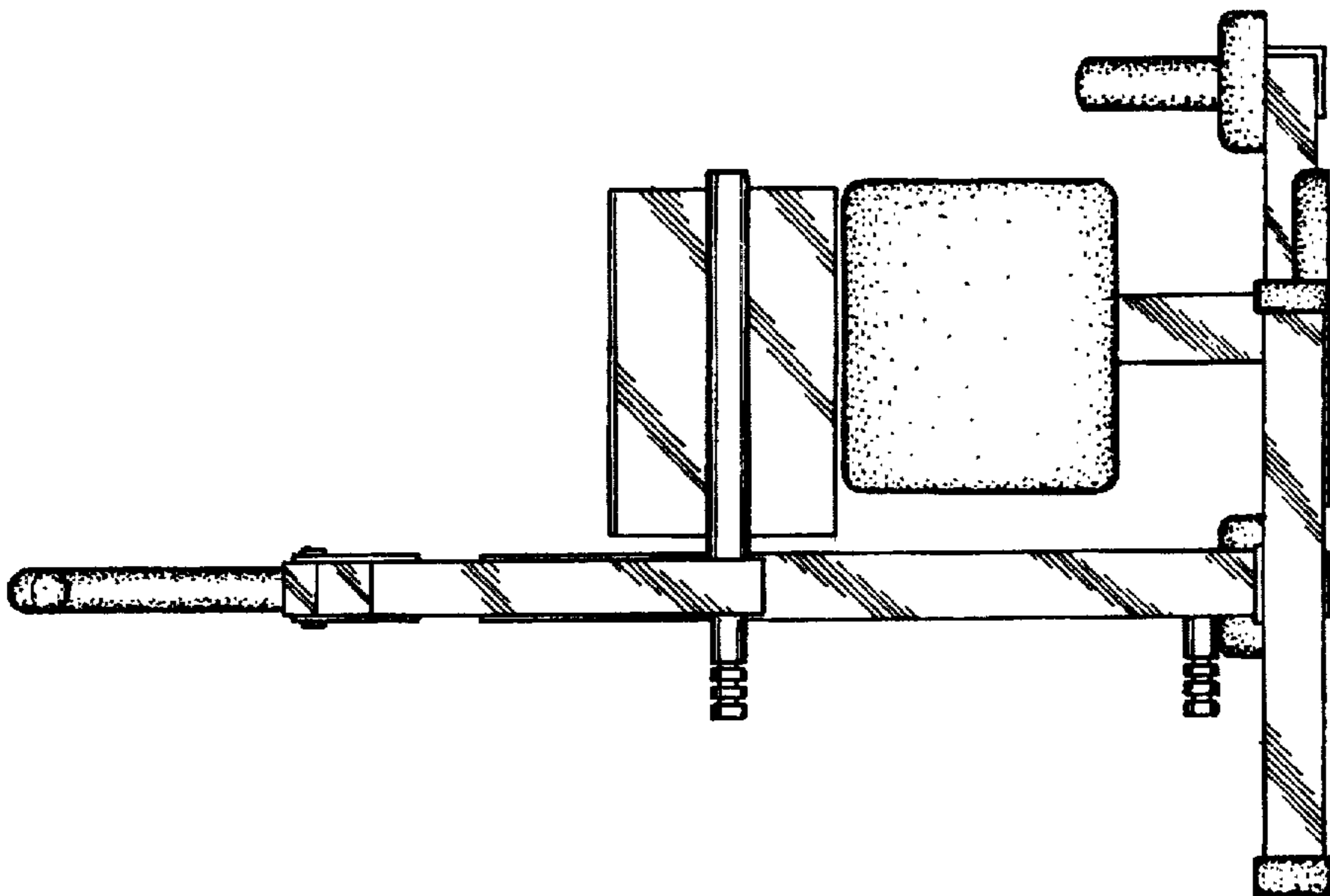


FIG 4

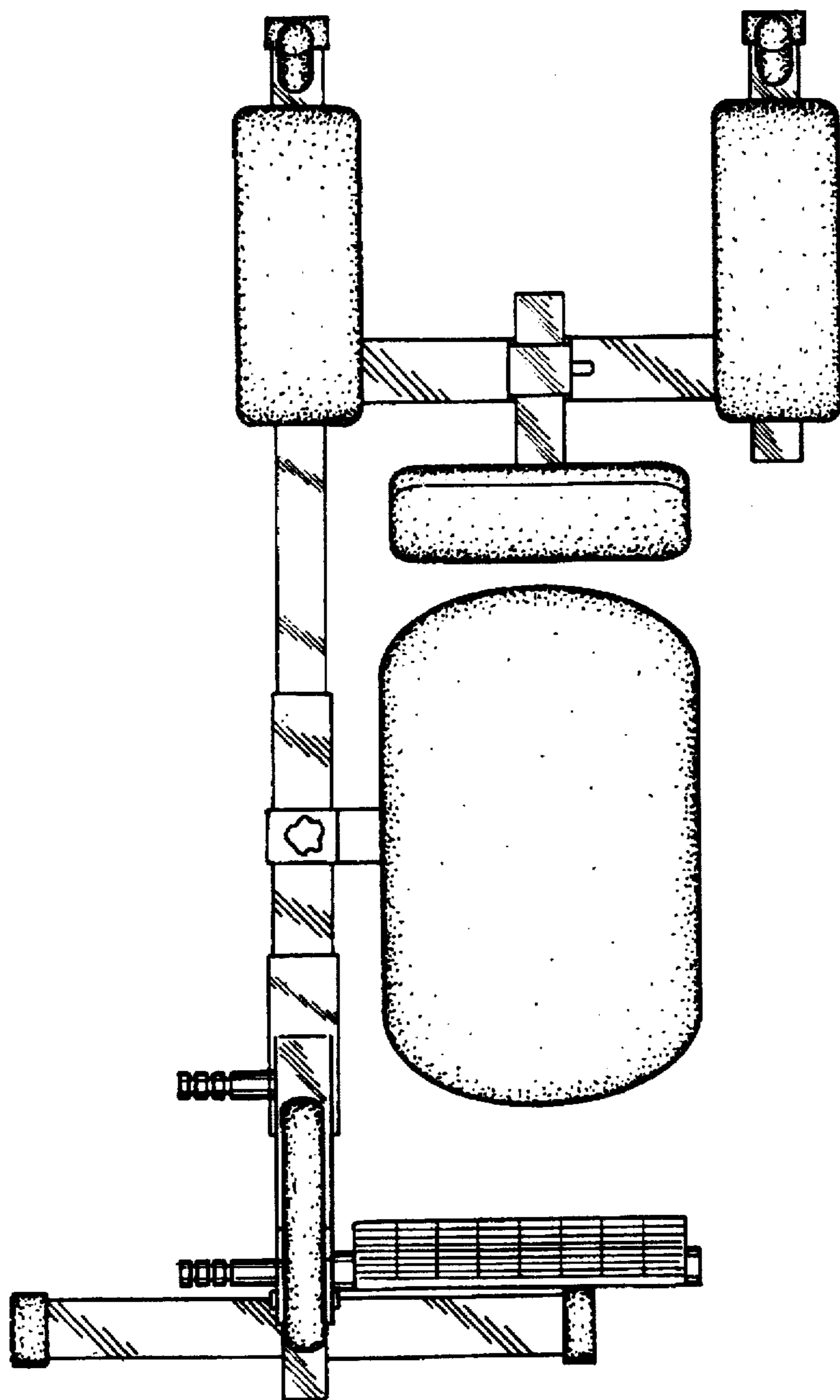


FIG 6

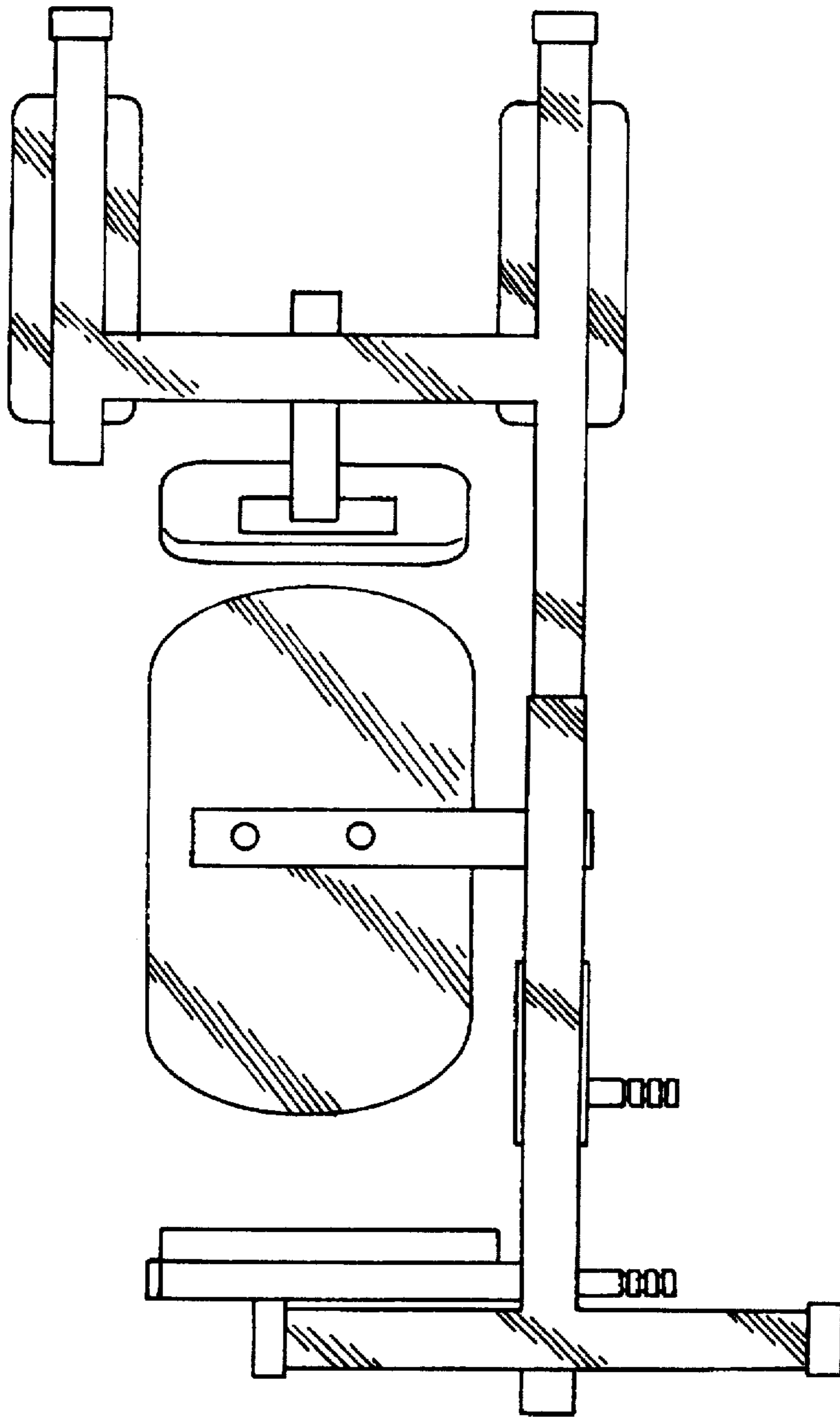


FIG 7