

US00D383807S

United States Patent [19] Choi

[11] Patent Number: **Des. 383,807**
[45] Date of Patent: ****Sep. 16, 1997**

[54] TOY CAR

[76] Inventor: **Kevin Kei Fung Choi**, 26th Floor, 38
Russell Street, Causeway Bay, Hong
Kong

[**] Term: **14 Years**

[21] Appl. No.: **50,193**

[22] Filed: **Feb. 12, 1996**

[51] LOC (6) Cl. **21-01**

[52] U.S. Cl. **D21/136**

[58] Field of Search D21/71, 73-81,
D21/128, 131-140; D12/87, 88, 86; 446/470,
471, 440, 426, 428, 76, 78, 80; 280/87.01,
87.021, 1.22, 1.13, 827, 828

[56] **References Cited**

U.S. PATENT DOCUMENTS

D. 256,150 7/1980 Lofton et al. D21/76
D. 295,302 4/1988 Yoke D21/136
D. 310,111 8/1990 Revell et al. D21/128
D. 311,760 10/1990 Harrod D21/78

D. 315,931 4/1991 Berggren D21/128
D. 333,327 2/1993 Plater-Zyberk D21/76
D. 339,175 9/1993 Li D21/76
4,513,981 4/1985 DeGraaff 280/828

Primary Examiner—Raphael Barkai

[57] **CLAIM**

The ornamental design for the toy car, as shown and described.

DESCRIPTION

FIG. 1 is a front view of my new design;
FIG. 2 is a front view thereof lined for color;
FIG. 3 is a right side view thereof, of which the left side view is a mirror image;
FIG. 4 is a right side view thereof lined for color;
FIG. 5 is a rear view thereof;
FIG. 6 is a rear view thereof lined for color;
FIG. 7 is a top view thereof; and,
FIG. 8 is a top view thereof lined for color.
The draftsmen's symbols showing color have been omitted from FIGS. 1, 3, 5 and 7 for clarity of illustration only.

1 Claim, 4 Drawing Sheets

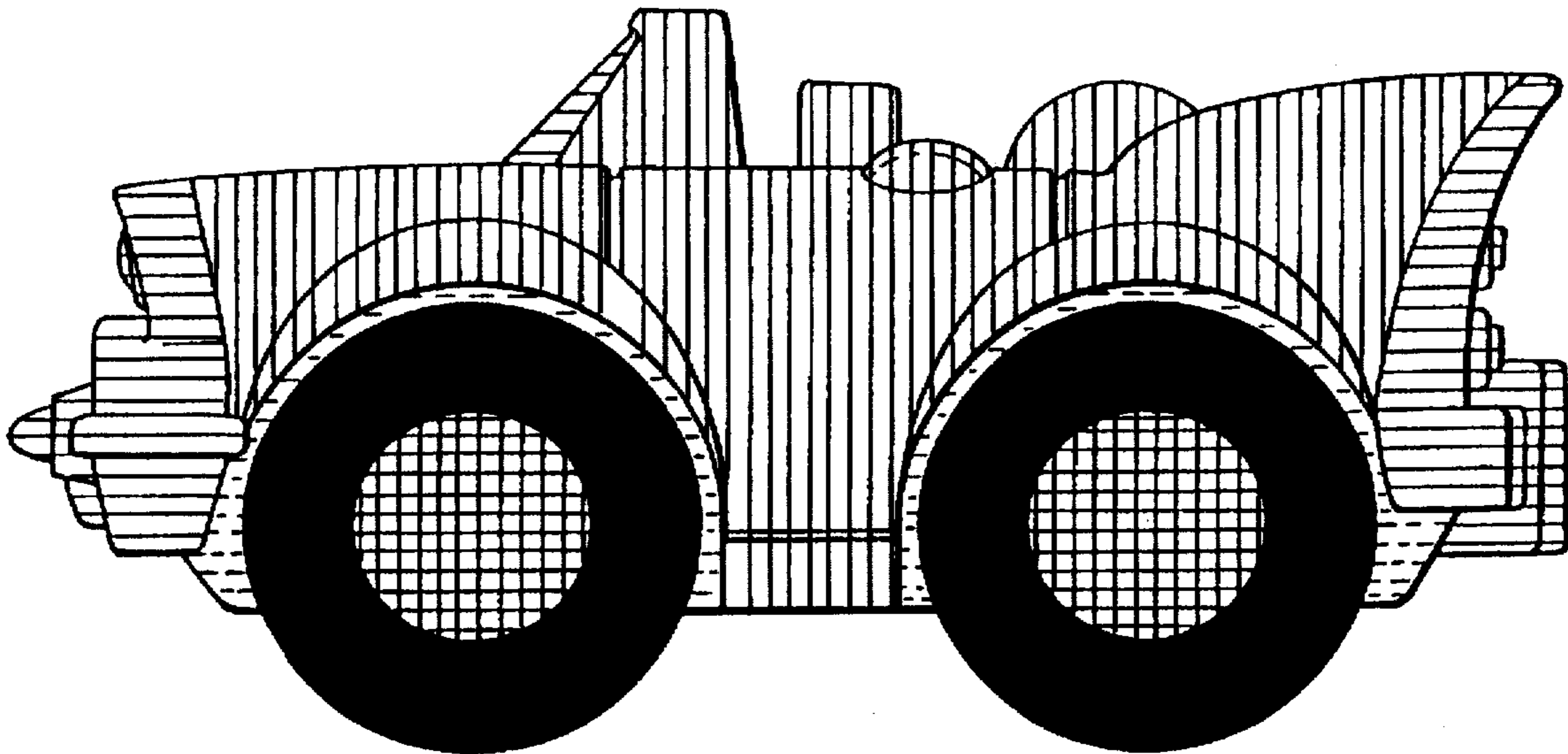


FIG. 1

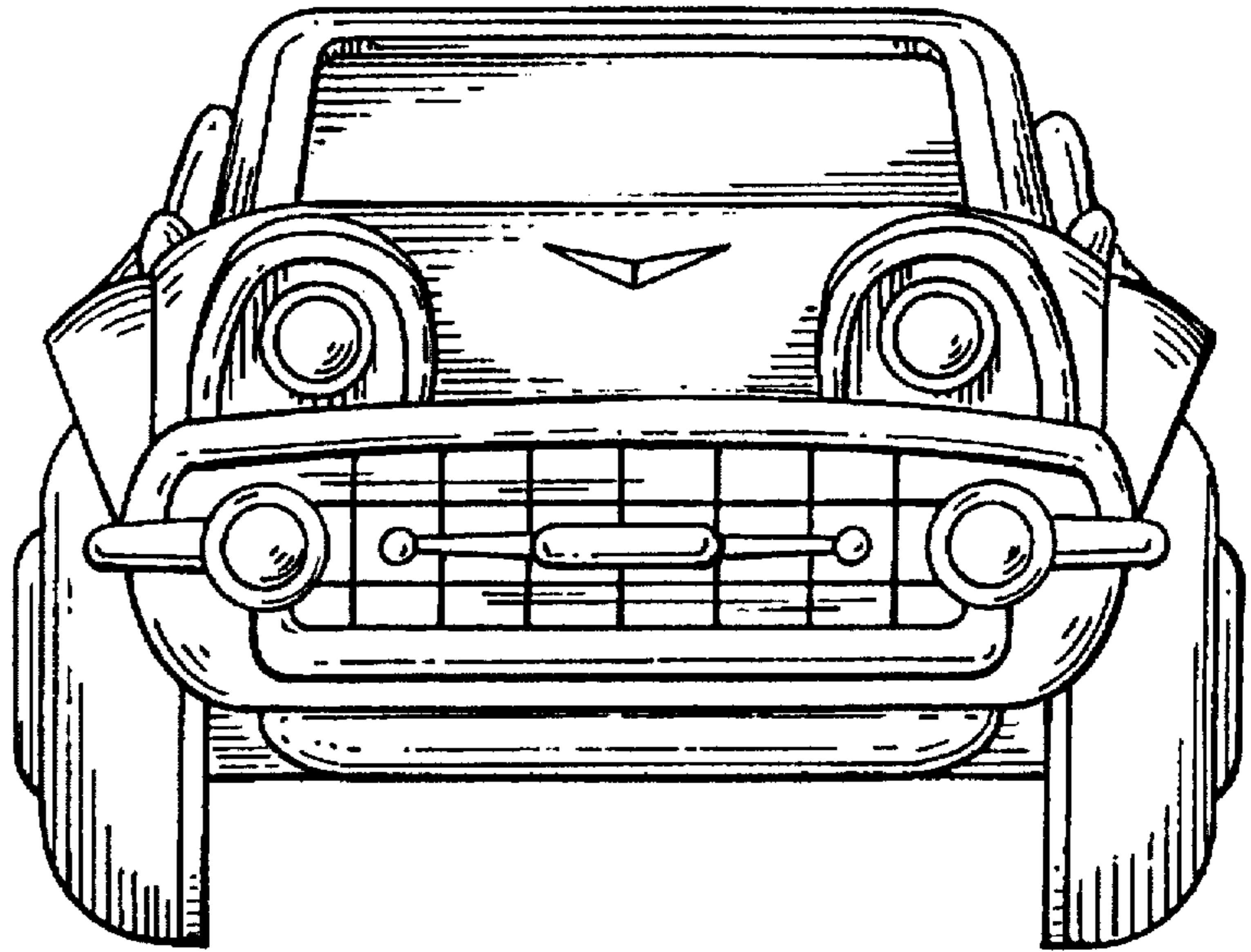


FIG. 5

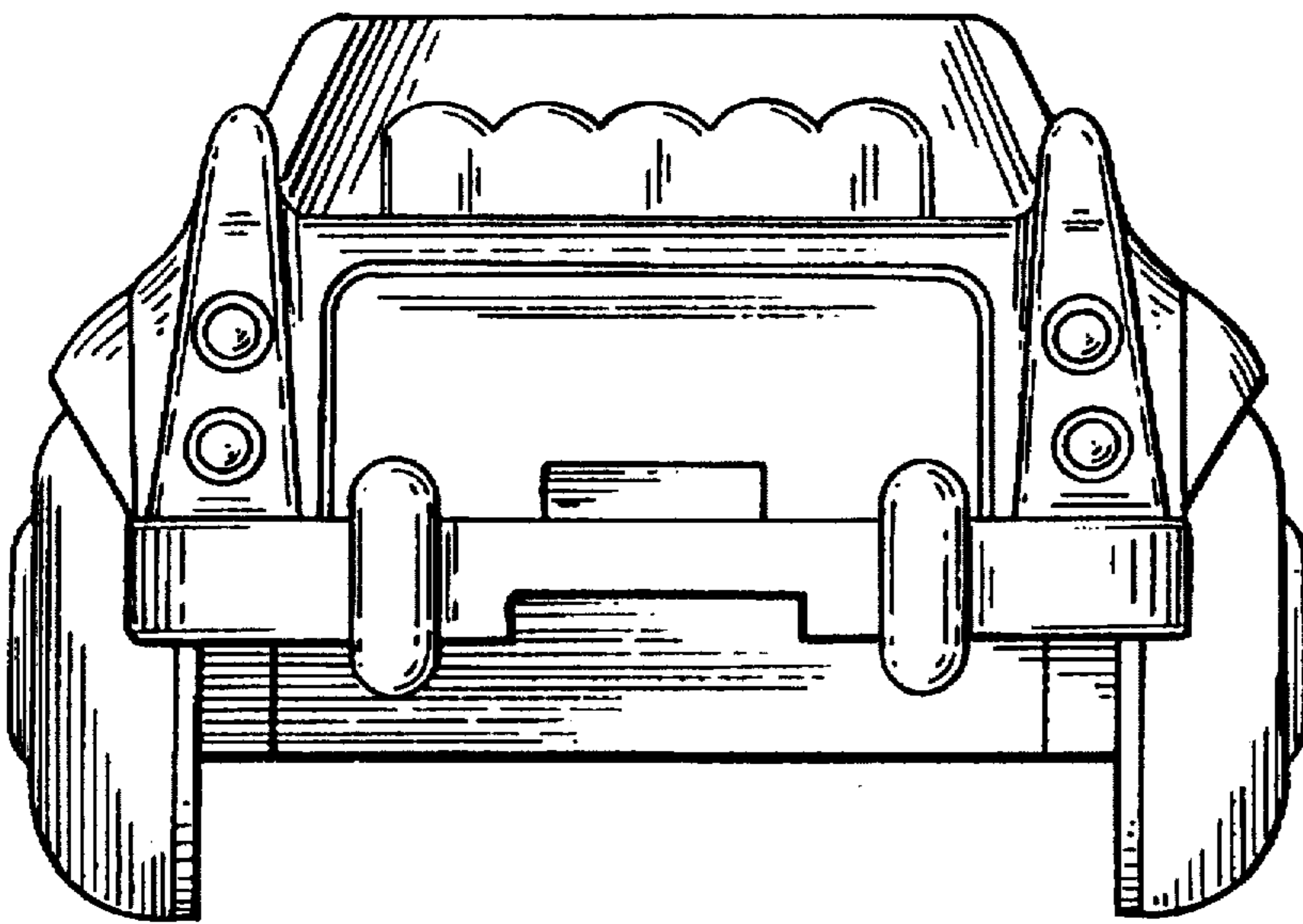


FIG. 2

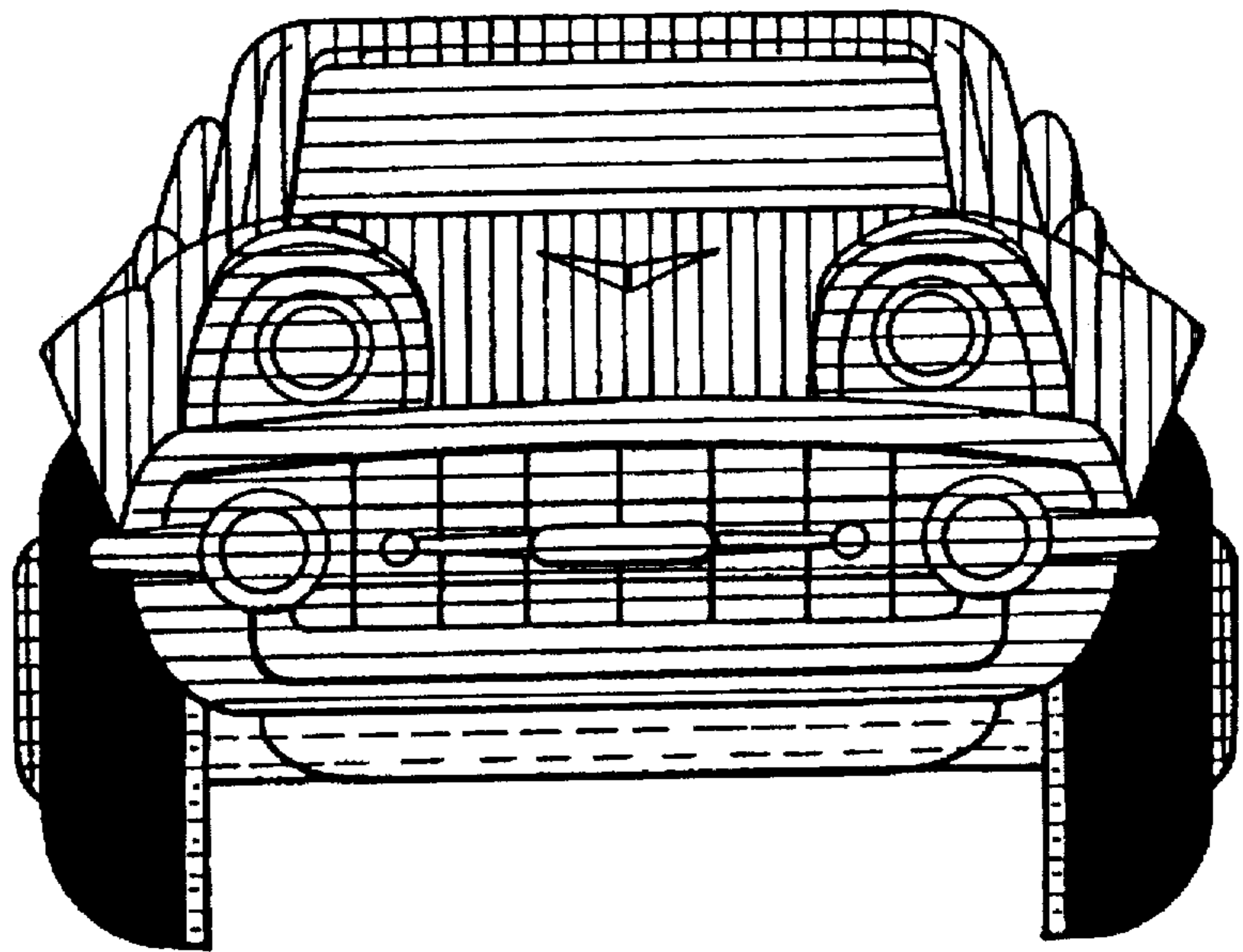


FIG. 6

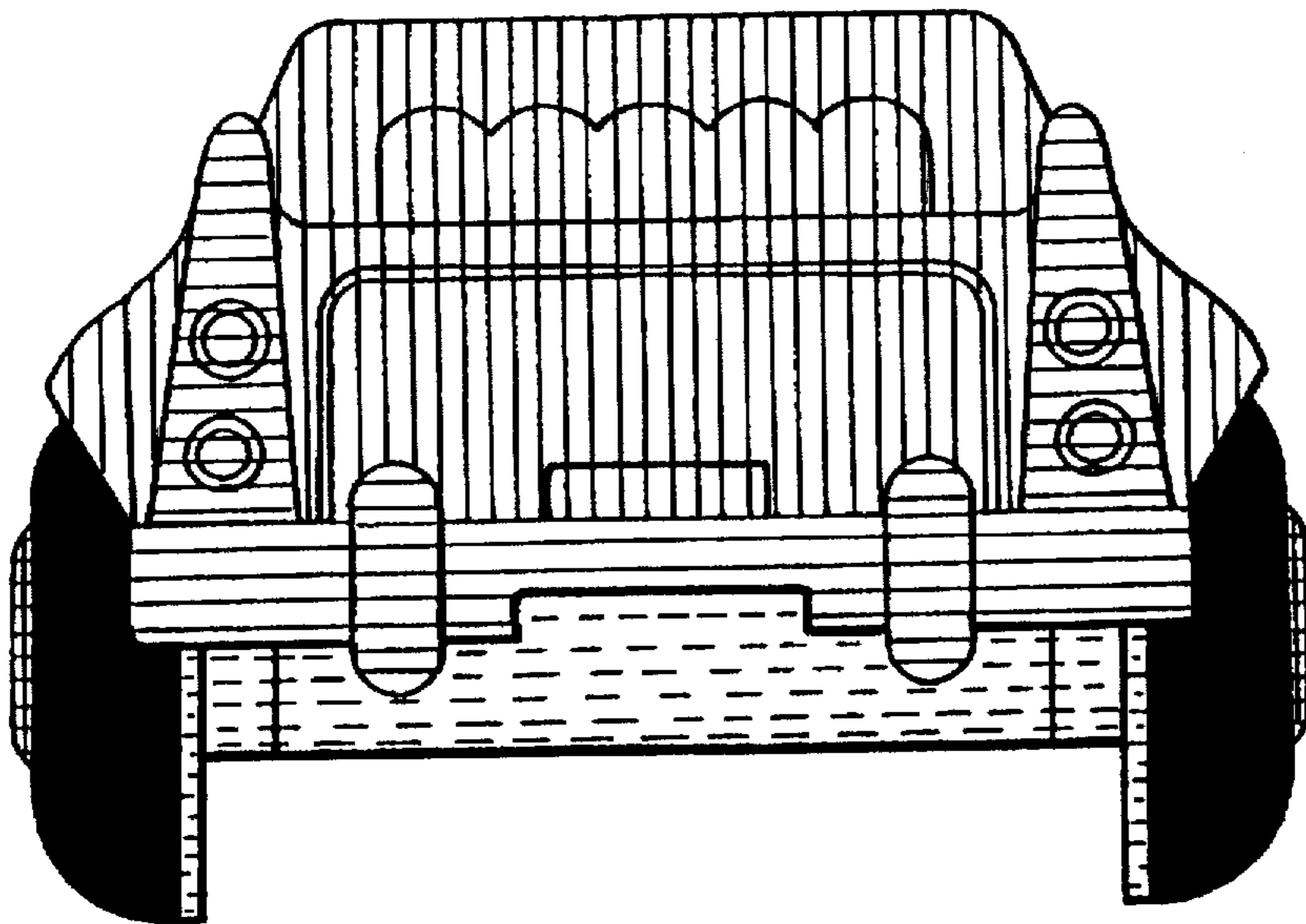


FIG. 3

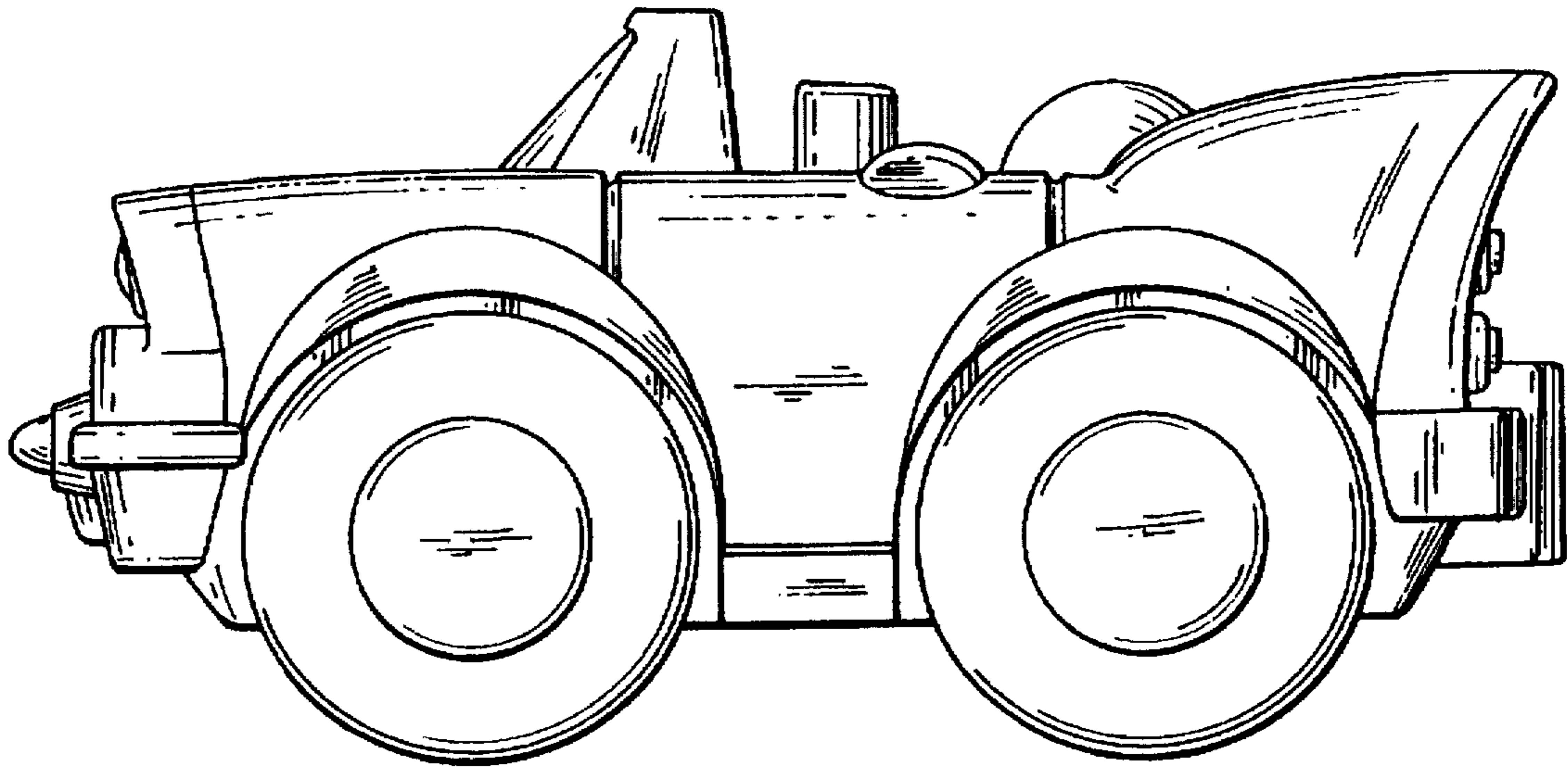


FIG. 7

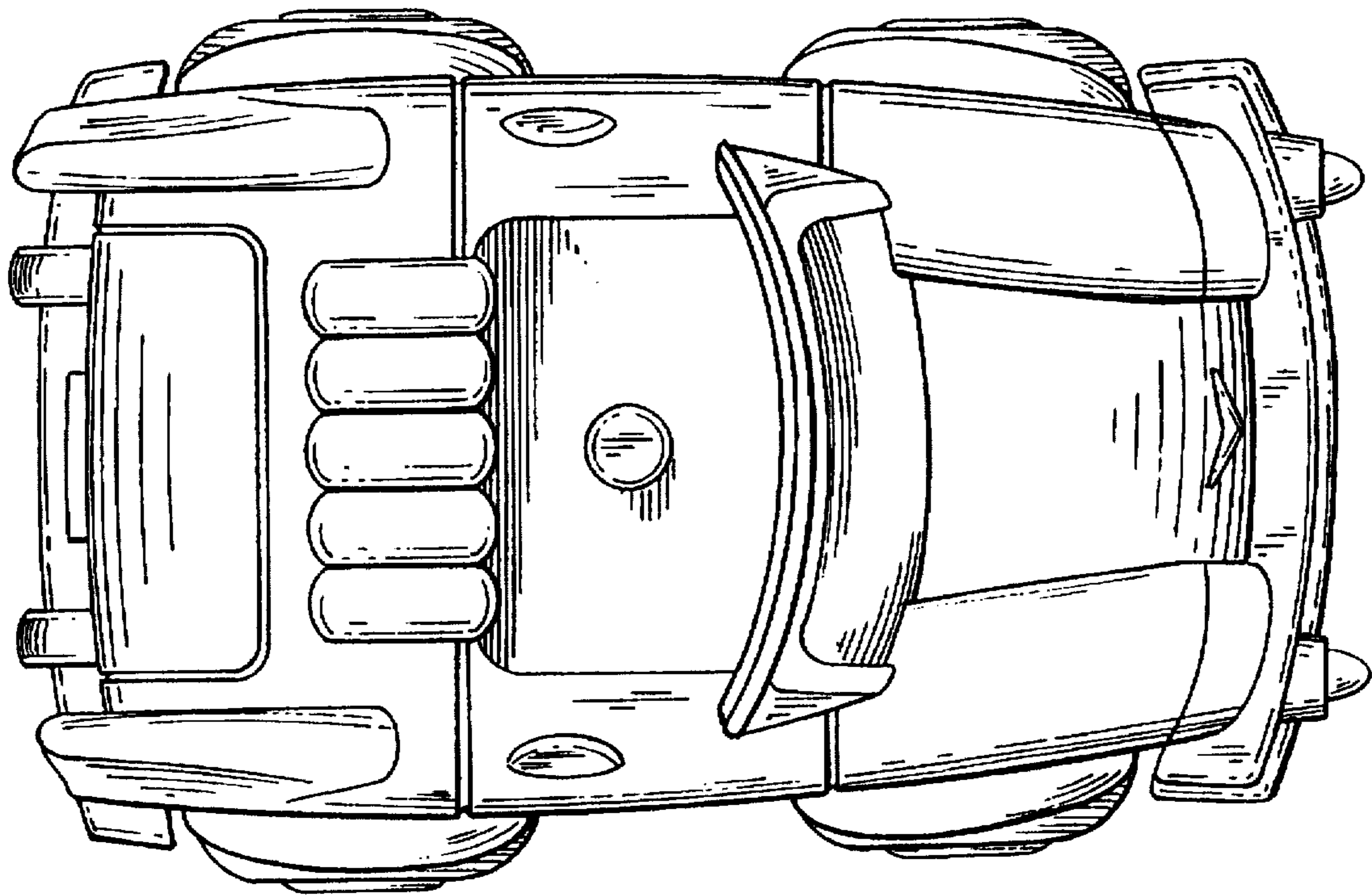


FIG. 4

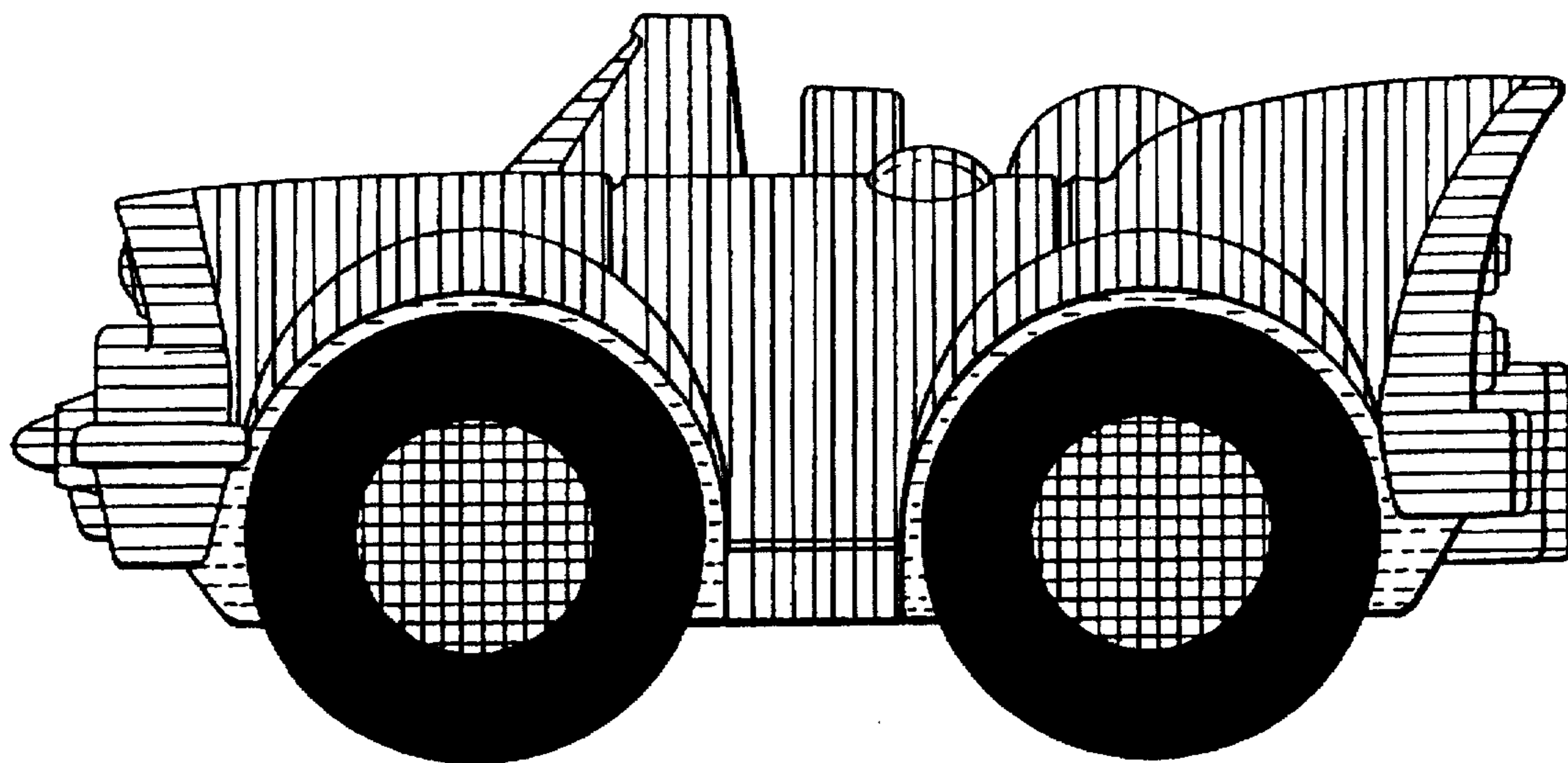


FIG. 8

