



US00D383797S

United States Patent [19] Finnegan

[11] Patent Number: **Des. 383,797**

[45] Date of Patent: ****Sep. 16, 1997**

[54] **ANIMAL WATERER**

[76] Inventor: **Michael E. Finnegan**, 2143 Northern Ave., Kingman, Ariz. 86401

[**] Term: **14 Years**

[21] Appl. No.: **58,484**

[22] Filed: **Aug. 15, 1996**

[51] LOC (6) Cl. **30-03**

[52] U.S. Cl. **D30/132; D30/130; D30/121**

[58] Field of Search 119/464, 477, 119/460, 52.1, 74, 51.5, 77, 72.5; D30/121, 129, 131

[56] **References Cited**

U.S. PATENT DOCUMENTS

D. 350,842	9/1994	Van Skiver	D30/121
D. 374,516	10/1996	Lillelund et al.	D30/121
3,720,184	3/1973	Pearce	119/77
4,134,365	1/1979	Futers et al.	119/77
4,281,624	8/1981	Raines	119/77
4,450,790	5/1984	Stansbury, Jr.	119/74
4,573,434	3/1986	Gardner	119/77
4,721,063	1/1988	Atchley	119/52.1
4,762,086	8/1988	Atchley	119/77
4,840,143	6/1989	Simon	119/52.1
5,086,805	2/1992	DeForest, III	119/72.5

FOREIGN PATENT DOCUMENTS

682630	3/1964	Canada	119/74
353258	9/1905	France	119/77
2227819	11/1974	France	119/77
2363281	3/1978	France	119/51.5
2241633	9/1991	United Kingdom	119/77

OTHER PUBLICATIONS

Delta Airlines Magazine, Animal Treat Dispenser; Nov. 1994.

Automatic Feeder & Waterer brochure from Starcrest of California; No. 7-6446-4; May 1986.

Primary Examiner—Cathy Anne MacCormac
Attorney, Agent, or Firm—Louis J. Hoffman; Steven G. Lisa

[57] **CLAIM**

The ornamental design for an animal waterer, as shown and described.

DESCRIPTION

FIG. 1 is a perspective view of an animal waterer showing my new design;

FIG. 2 is a side elevation view of the embodiment shown in FIG. 1;

FIG. 3 is the other side elevation view of the embodiment shown in FIG. 1;

FIG. 4 is a rear elevation view of the embodiment shown in FIG. 1;

FIG. 5 is a front elevation view of the embodiment shown in FIG. 1;

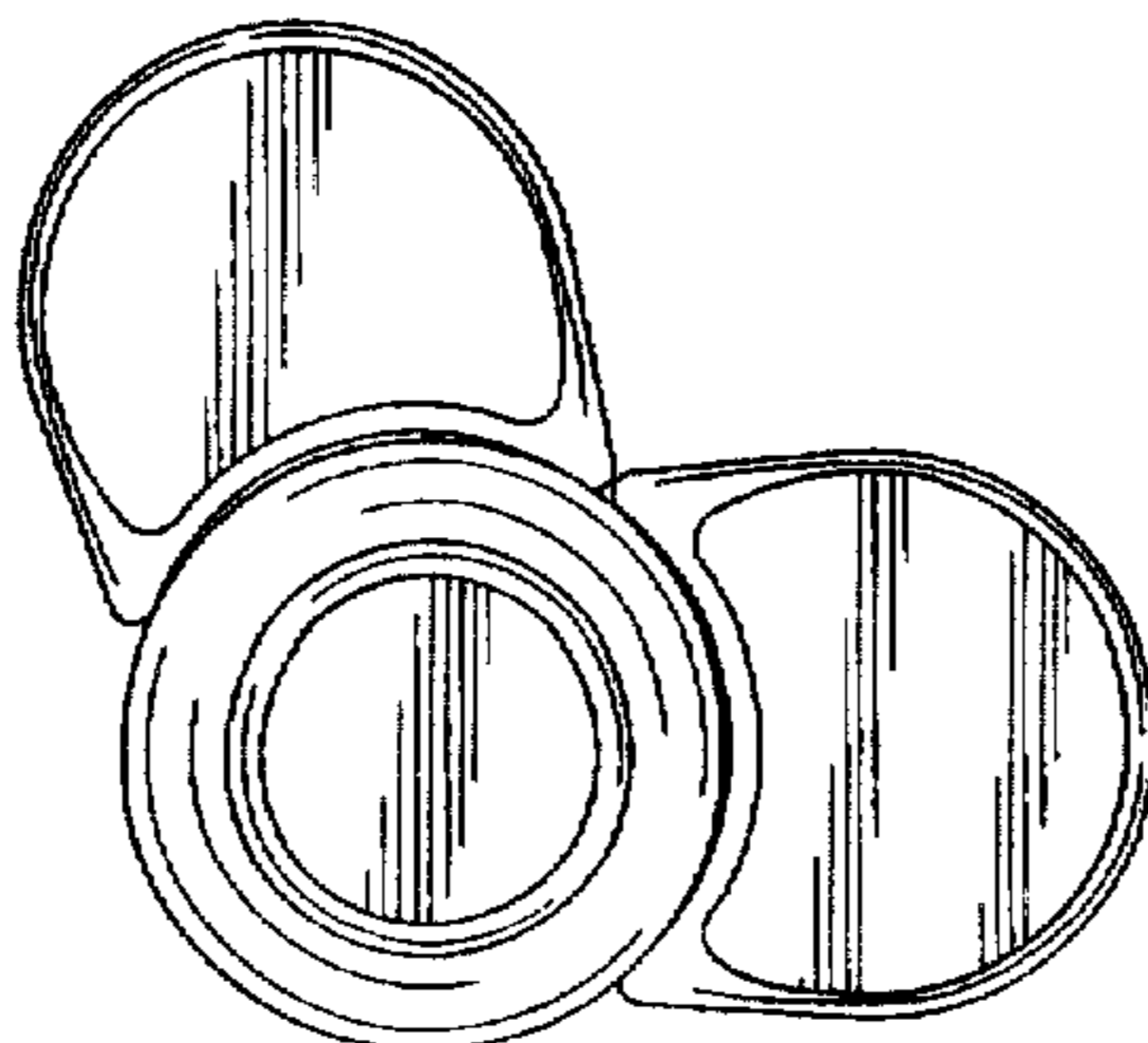
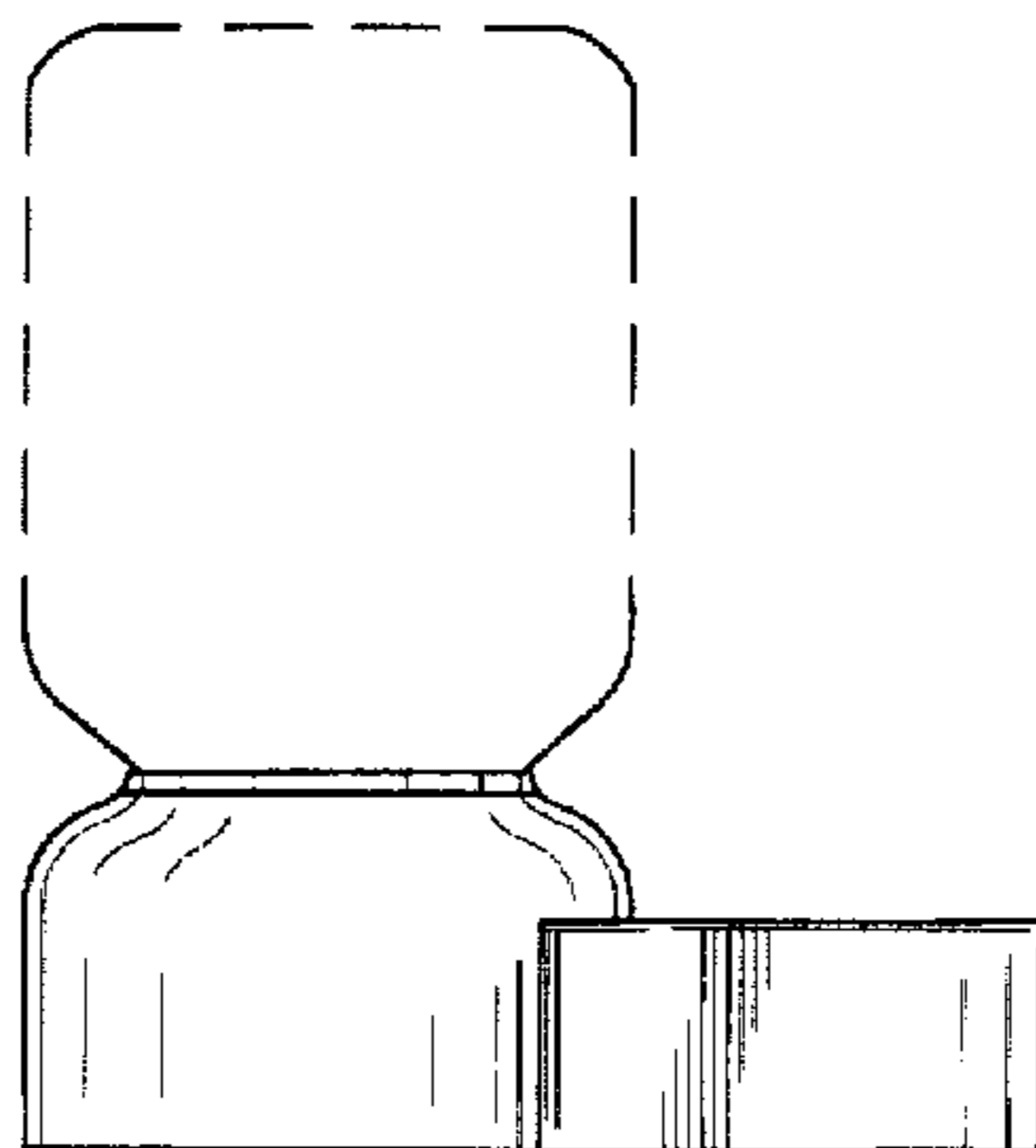
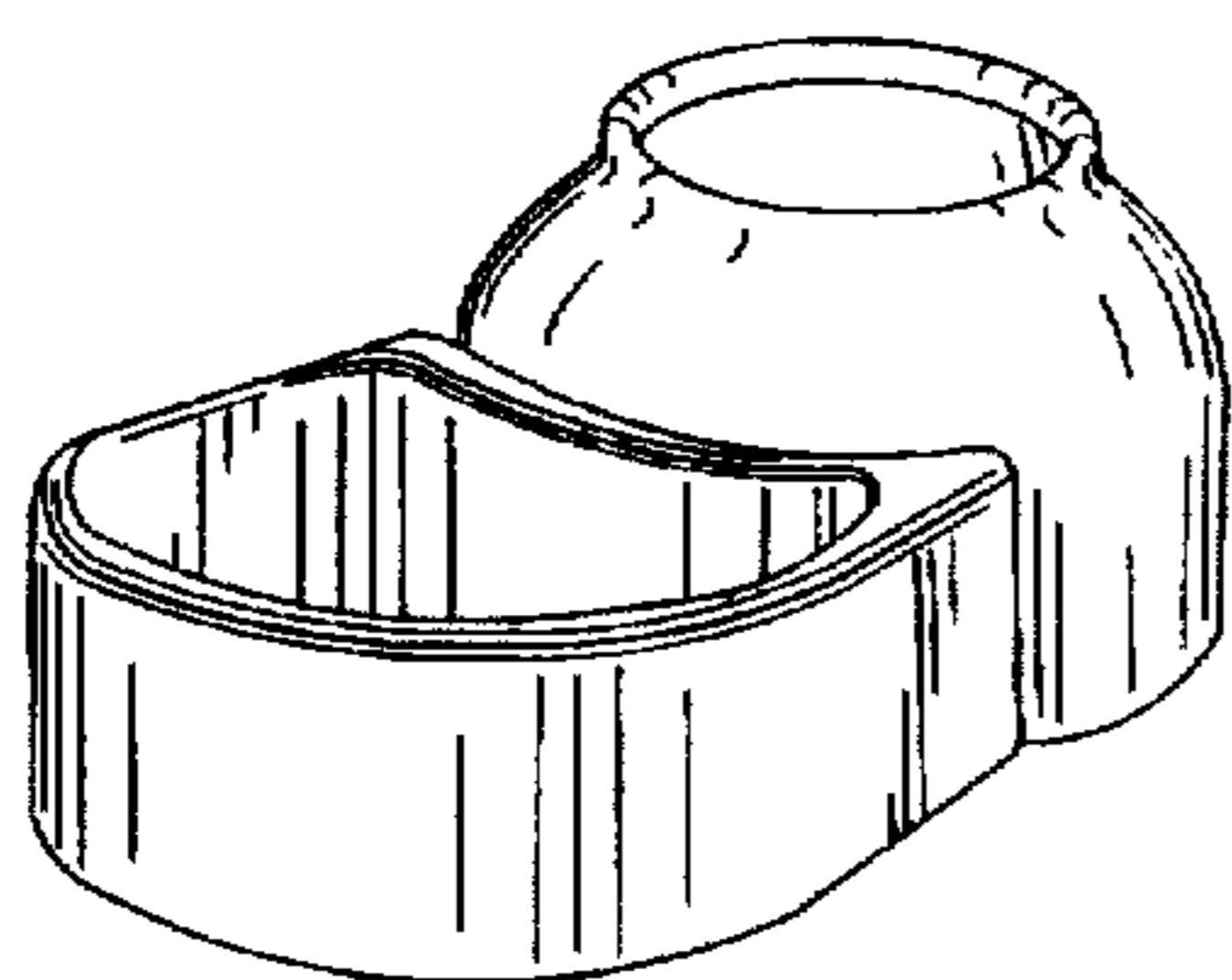
FIG. 6 is a top plan view of the embodiment shown in FIG. 1;

FIG. 7 is a bottom plan view of the embodiment shown in FIG. 1; and,

FIG. 8 is a top plan view of a second embodiment of FIG. 1, the difference being in the addition of a second bowl.

The broken lines are for purposes of illustration only and form no part of the claimed design.

1 Claim, 5 Drawing Sheets



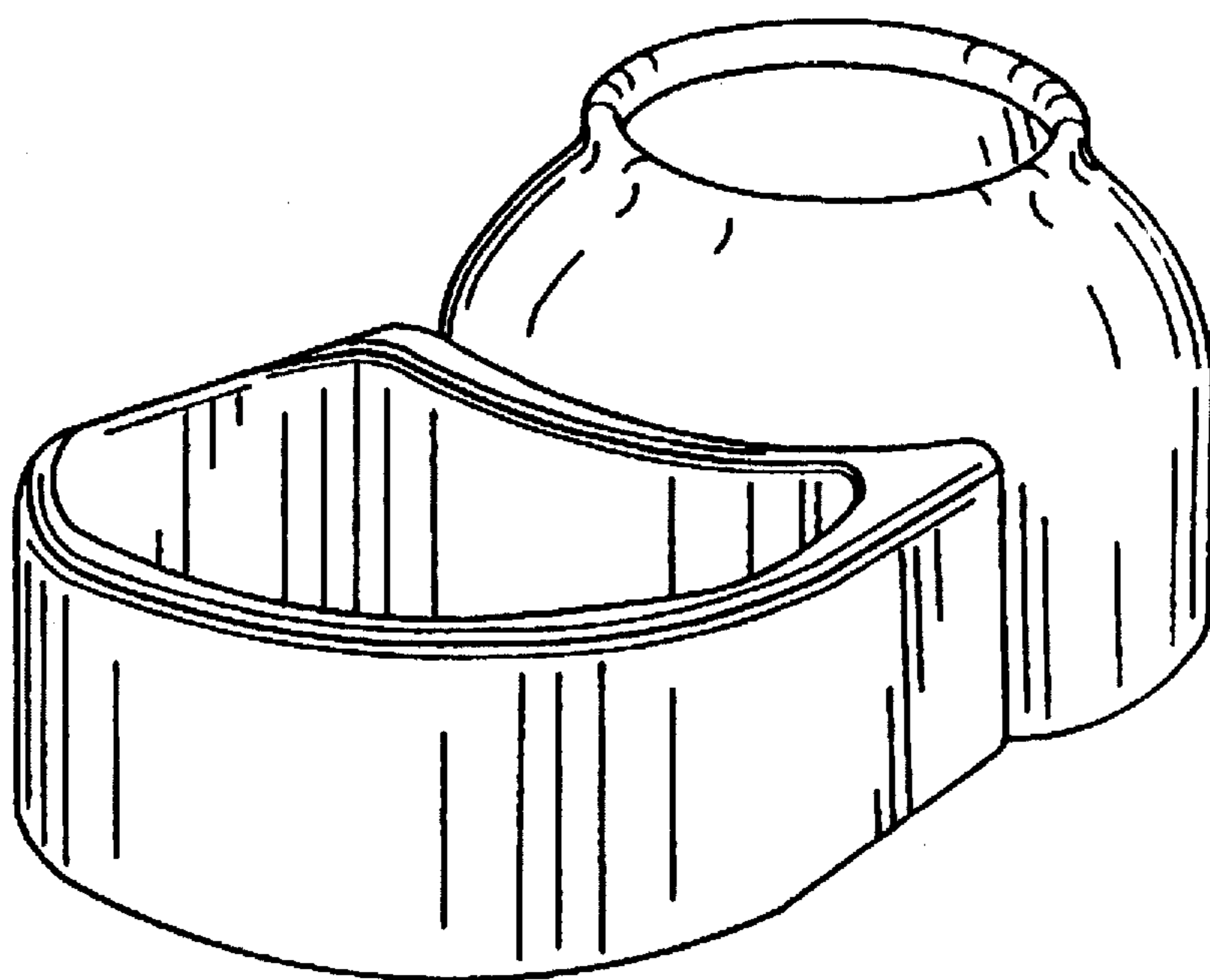


FIG. 1

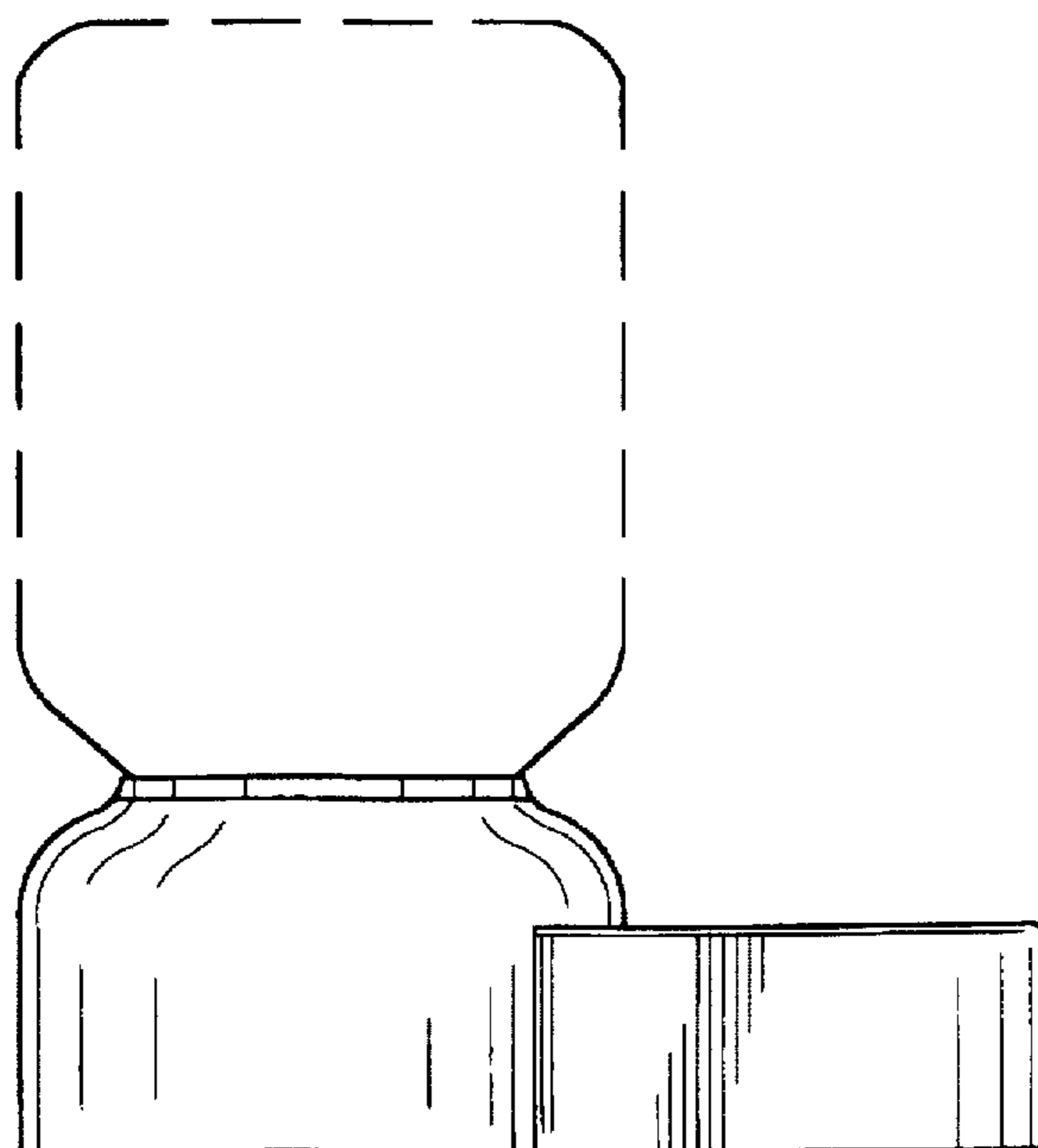


FIG. 2

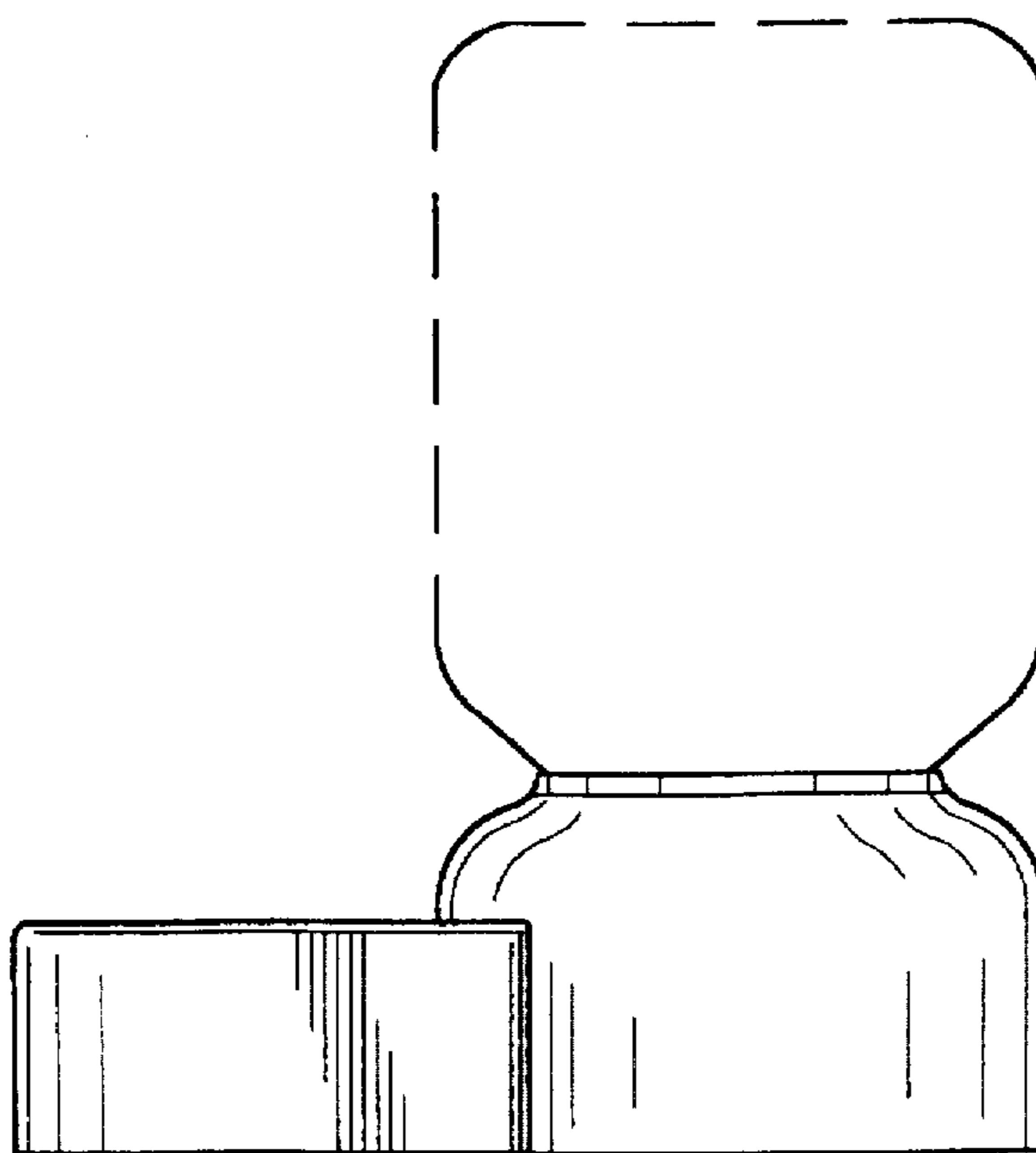


FIG. 3

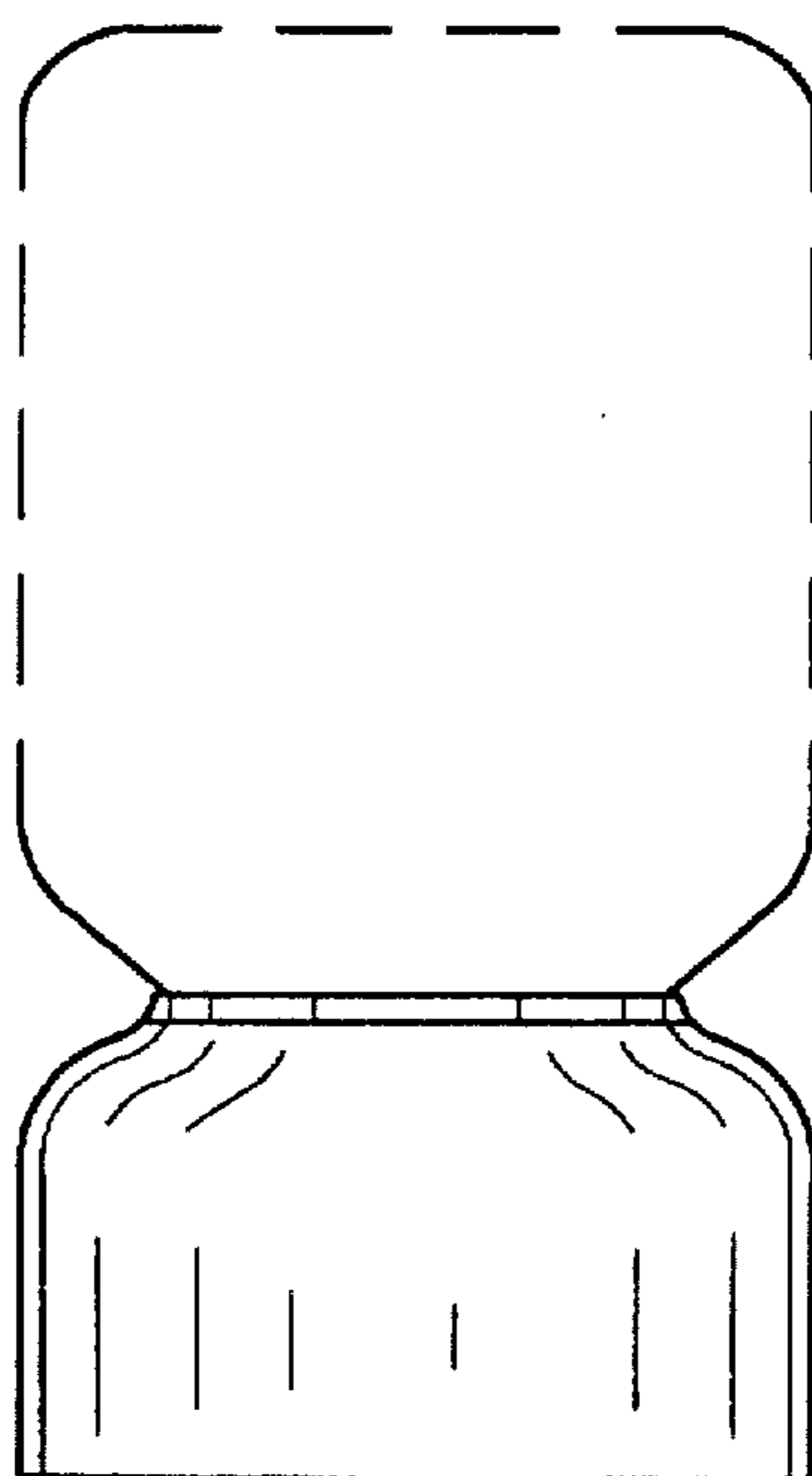


FIG. 4

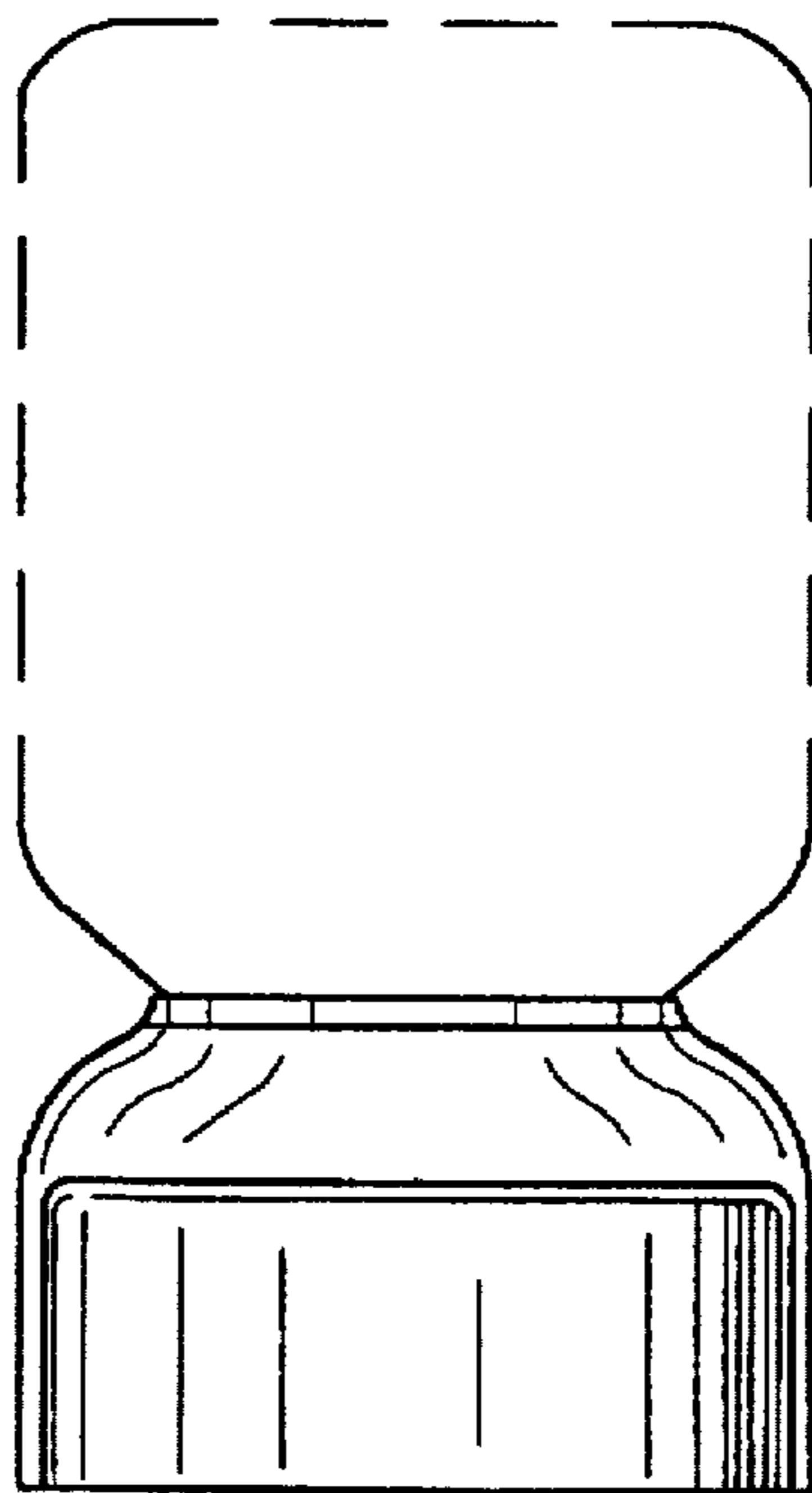


FIG. 5

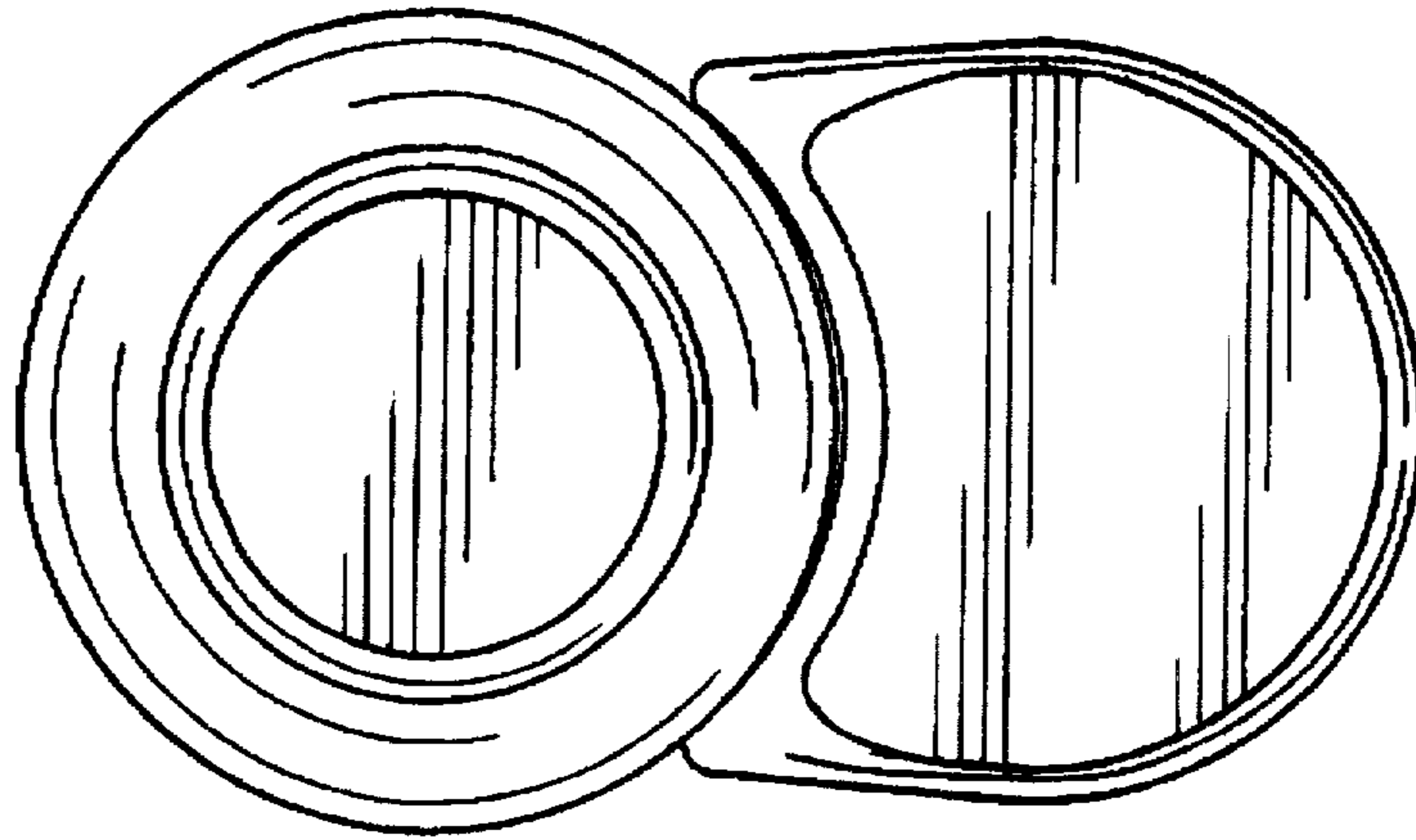


FIG. 6

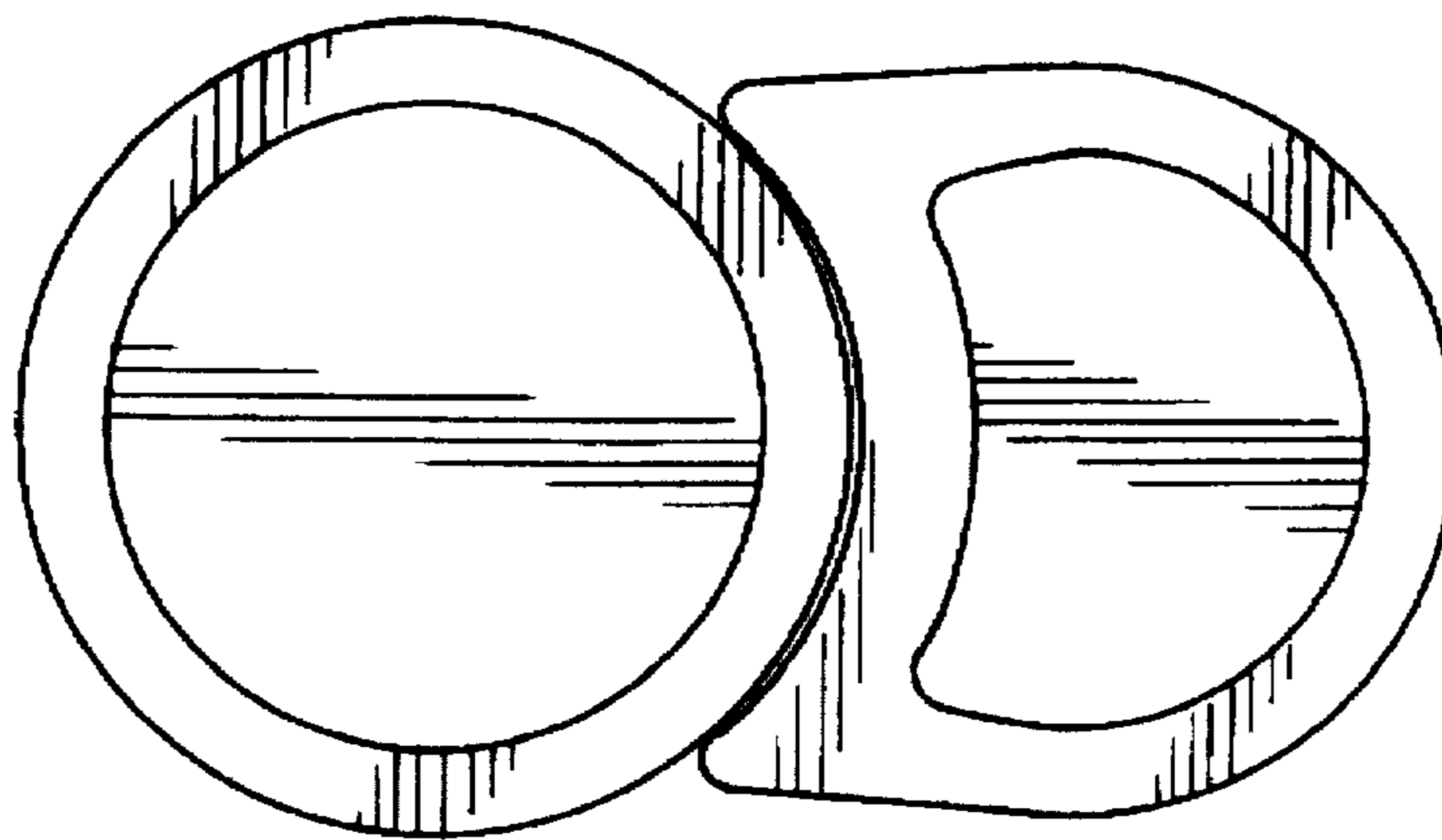


FIG. 7

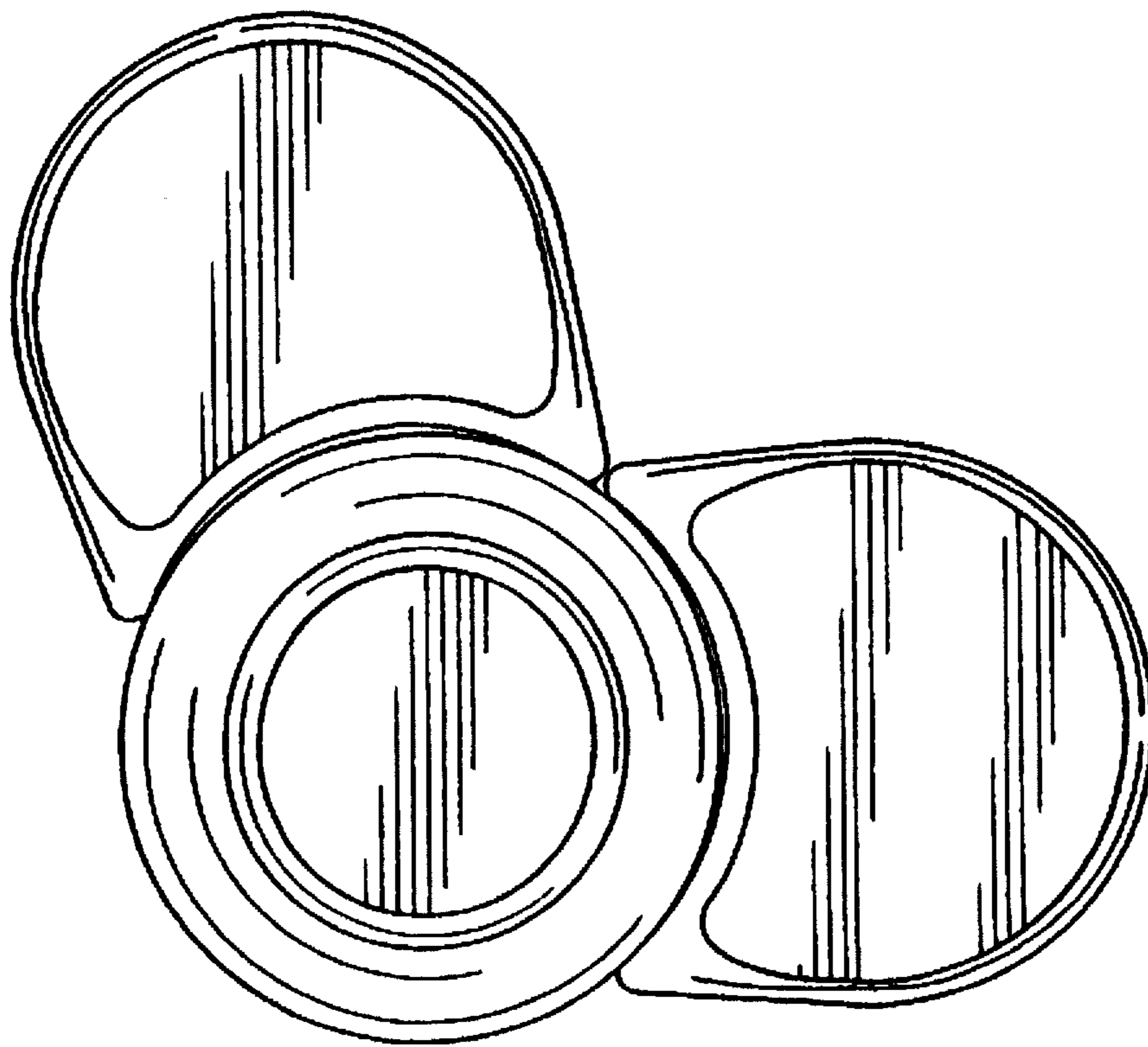


FIG. 8