



US00D383786S

United States Patent [19] Shyu

[11] Patent Number: **Des. 383,786**
[45] Date of Patent: ****Sep. 16, 1997**

[54] **PAPER CLIP WITH T-SHAPED END**

[76] Inventor: **Jenq-Pyng Shyu**, 26231 Carmel St.,
Laguna Hills, Calif. 92636

[**] Term: **14 Years**

[21] Appl. No.: **56,668**

[22] Filed: **Jul. 5, 1996**

Related U.S. Application Data

[63] Continuation-in-part of Ser. No. 378,958, Jan. 26, 1995.

[51] LOC (6) Cl. **19-65**

[52] U.S. Cl. **D19/65; D8/395; D19/86;
D19/91**

[58] Field of Search D8/395, 370, 349,
D8/394, 396; D19/65, 86, 90, 91, 99, 100;
24/67 R, 67.1, 67.11, 545, 546, 547, 552,
DIG. 8, DIG. 9, DIG. 10

[56] **References Cited**

U.S. PATENT DOCUMENTS

D. 316,110 4/1991 Lorber D19/65
D. 371,390 7/1996 Johnson D8/395

587,034 7/1897 Dougall 24/552 X
1,488,383 3/1924 Crow 24/547
3,308,784 3/1967 Miller 24/547 X
3,348,271 10/1967 Miller 24/67.9
4,932,680 6/1990 Rivera 24/546 X

FOREIGN PATENT DOCUMENTS

023189 8/1903 United Kingdom 24/261

Primary Examiner—Martie Thompson

Attorney, Agent, or Firm—Gene Scott-Patent Law &
Venture Group

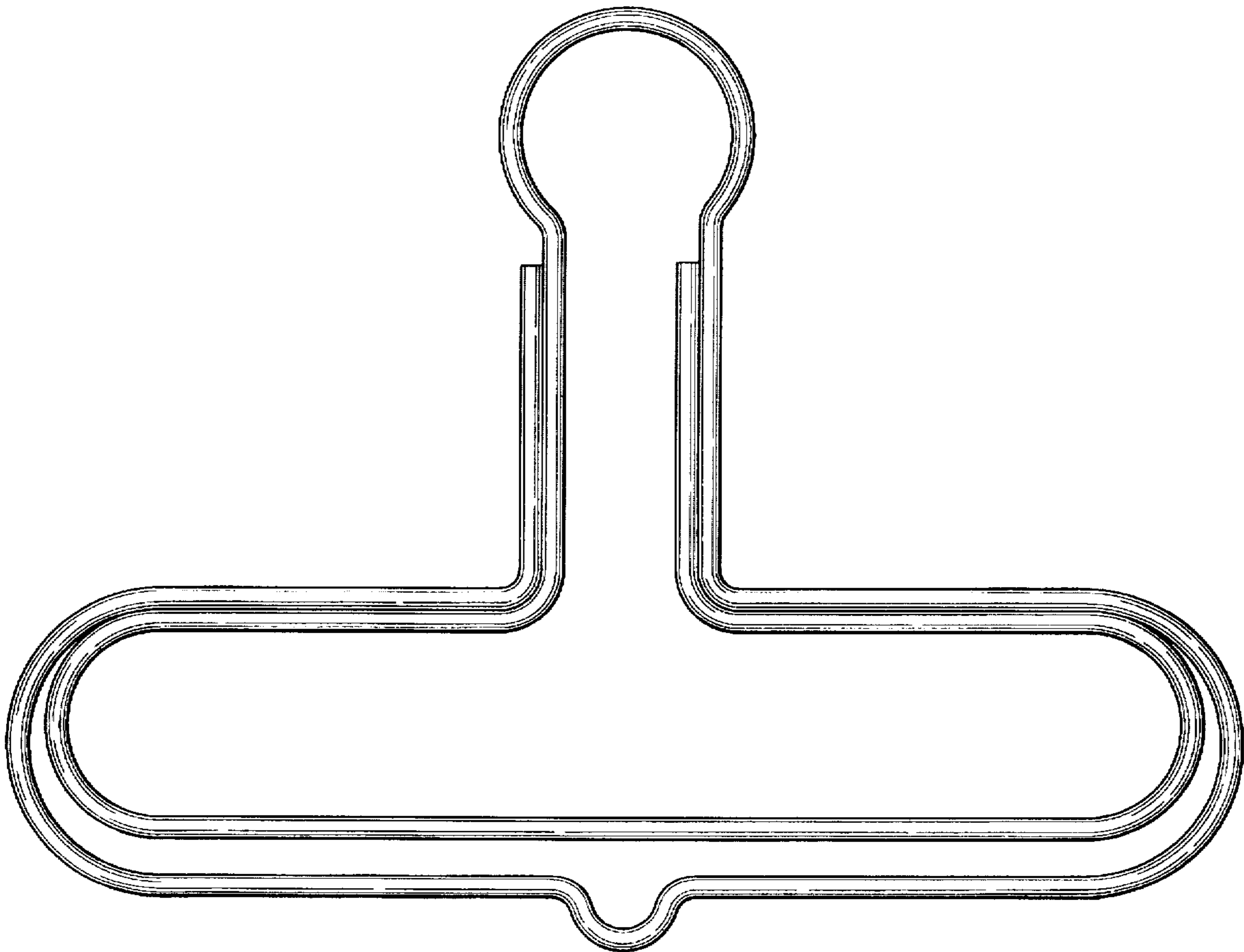
[57] **CLAIM**

The ornamental design for a paper clip with T-shaped end,
as shown and described.

DESCRIPTION

FIG. 1 is a front elevational view of a paper clip with
T-shaped end, showing my new design, the rear elevational
view being a mirror image thereof;
FIG. 2 is a left side elevational view thereof;
FIG. 3 is a right side elevational view thereof;
FIG. 4 is a top plan view thereof; and,
FIG. 5 is a bottom plan view thereof.

1 Claim, 3 Drawing Sheets



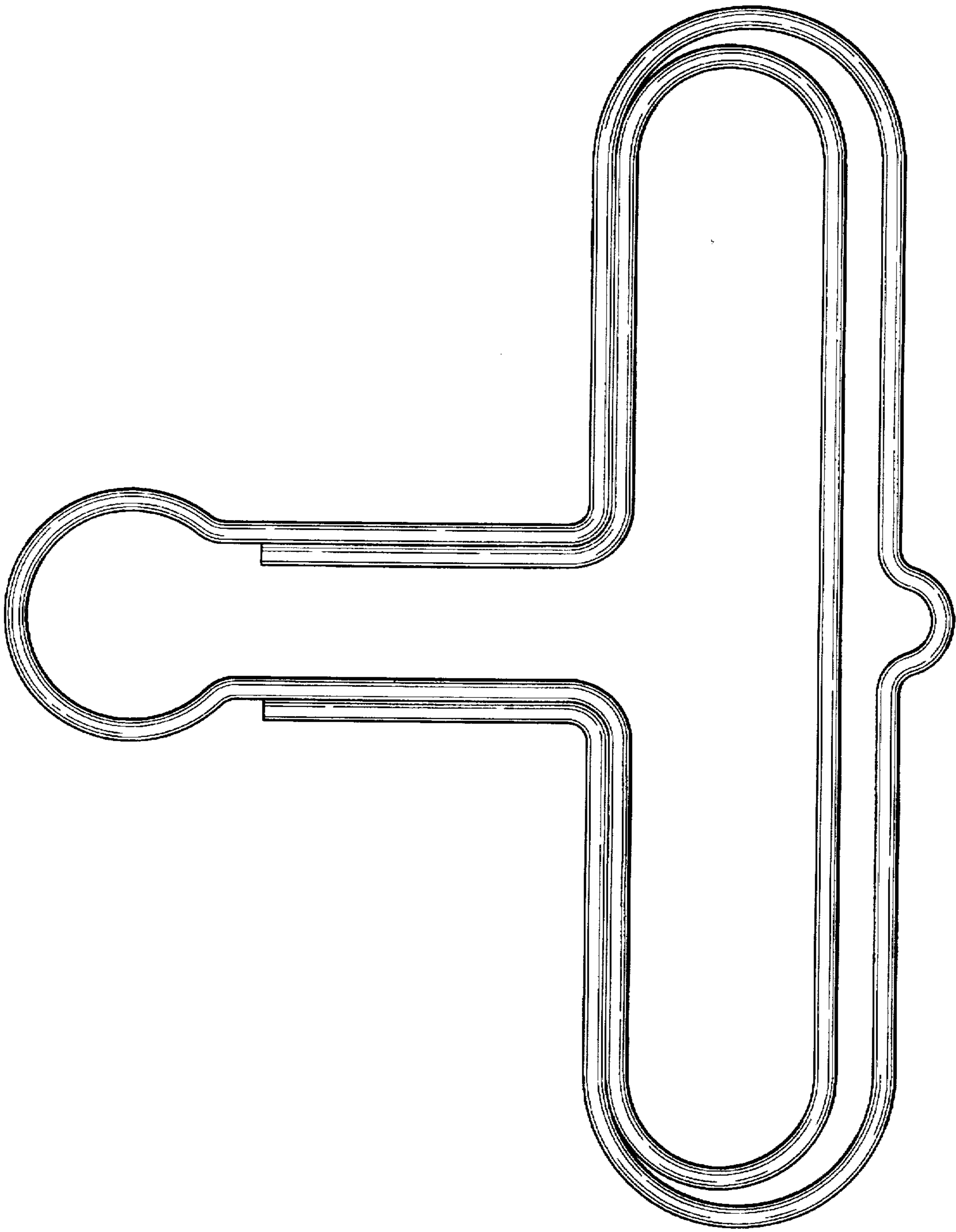


FIG. 1

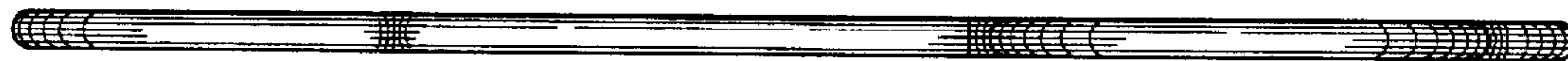


FIG. 3

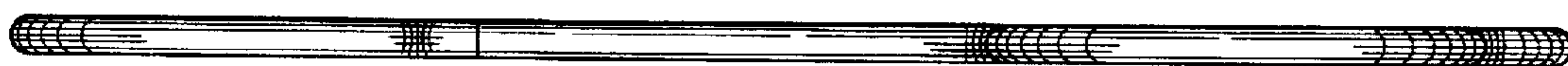


FIG. 2



FIG. 4



FIG. 5