

US00D383775S

United States Patent [19]

[11] Patent Number: **Des. 383,775**

Watson et al.

[45] Date of Patent: ****Sep. 16, 1997**

[54] INK RIBBON CASSETTE

D. 205,807	9/1966	Yamamura	D14/121
D. 333,482	2/1993	Laurent	D18/12
D. 357,696	4/1995	Lucas et al.	D18/12

[75] Inventors: **Peter John Watson, Rayleigh; Craig Ronald King, Haddenham, near Ely, both of United Kingdom**

Primary Examiner—Caron D. Veynar
Attorney, Agent, or Firm—Shoemaker and Mattare, Ltd

[73] Assignee: **Neopost Limited, Essex, United Kingdom**

[57] CLAIM

[**] Term: **14 Years**

The ornamental design for an ink ribbon cassette, as shown and described.

[21] Appl. No.: **53,494**

[22] Filed: **Apr. 23, 1996**

DESCRIPTION

[30] Foreign Application Priority Data

Nov. 17, 1995 [GB] United Kingdom 2052080

FIG. 1 is a front view of an ink ribbon cassette showing our new design, the rear view being a mirror image thereof;

[51] LOC (6) Cl. **18-01**

FIG. 2 is a top plan view thereof;

[52] U.S. Cl. **D18/12; D14/121**

FIG. 3 is a side view, the opposite side view being a mirror image thereof; and,

[58] Field of Search D18/12, 56; D14/121; 400/191, 194-196.1, 207, 208, 242

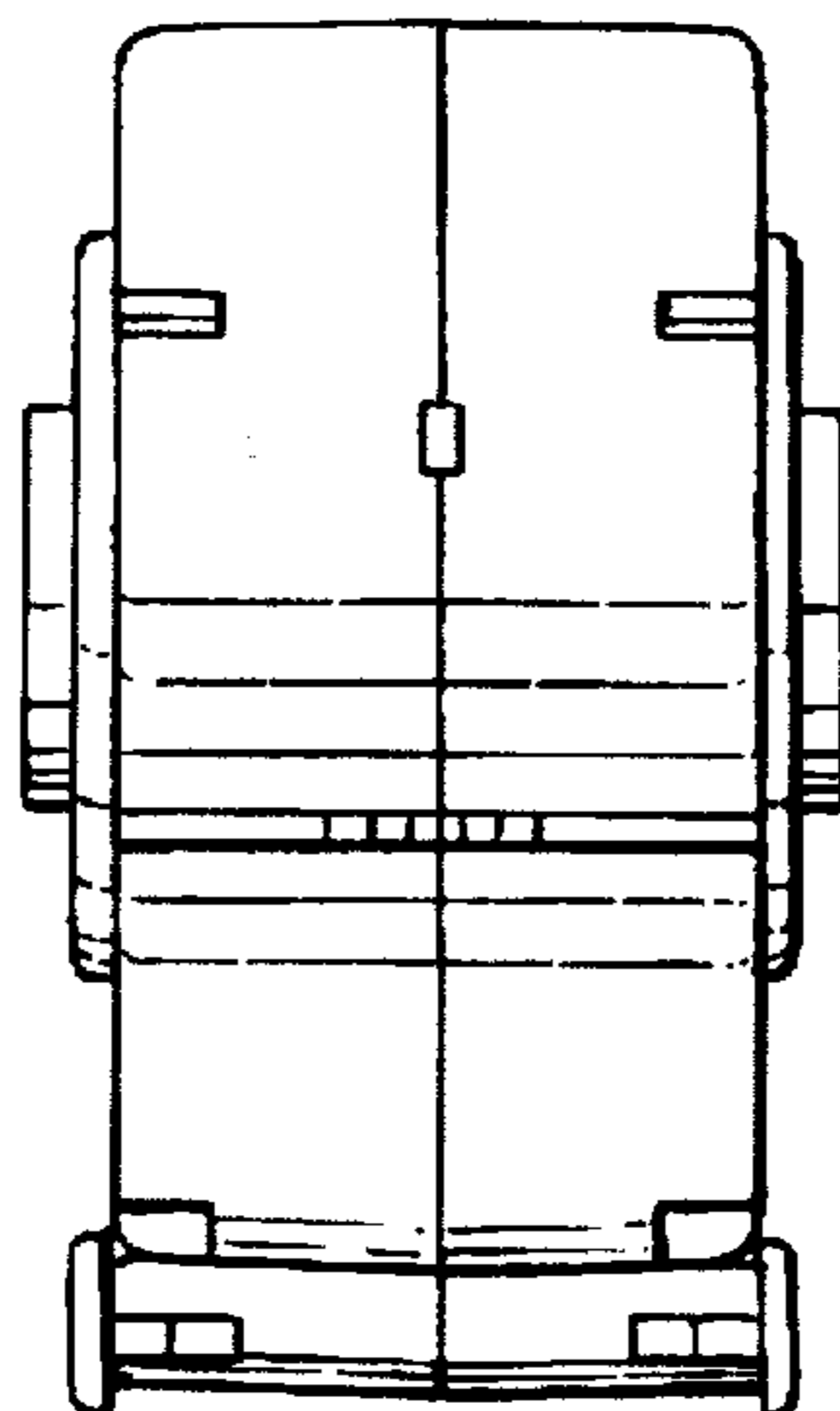
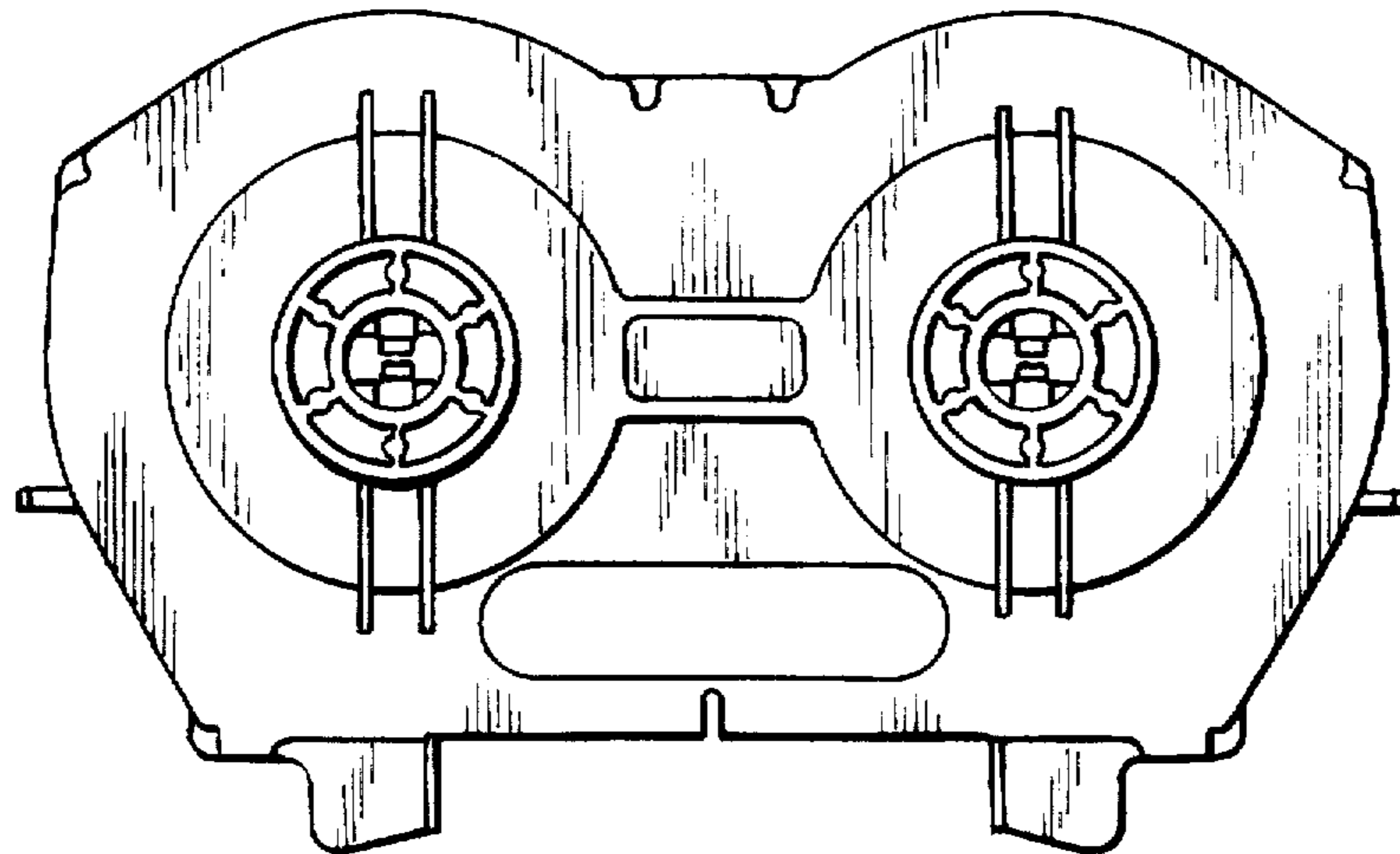
FIG. 4 is an underneath view thereof.

[56] References Cited

U.S. PATENT DOCUMENTS

D. 188,725 8/1960 Wren D14/121

1 Claim, 2 Drawing Sheets



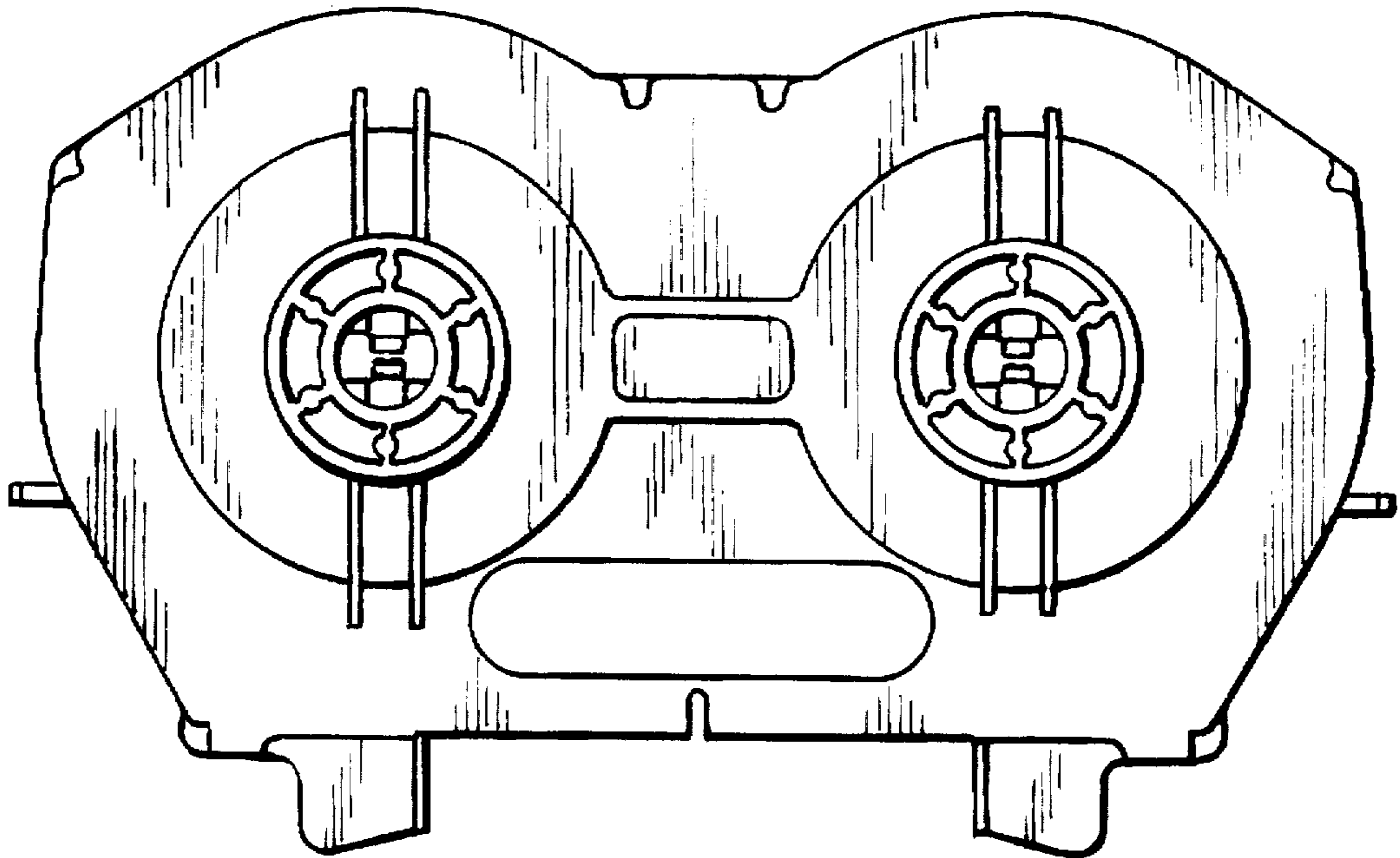


FIG. 1

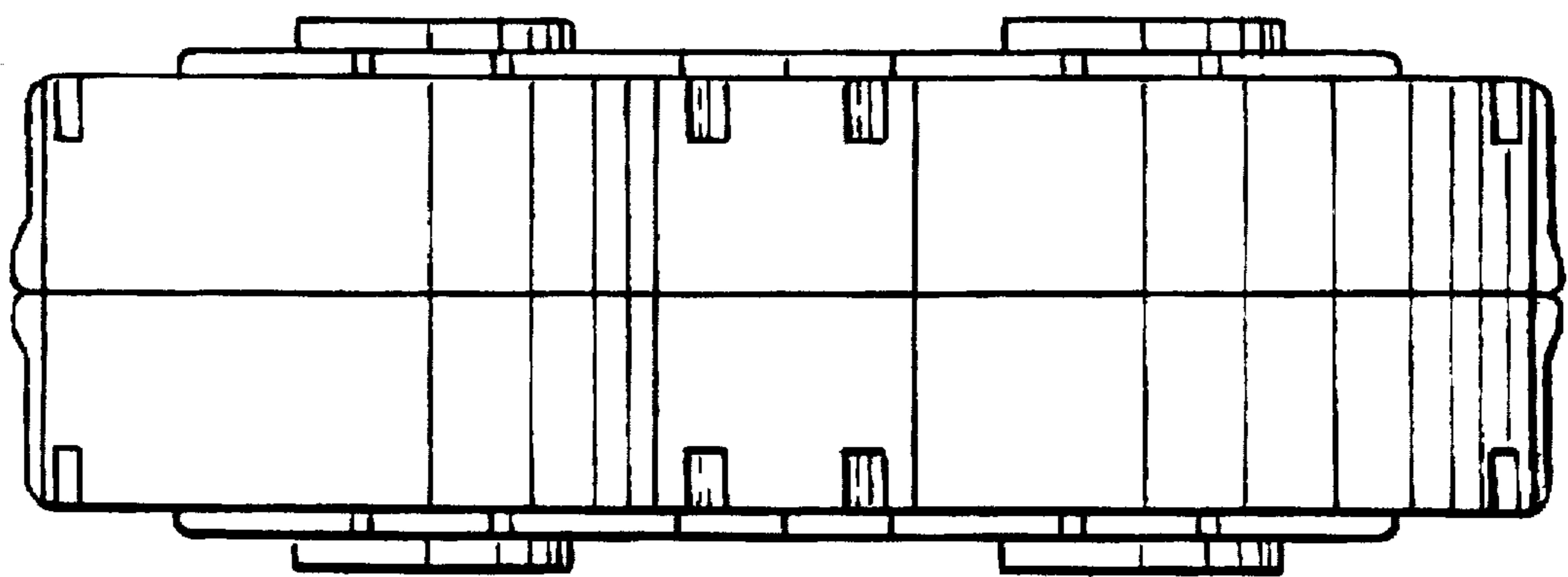


FIG. 2

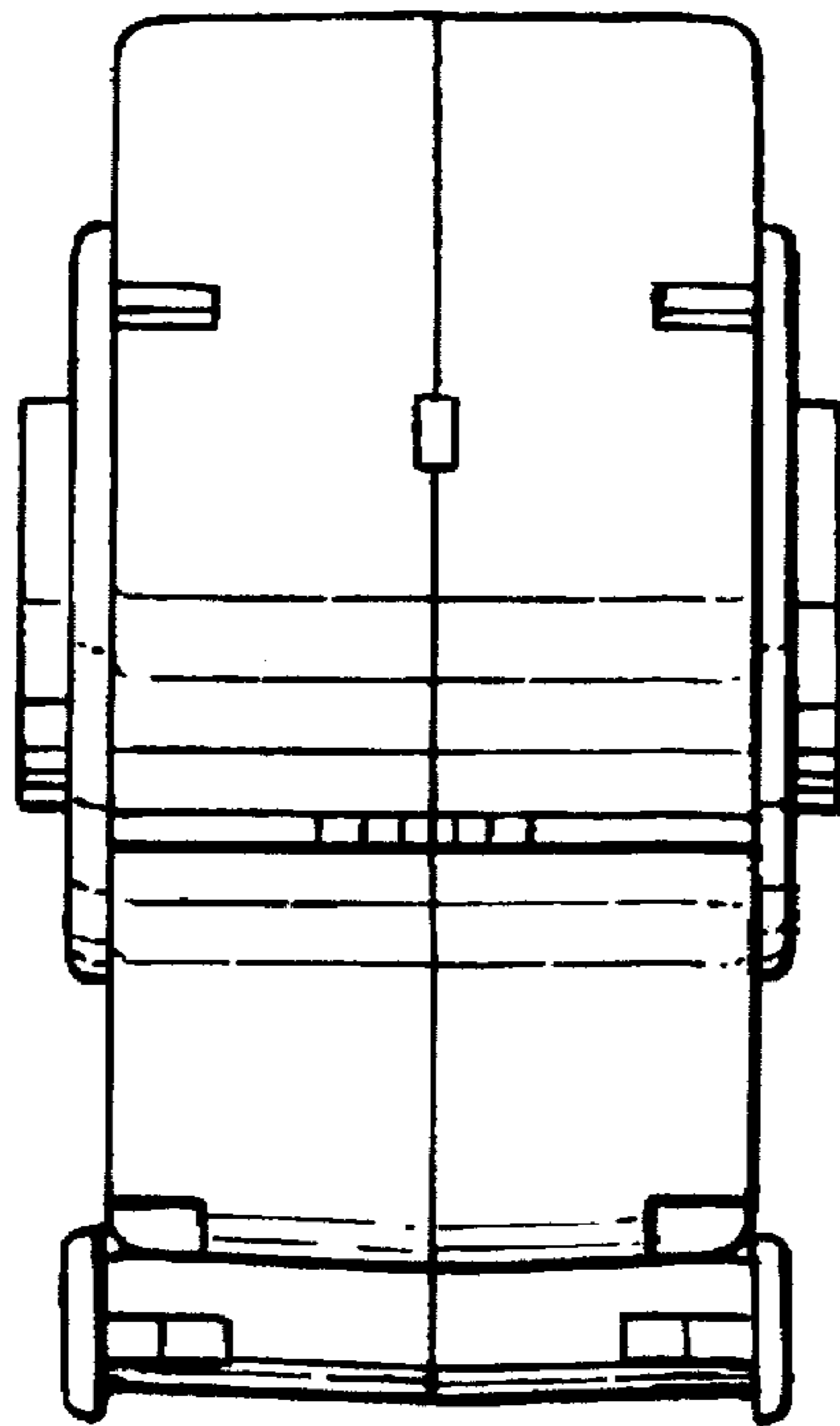


FIG. 3

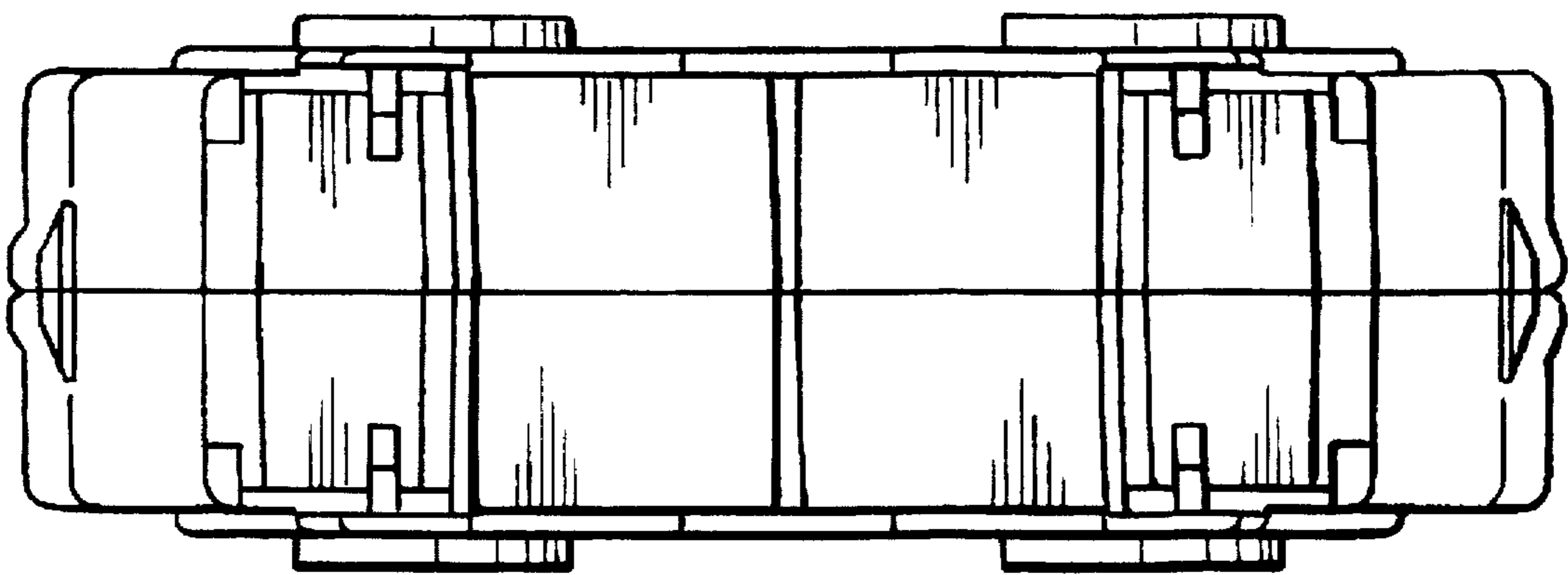


FIG. 4