



US00D383767S

United States Patent [19]

Sung et al.

[11] Patent Number: **Des. 383,767**

[45] Date of Patent: ****Sep. 16, 1997**

[54] CAMCORDER

[75] Inventors: **Chang Kyung Sung**, Kyungki-do;
Hyun Chul Choi, Seoul, both of Rep.
of Korea

[73] Assignee: **Samsung Electronics Co., Ltd.**,
Suwon, Japan

[**] Term: **14 Years**

[21] Appl. No.: **51,225**

[22] Filed: **Mar. 6, 1996**

[30] Foreign Application Priority Data

Dec. 21, 1995 [KR] Rep. of Korea 1995-25320

[51] LOC (6) Cl. **16-01**

[52] U.S. Cl. **D16/202**

[58] Field of Search D16/200-205,
D16/208, 217; 348/373-376, 143; 352/34,
242; 354/82, 64, 288

[56] References Cited

U.S. PATENT DOCUMENTS

D. 288,811	3/1987	Kurokawa et al.	D16/202
D. 294,570	3/1988	Kurokawa et al.	D16/202
D. 316,556	4/1991	Reddig et al.	D16/217
D. 322,266	12/1991	Ichiyoshi	D16/202
D. 331,767	12/1992	Yoshida	D16/202
D. 342,083	12/1993	Kondoh	D16/202
D. 342,540	12/1993	Mori et al.	D16/202
D. 347,236	5/1994	Ooi et al.	D16/202
D. 349,908	8/1994	Miyahara	D16/202
D. 356,325	3/1995	Sogabe	D16/202
D. 356,327	3/1995	Mouri	D16/202

D. 356,588	3/1995	Kataoka	D16/202
D. 356,806	3/1995	Kim	D16/202
D. 368,105	3/1996	Takahashi et al.	D16/202
5,162,915	11/1992	Idera et al.	358/224
5,258,880	11/1993	Takahashi	358/906
5,347,307	9/1994	Tanaka et al.	348/374

FOREIGN PATENT DOCUMENTS

3-108879	5/1991	Japan .
3-249880	11/1991	Japan .

OTHER PUBLICATIONS

"Choosing the Right Camcorder is as Easy as JVC." Popular Photography, Nov. 1988, p. 44, (JVC'S GR-A30U Camera). Canon Product Catalog, 1989, p. 5 (E80 8mm Camcorder). Video Magazine, Jun. 1992, p. 97 (Richo's Camcorders).

Primary Examiner—Sandra L. Morris
Assistant Examiner—Adir Aronovich
Attorney, Agent, or Firm—Flynn, Thiel, Boutell & Tanis, P.C.

[57] CLAIM

The ornamental design for a camcorder, as shown and described.

DESCRIPTION

FIG. 1 is a perspective view of a camcorder according to the present invention;
FIG. 2 is a top view thereof;
FIG. 3 is a bottom view thereof;
FIG. 4 is a front elevational view thereof;
FIG. 5 is a rear elevational view thereof;
FIG. 6 is a left-side elevational view thereof; and,
FIG. 7 is a right-side elevational view thereof.

1 Claim, 4 Drawing Sheets

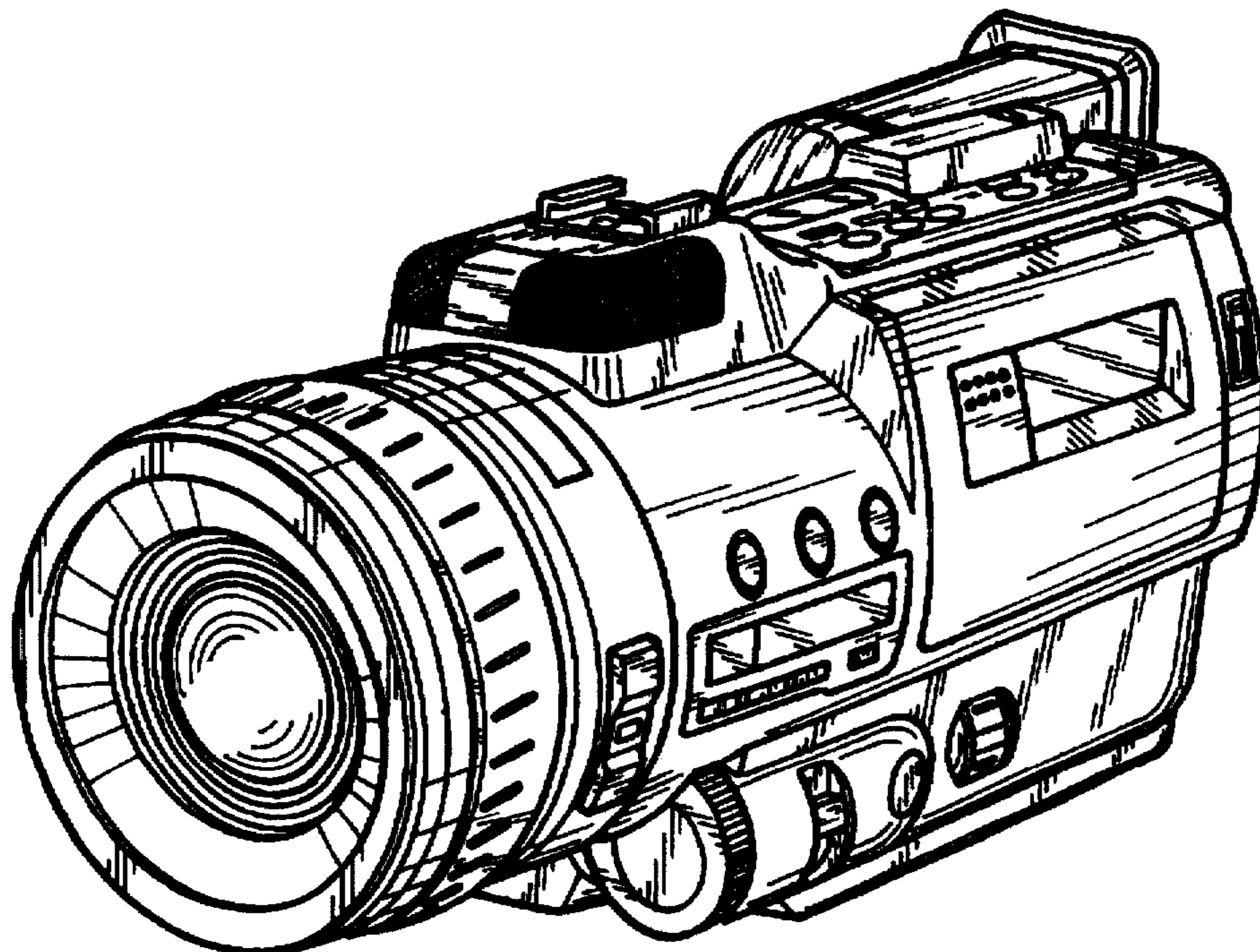


FIG. 1

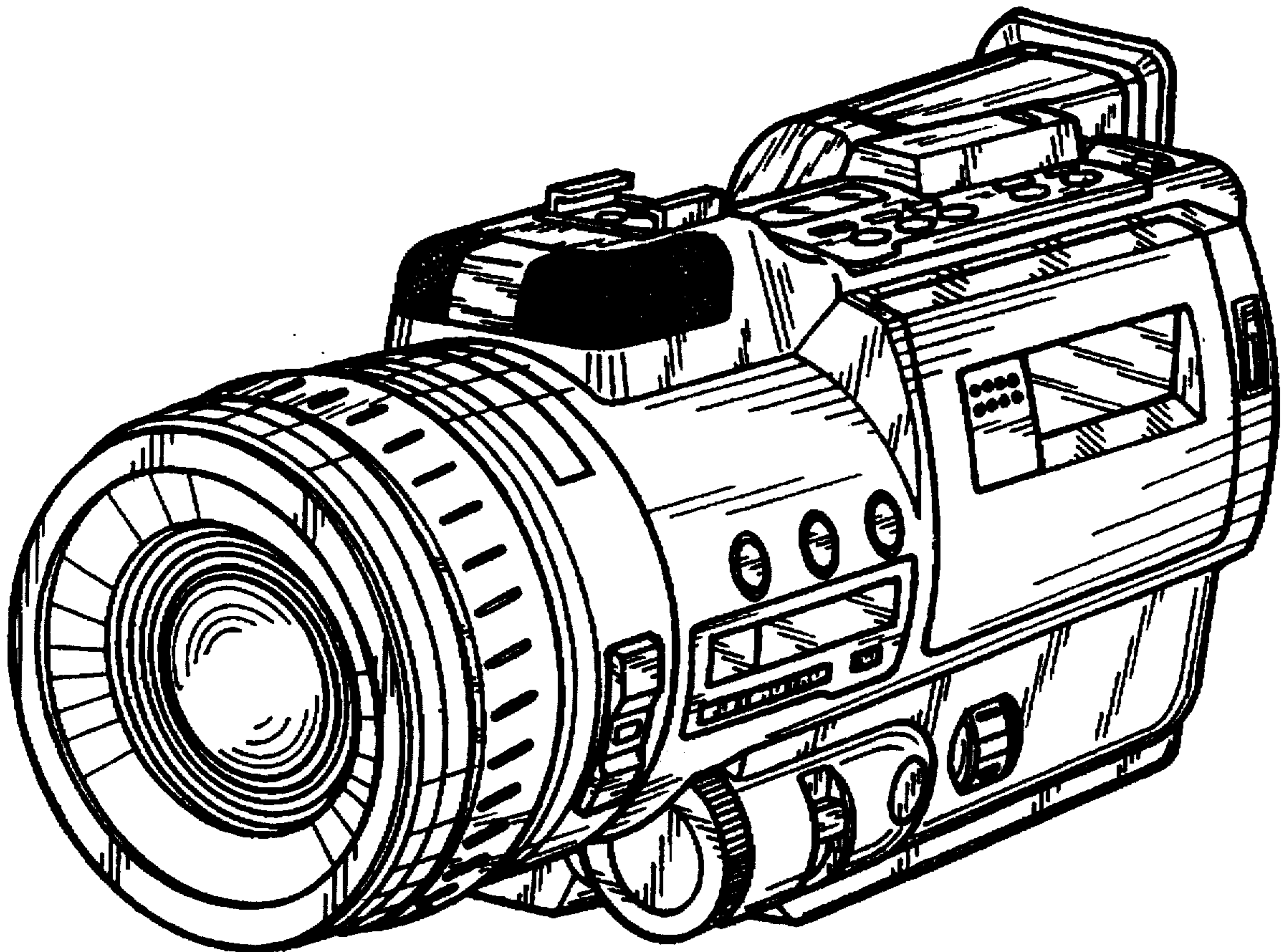


FIG. 2

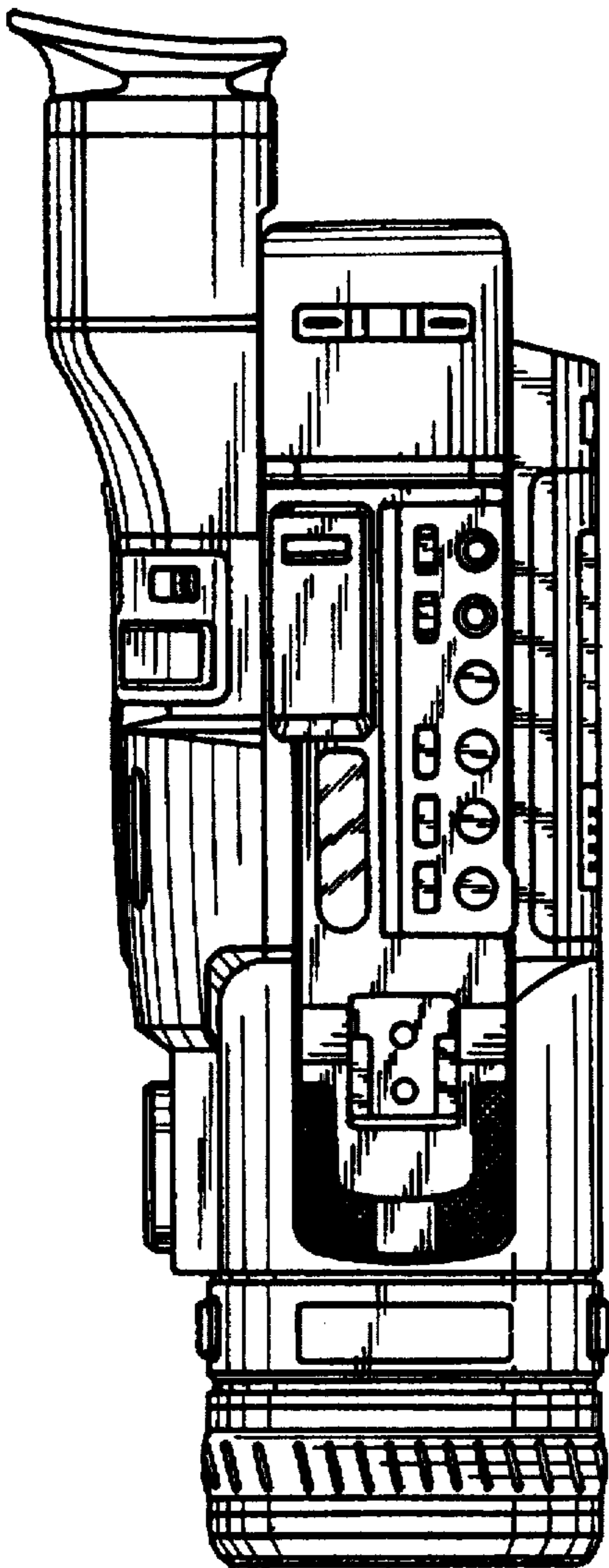


FIG. 3

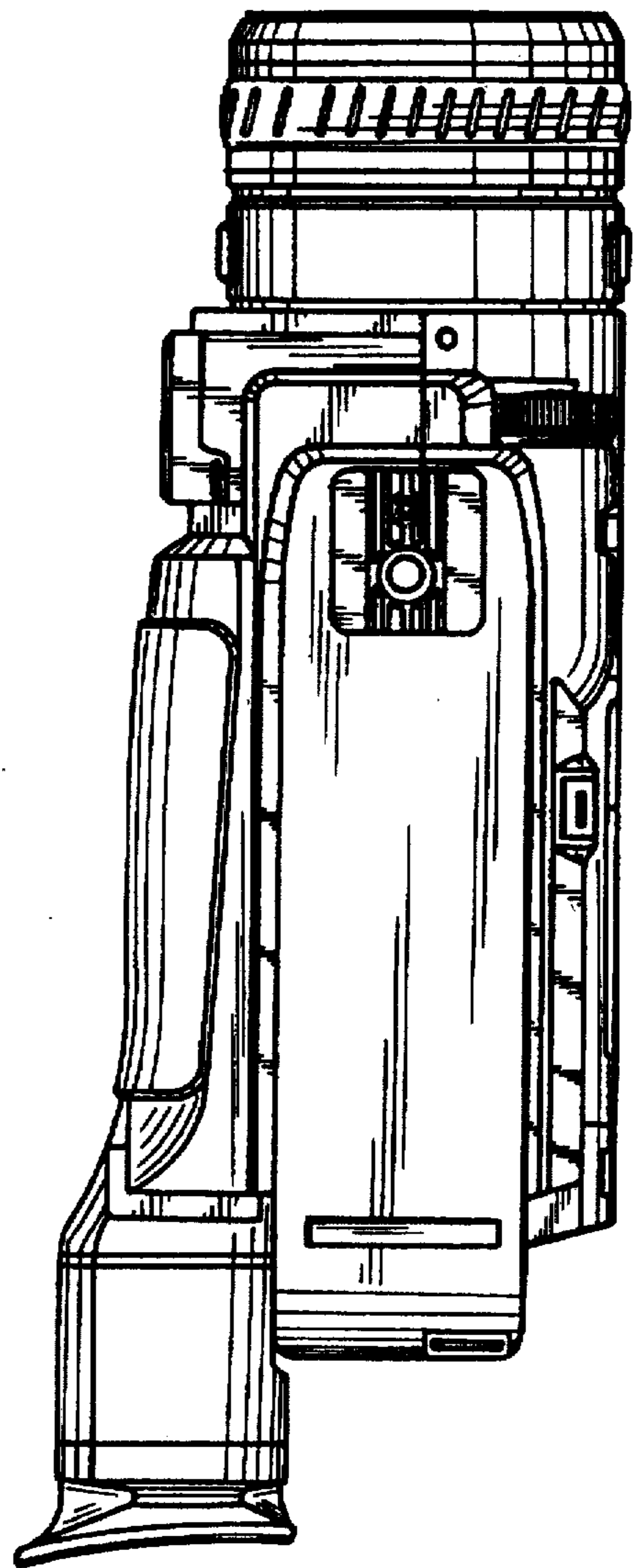


FIG. 4

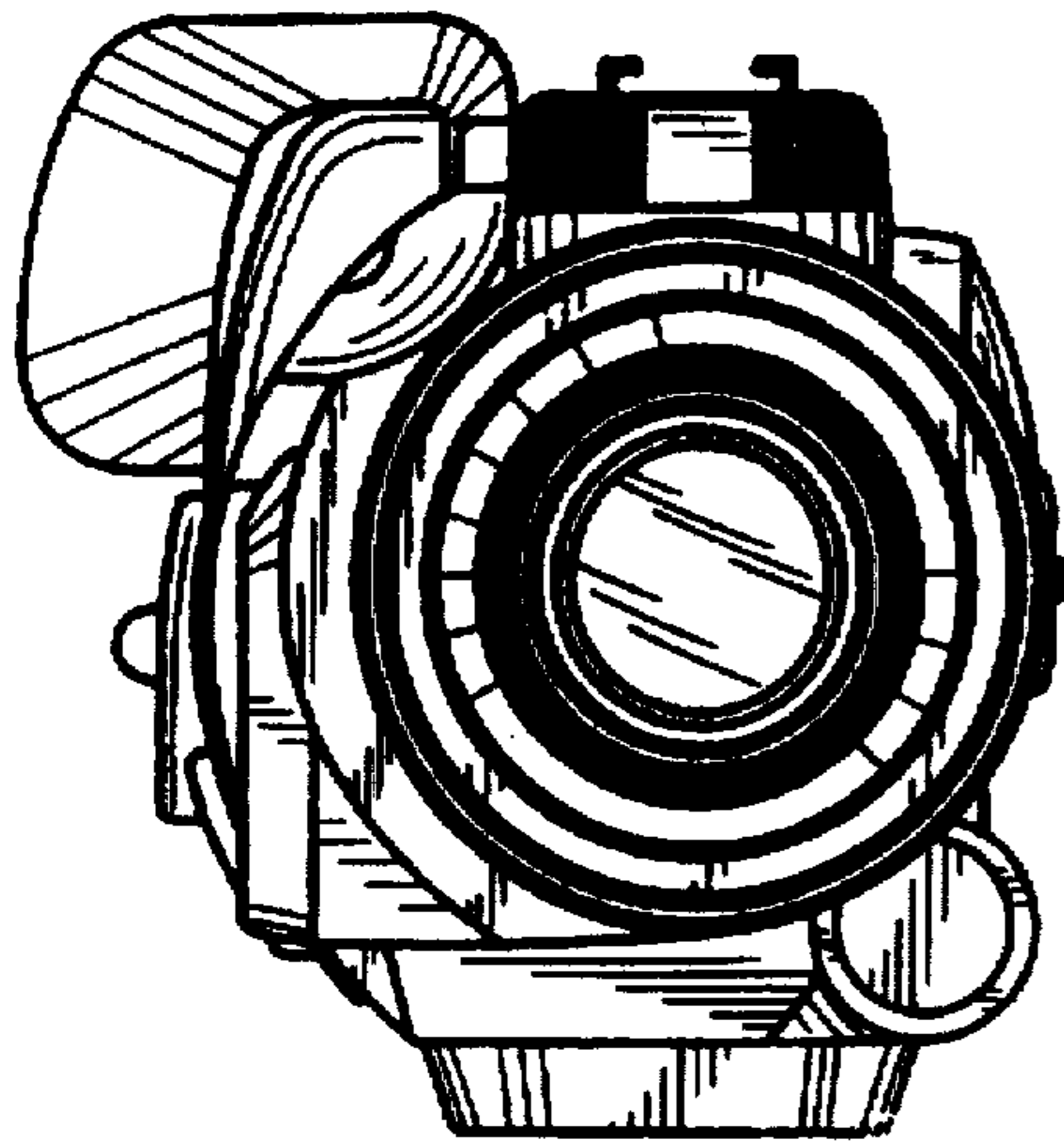


FIG. 5

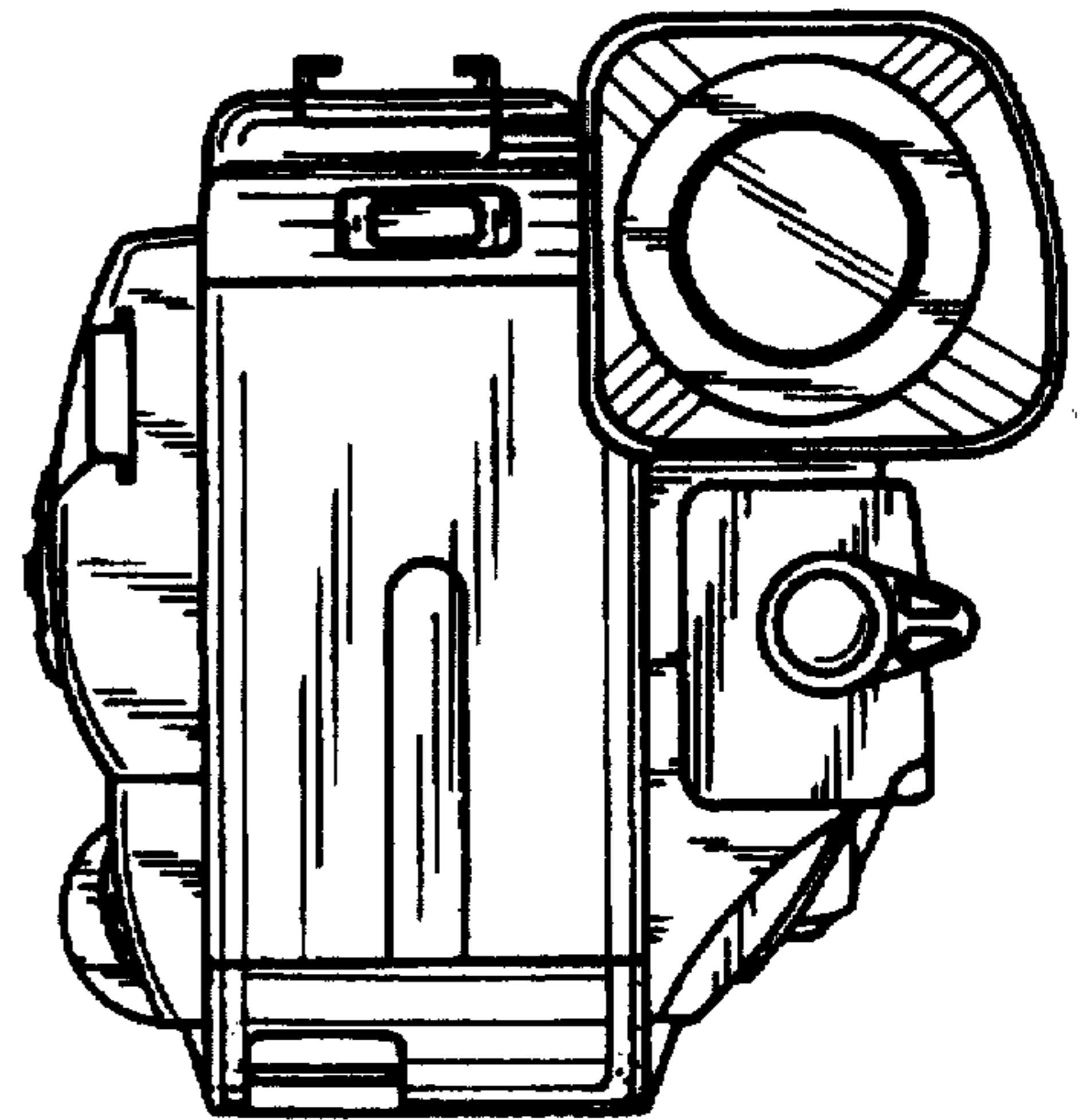


FIG. 6

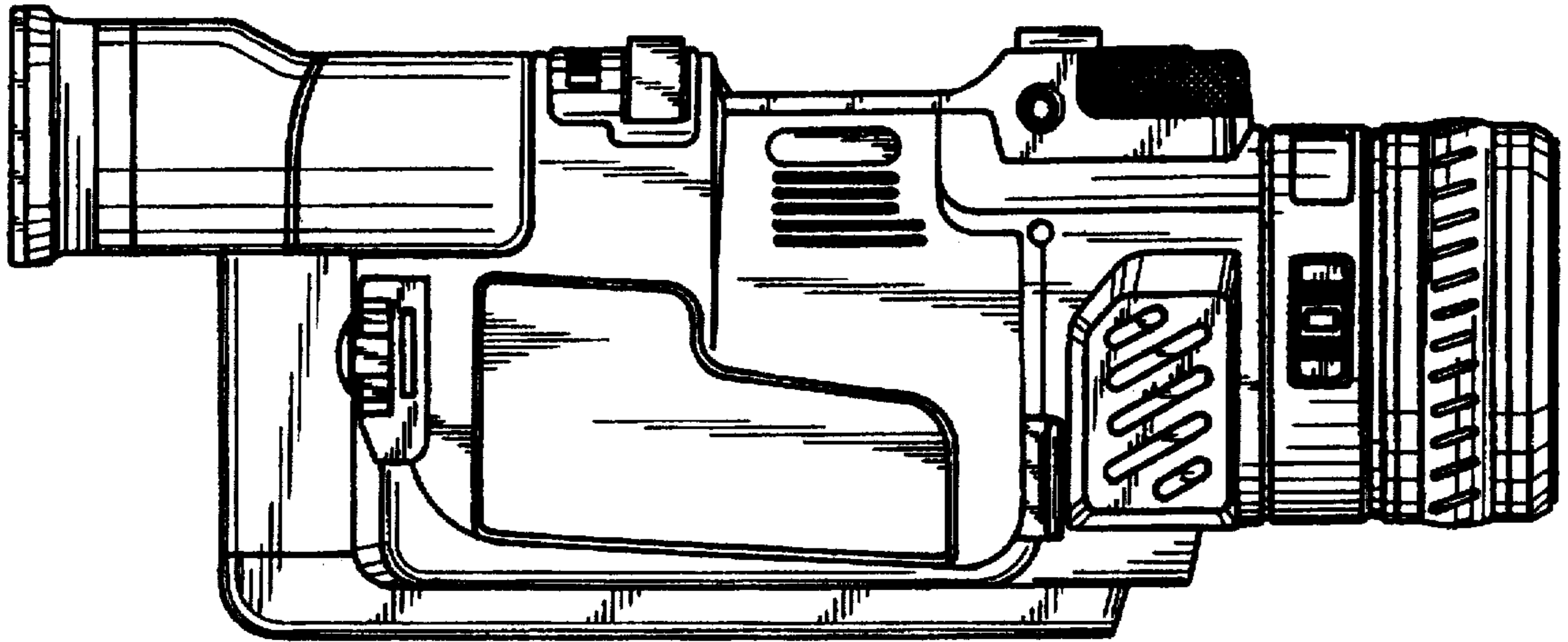


FIG. 7

