



US00D383766S

United States Patent [19]
Yamauchi et al.

[11] **Patent Number: Des. 383,766**
[45] **Date of Patent: **Sep. 16, 1997**

[54] **VIDEO CAMERA**

[75] **Inventors: Toshiyuki Yamauchi; Yoshiki Miyamoto, both of Tokyo, Japan**

[73] **Assignee: Sony Corporation, Tokyo, Japan**

[**] **Term: 14 Years**

[21] **Appl. No.: 47,487**

[22] **Filed: Dec. 5, 1995**

[51] **LOC (6) Cl. 16-01**

[52] **U.S. Cl. D16/202**

[58] **Field of Search D16/200-206; 348/11-20; 354/64, 82, 288; 358/906; 379/53**

[56] **References Cited**

U.S. PATENT DOCUMENTS

D. 363,502	10/1995	MacMurtrie et al.	D16/202
2,906,187	9/1959	Dotson et al.	354/64
3,738,248	6/1973	Fish et al.	354/64
3,860,937	1/1975	Wolfe	354/64

OTHER PUBLICATIONS

Harris Corp. Catalog, 1990 Cover page.

Primary Examiner—Ted Shooman

Assistant Examiner—Adir Aronovich

Attorney, Agent, or Firm—Foley & Lardner

[57] **CLAIM**

The ornamental design for a video camera, as shown and described.

DESCRIPTION

FIG. 1 is a perspective view of a video camera showing my new design;

FIG. 2 is a perspective view thereof in the using condition wherein the cover is opened;

FIG. 3 is a top plan view thereof;

FIG. 4 is a left side elevational view thereof;

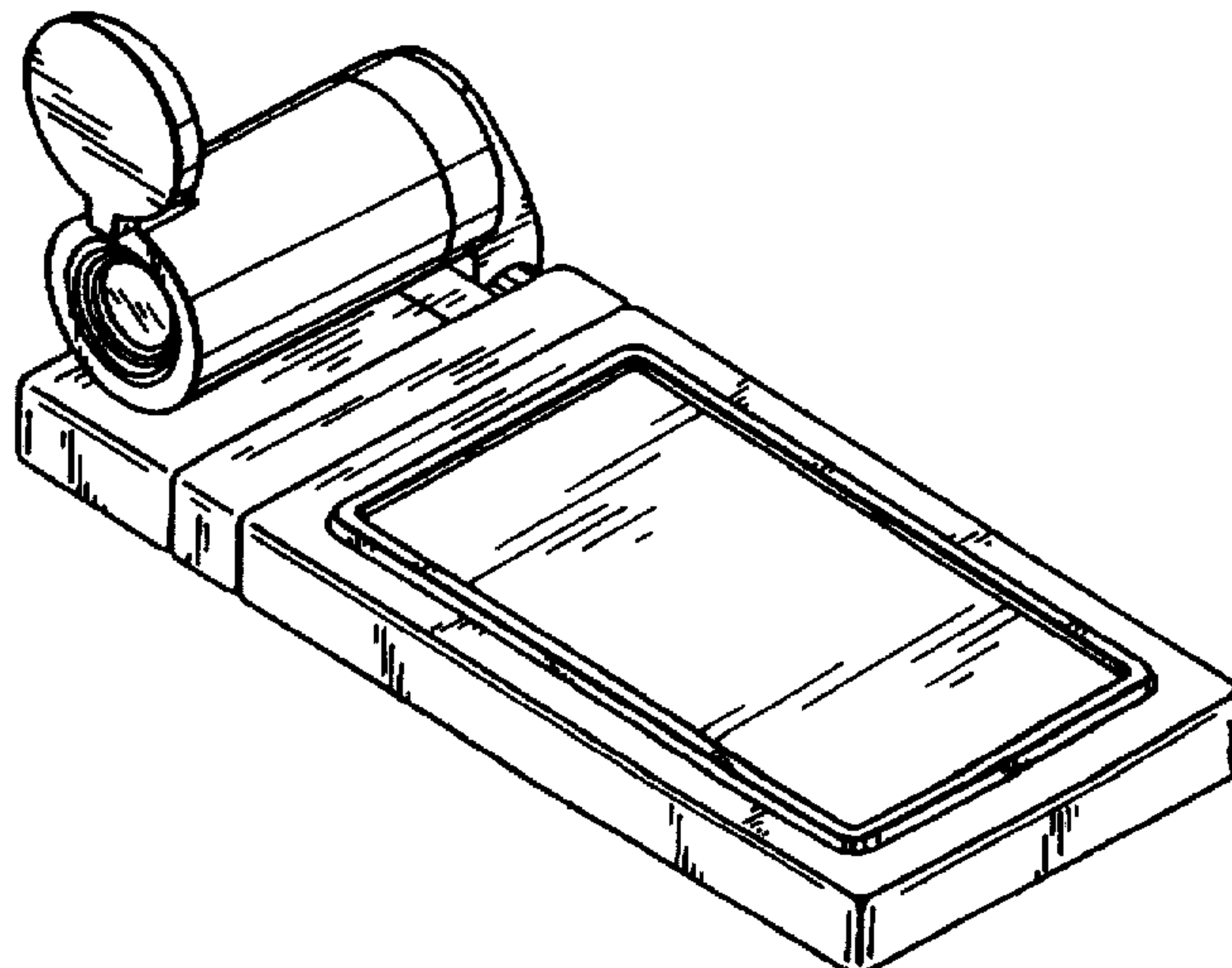
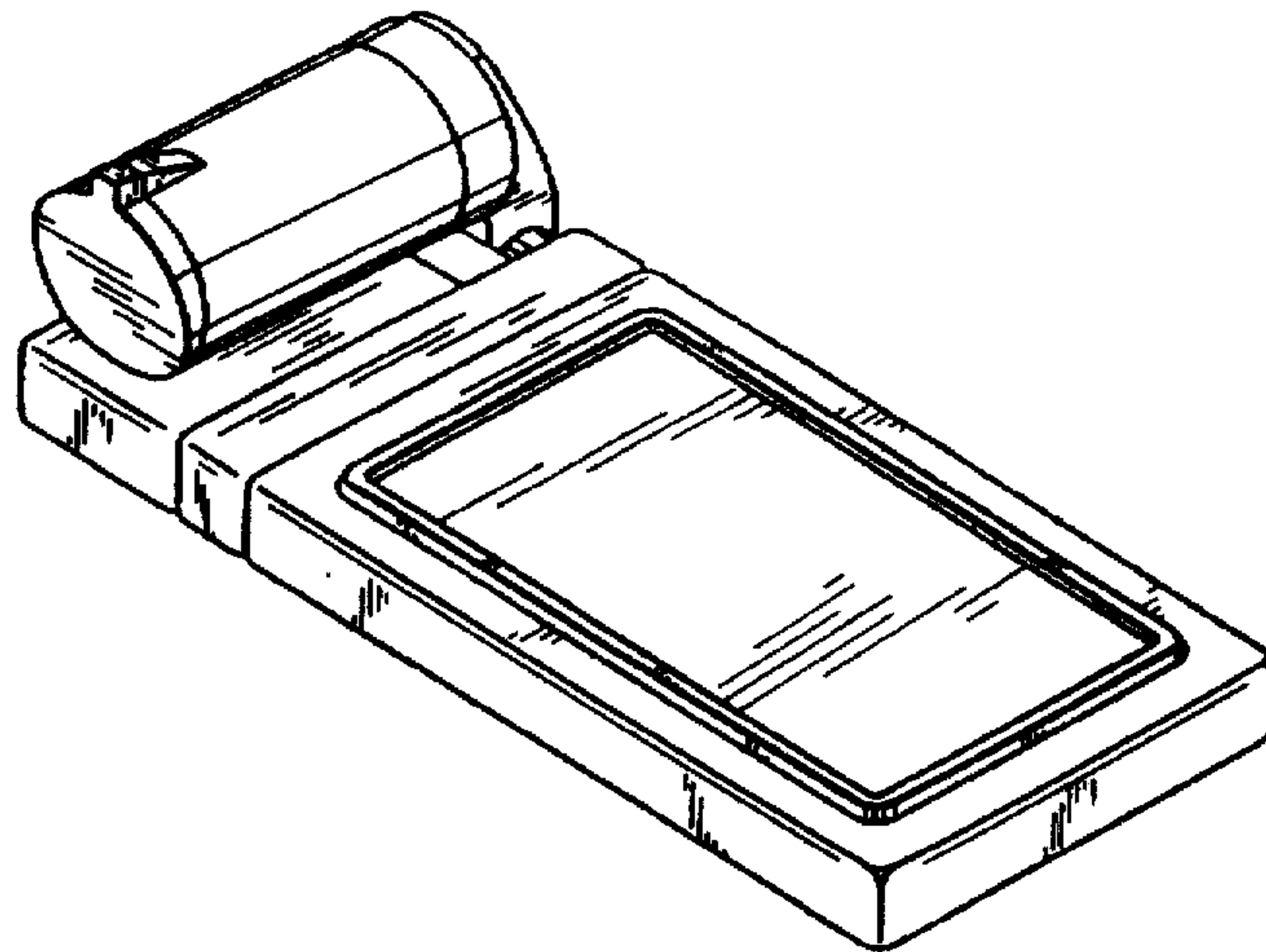
FIG. 5 is a front elevational view thereof;

FIG. 6 is a bottom plan view thereof;

FIG. 7 is a right side elevational view thereof; and,

FIG. 8 is a rear elevational view thereof.

1 Claim, 3 Drawing Sheets



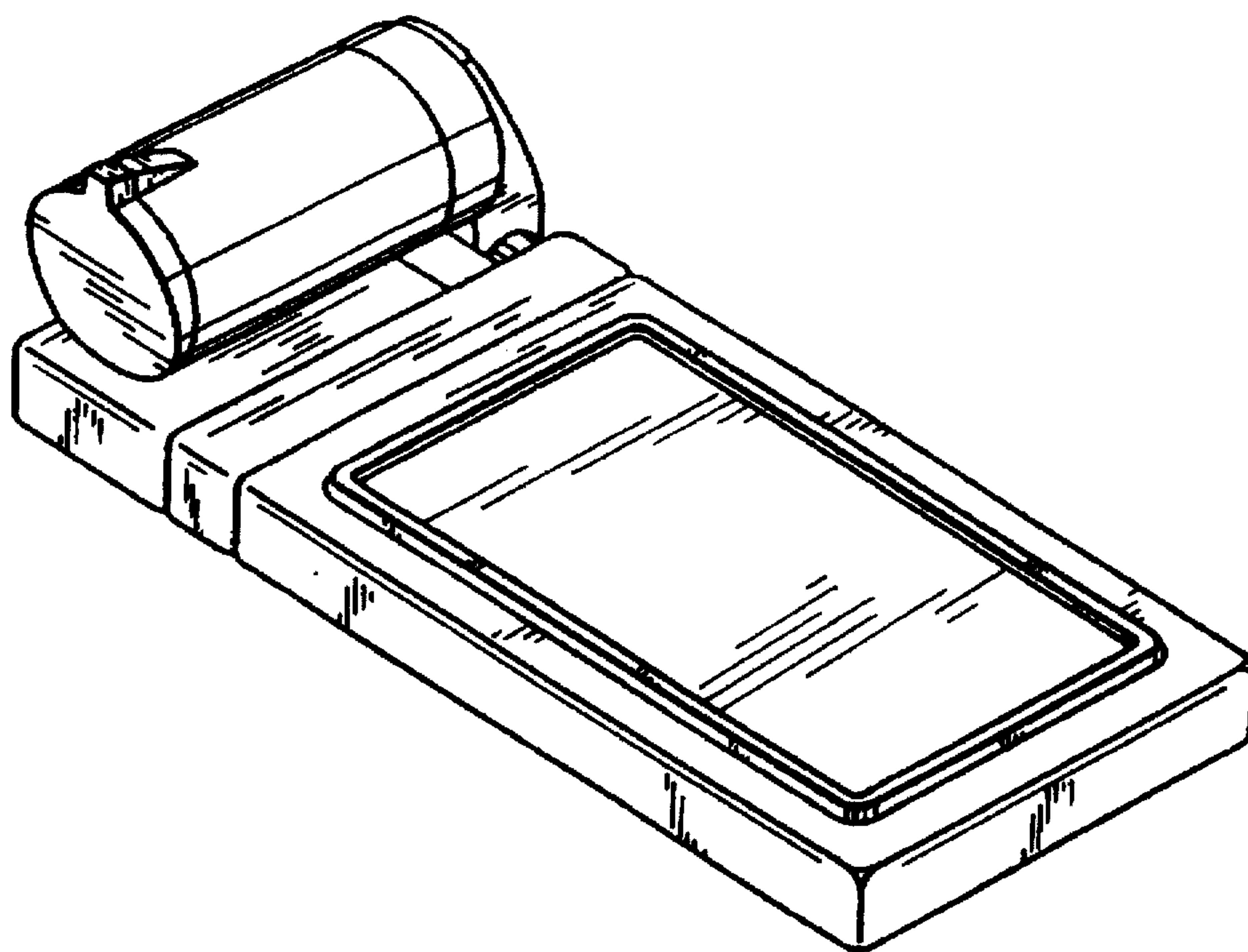


FIG. 1

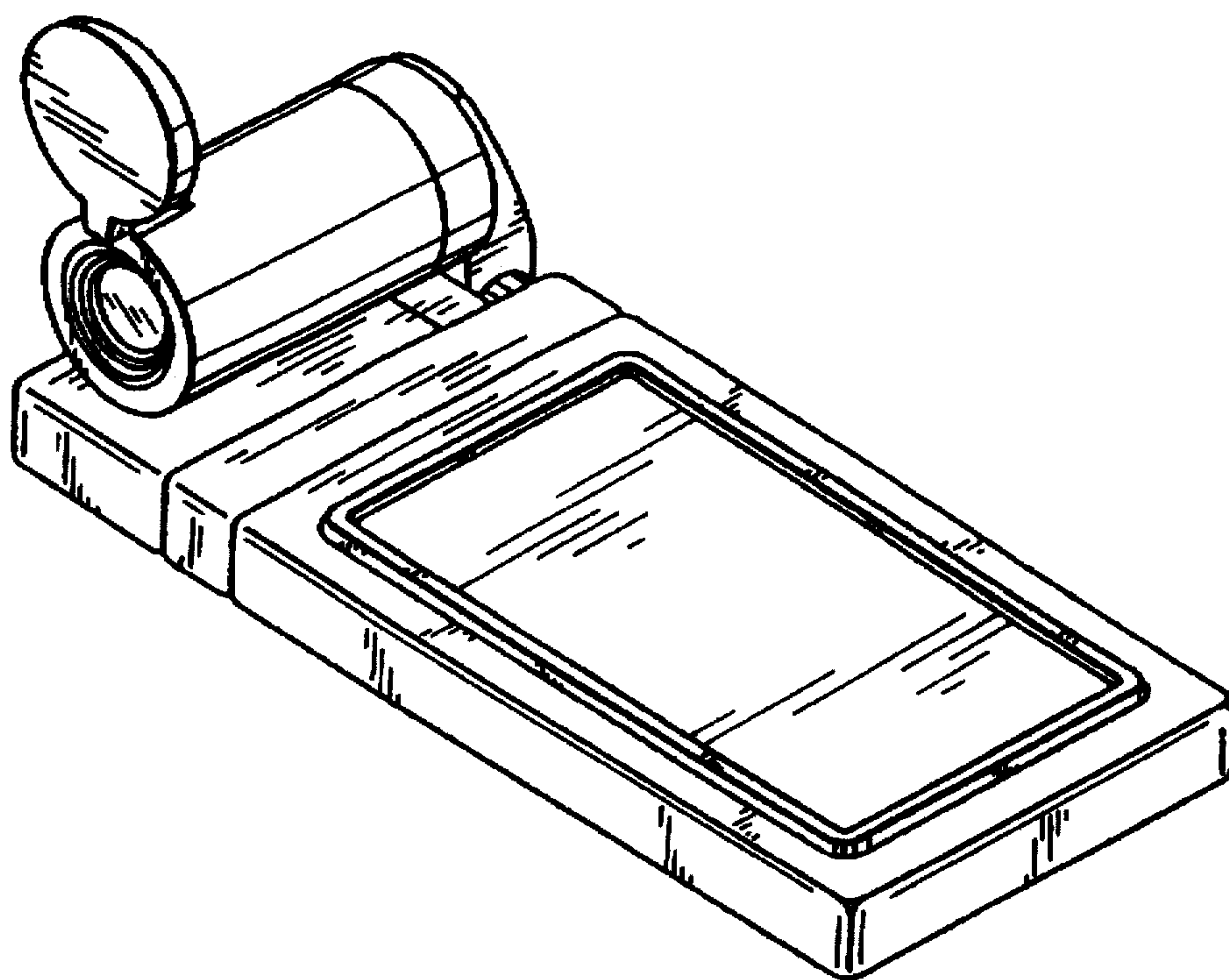


FIG. 2

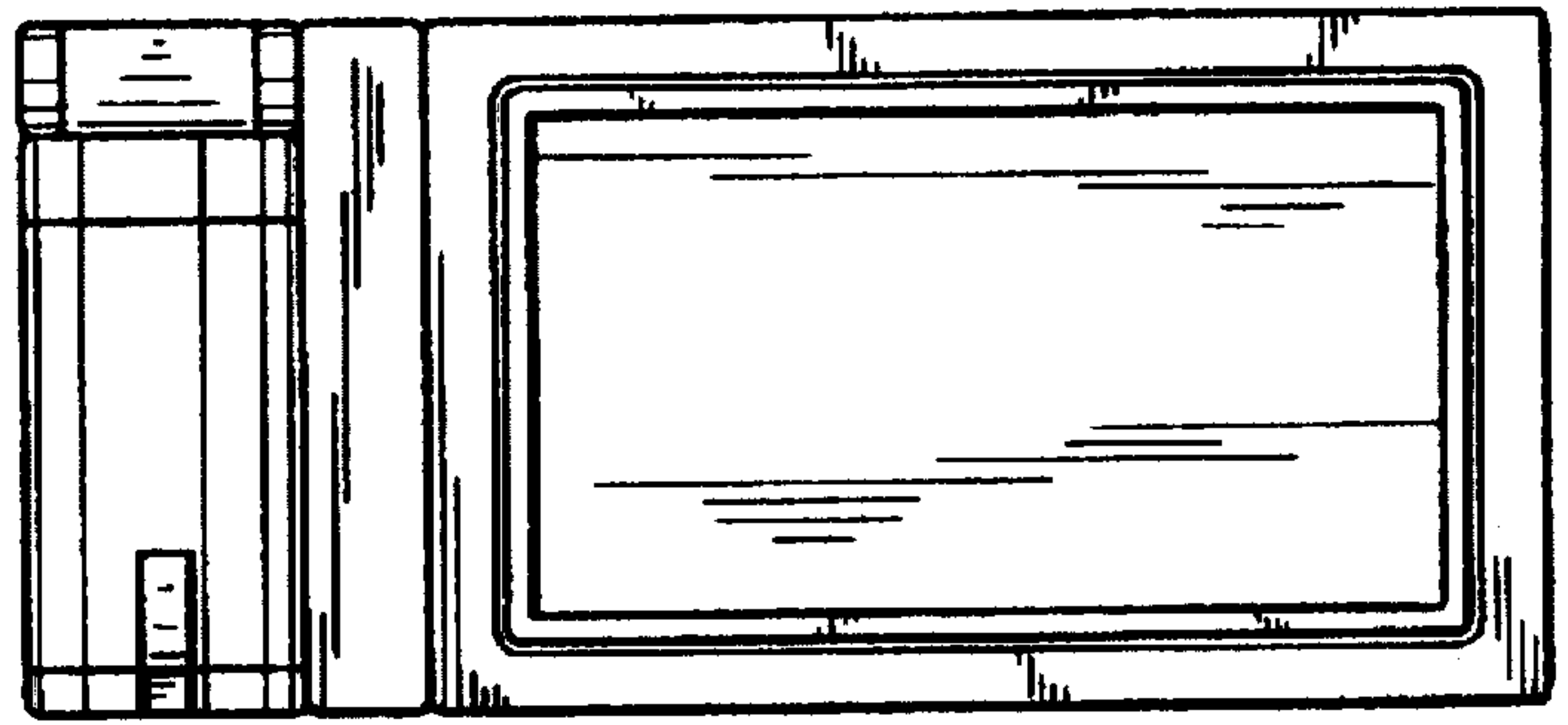


FIG. 3

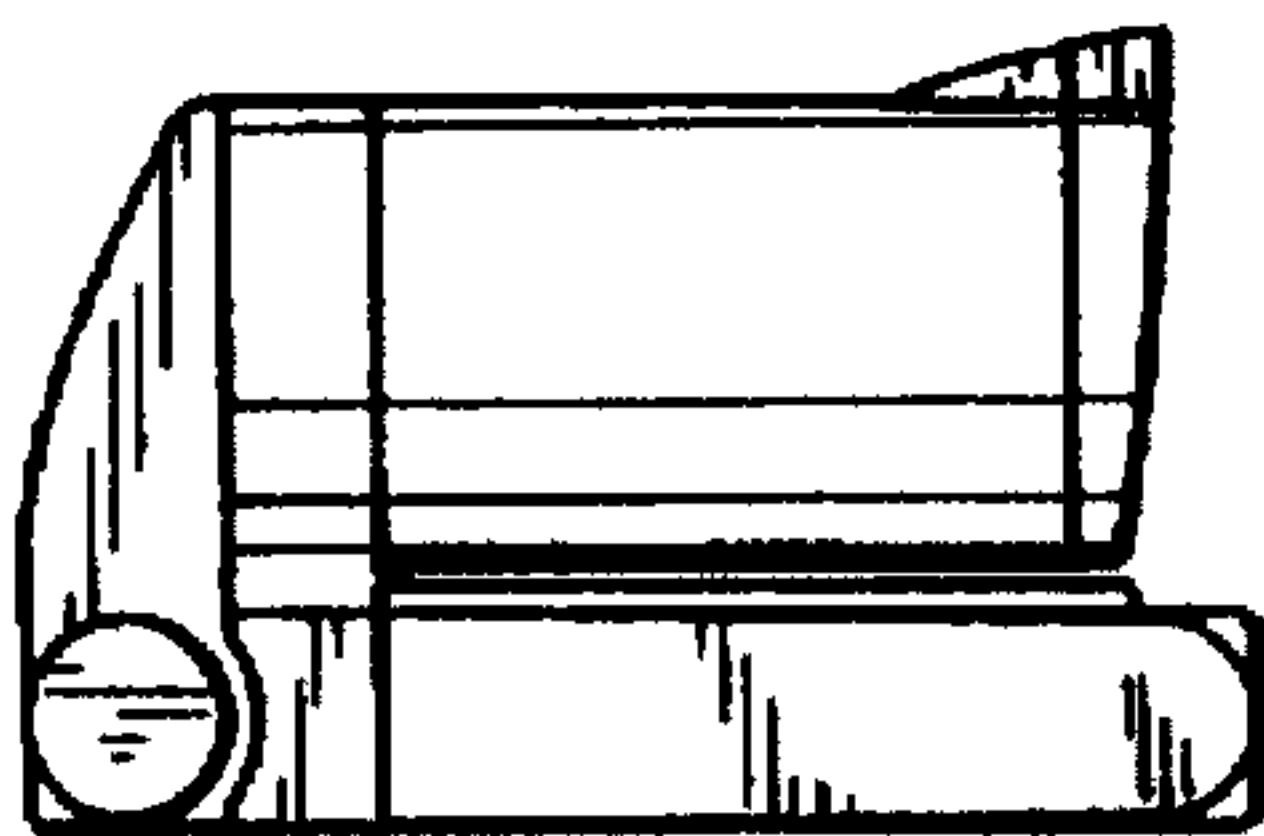


FIG. 4



FIG. 5

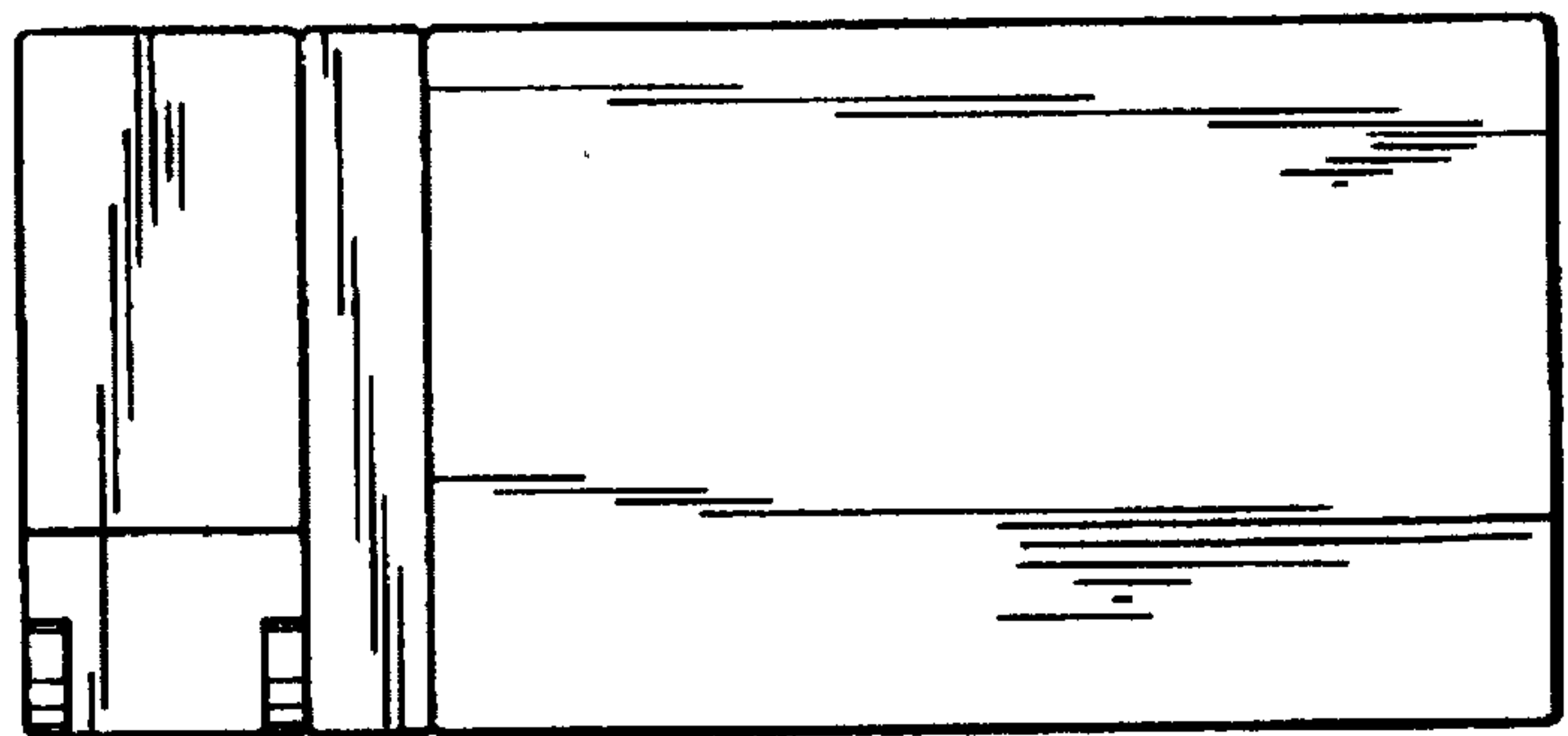


FIG. 6

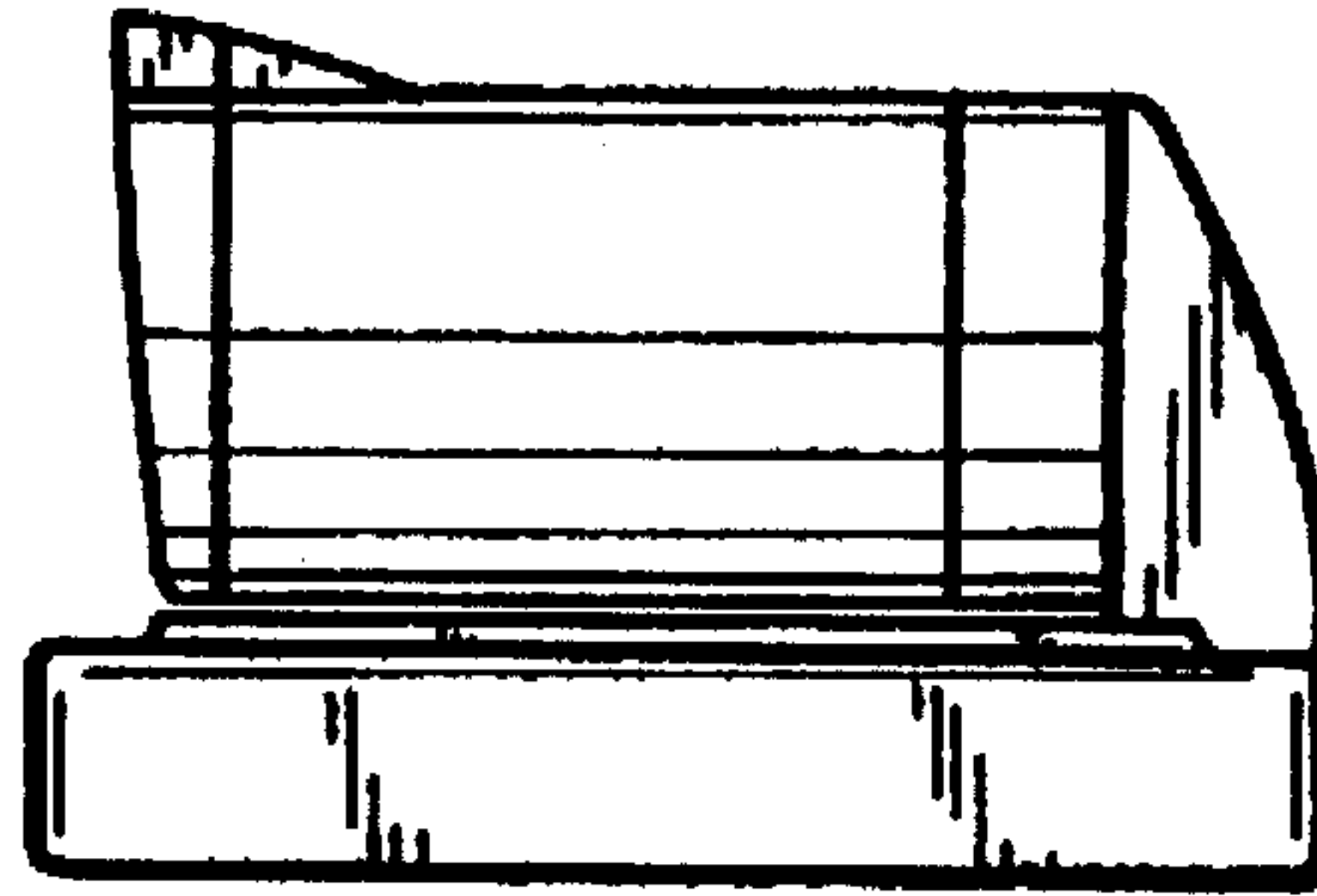


FIG. 7

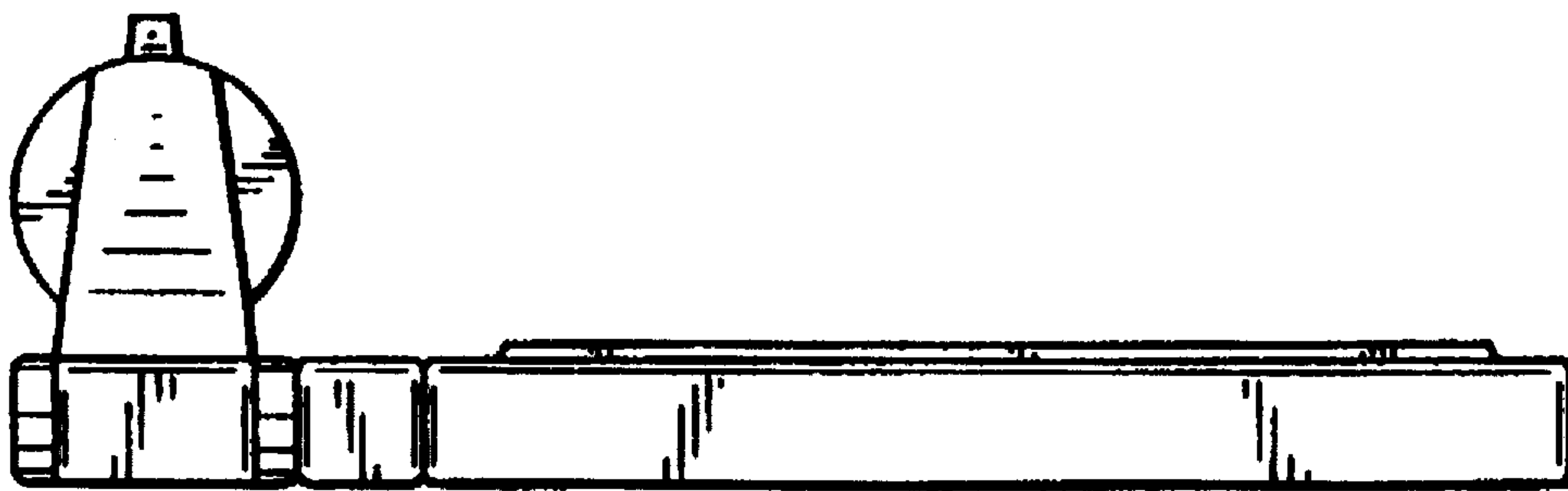


FIG. 8