



US00D383765S

United States Patent [19]

Kani et al.

[11] Patent Number: **Des. 383,765**

[45] Date of Patent: ****Sep. 16, 1997**

[54] MITER SAW

[75] Inventors: **Toshiyuki Kani; Kiyotaka Ichikawa,**
both of Anjo, Japan

[73] Assignee: **Makita Corporation,** Aichi-ken, Japan

[**] Term: **14 Years**

[21] Appl. No.: **56,624**

[22] Filed: **Jul. 3, 1996**

[51] LOC (6) Cl. **15-09**

[52] U.S. Cl. **D15/133**

[58] Field of Search **D15/133; 83/397,**
83/471.1, 471.2, 471.3

D. 352,509 11/1994 Kriaski et al. .
D. 352,948 11/1994 Chang .
5,347,902 9/1994 Brickner et al. 83/471.3 X

FOREIGN PATENT DOCUMENTS

872777 4/1993 Japan .

Primary Examiner—Antoine Duval Davis
Attorney, Agent, or Firm—Dennison, Meserole, Pollack & Scheiner

[57] CLAIM

The ornamental design for a miter saw, as shown and described.

DESCRIPTION

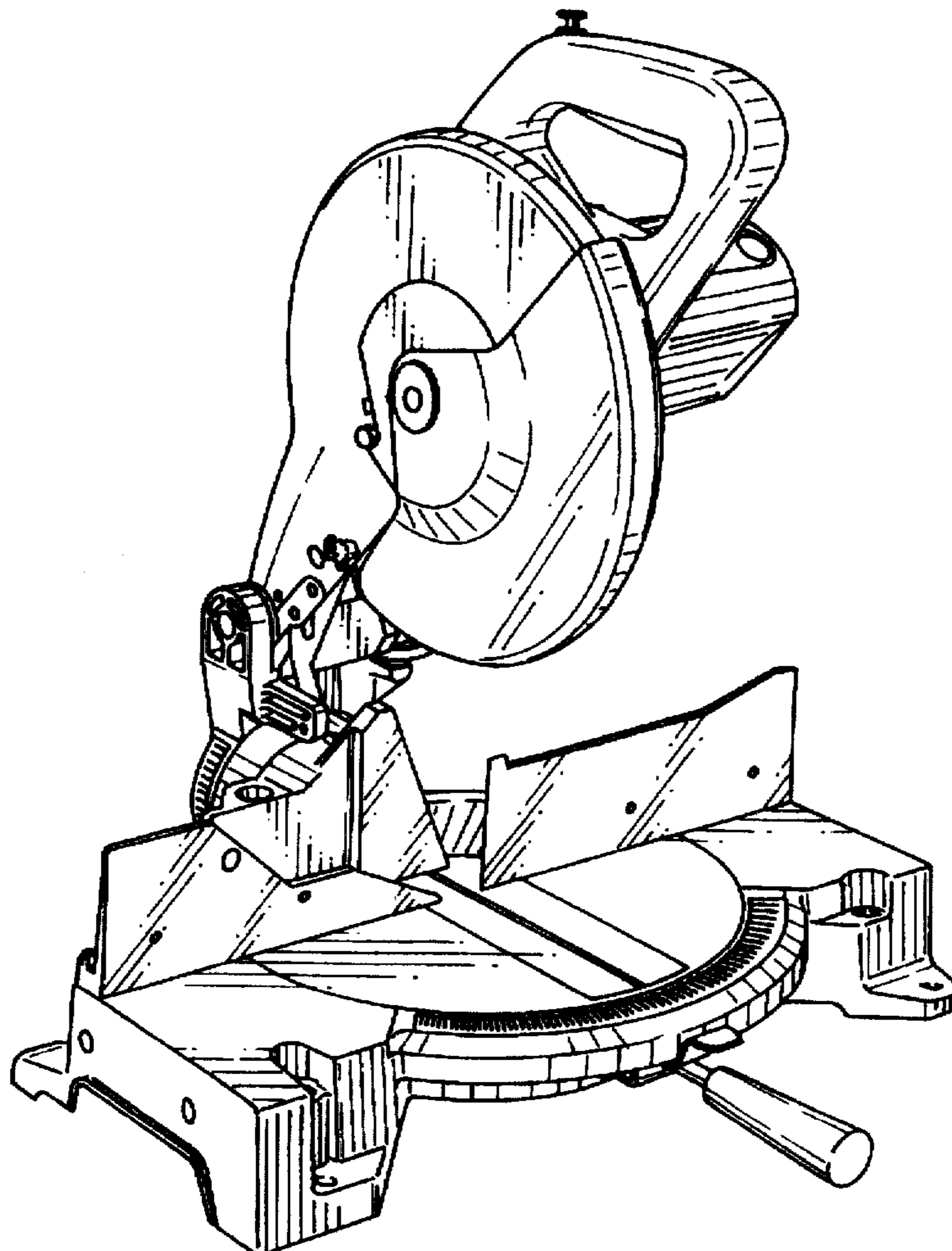
FIG. 1 is a perspective view of a miter saw showing our new design;
FIG. 2 is a front elevational view thereof;
FIG. 3 is a rear elevational view thereof;
FIG. 4 is a left side elevational view thereof;
FIG. 5 is a right side elevational view thereof;
FIG. 6 is a top plan view thereof; and,
FIG. 7 is a bottom plan view thereof.

1 Claim, 4 Drawing Sheets

[56] References Cited

U.S. PATENT DOCUMENTS

- D. 295,823 5/1988 Brickner, Jr. et al. .
- D. 324,055 2/1992 Tuggle et al. .
- D. 334,576 4/1993 Kawakami et al. .
- D. 346,173 4/1994 Price .
- D. 348,272 6/1994 Brickner D15/133
- D. 348,889 7/1994 Chang .



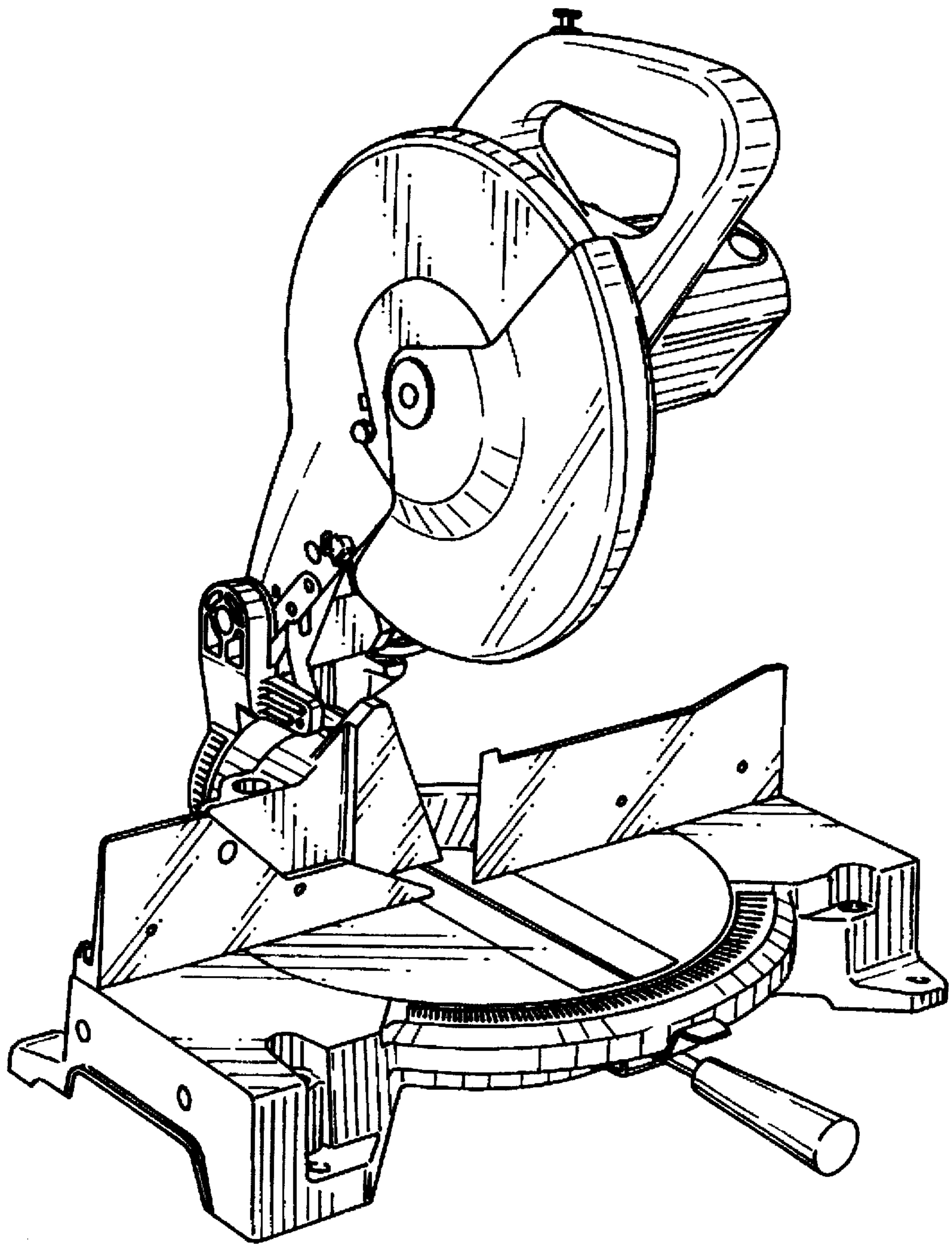


FIG. 1

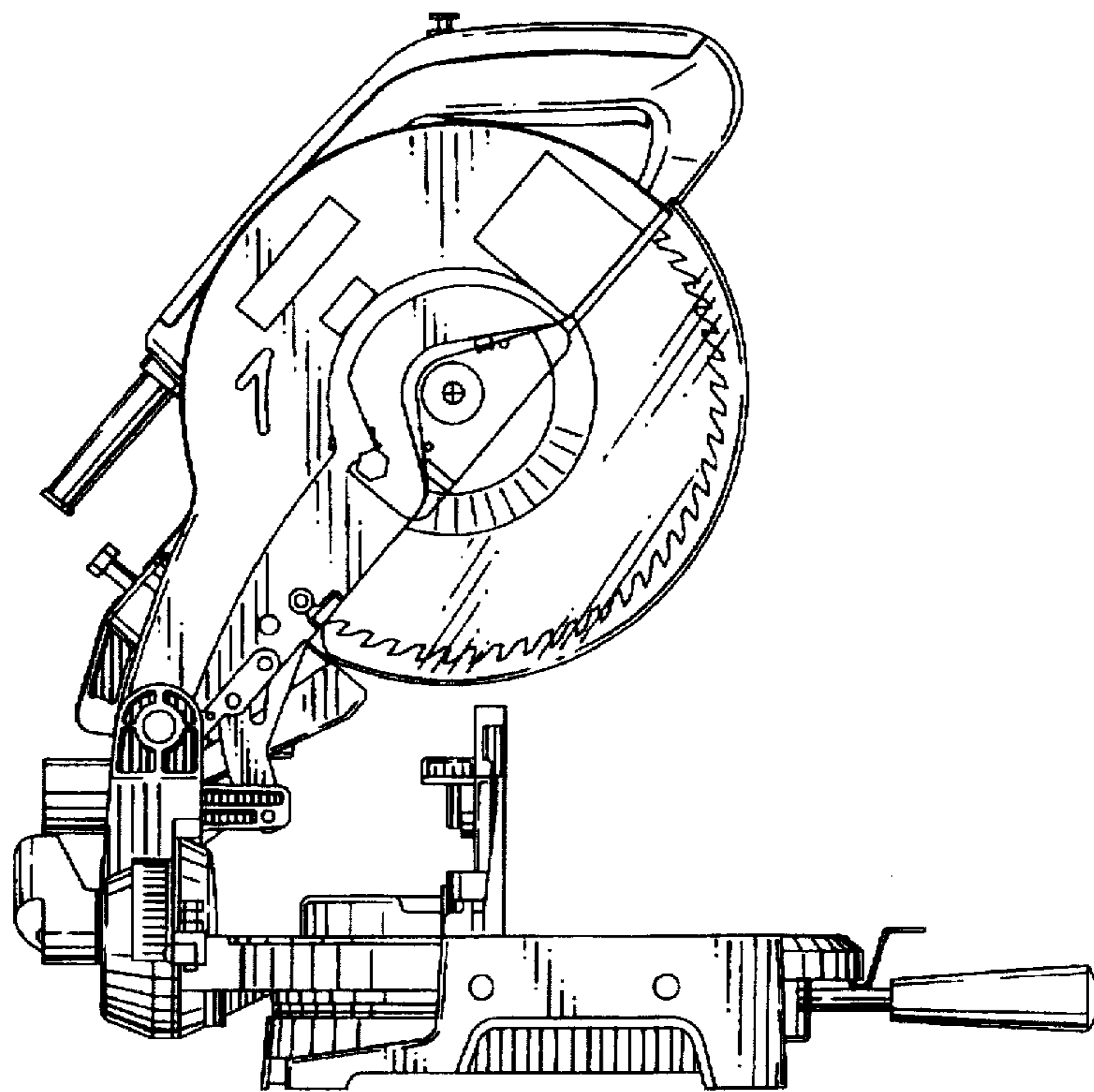


FIG. 2

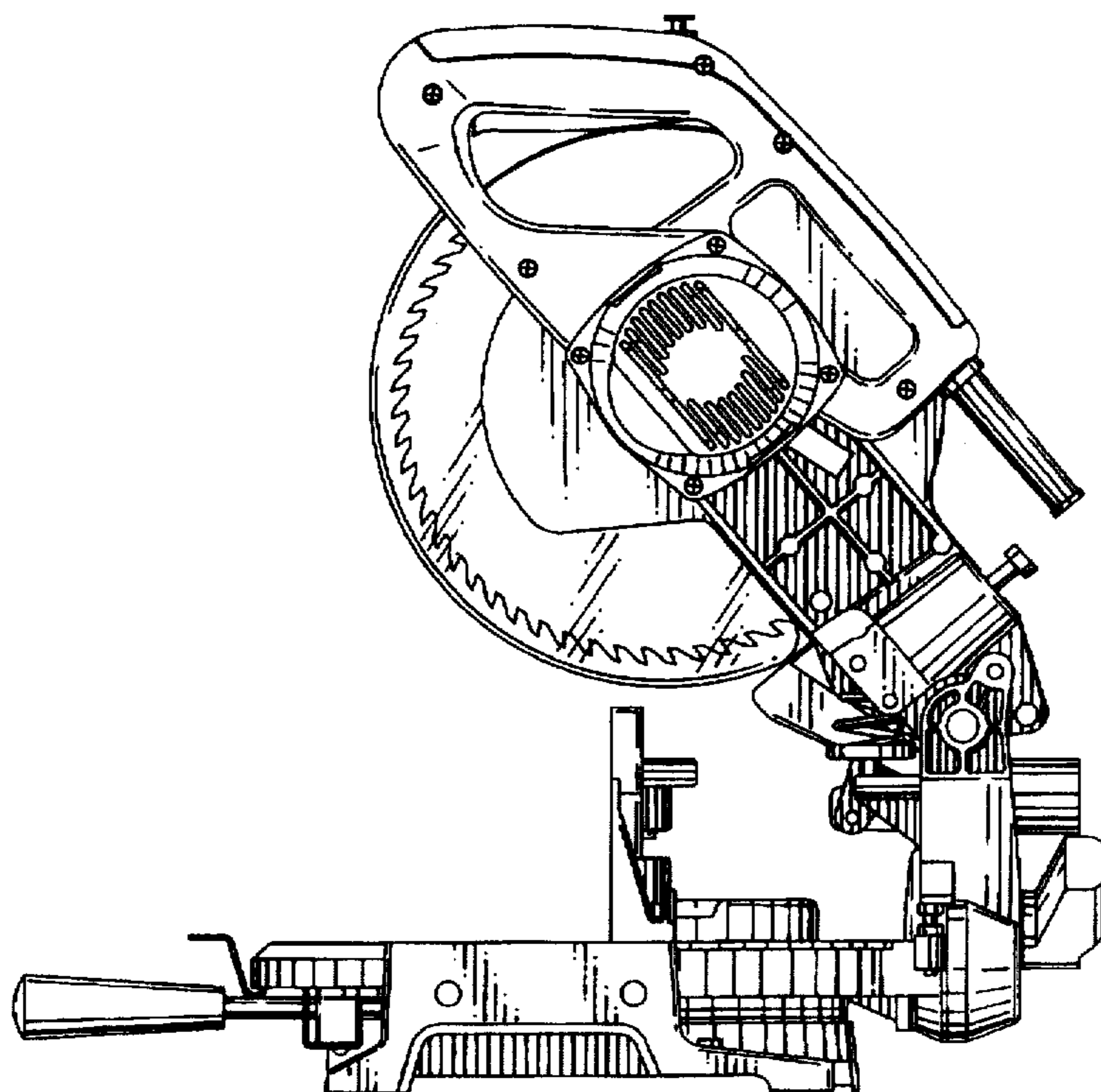


FIG. 3

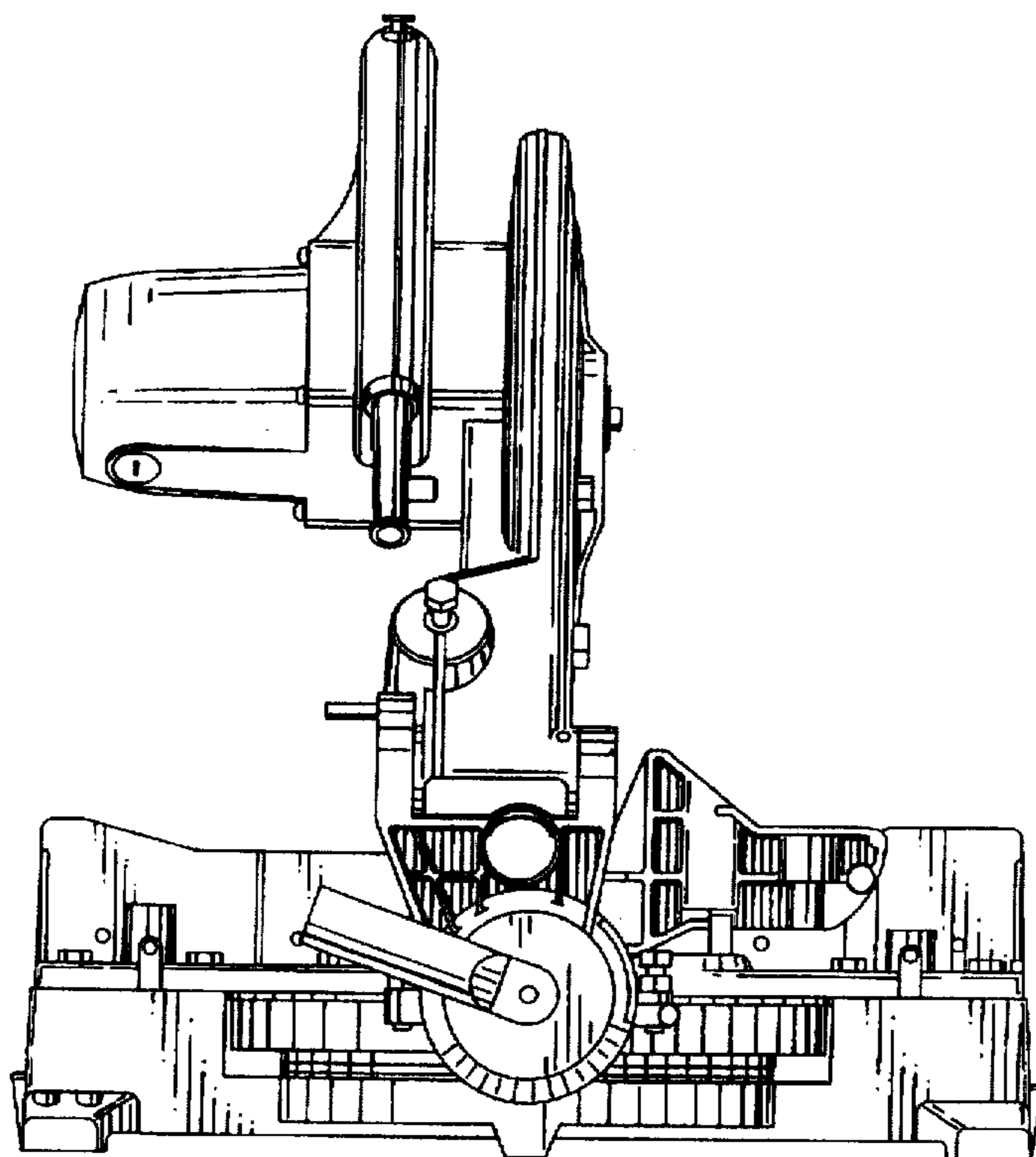


FIG. 4

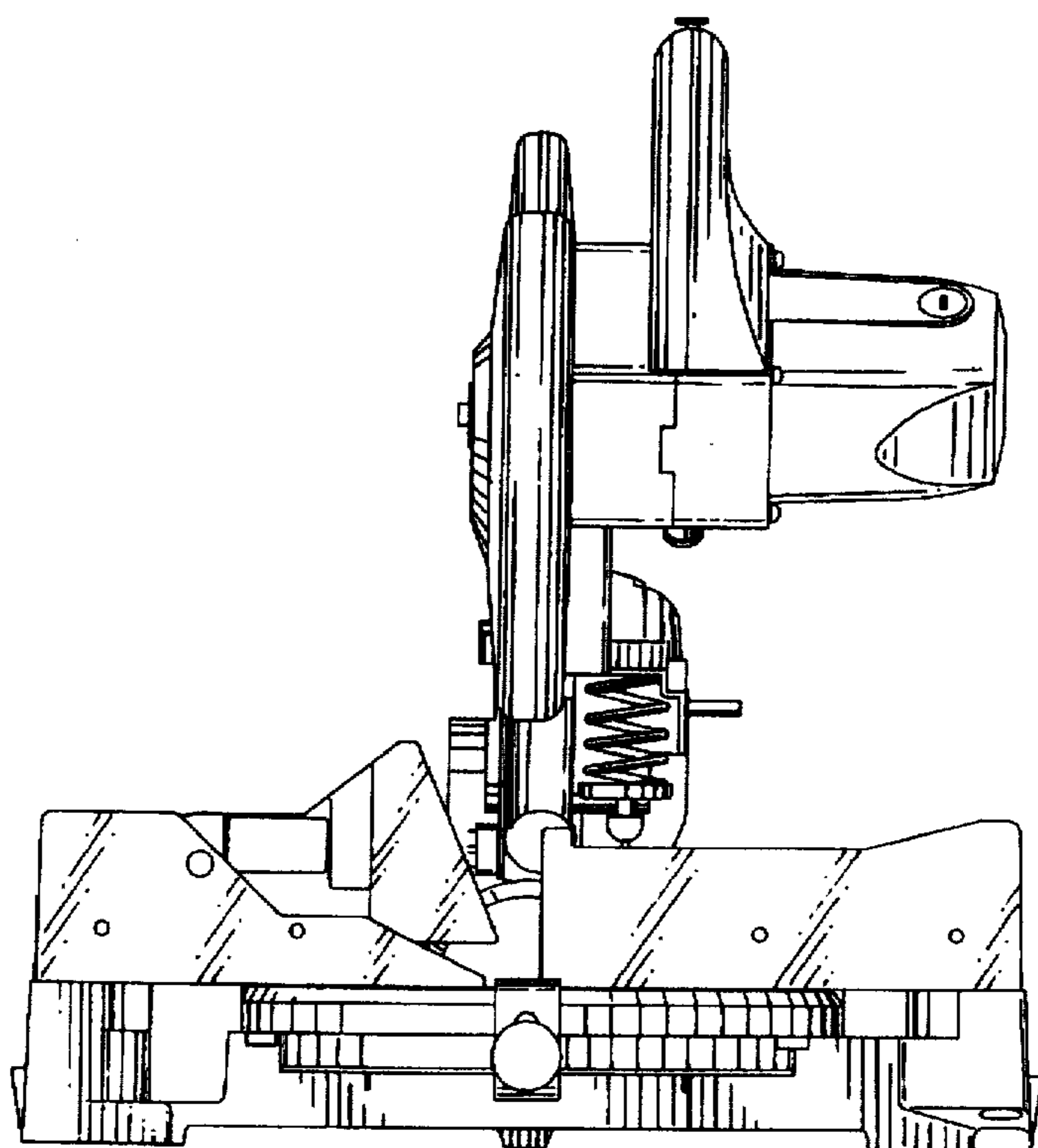


FIG. 5

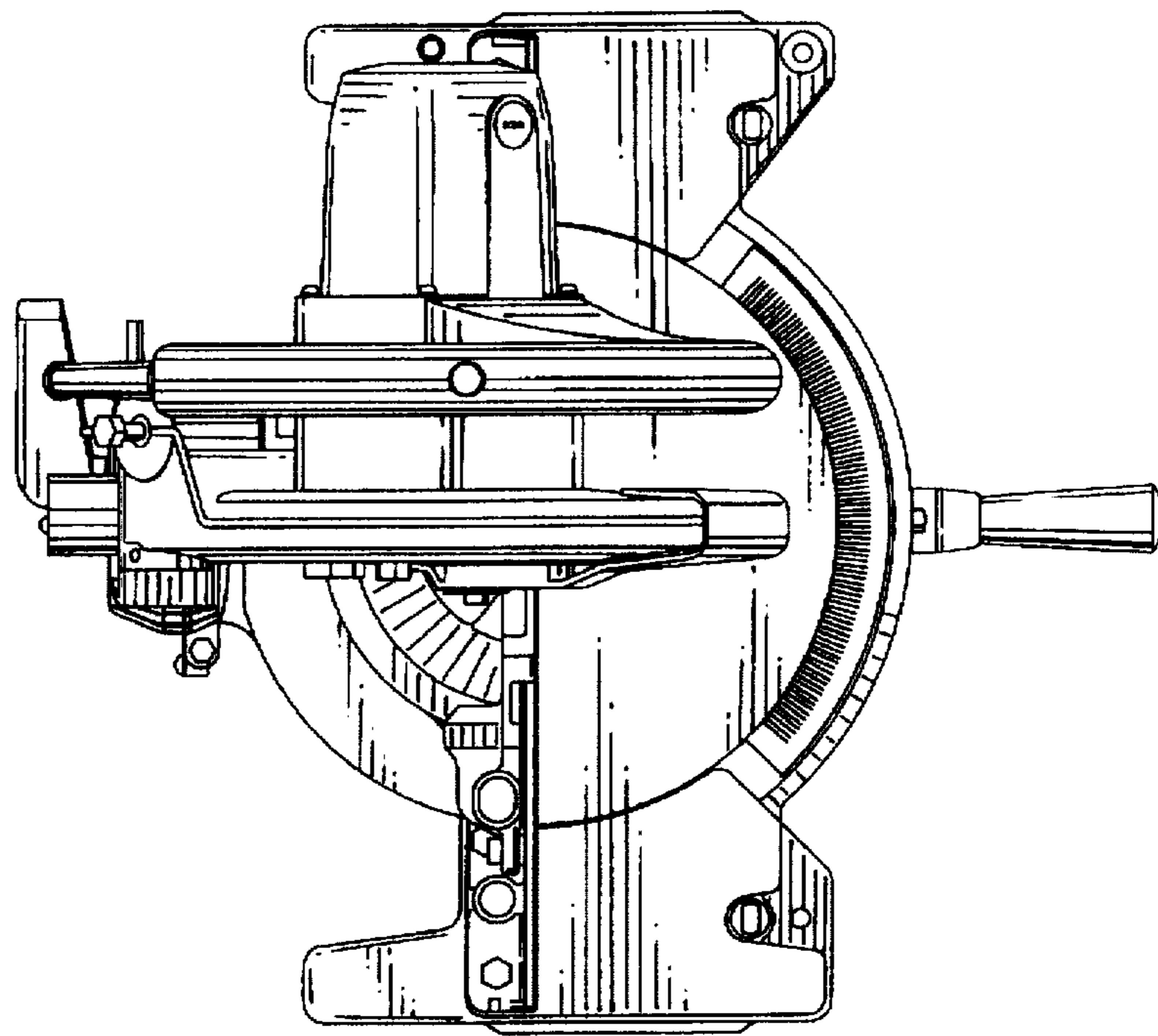


FIG. 6

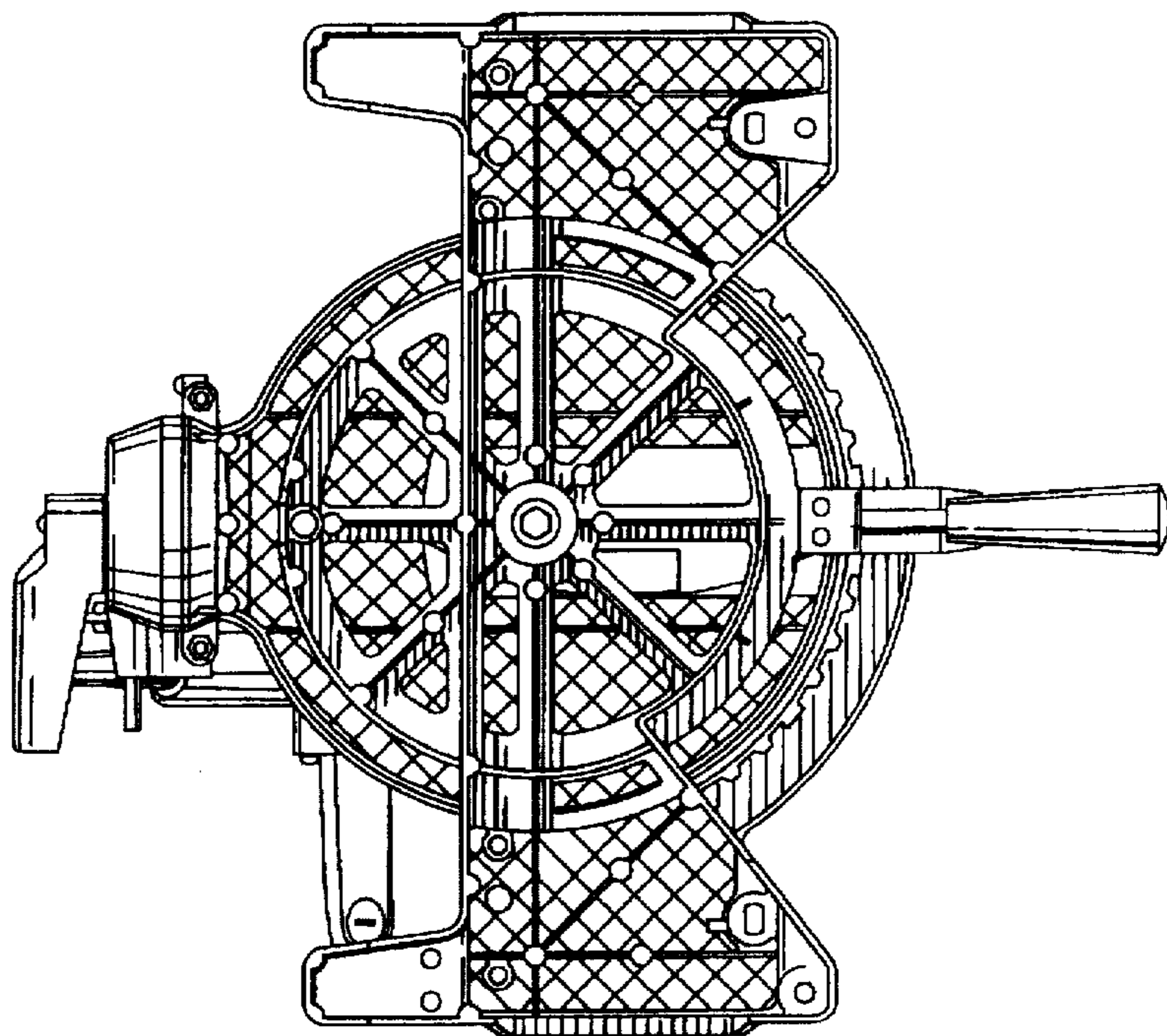


FIG. 7