



US00D383763S

United States Patent [19]

[11] Patent Number: Des. 383,763

Youngs

[45] Date of Patent: **Sep. 16, 1997

[54] COMBINED ONE-PIECE TANK SUMP WITH INTEGRAL DUST COVER

[75] Inventor: Andrew Youngs, Granger, Ind.

[73] Assignee: Advanced Polymer Technology, Inc., Elkhart, Ind.

[**] Term: 14 Years

[21] Appl. No.: 55,792

[22] Filed: Jun. 13, 1996

[51] LOC (6) Cl. 15-02

[52] U.S. Cl. D15/7

[58] Field of Search D15/7-9.2; 417/400, 417/88, 393, 411, 234

[56] References Cited

U.S. PATENT DOCUMENTS

- D. 283,465 4/1986 Bingler D15/7
- D. 284,380 6/1986 Berg et al. D15/7
- D. 309,308 7/1990 Webb .
- D. 313,418 1/1991 Webb .
- D. 317,613 6/1991 Channell D15/7
- D. 322,970 1/1992 Webb .
- D. 351,602 10/1994 Rosebraugh et al. D15/7
- 1,582,191 4/1926 Snooke .
- 1,639,495 8/1927 Frame .
- 1,793,038 2/1931 Zimmermann .
- 2,254,668 9/1941 Tomek .
- 2,336,150 12/1943 Horvath .
- 2,449,229 9/1948 Hopwood .
- 2,671,573 3/1954 Hendon et al. .
- 2,911,001 11/1959 Fuller .
- 3,010,598 11/1961 Foss .
- 3,362,425 1/1968 Morris et al. .
- 3,390,224 6/1968 Wyatt .
- 3,401,958 9/1968 Demyon .
- 3,439,837 4/1969 Hearn et al. .
- 3,459,229 8/1969 Croft .
- 3,531,264 9/1970 Greipel .
- 3,543,377 12/1970 Bremner .
- 3,615,034 10/1971 Lemelson .
- 3,712,009 1/1973 Campagna .
- 3,721,270 3/1973 Wittgenstein .
- 3,802,456 4/1974 Wittgenstein .
- 3,905,405 9/1975 Fowler et al. .

- 3,938,285 2/1976 Gilbo .
- 3,972,440 8/1976 Warren .
- 4,062,376 12/1977 McGrath .
- 4,089,139 5/1978 Moffa et al. .
- 4,132,083 1/1979 McGrath .
- 4,145,075 3/1979 Holzmann .
- 4,230,234 10/1980 Taylor .
- 4,291,905 9/1981 Schrock .
- 4,309,128 1/1982 Williams .
- 4,449,715 5/1984 Gagas .
- 4,472,911 9/1984 Jooris et al. .
- 4,540,310 9/1985 Ditcher et al. .
- 4,568,925 2/1986 Butts .
- 4,619,555 10/1986 Skinner et al. .
- 4,621,941 11/1986 Ditcher et al. .
- 4,639,164 1/1987 Dugnall et al. .
- 4,667,505 5/1987 Sharp .
- 4,685,327 8/1987 Sharp .
- 4,696,330 9/1987 Raudman et al. .
- 4,711,365 12/1987 Fomby .
- 4,714,095 12/1987 Müller et al. .
- 4,717,031 1/1988 Hewson .
- 4,717,036 1/1988 Dundas et al. .
- 4,747,453 5/1988 Howard, Sr. .

(List continued on next page.)

Primary Examiner—Ralf Seifert
Attorney, Agent, or Firm—Young & Basile, P.C.

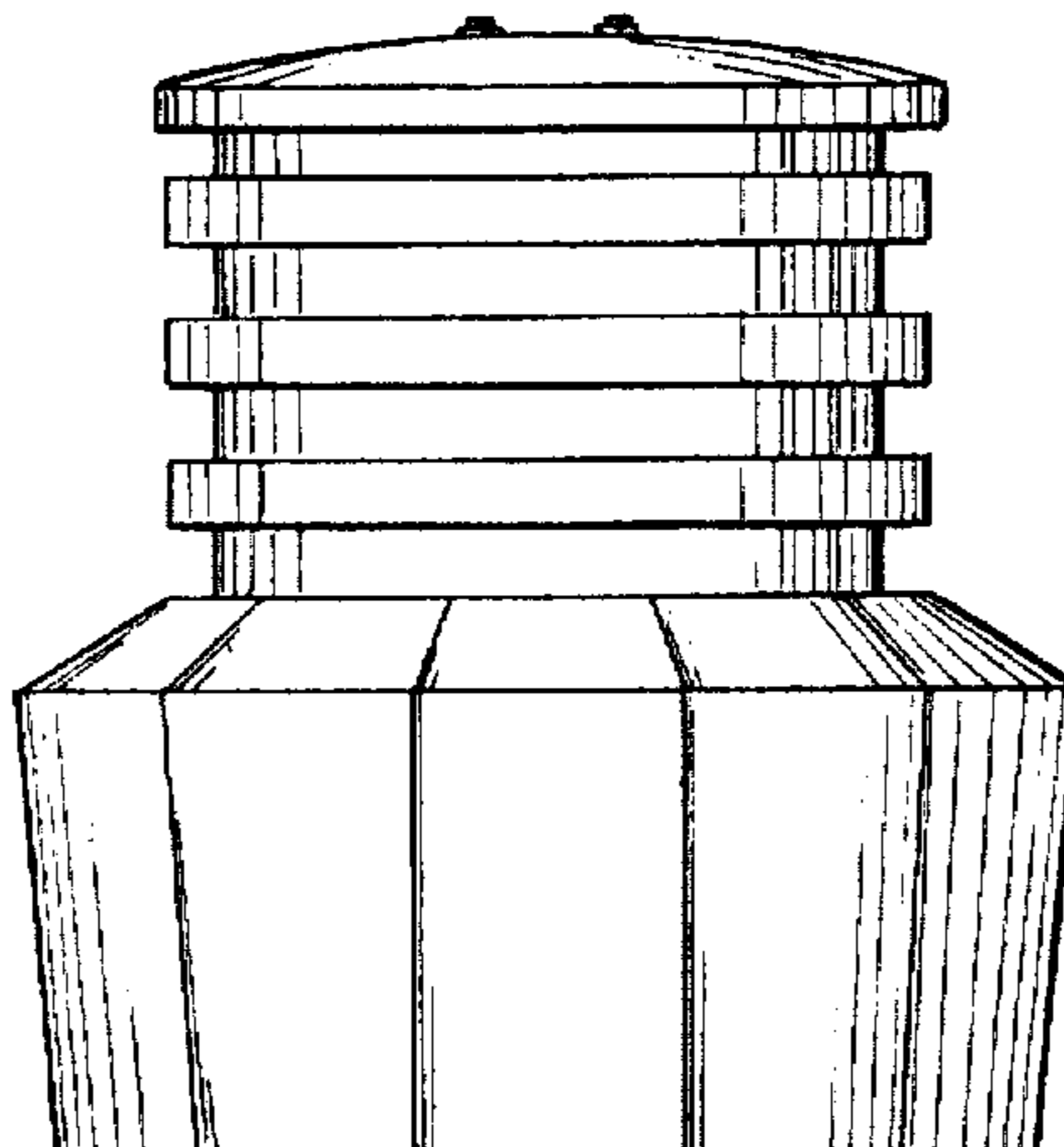
[57] CLAIM

The ornamental design for a combined one-piece tank sump with integral dust cover, as shown and described.

DESCRIPTION

FIG. 1 is a front elevational view of a combined one-piece tank sump with integral dust cover showing my new design, the opposite side view is being identical;
 FIG. 2 is a right-side elevational view thereof, which is identical to the left-side elevational view; and,
 FIG. 3 is a top plan view thereof; and,
 FIG. 4 is a bottom plan view thereof.
 The present invention is related in substance to my co-pending U.S. Patent application Ser. No. 08/661,694 filed Jun. 11, 1996 now pending, for a combined one-piece tank sump with integral dust cover.

1 Claim, 2 Drawing Sheets



U.S. PATENT DOCUMENTS

4,763,806	8/1988	Podgers et al. .	5,076,456	12/1991	Geyer .
4,770,317	9/1988	Podgers et al. .	5,085,257	2/1992	Smith .
4,805,444	2/1989	Webb .	5,099,894	3/1992	Mozeley, Jr. .
4,809,866	3/1989	Crocker .	5,114,271	5/1992	Sunderhaus et al. .
4,871,084	10/1989	Robbins .	5,117,877	6/1992	Sharp .
4,896,705	1/1990	Podgers et al. .	5,134,878	8/1992	Sharp .
4,971,225	11/1990	Bravo .	5,257,652	11/1993	Lawrence .
5,002,428	3/1991	Shettel .	5,271,518	12/1993	Webb .
5,040,408	8/1991	Webb .	5,333,490	8/1994	Webb .
5,058,633	10/1991	Sharp .	5,372,453	12/1994	Argandona .
5,060,509	10/1991	Webb .	5,423,447	6/1995	Youngs .
			5,482,400	1/1996	Bavington .
			5,490,419	2/1996	Webb .

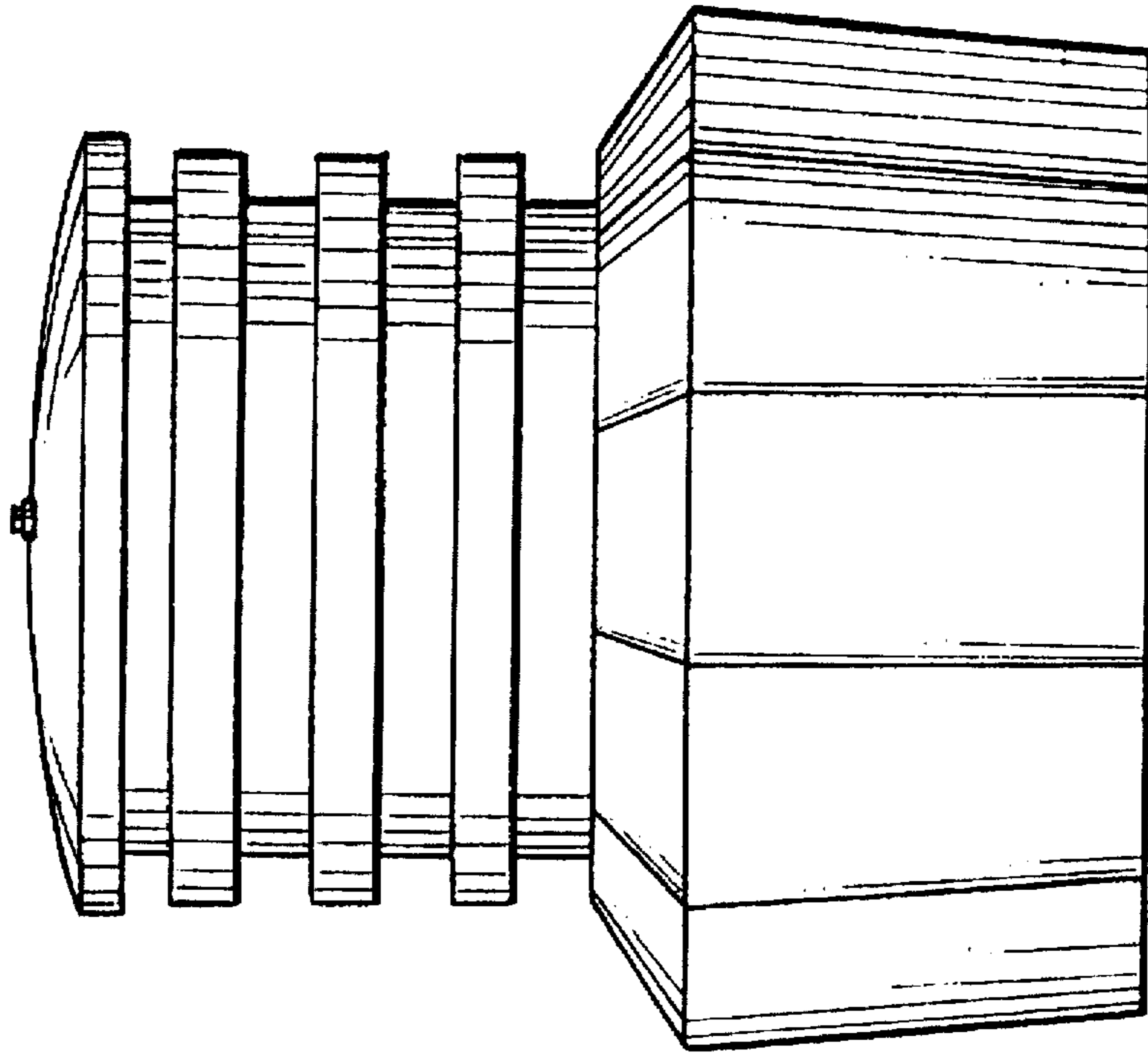


FIG- 2

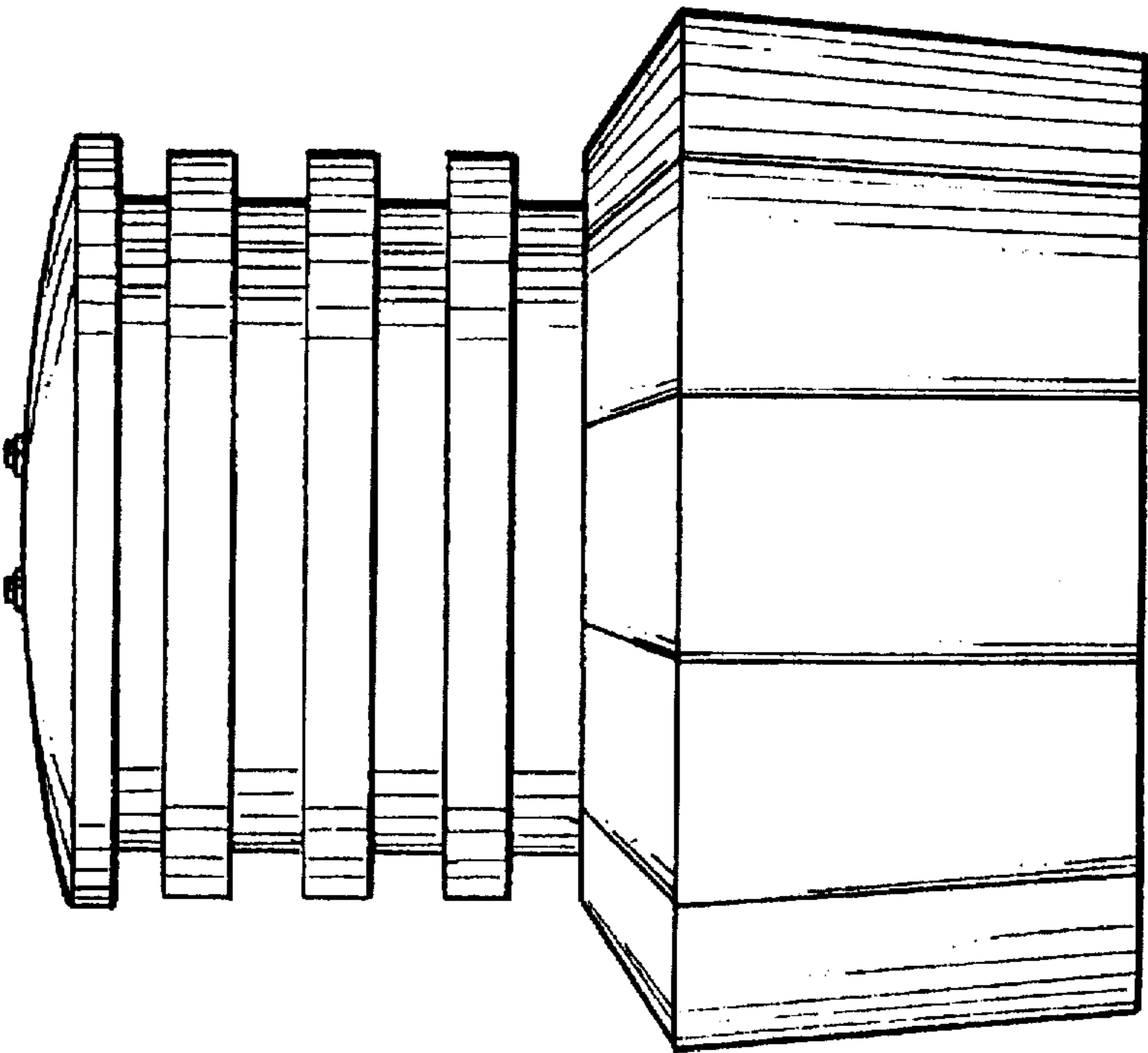


FIG- 1

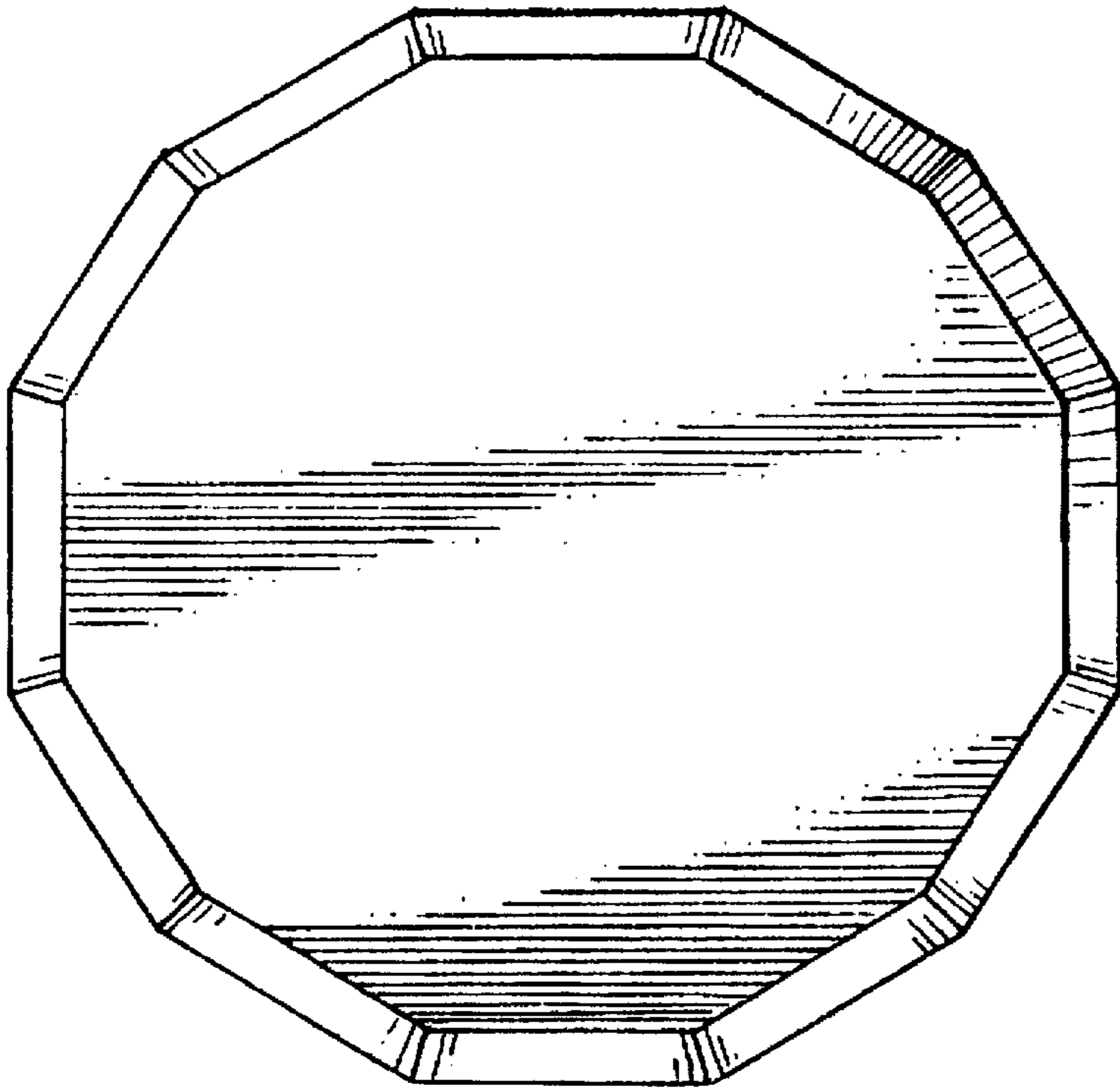


FIG. 4

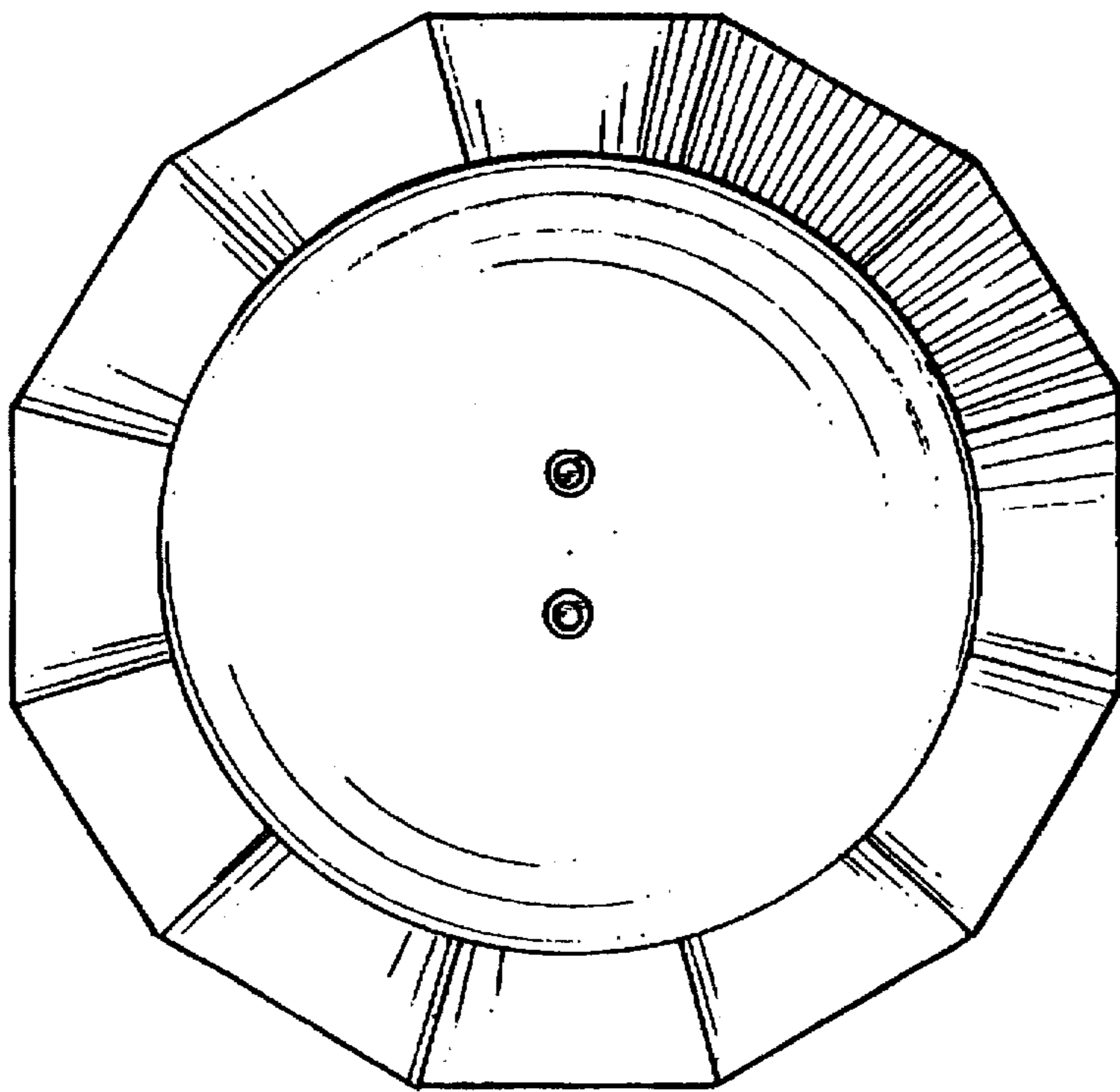


FIG. 3