

US00D383761S

**United States Patent** [19]  
**Huntzinger**

[11] **Patent Number: Des. 383,761**  
[45] **Date of Patent: \*\*Sep. 16, 1997**

[54] **ELECTROMAGNETIC PISTON AND CYLINDER HEAD**

1,875,682 9/1932 Walker ..... D15/5 X  
1,888,907 11/1932 Cometh ..... 335/61  
4,203,406 5/1980 Smith ..... 123/193.6 X

[76] **Inventor: Banner Huntzinger, 145 Timber Way, Coos Bay, Oreg. 97420**

*Primary Examiner*—Louis S. Zarfaz  
*Assistant Examiner*—Frank Martinez  
*Attorney, Agent, or Firm*—Harold H. Dutton, Jr.; Diane F. Liebman

[\*\*] **Term: 14 Years**

[21] **Appl. No.: 54,462**

[57] **CLAIM**

[22] **Filed: May 17, 1996**

The ornamental design for an electromagnetic piston and cylinder head, as shown.

[51] **LOC (6) Cl. .... 15-01**

[52] **U.S. Cl. .... D15/5**

[58] **Field of Search .... D15/5; 123/193.1, 123/193.6; 91/DIG. 4, 228, 249, 255, 279, 263; 180/60, 65.1; 417/258, 353, 354, 322; 335/52, 61**

**DESCRIPTION**

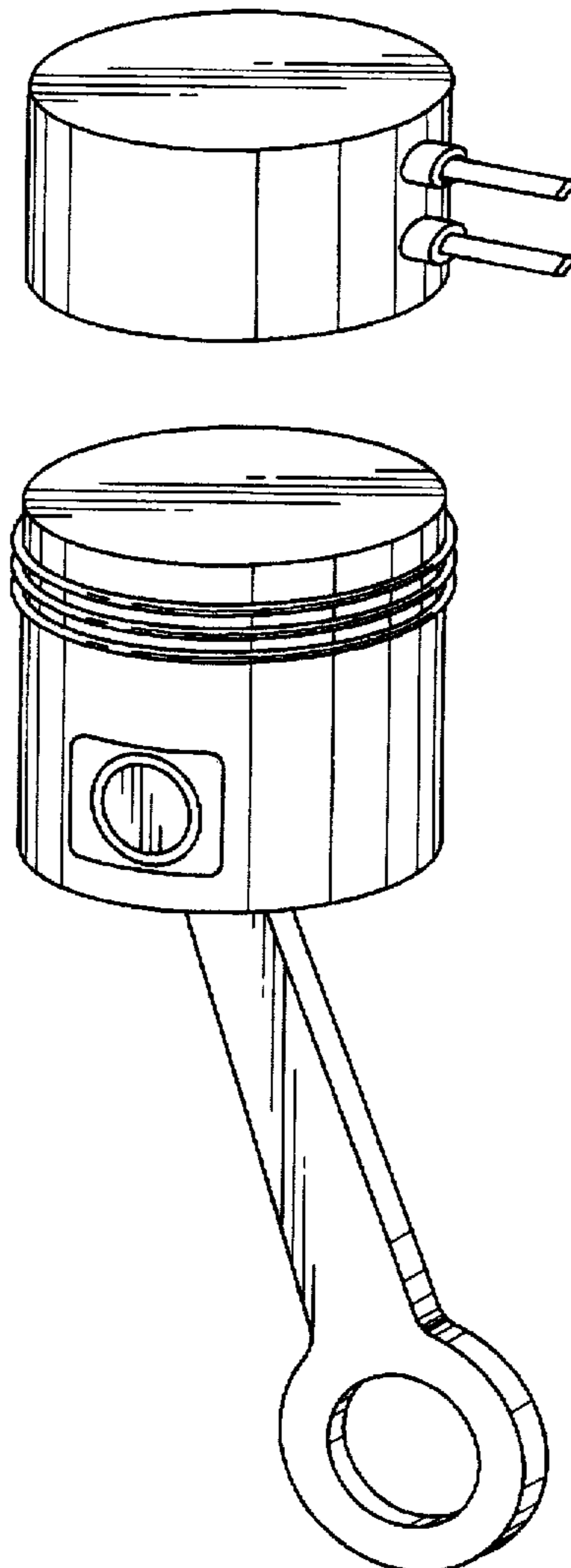
FIG. 1 is a perspective view of an electromagnetic piston and cylinder head showing my new design;  
FIG. 2 is a front view thereof;  
FIG. 3 is a rear view thereof;  
FIG. 4 is a right side view thereof;  
FIG. 5 is a left side view thereof;  
FIG. 6 is a top view thereof; and,  
FIG. 7 is a bottom view thereof.

[56] **References Cited**

**U.S. PATENT DOCUMENTS**

D. 287,599 1/1987 Murray ..... D15/5  
D. 373,773 9/1996 Jund, Jr. .... D15/5  
796,646 8/1905 Hewlett ..... 335/61

**1 Claim, 4 Drawing Sheets**



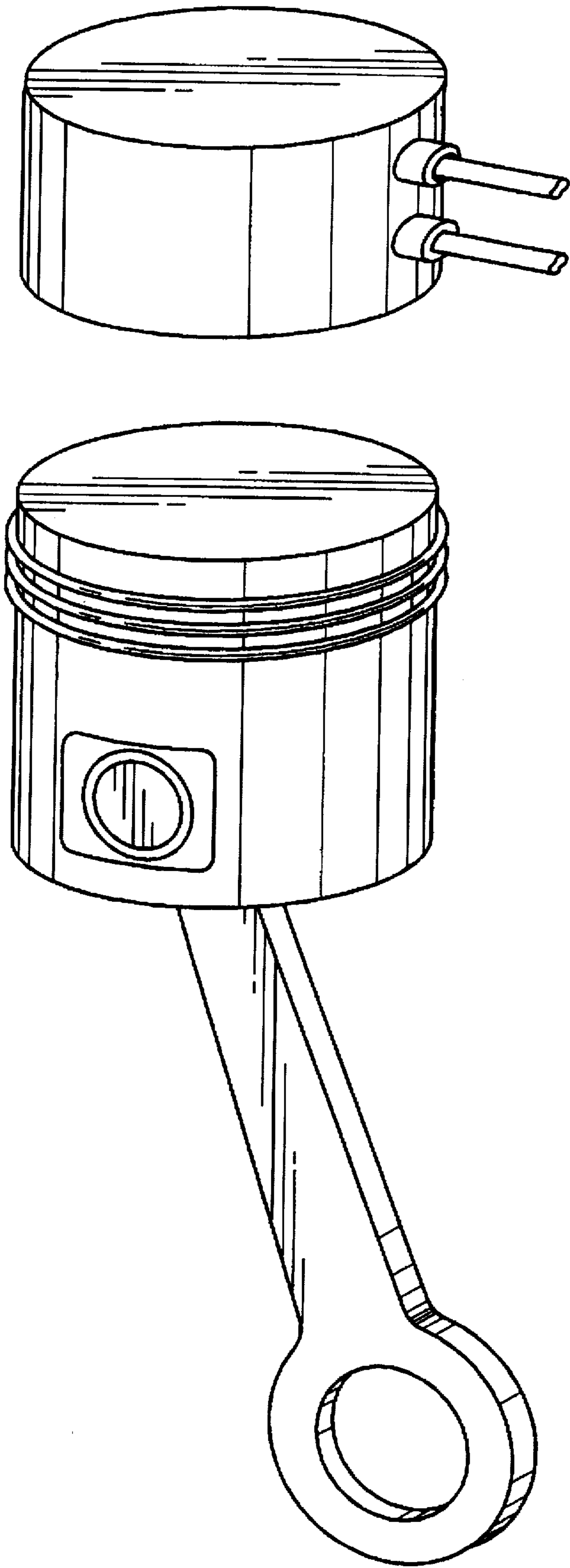


FIG. 1

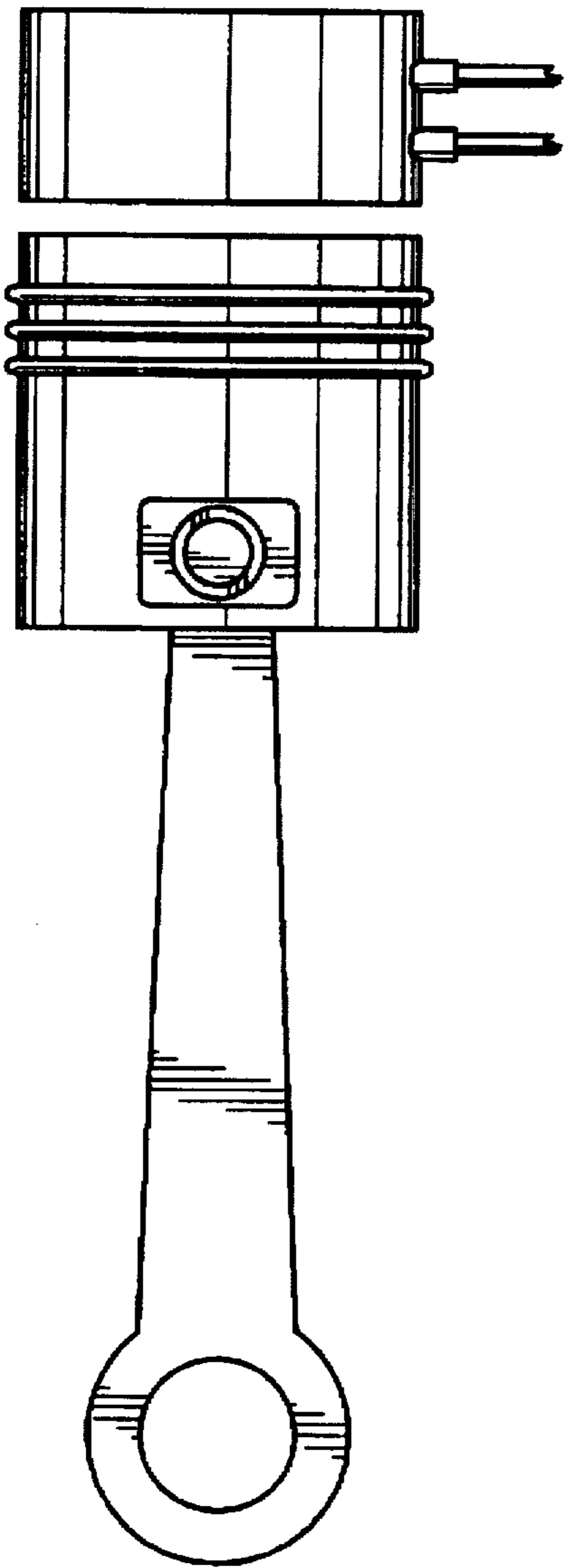
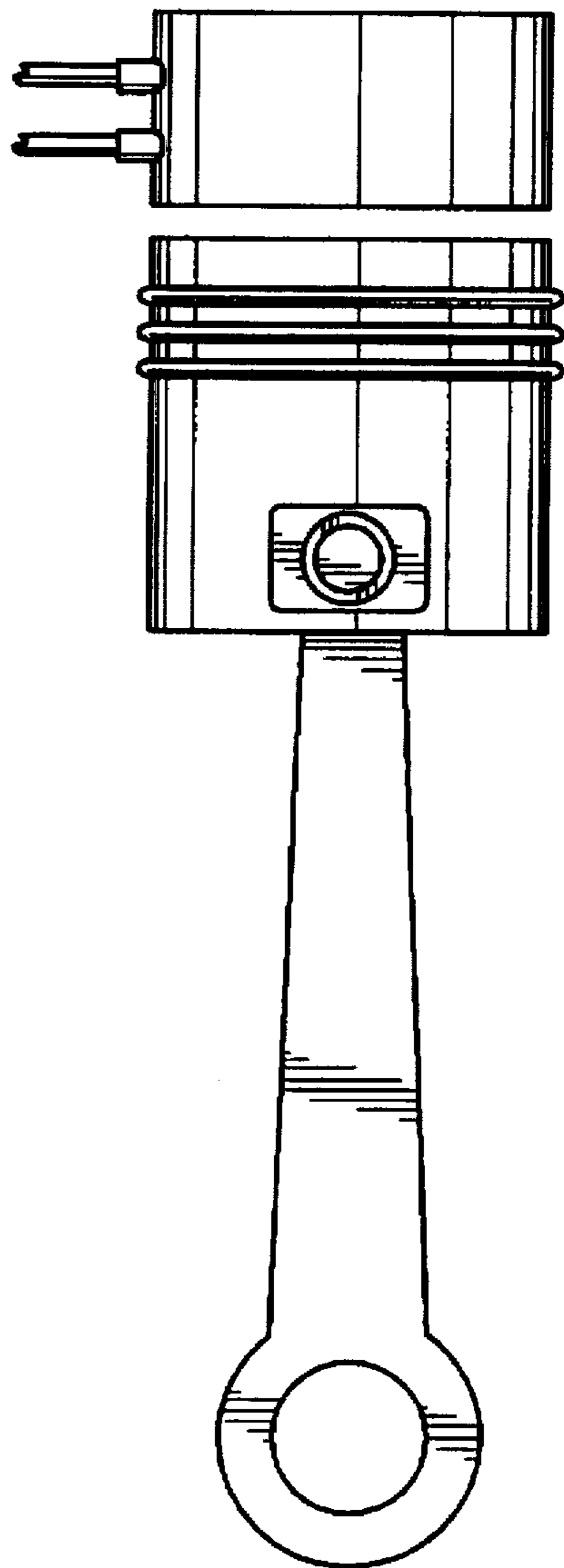


FIG. 2

FIG. 3



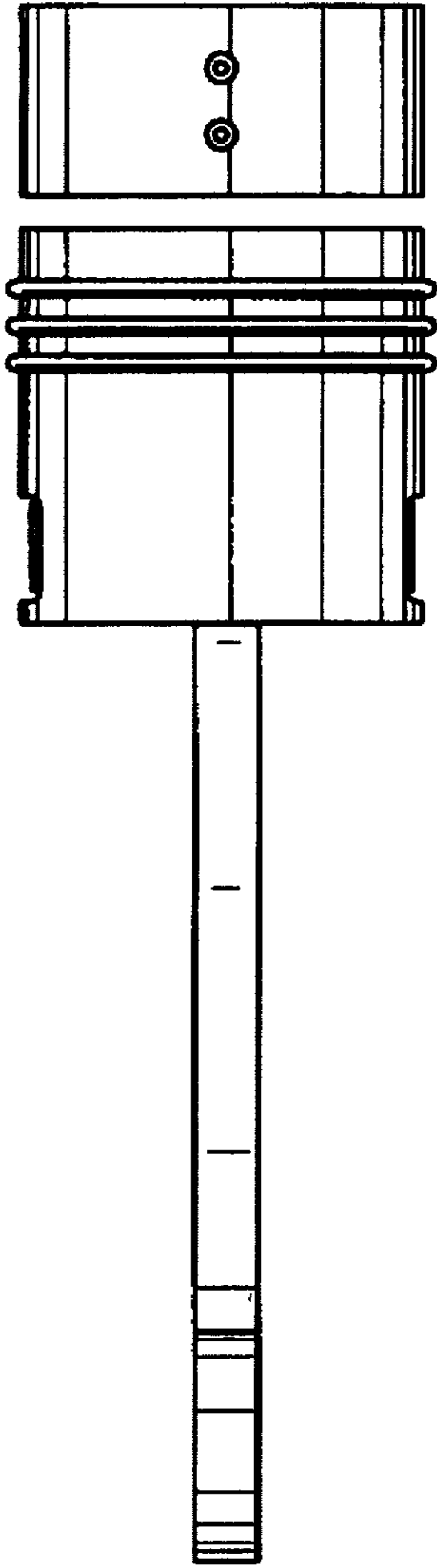


FIG. 4

FIG. 5

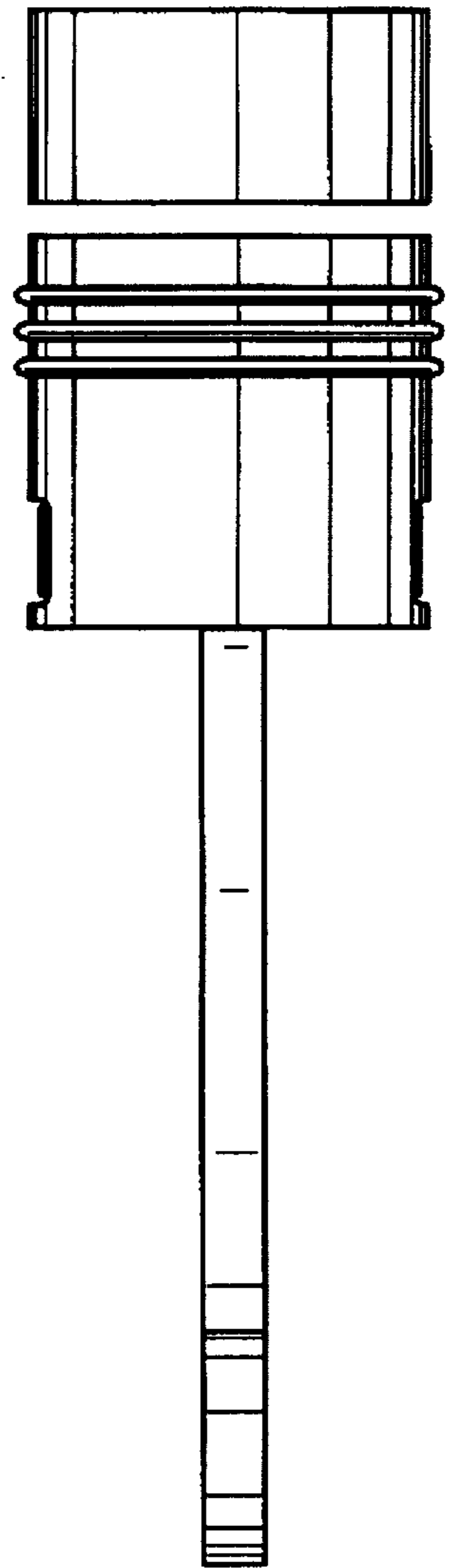


FIG. 6

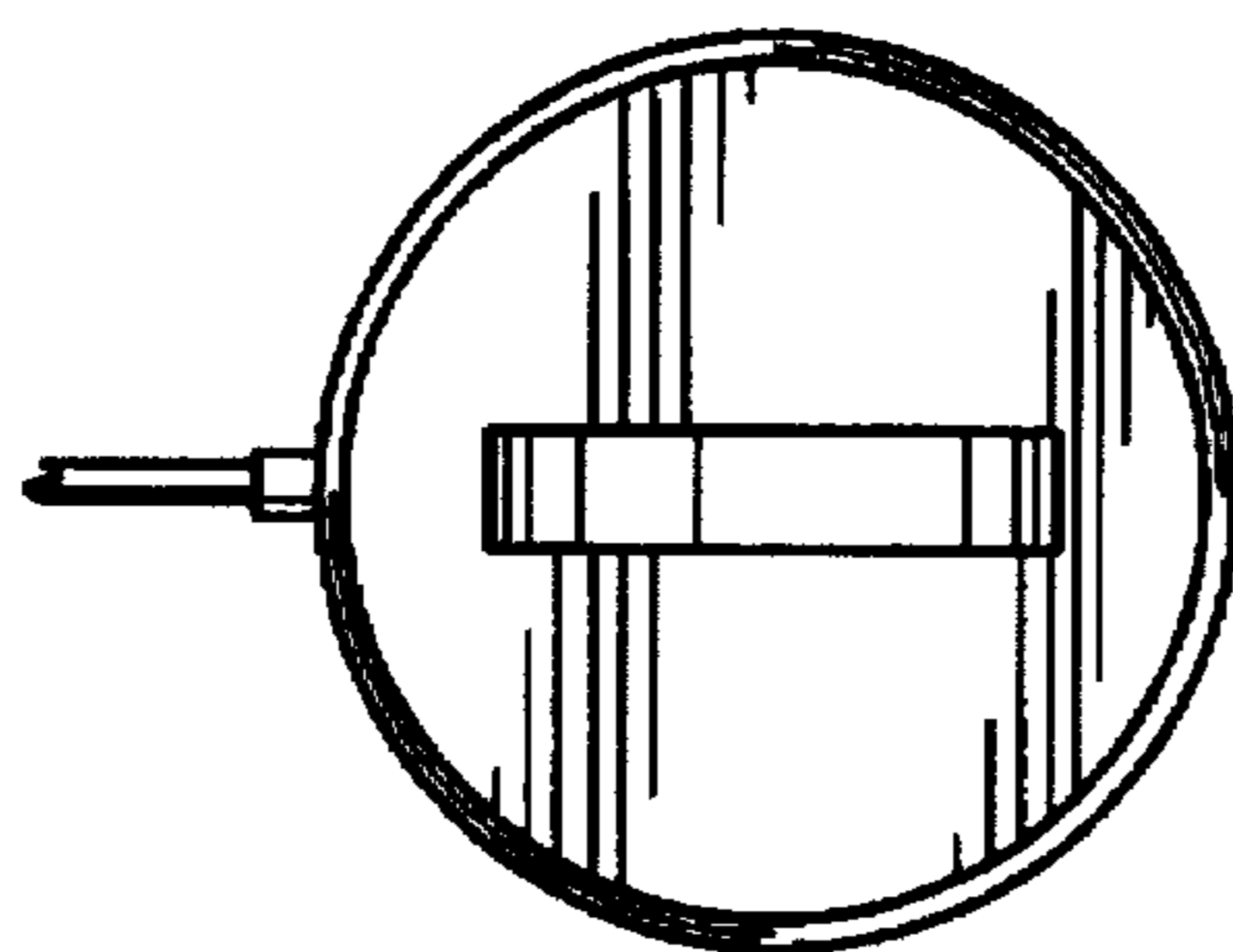
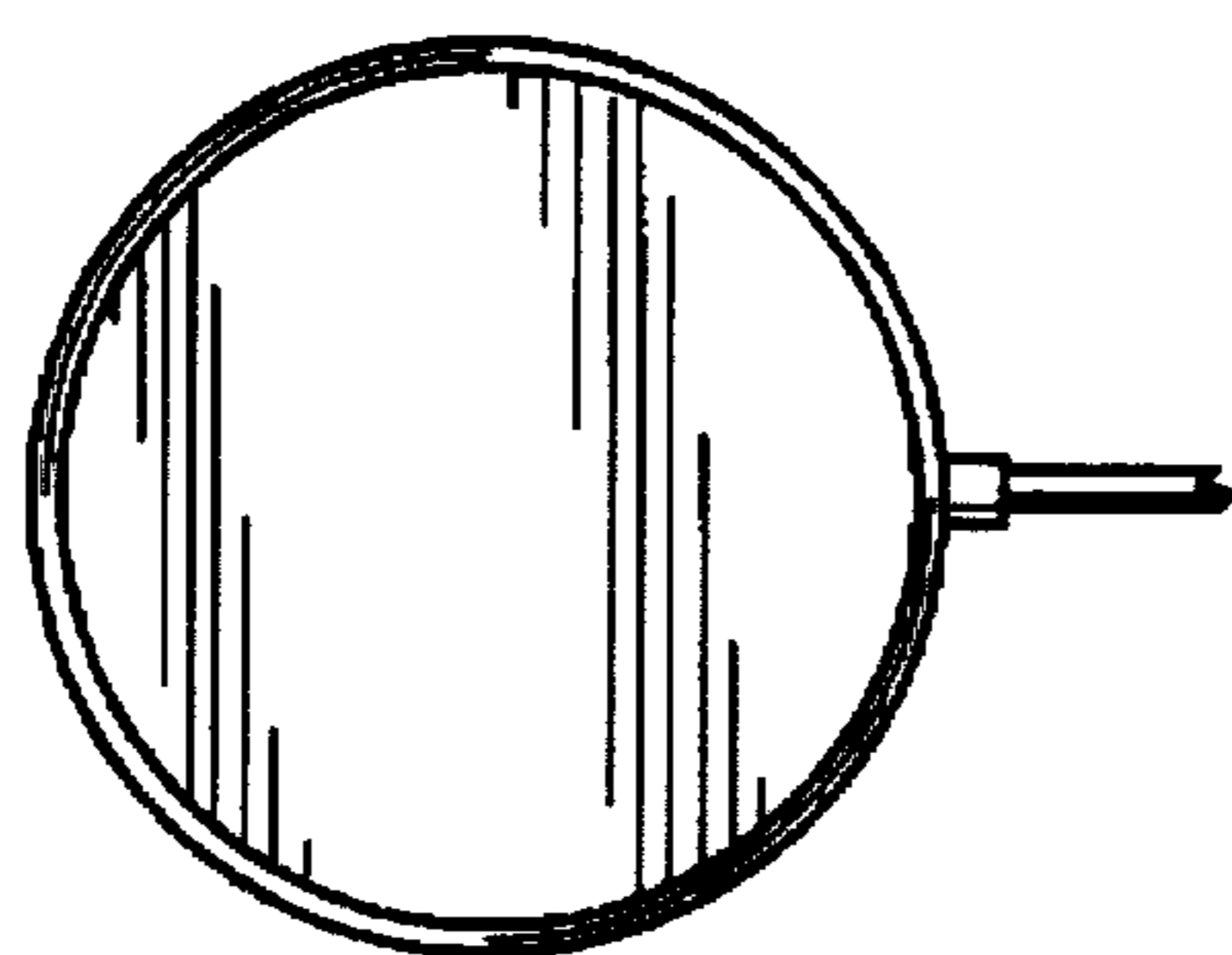


FIG. 7