



US00D383760S

United States Patent [19] Olson

[11] Patent Number: **Des. 383,760**
[45] Date of Patent: ****Sep. 16, 1997**

[54] **AMPLIFIER CONTROL PANEL**
[75] Inventor: **Norman J. Olson**, Hillsborough, Calif.
[73] Assignee: **Audiosource, Inc.**, Burlingame, Calif.
[**] Term: **14 Years**

D. 347,844 6/1994 Diachyo D14/198
D. 376,360 12/1996 Teulie D14/188

Primary Examiner—James Gandy
Assistant Examiner—Cathron B. Matta
Attorney, Agent, or Firm—Owen, Wickersham & Erickson, P.C.

[21] Appl. No.: **54,730**
[22] Filed: **May 21, 1996**

[57] CLAIM

The ornamental design for amplifier control panel, as shown and described.

[51] LOC (6) Cl. **14-03**
[52] U.S. Cl. **D14/265; D14/188**
[58] Field of Search D14/188, 198,
D14/217, 265; 381/88; 455/341, 347-351

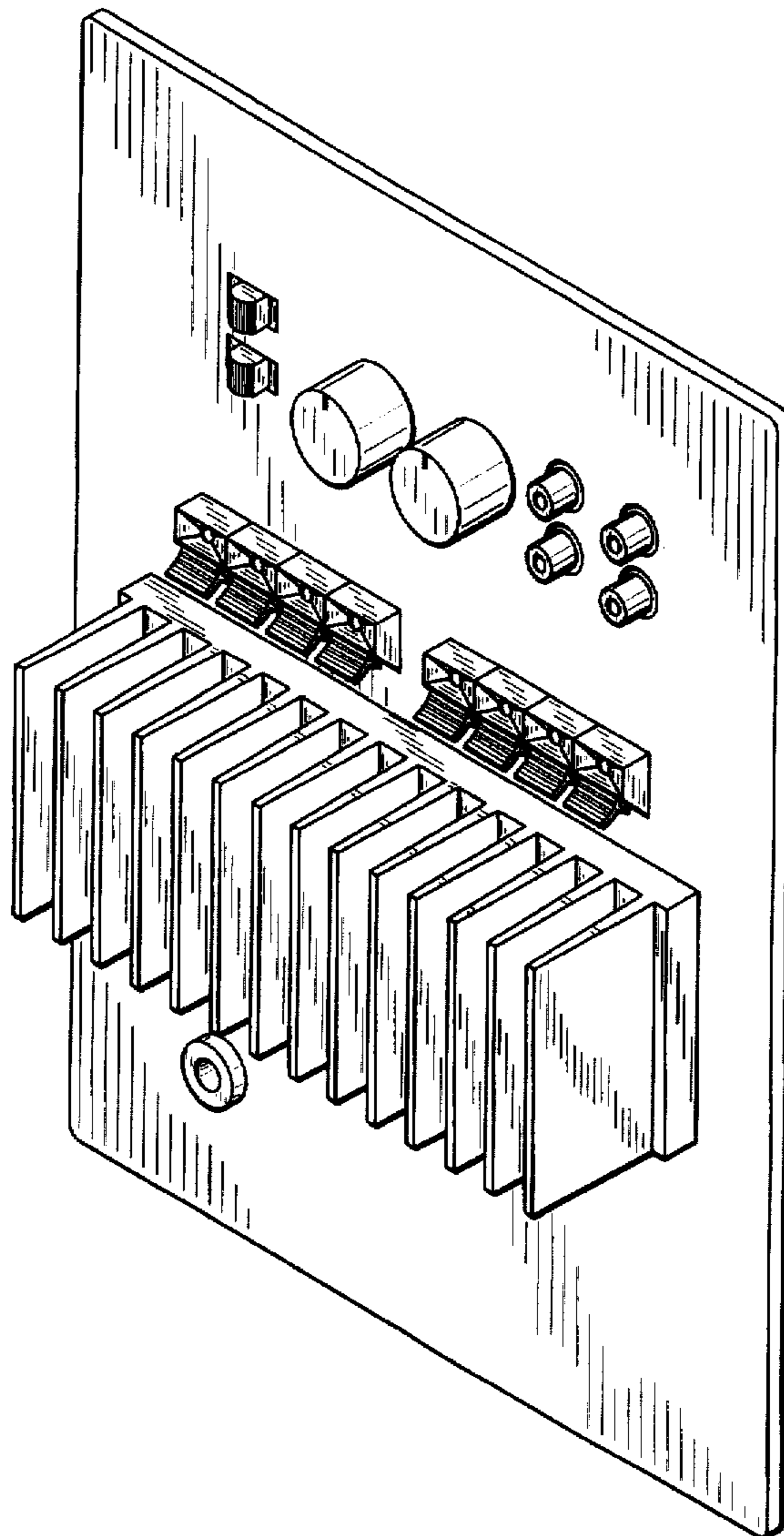
DESCRIPTION

FIG. 1 is a view in perspective of an amplifier control panel embodying my new design;
FIG. 2 is a front elevational view thereof; the rear side is unornamental and not seen in normal use;
FIG. 3 is a top plan view thereof;
FIG. 4 is a left side elevational view thereof;
FIG. 5 is a right side elevational view thereof; and,
FIG. 6 is a bottom plan view thereof.

[56] References Cited U.S. PATENT DOCUMENTS

D. 295,746 5/1988 Ridinger D14/265 X
D. 316,553 4/1991 Azima D14/265
D. 327,682 7/1992 Shimazu D14/198 X
D. 343,838 2/1994 Frank et al. D14/198

1 Claim, 3 Drawing Sheets



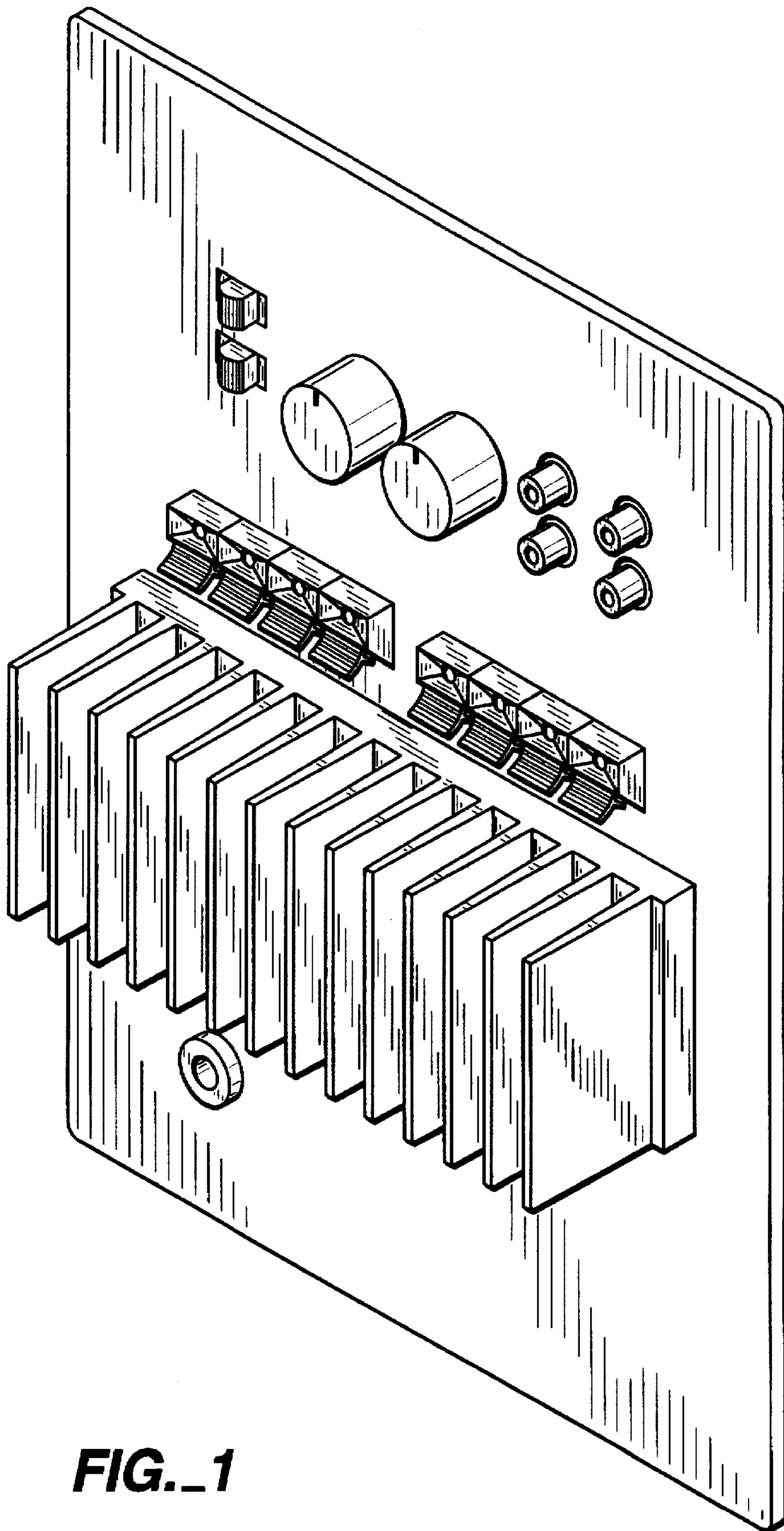


FIG. 1

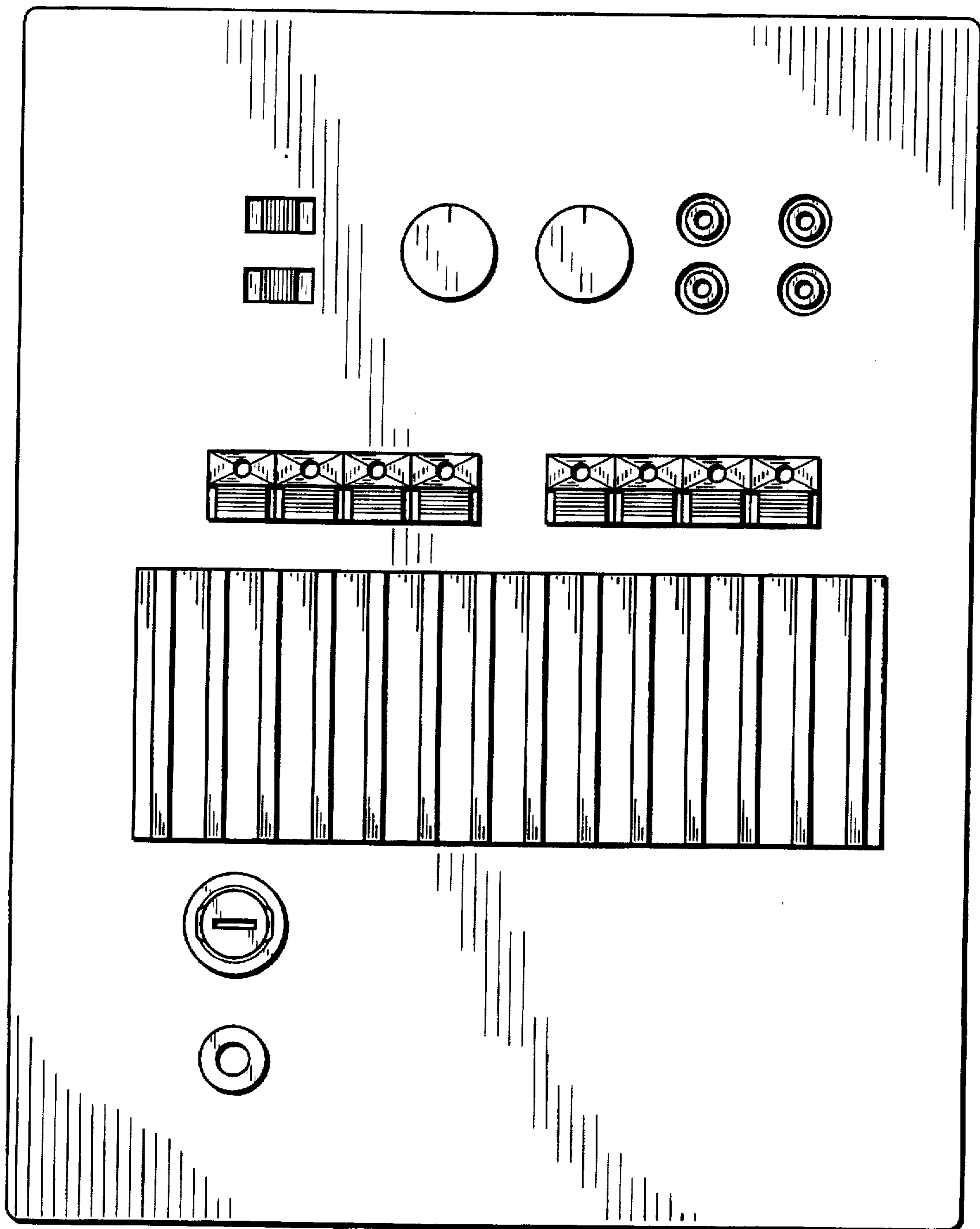


FIG._2

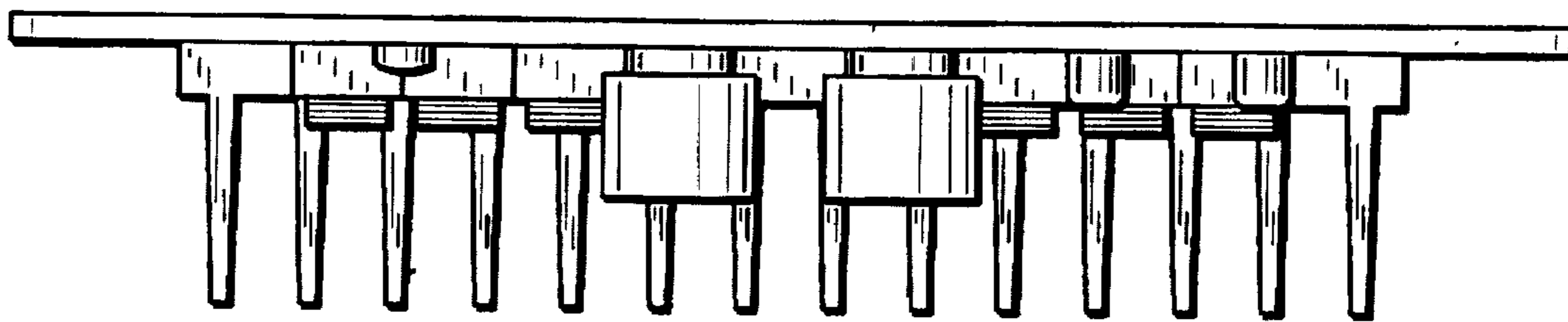


FIG._3

