



US00D383754S

United States Patent [19]
Yuen

[11] **Patent Number: Des. 383,754**
[45] **Date of Patent: **Sep. 16, 1997**

[54] **COMBINATION RADIO LANTERN**

[75] **Inventor: Se Kit Yuen, Kowloon, Hong Kong**

[73] **Assignee: John Manufacturing Limited,
Kowloon, Hong Kong**

[**] **Term: 14 Years**

[21] **Appl. No.: 55,089**

[22] **Filed: May 29, 1996**

[30] **Foreign Application Priority Data**

Dec. 6, 1995 [GB] United Kingdom 2052495

[51] **LOC (6) Cl. 14-01**

[52] **U.S. Cl. D14/168; D26/38**

[58] **Field of Search D14/168, 188,
D14/193-198; D26/38, 48-50; 455/344,
347, 350, 351**

[56] **References Cited**

U.S. PATENT DOCUMENTS

D. 290,518 6/1987 Rakocy et al. D26/48

D. 302,013 7/1989 Yuen D14/168
D. 321,262 10/1991 Yuen D26/38
D. 341,900 11/1993 Yuen D26/38

Primary Examiner—Ted Shooman
Assistant Examiner—Nanda Bondade
Attorney, Agent, or Firm—Darby & Darby

[57] **CLAIM**

The ornamental design for a combination radio lantern, as shown and described.

DESCRIPTION

FIG. 1 is a perspective view of my new design for a combination radio lantern, as viewed from the left; FIG. 2 is a top plan view thereof; FIG. 3 is a front elevational view thereof; FIG. 4 is a bottom plan view thereof; FIG. 5 is a rear elevational view thereof; FIG. 6 is a left side elevational view thereof; and, FIG. 7 is a right side elevational view thereof.

1 Claim, 3 Drawing Sheets

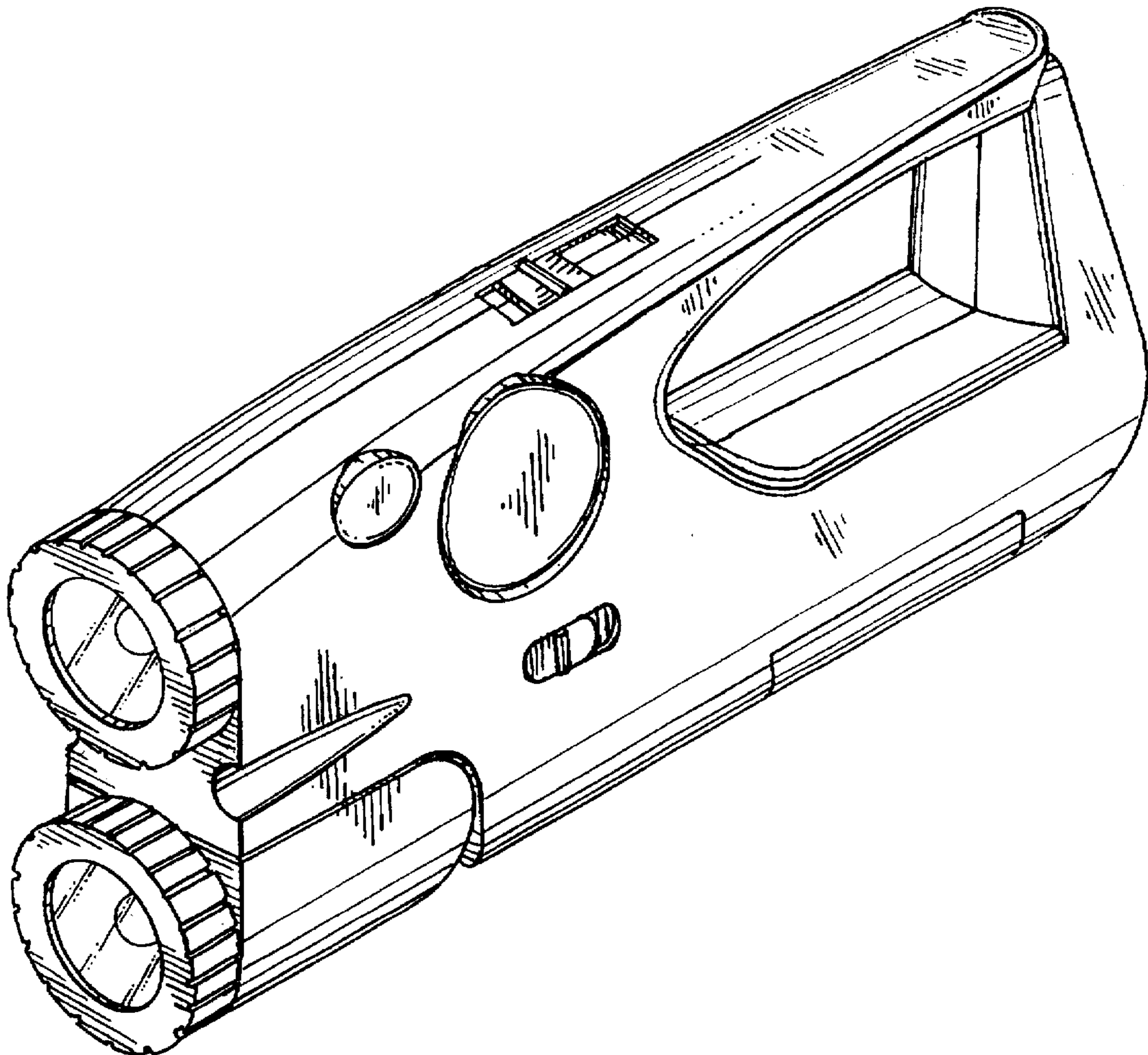


FIG. 1

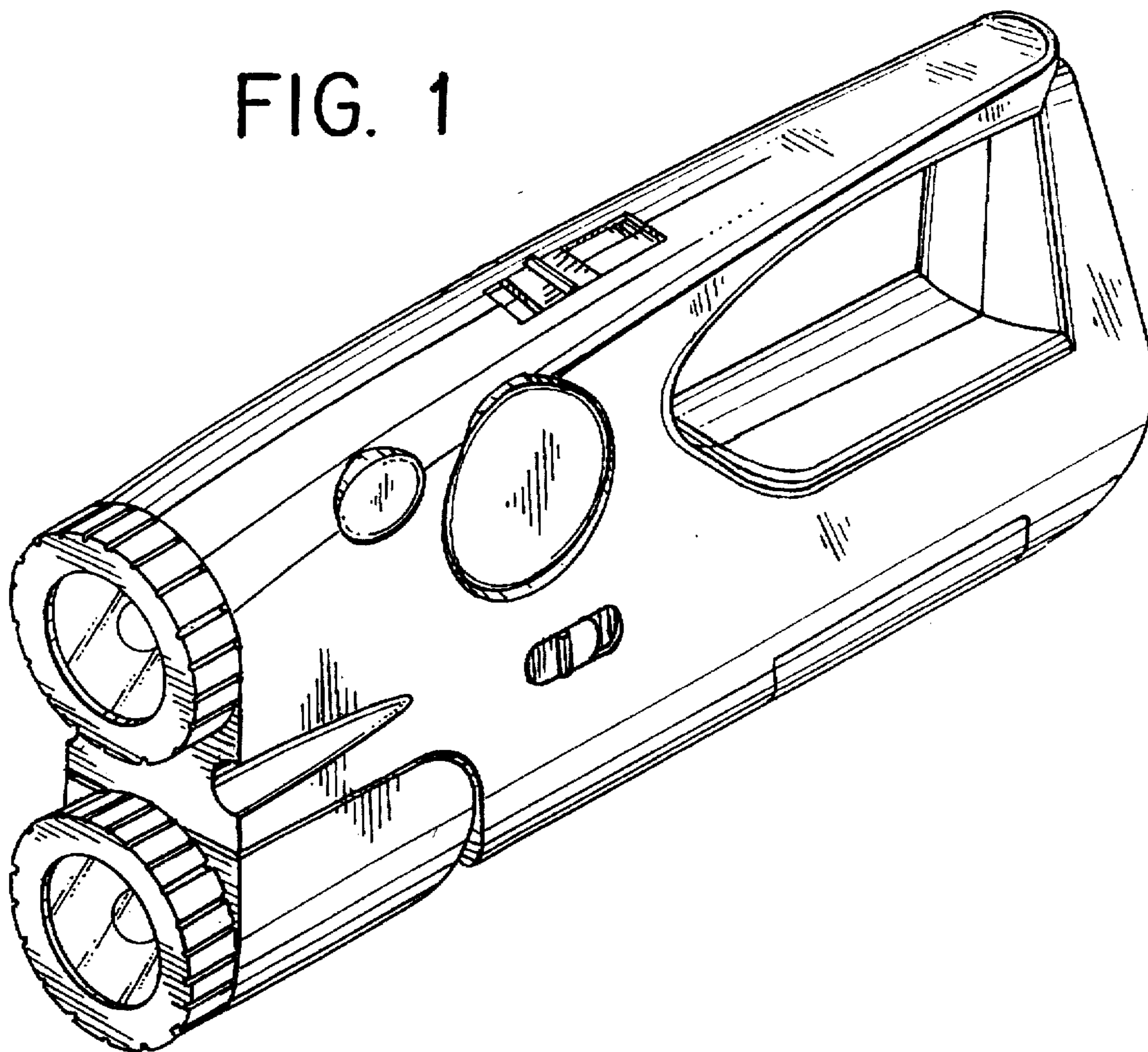


FIG. 2

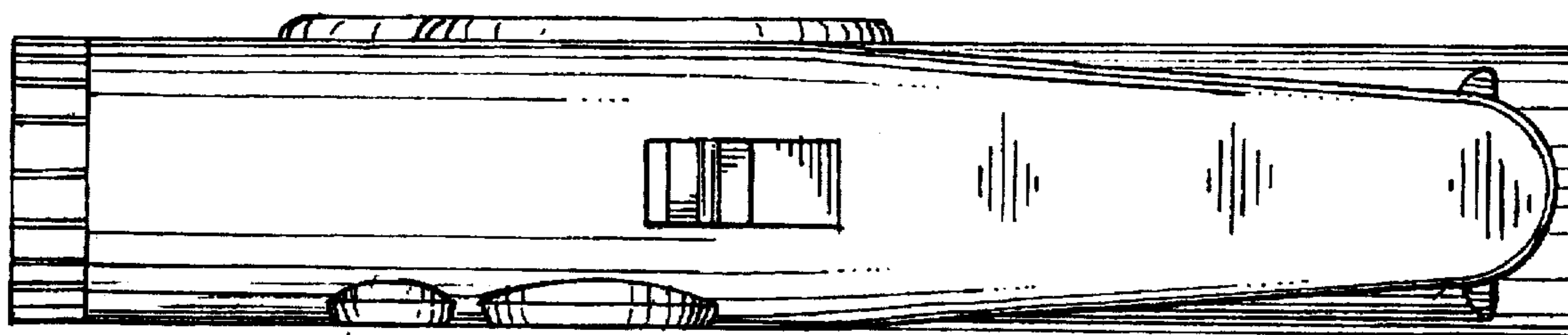


FIG. 3

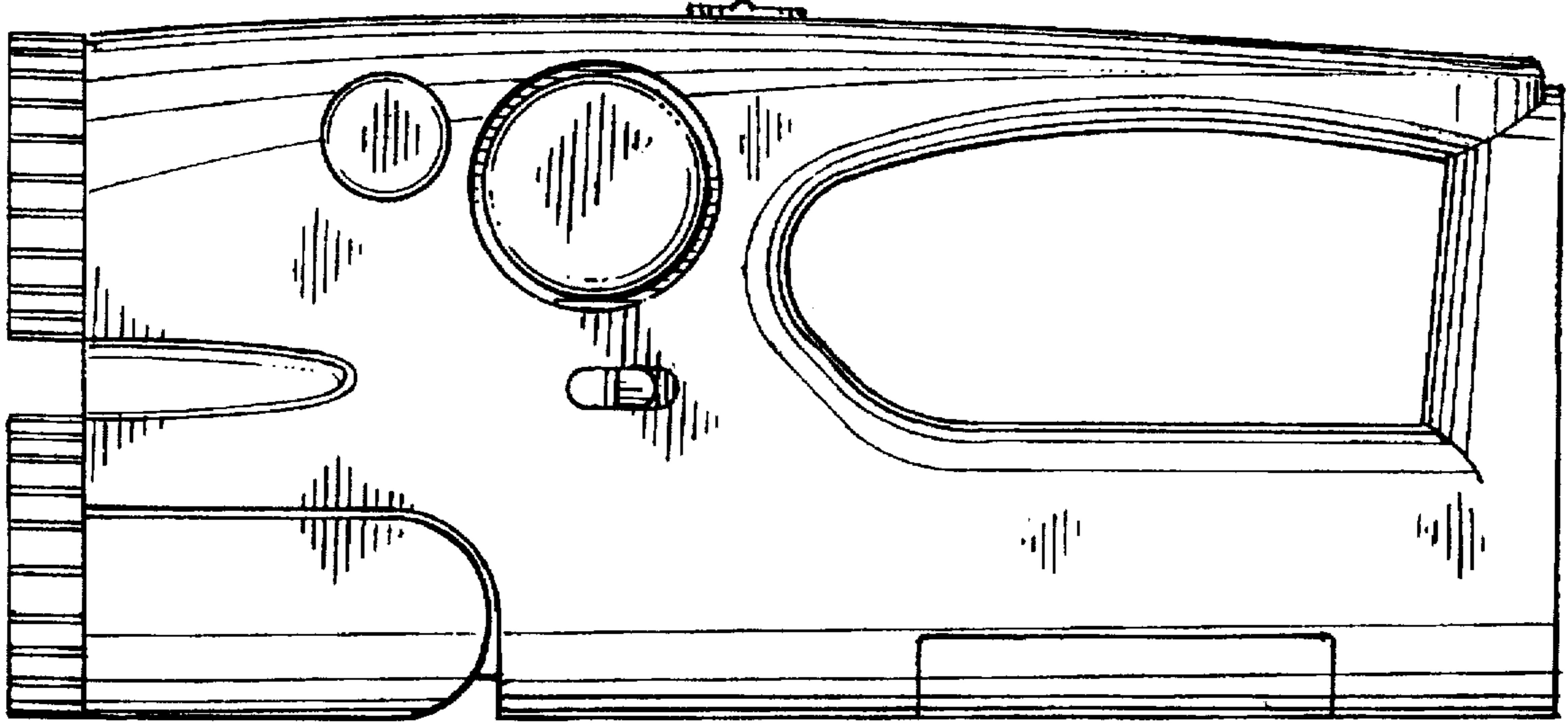


FIG. 4

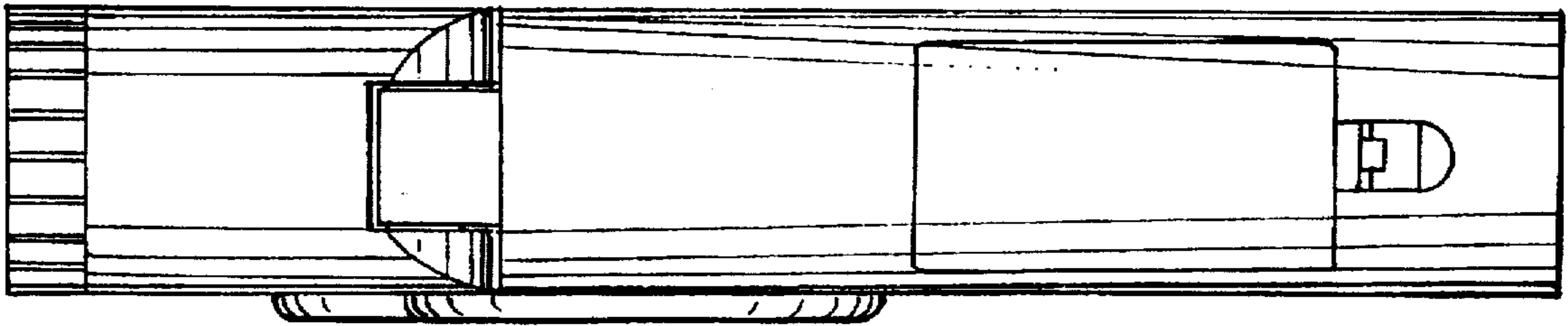


FIG. 5

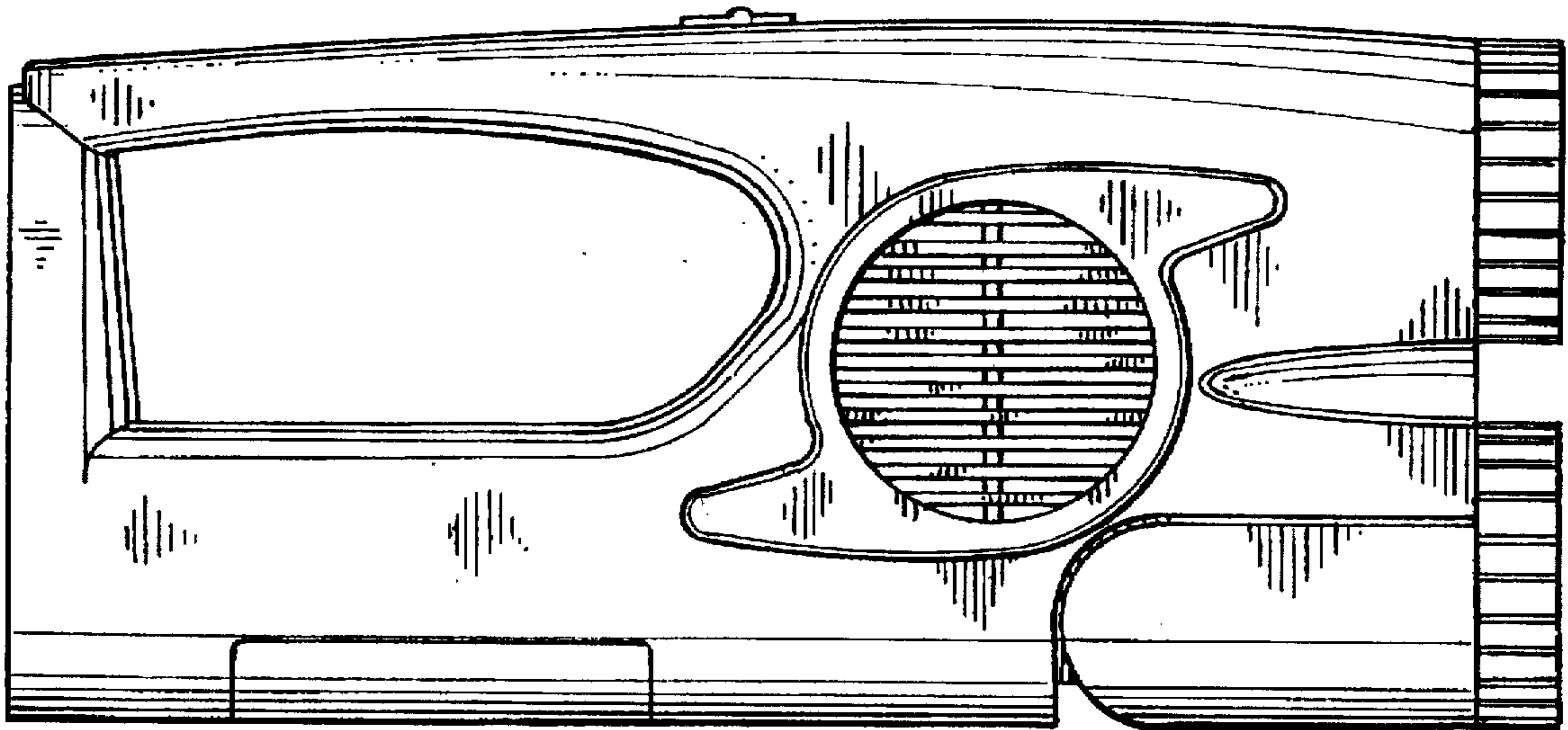


FIG. 6

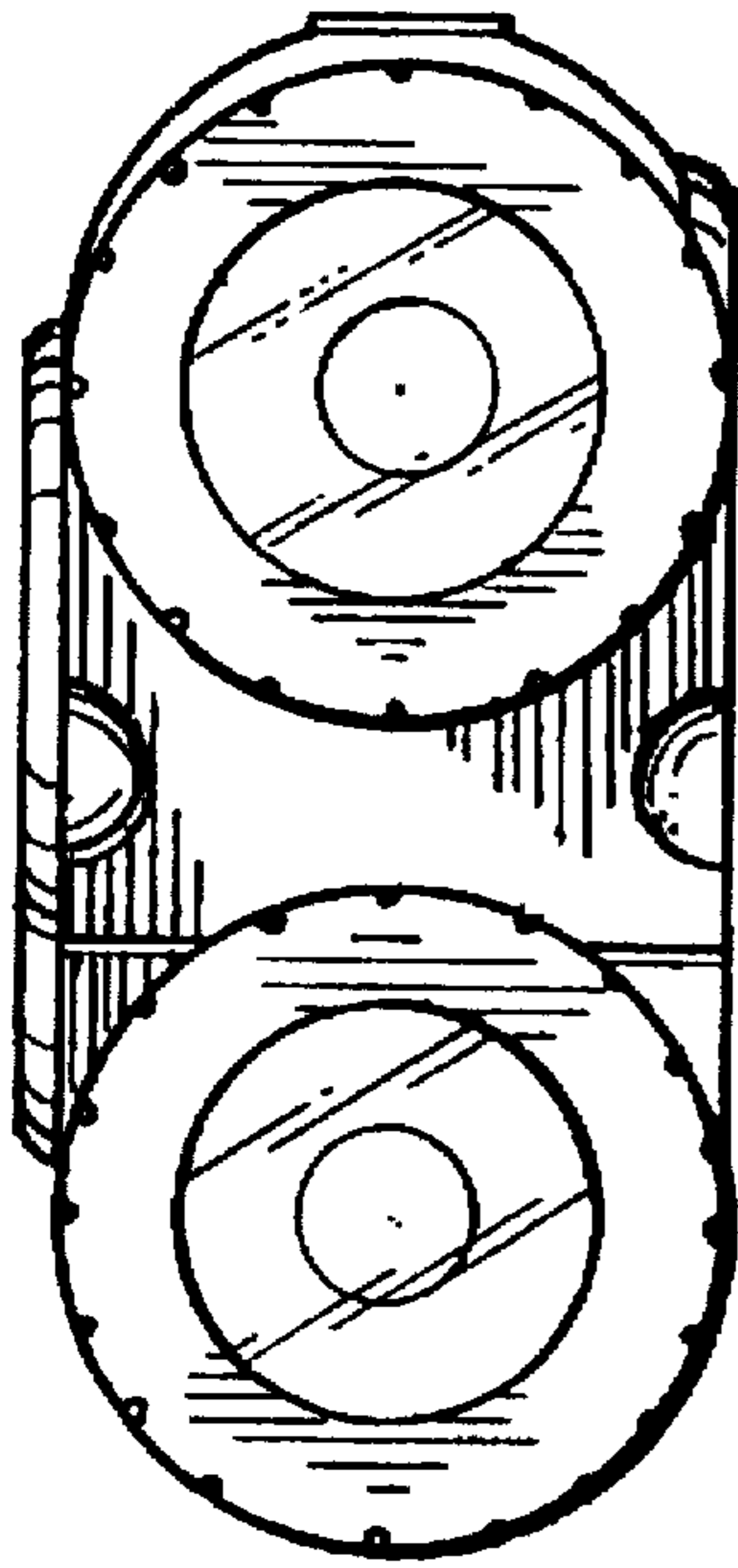


FIG. 7

