



US00D383753S

United States Patent [19]

Yuen

[11] Patent Number: Des. 383,753

[45] Date of Patent: ***Sep. 16, 1997

[54] **COMBINED RADIO, SIREN, SPOTLIGHT, FLUORESCENT LAMP AND FLASHING LIGHT**

[75] Inventor: **John Se-Kit Yuen**, Kowloon, Hong Kong

[73] Assignee: **John Manufacturing Limited**, Kowloon, Hong Kong

[*] Notice: The portion of the term of this patent subsequent to Jan. 7, 2011, has been disclaimed.

[**] Term: **14 Years**

[21] Appl. No.: **46,549**

[22] Filed: **Nov. 20, 1995**

[30] **Foreign Application Priority Data**

May 31, 1995 [GB] United Kingdom 2 047 842

[51] LOC (6) Cl. **14-01**

[52] U.S. Cl. **D14/168**

[58] Field of Search D14/168, 188-189, D14/192-198; D26/38, 48, 50; 455/344, 347, 350, 351

[56] **References Cited**

U.S. PATENT DOCUMENTS

- D. 287,292 12/1986 Yuen D26/38
- D. 293,481 12/1987 Ohashi D26/38
- D. 302,013 7/1989 Yuen D14/168
- D. 354,054 1/1995 Shitama D14/168 X

FOREIGN PATENT DOCUMENTS

- 2 007 195 11/1990 United Kingdom .
- 2 016 495 2/1992 United Kingdom .
- 2 017 379 4/1992 United Kingdom .
- 2 023 087 11/1992 United Kingdom .
- 2 028 287 4/1993 United Kingdom .

OTHER PUBLICATIONS

Hong Kong Enterprise, Jun. 1993 p. 709, SR-30 Searchlight Radio with Florescent Light.

Primary Examiner—Sandra L. Morris

Assistant Examiner—Nanda Bondade

Attorney, Agent, or Firm—Fay, Sharpe, Beall, Fagan, Minnich & McKee

[57] **CLAIM**

The ornamental design for a combined radio, siren, spotlight, fluorescent lamp and flashing light, as shown and described.

DESCRIPTION

FIG. 1 is a right side elevational view of a combined radio, siren, spotlight, fluorescent lamp and flashing light showing my new design;

FIG. 2 is a front elevational view thereof;

FIG. 3 is a left side elevational view thereof;

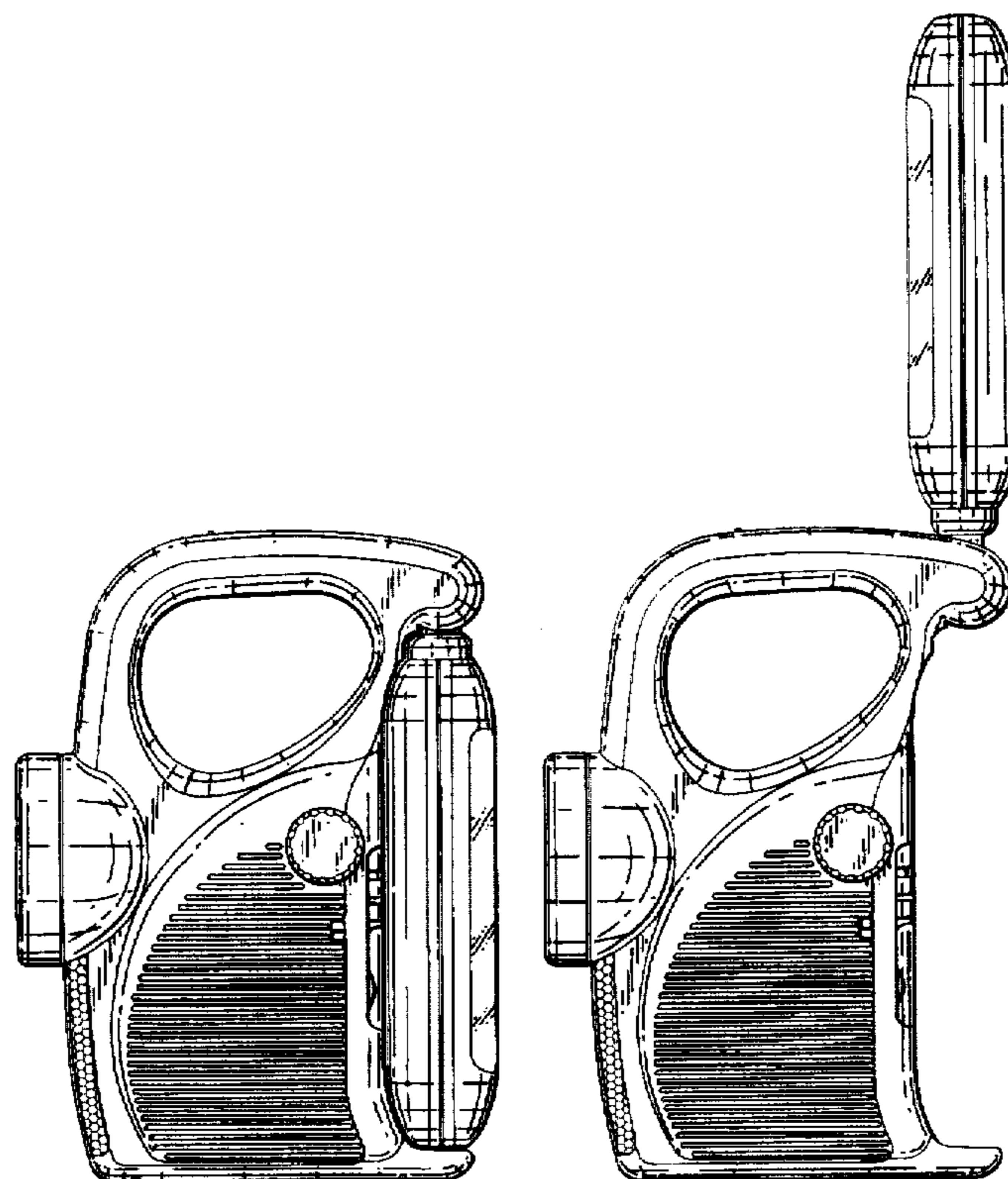
FIG. 4 is a rear elevational view thereof;

FIG. 5 is a top plan view thereof;

FIG. 6 is a bottom plan view thereof; and,

FIG. 7 is a right side elevational view showing a part in an alternative position.

1 Claim, 3 Drawing Sheets



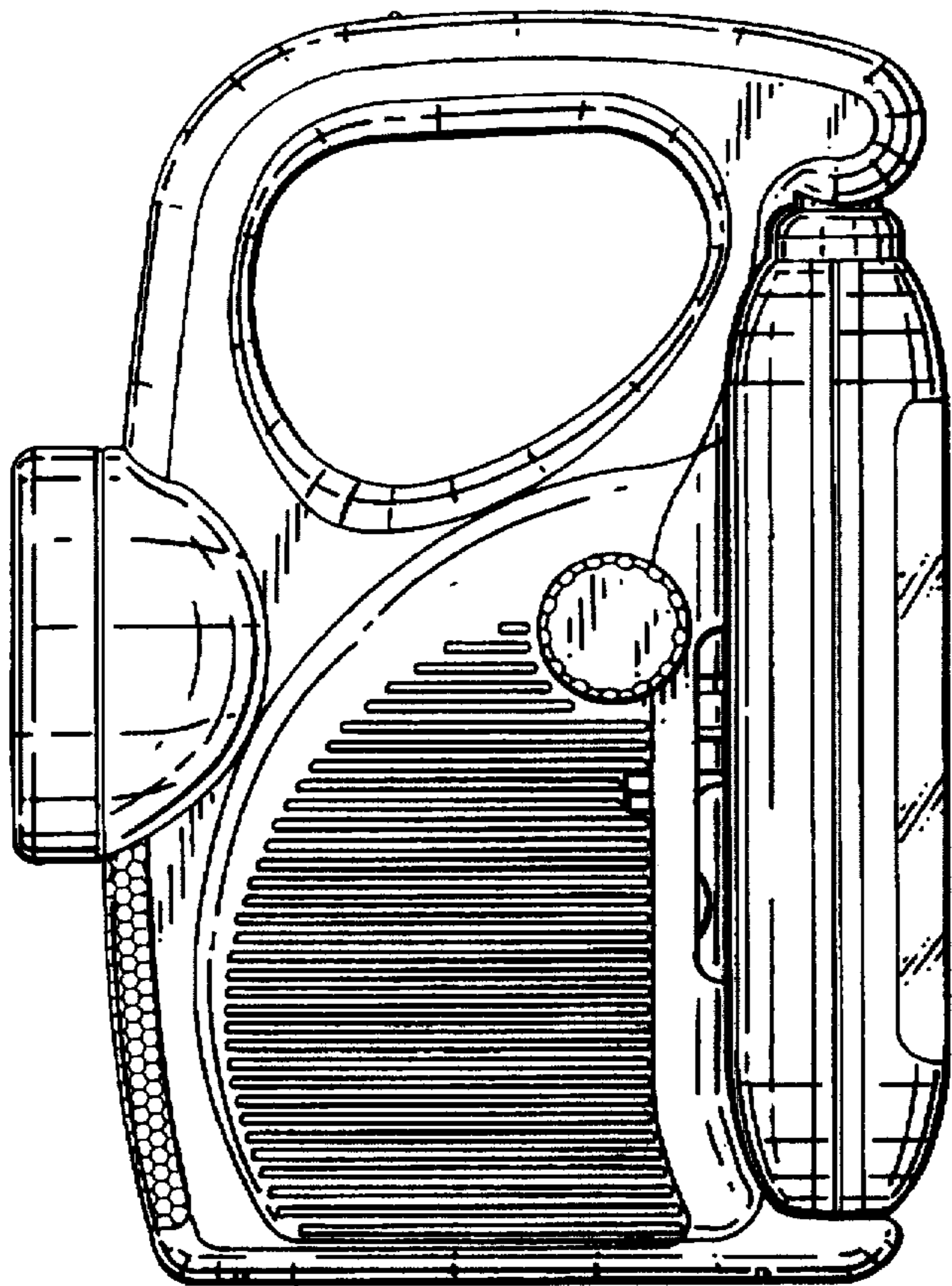


FIG. 1

FIG. 2

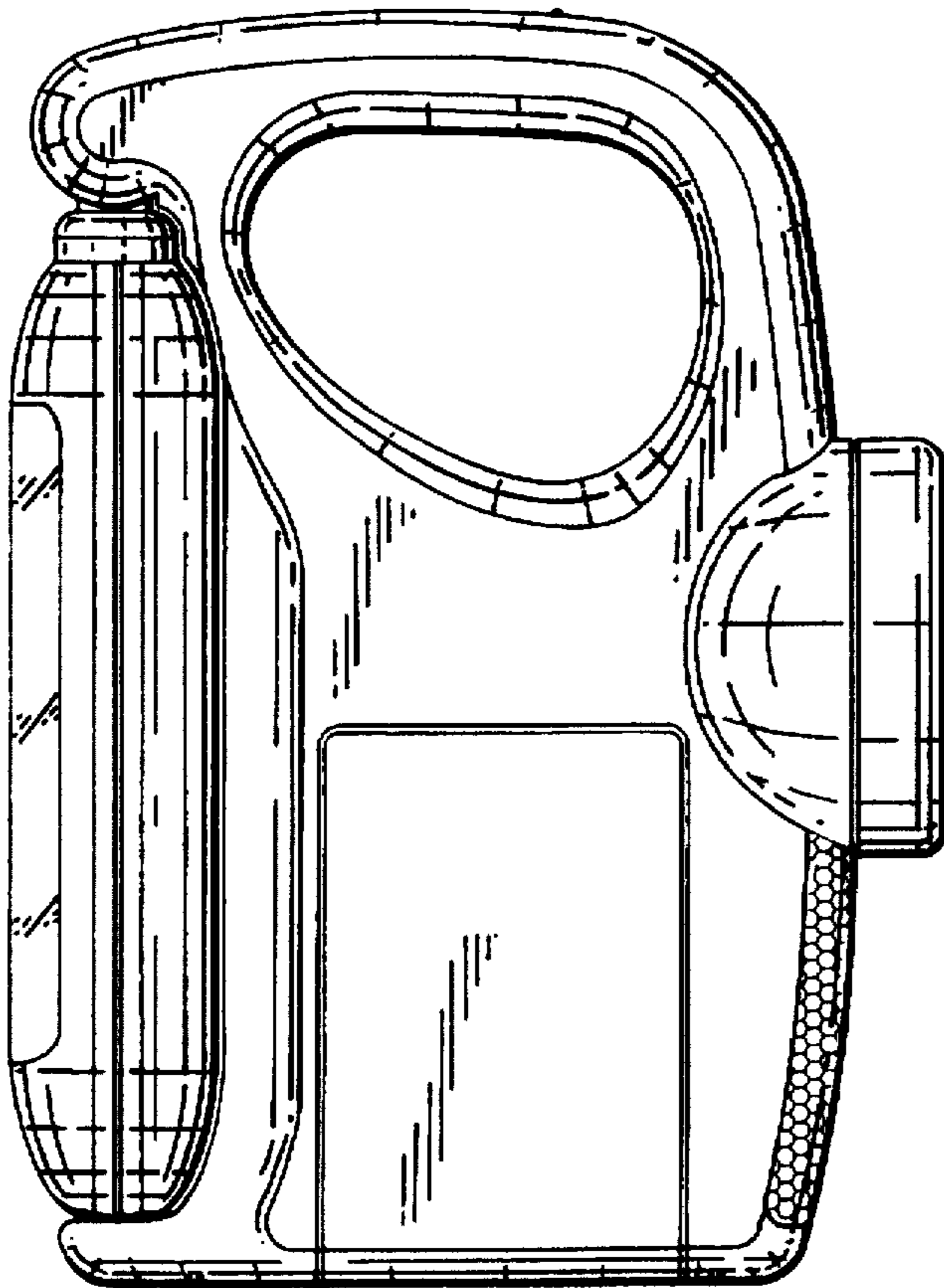
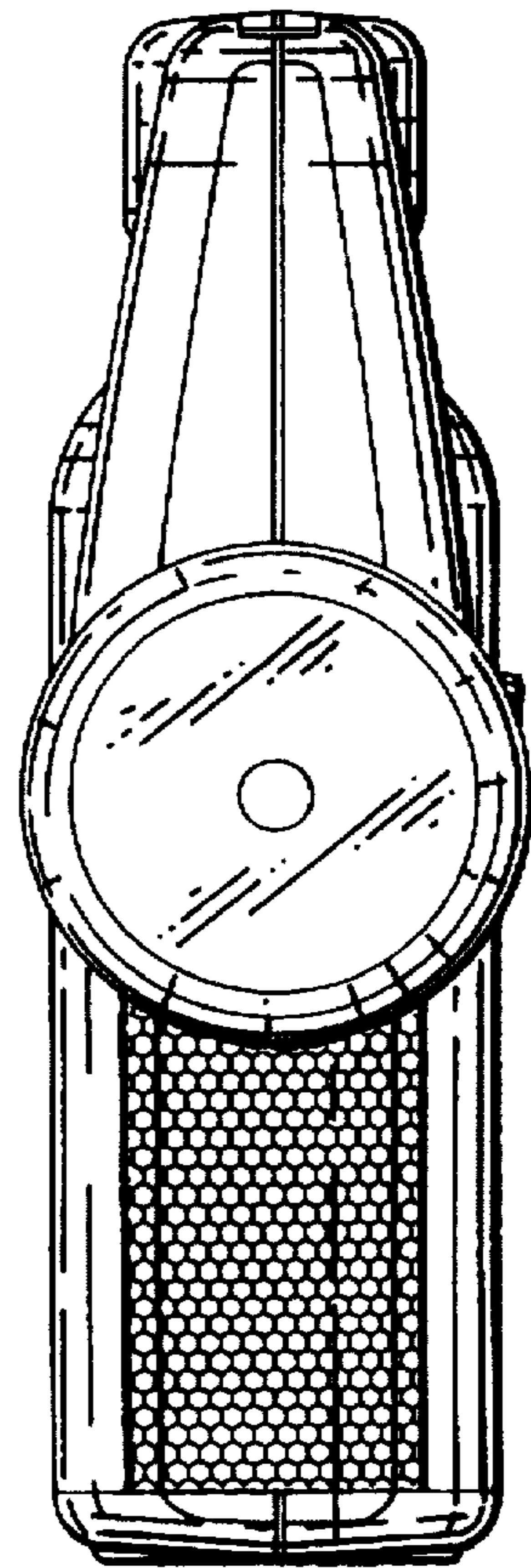


FIG. 3

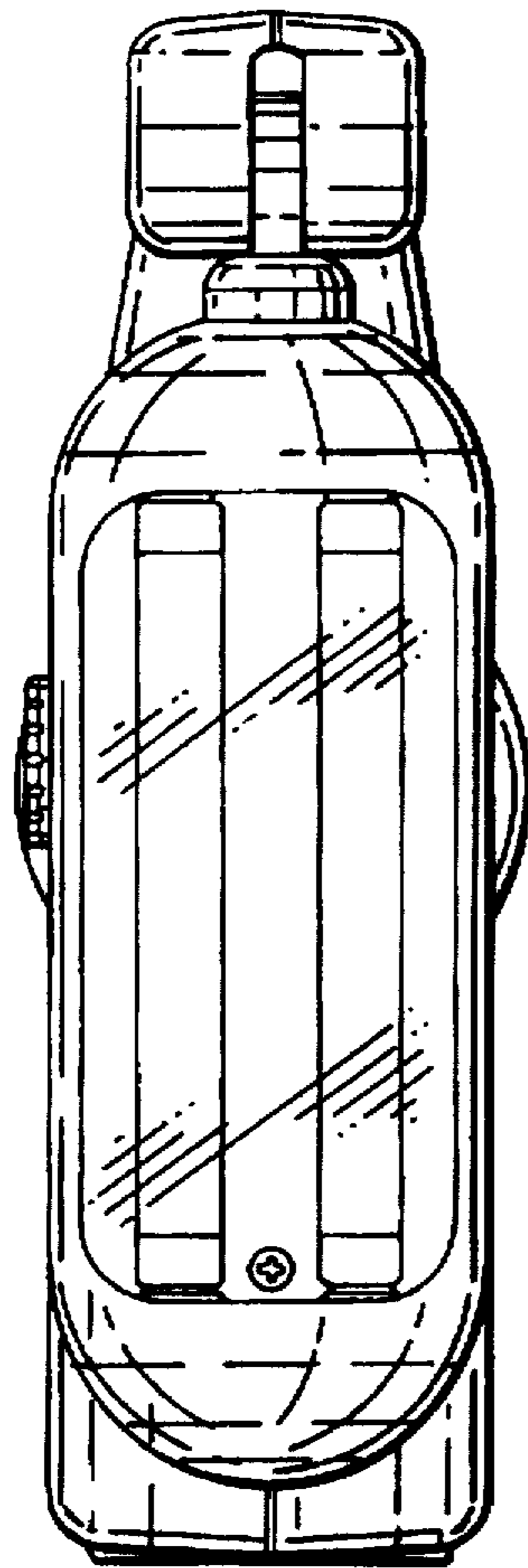


FIG. 4

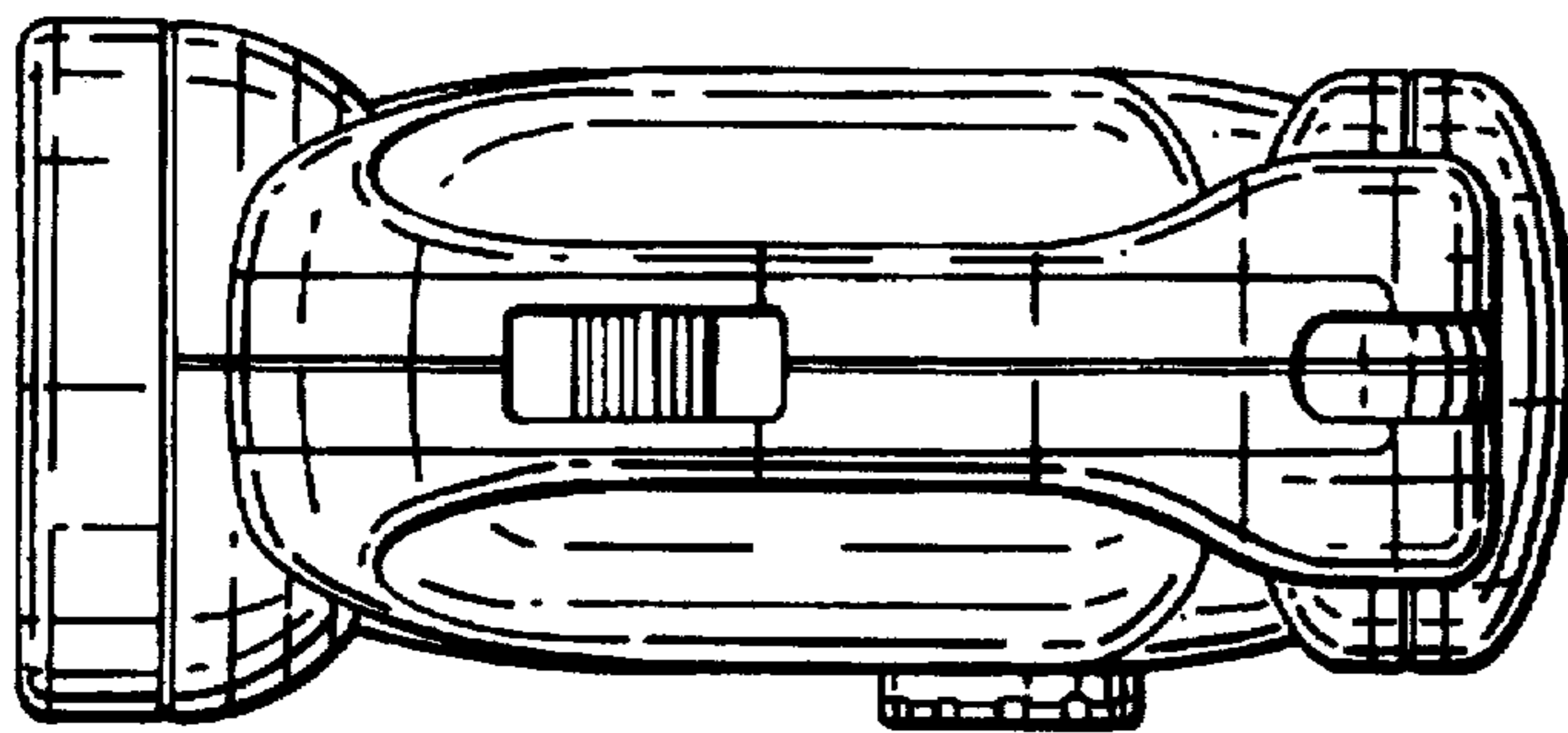


FIG. 5

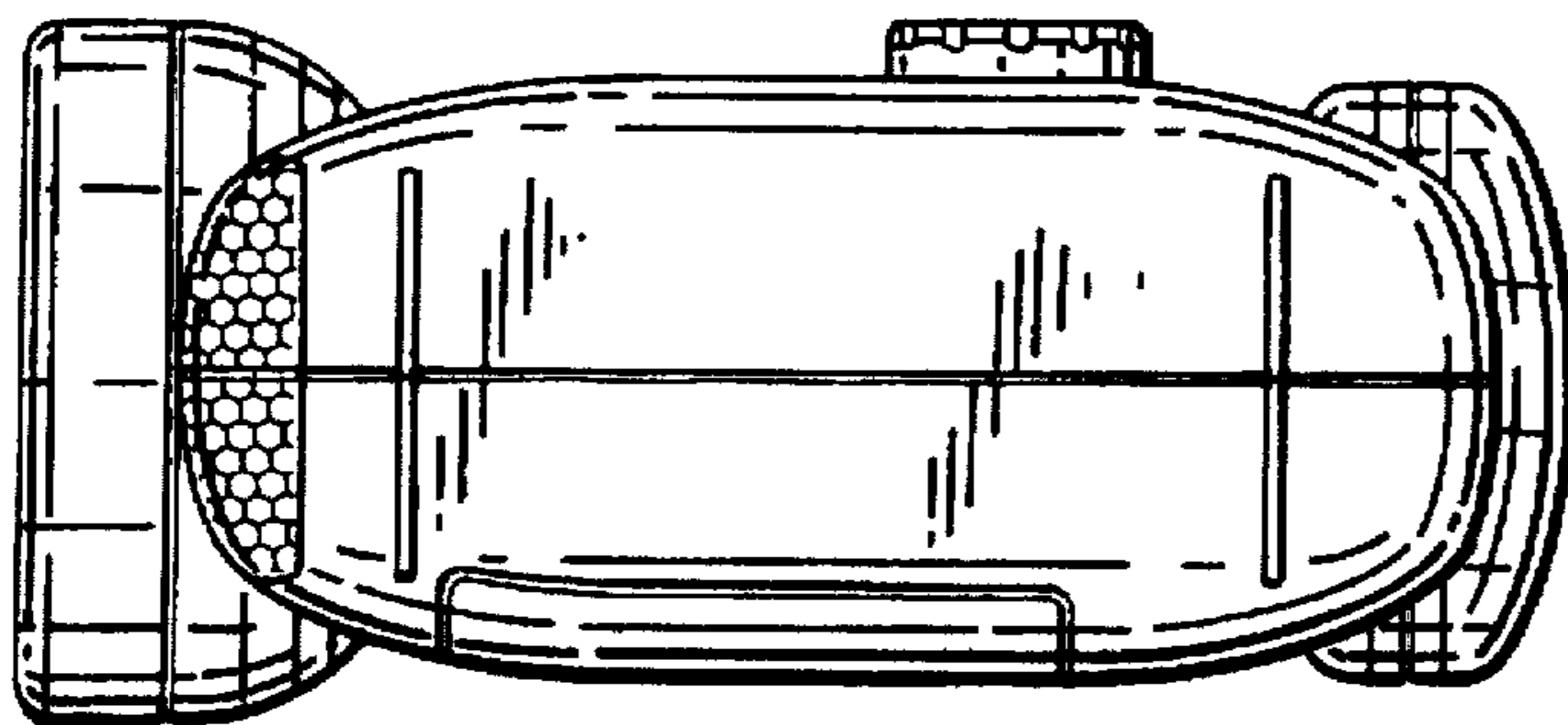


FIG. 6

FIG. 7

