

US00D383751S

United States Patent [19]
Zeitman

[11] **Patent Number: Des. 383,751**
[45] **Date of Patent: **Sep. 16, 1997**

[54] **CASSETTE PLAYER**

[75] **Inventor: Josh Zeitman, Brooklyn, N.Y.**

[73] **Assignee: Lennox Electronics Corp., Brooklyn, N.Y.**

[**] **Term: 14 Years**

[21] **Appl. No.: 53,802**

[22] **Filed: Apr. 30, 1996**

[51] **LOC (6) Cl. 14-01**

[52] **U.S. Cl. D14/165; D14/226**

[58] **Field of Search D14/160-168, D14/188, 225, 226, 260; D21/111-113; 455/344, 350, 351**

[56] **References Cited**

U.S. PATENT DOCUMENTS

- D. 290,843 7/1987 Murphy D14/196 X
- D. 304,832 11/1989 Murphy D14/165
- D. 320,016 9/1991 To Yung Pang D14/163

- D. 350,132 8/1994 Klitsner et al. D14/168 X
- D. 363,484 10/1995 Klitsner et al. D14/198 X

Primary Examiner—Sandra L. Morris
Assistant Examiner—Nanda Bondade
Attorney, Agent, or Firm—Burns, Doane, Swecker & Mathis

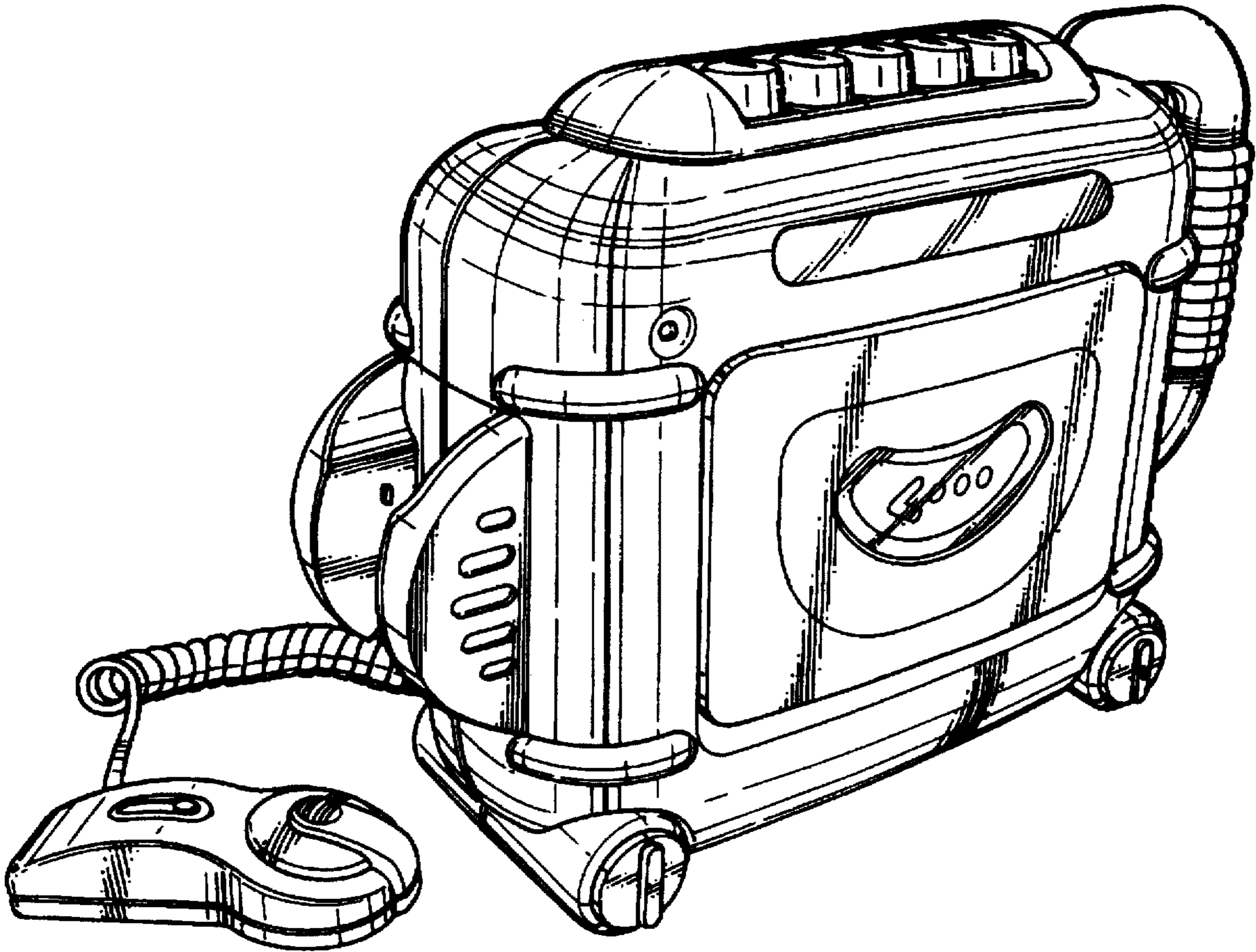
[57] **CLAIM**

The ornamental design for a cassette player, as shown and described.

DESCRIPTION

FIG. 1 is a perspective view of a cassette player showing my new design;
FIG. 2 is a front view thereof;
FIG. 3 is a rear view thereof;
FIG. 4 is a left side elevational view thereof;
FIG. 5 is a right side elevational view thereof;
FIG. 6 is a top plan view thereof; and,
FIG. 7 is a bottom plan view thereof.
In FIG. 1, the microphone is shown in an alternate position for clarity of illustration.

1 Claim, 4 Drawing Sheets



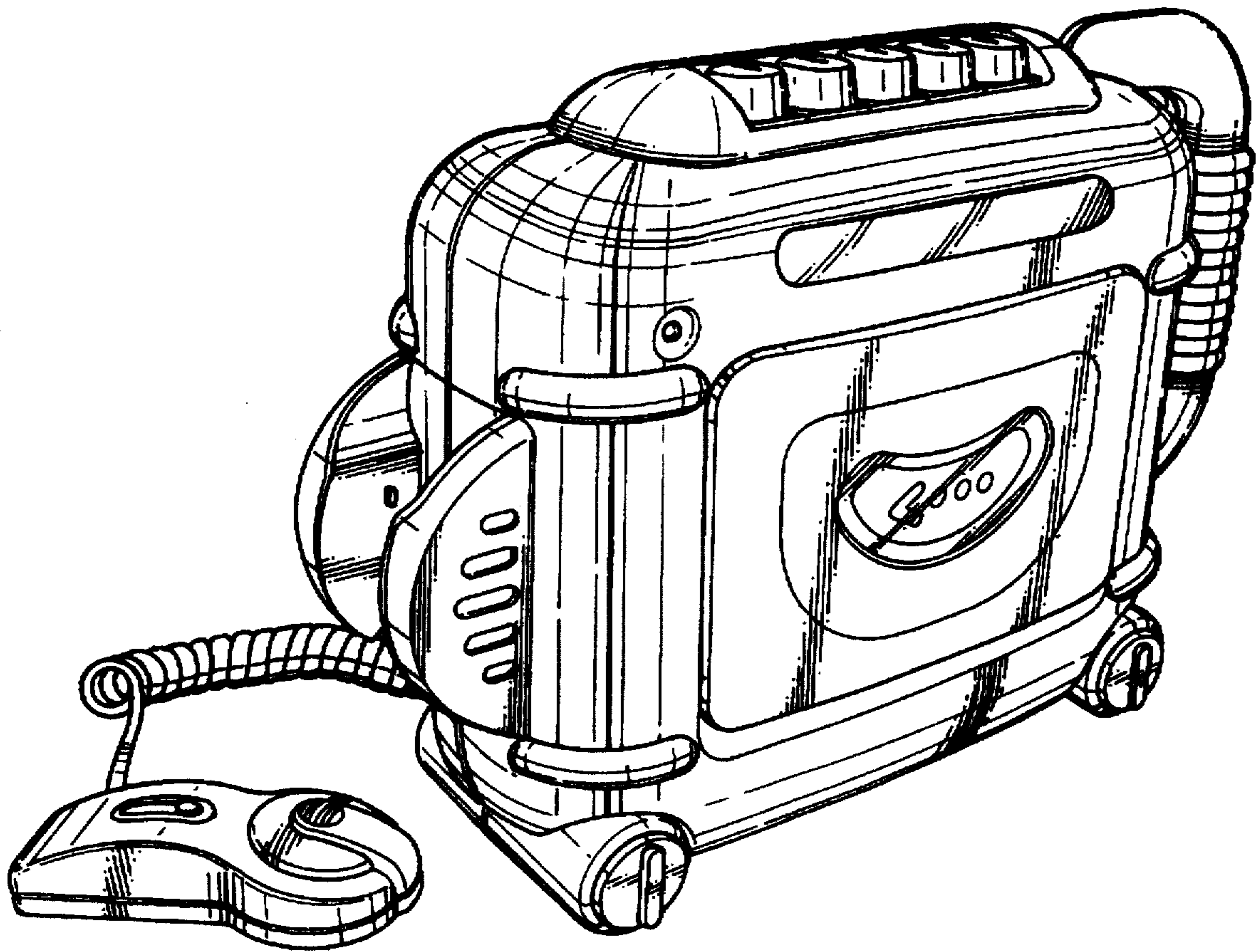


FIG. 1

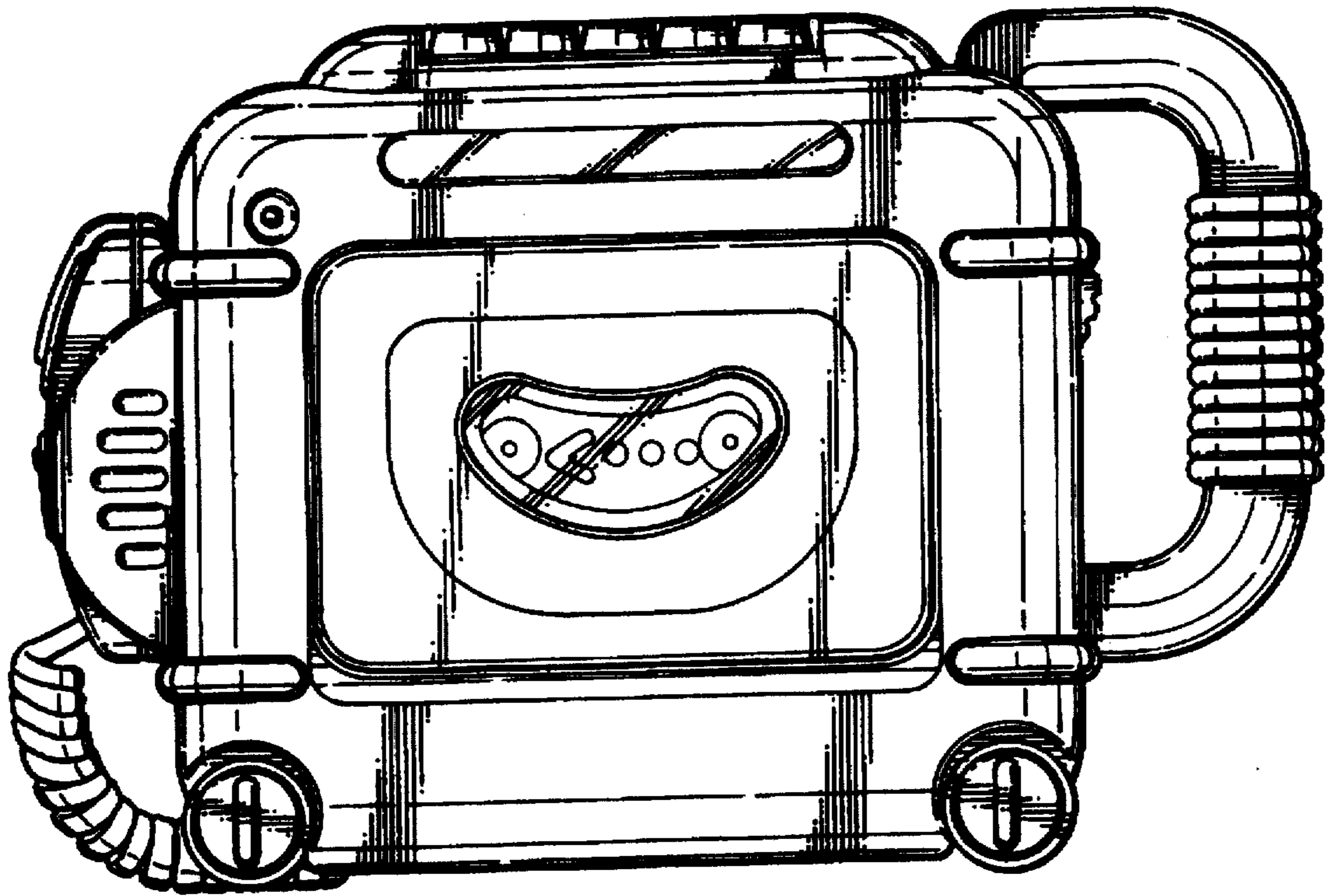


FIG. 2

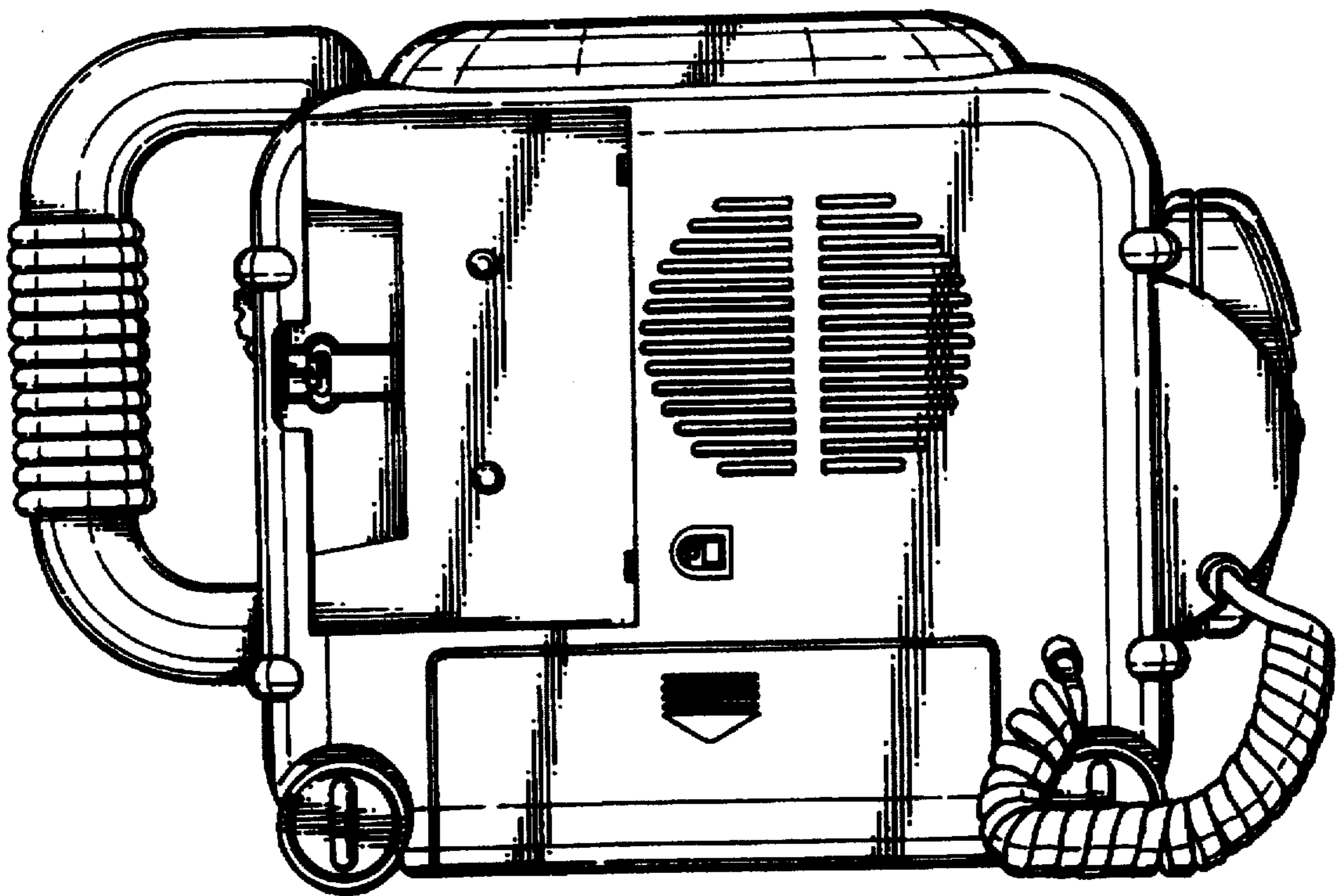


FIG. 3

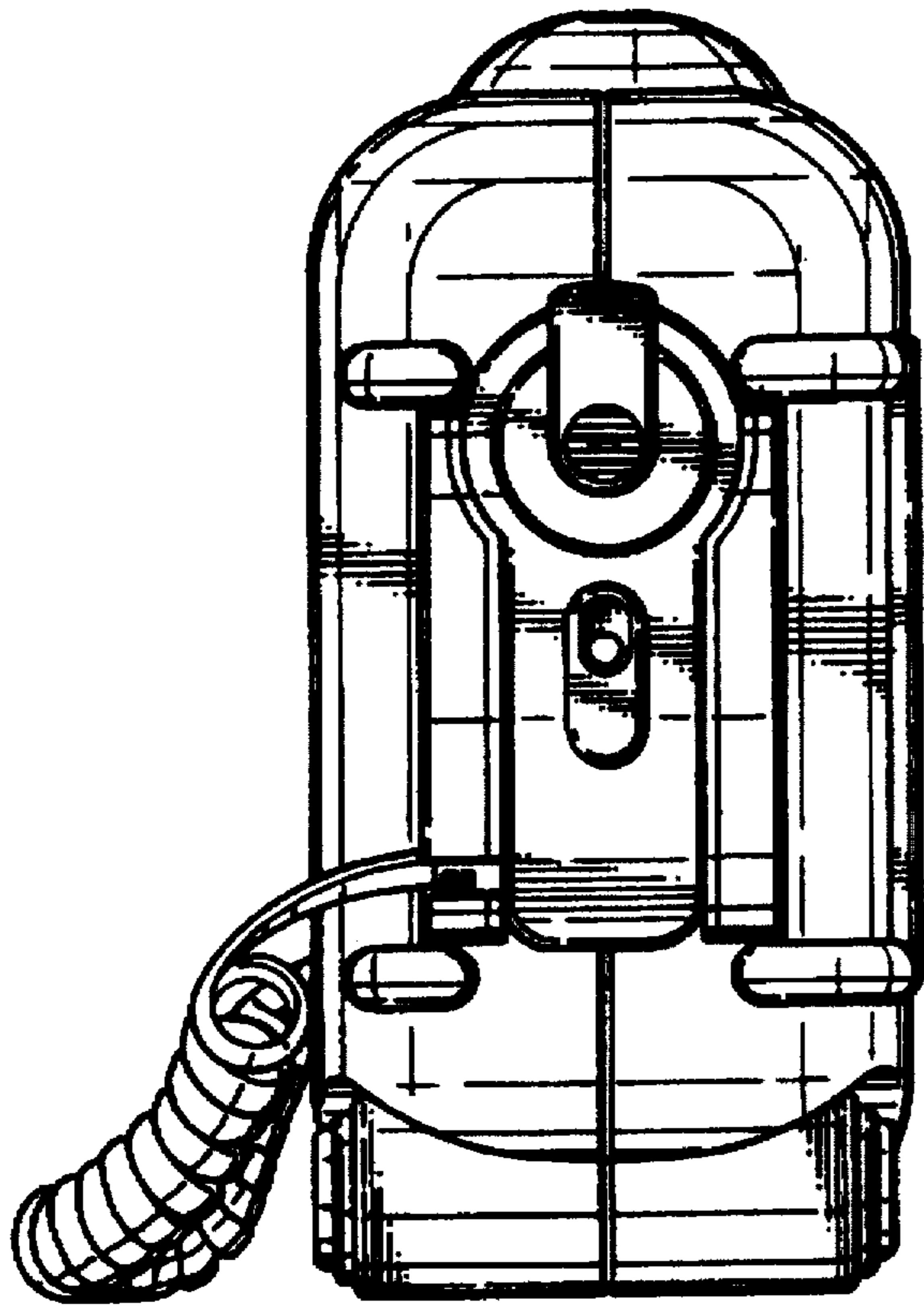
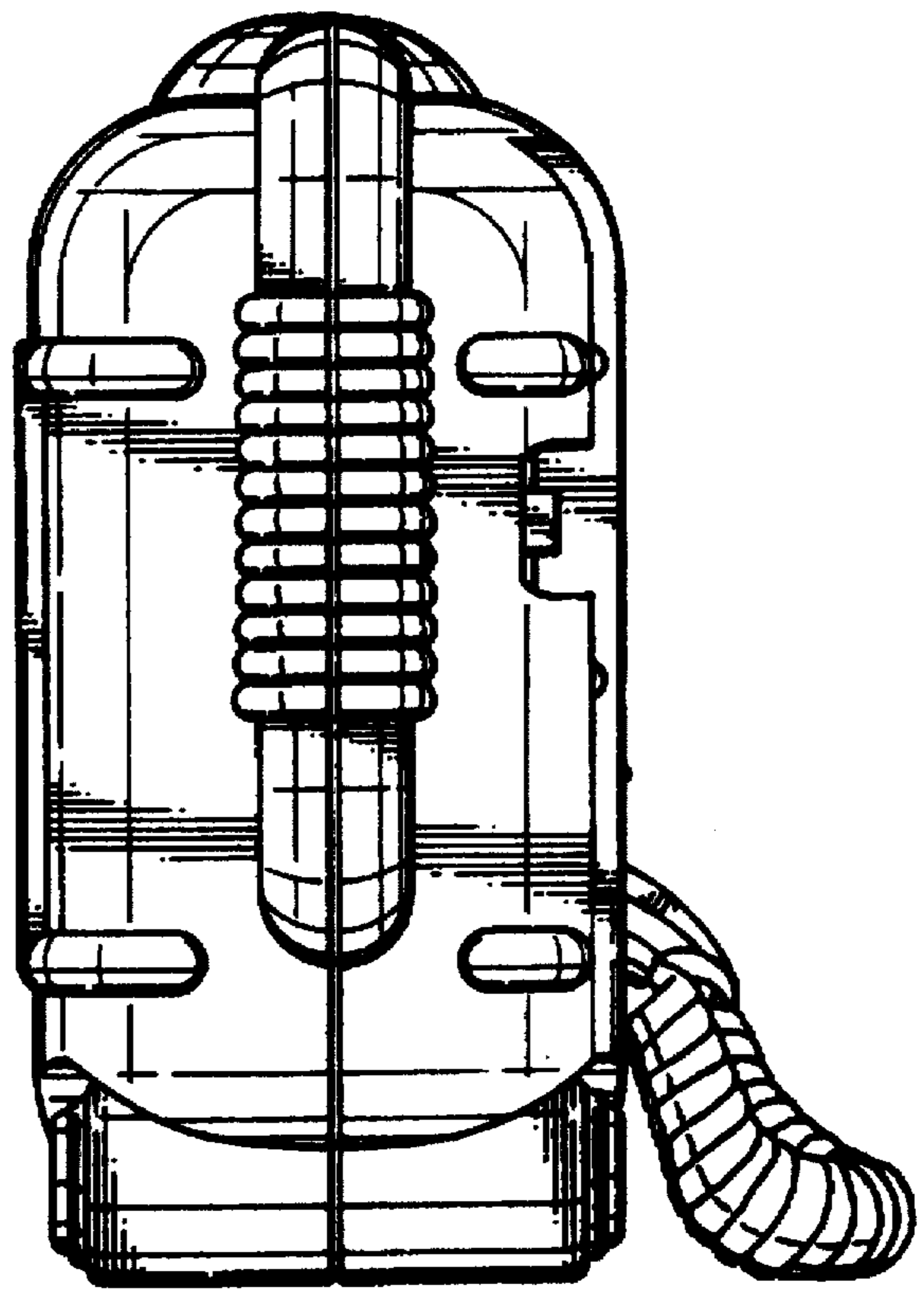


FIG. 4

FIG. 5



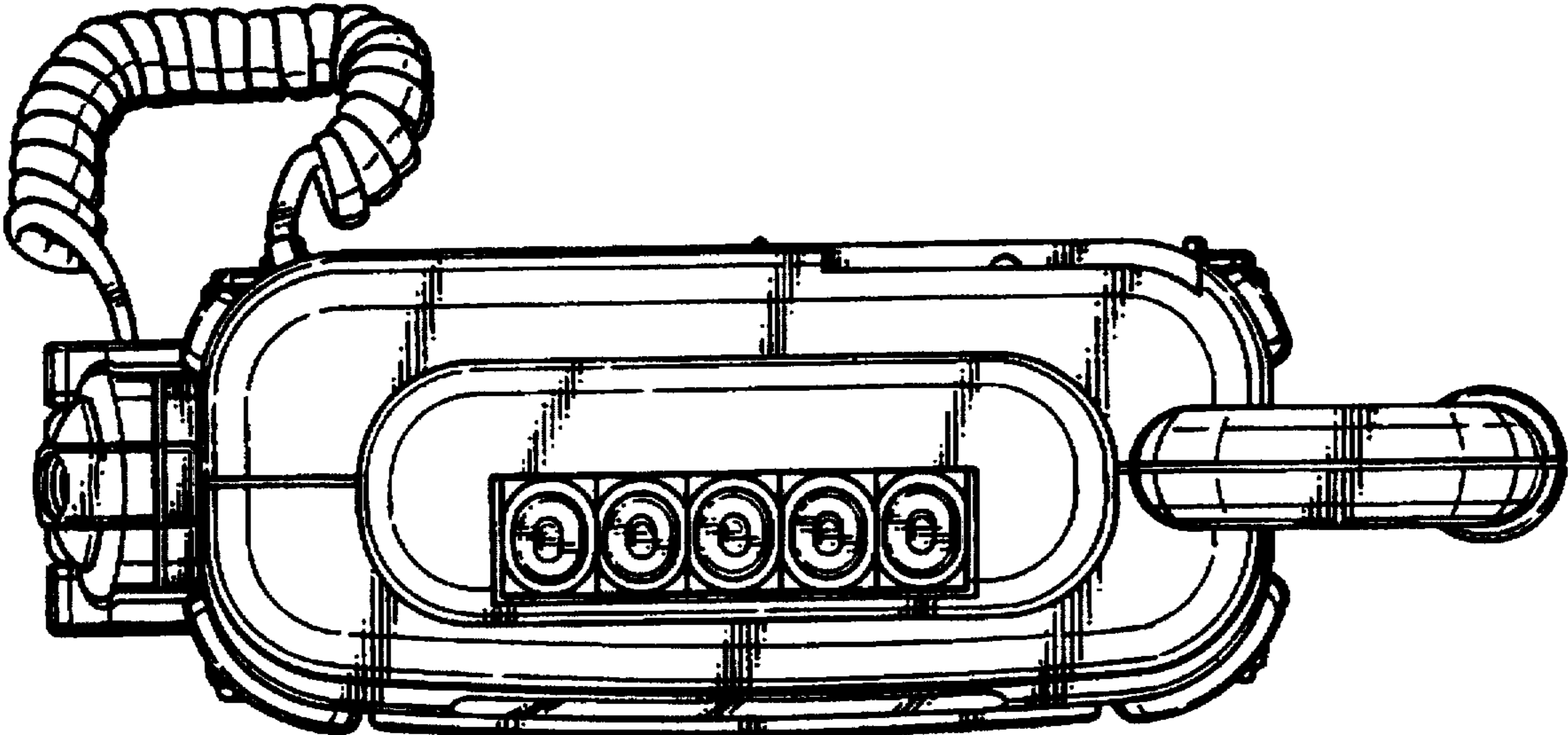


FIG. 6

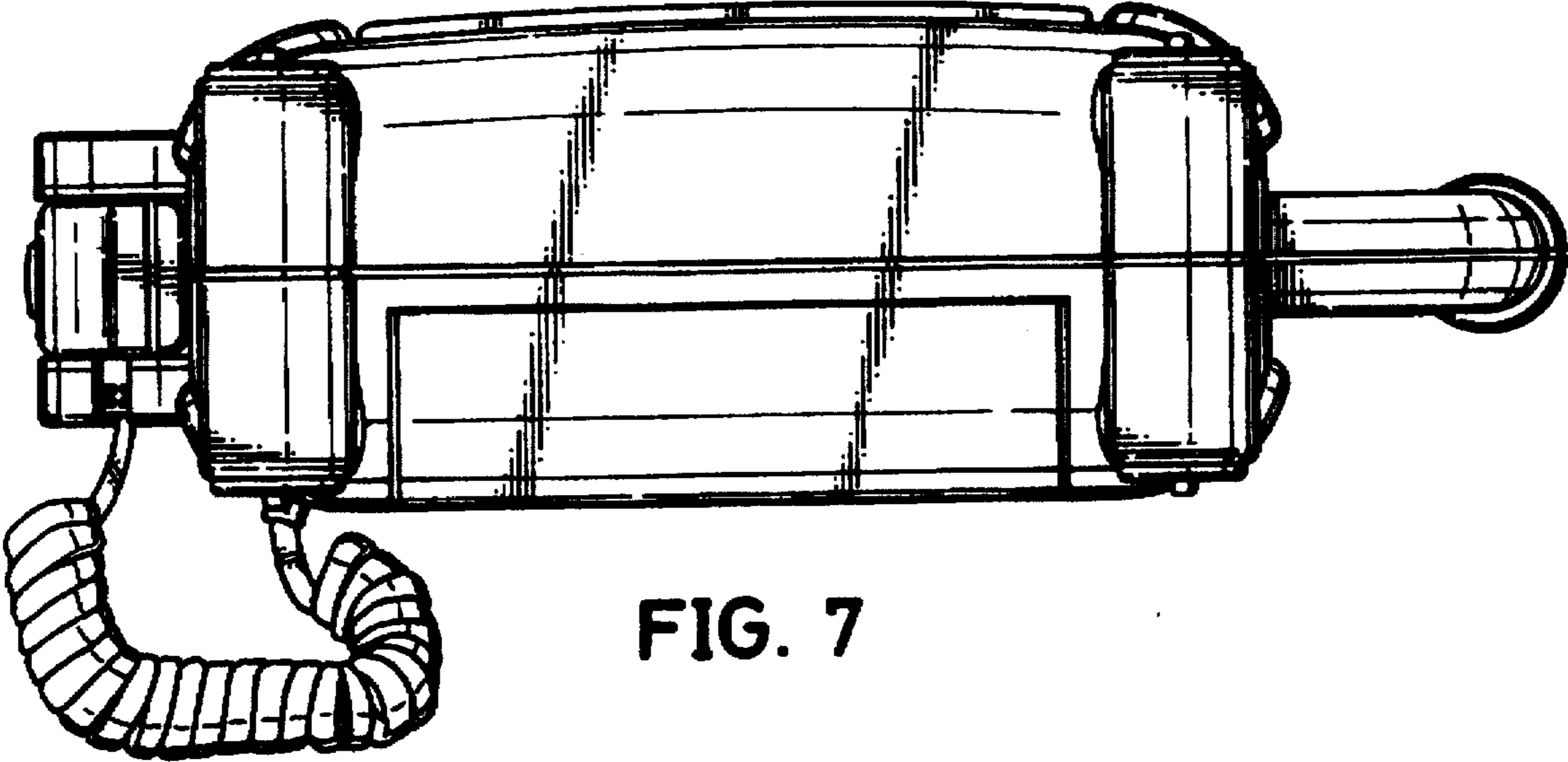


FIG. 7