



US00D383749S

United States Patent [19]

Nagele et al.

[11] Patent Number: Des. 383,749

[45] Date of Patent: **Sep. 16, 1997

[54] MODULAR BASE FOR A CORDLESS PORTABLE TELEPHONE

[75] Inventors: Albert Leo Nagele, Wilmette; Louis Lundell, Buffalo Grove; James Palmer, Deerfield; Sang Oh, Schaumburg; Leonid Soren, Lincolnwood, all of Ill.

[73] Assignee: Motorola, Inc., Schaumburg, Ill.

[**] Term: 14 Years

[21] Appl. No.: 57,414

[22] Filed: Jul. 24, 1996

[51] LOC (6) Cl. 14-03

[52] U.S. Cl. D14/149; D14/253

[58] Field of Search D14/137, 138, D14/140, 142, 149, 240, 251-253; D13/107, 108; 379/419, 420, 428, 440, 454, 455, 433-436; 455/89, 90

[56] **References Cited**

U.S. PATENT DOCUMENTS

- D. 275,482 9/1984 Coons et al. D14/253
- D. 284,958 8/1986 Tsuji D13/108
- D. 315,330 3/1991 Soren et al. D13/107

- D. 322,436 12/1991 Myoga D14/148 X
- D. 323,504 1/1992 Langton D14/253 X
- D. 343,841 2/1994 Hon et al. D14/240 X
- D. 346,786 5/1994 Nagele et al. D13/108
- D. 350,112 8/1994 Lin D13/108
- D. 363,284 10/1995 Solomita D14/253 X
- D. 363,717 10/1995 Soslomita D14/149
- D. 365,824 1/1996 Danielson et al. D14/253
- D. 373,585 9/1996 Nagele et al. D14/149

FOREIGN PATENT DOCUMENTS

0269096 6/1988 European Pat. Off. 379/455

Primary Examiner—Jeffrey Asch
Attorney, Agent, or Firm—John G. Rauch

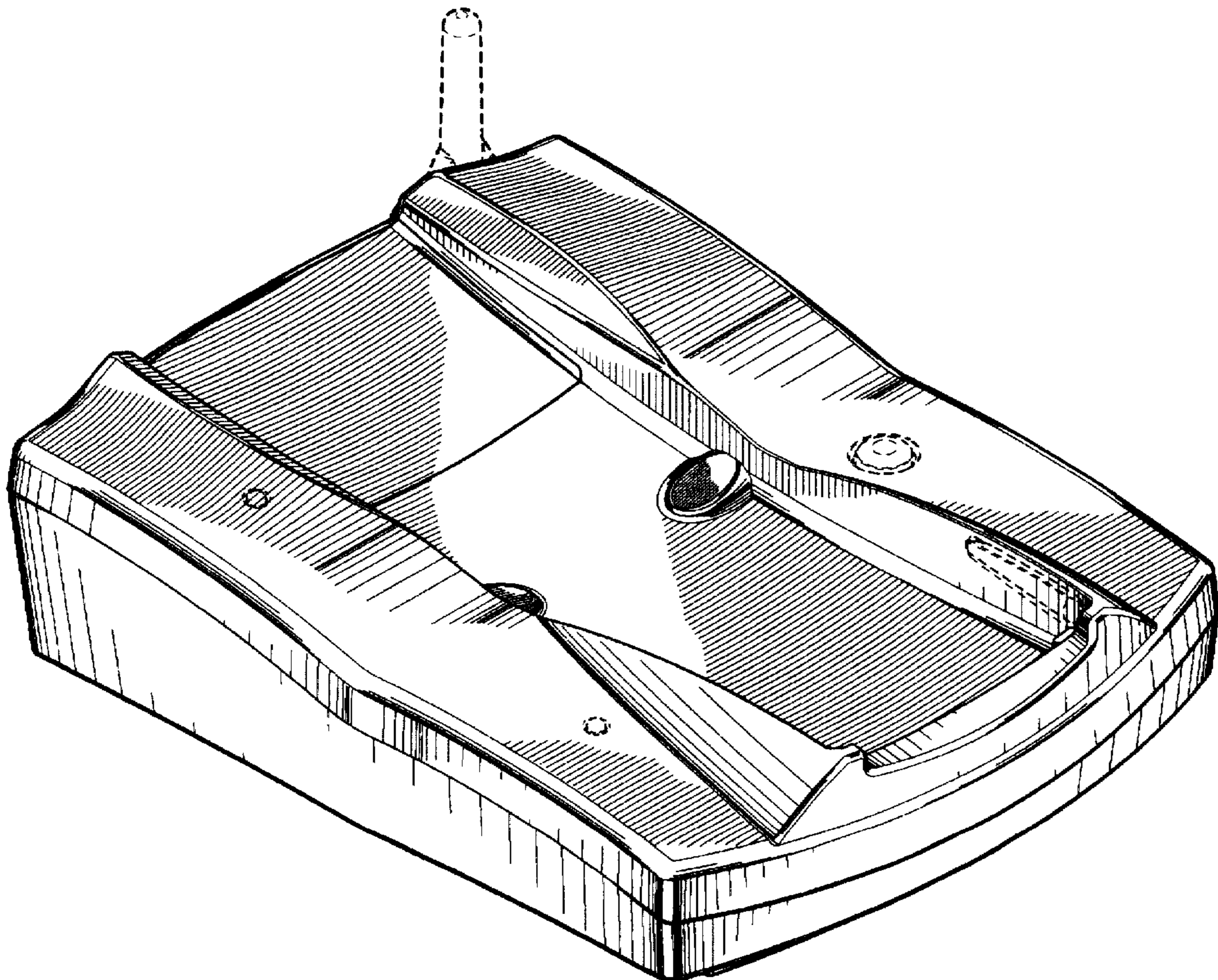
[57] **CLAIM**

The ornamental design for a modular base for a cordless portable telephone, as shown and described.

DESCRIPTION

FIG. 1 is a top, left, front perspective view of a modular base for a cordless portable telephone showing our new design; FIG. 2 is a right elevational view thereof; FIG. 3 is a rear elevational view thereof; and, FIG. 4 is a bottom plan view thereof. The broken lines shown in FIGS. 1-4 are for illustrative purposes only and form no part of the claimed design.

1 Claim, 2 Drawing Sheets



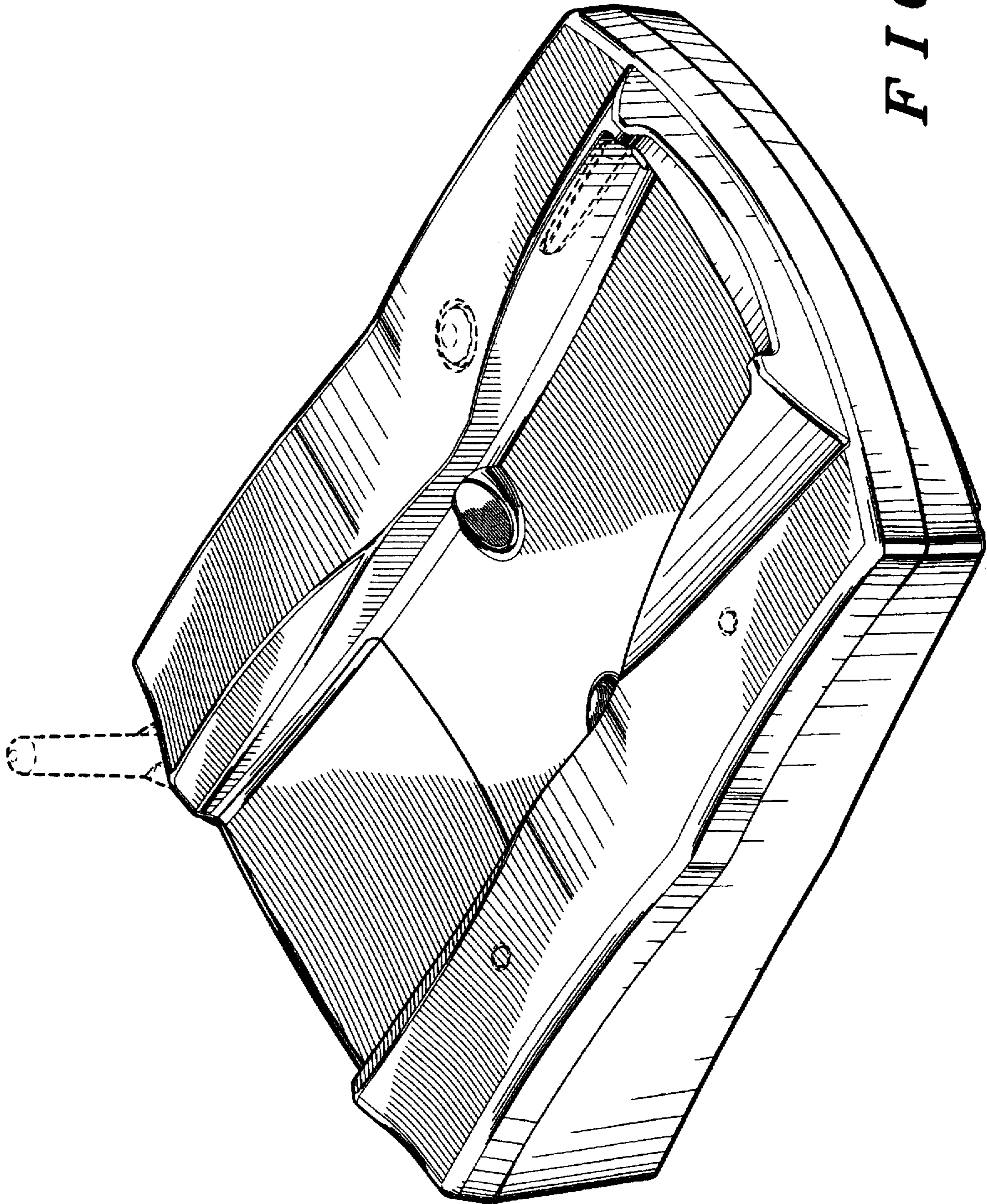


FIG. 1

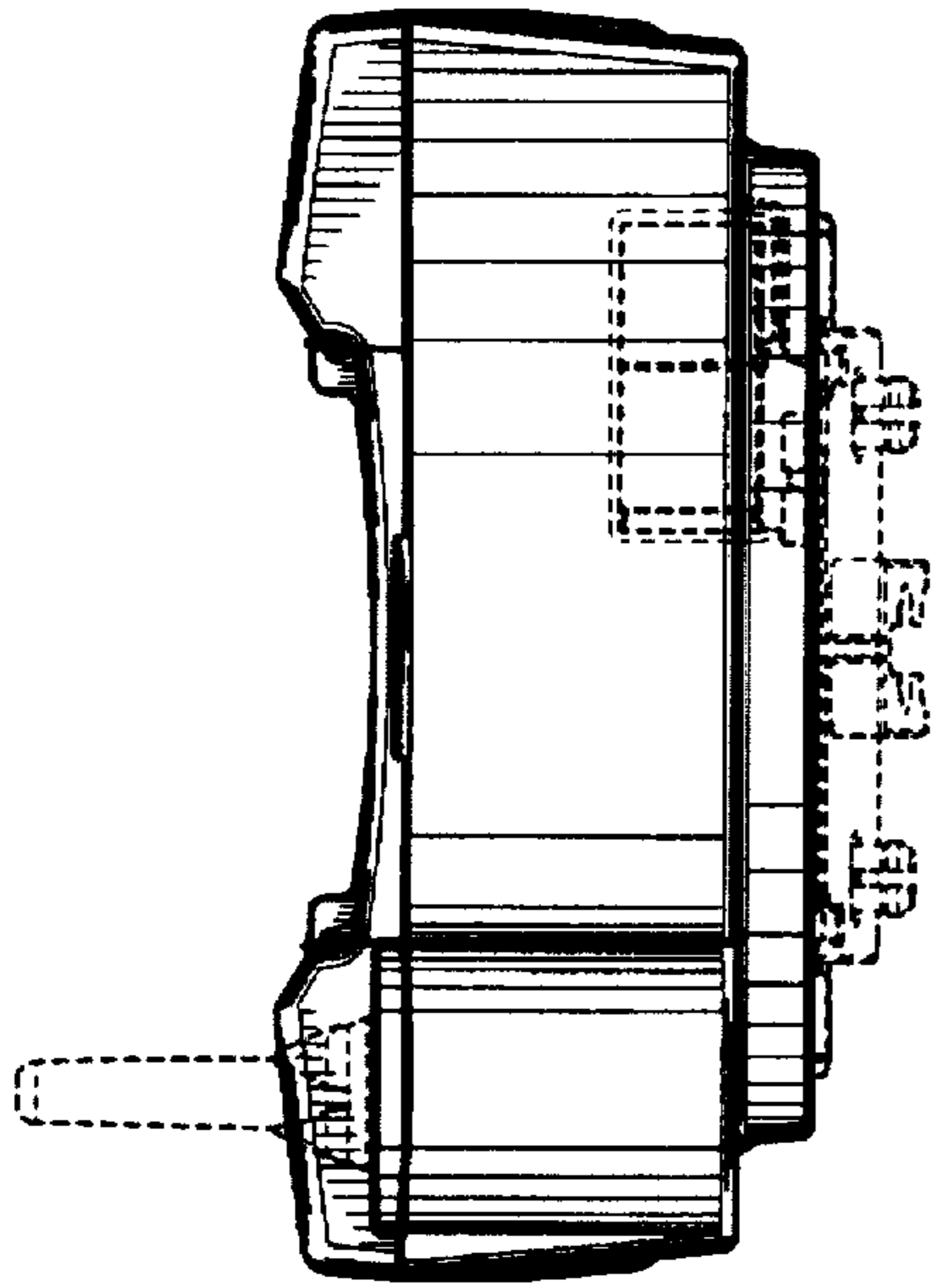


FIG. 3

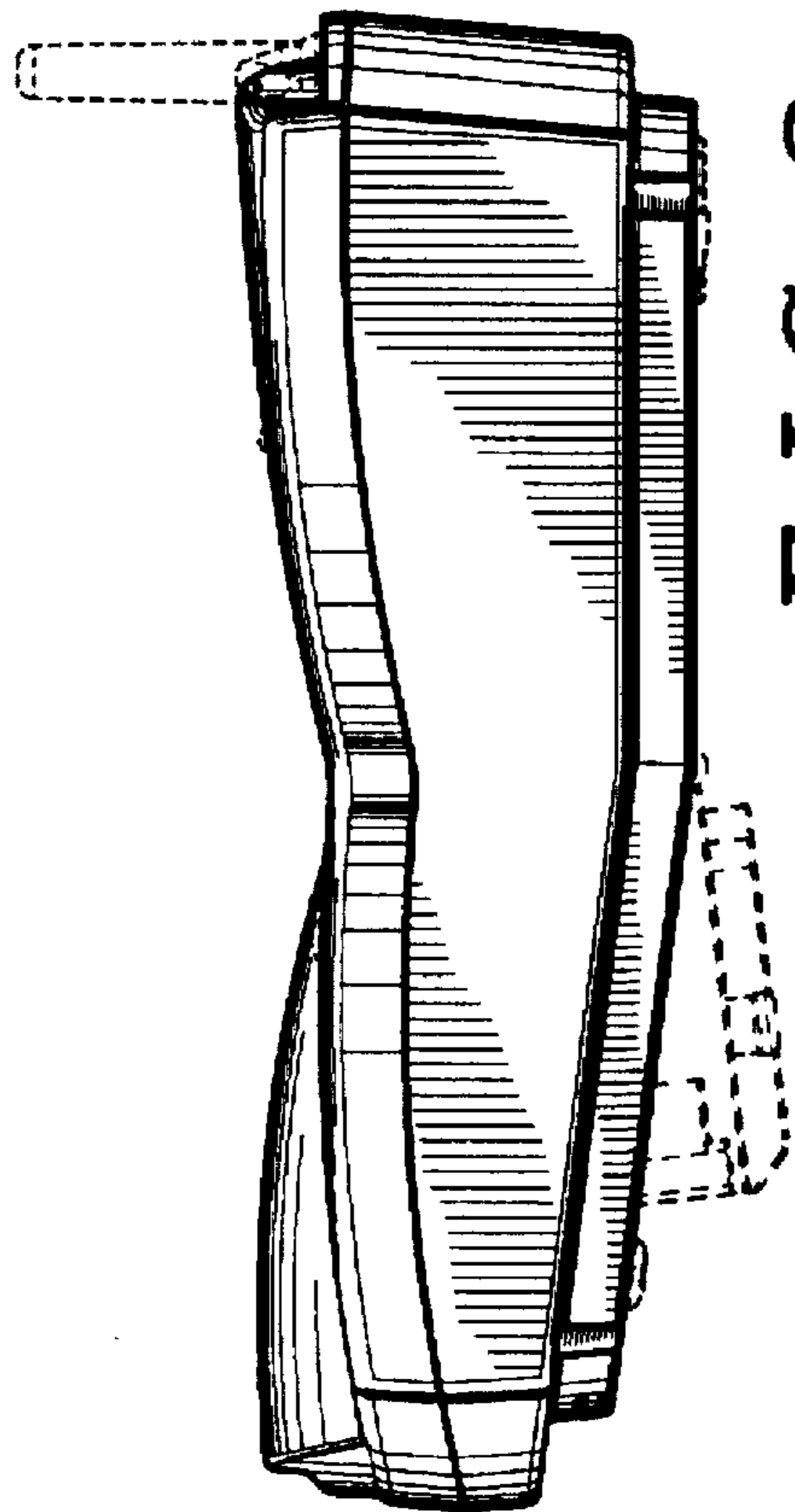


FIG. 2

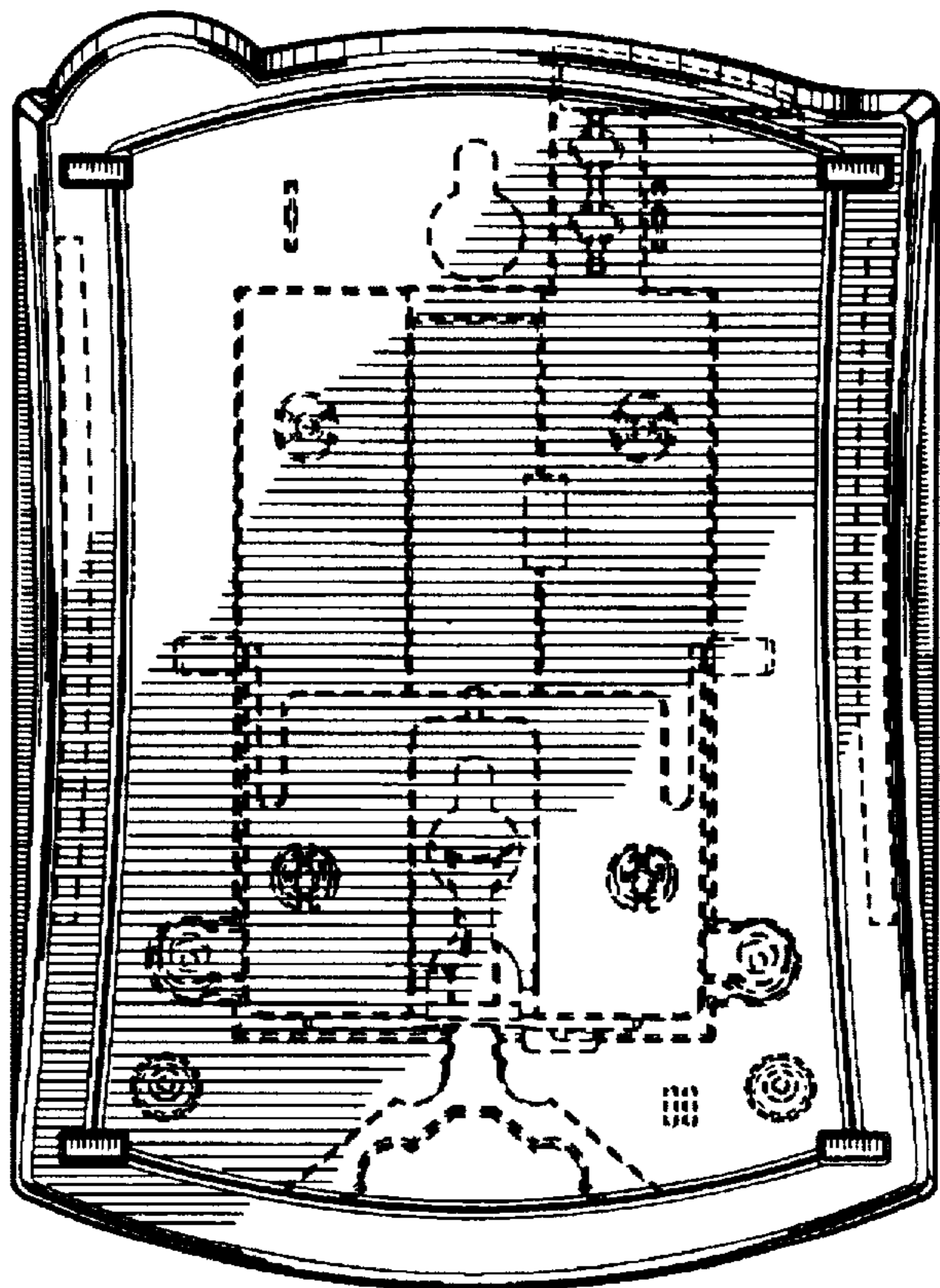


FIG. 4