



US00D383744S

# United States Patent [19]

Matsushima et al.

[11] Patent Number: **Des. 383,744**

[45] Date of Patent: **\*\*Sep. 16, 1997**

[54] **FACSIMILE MACHINE**

[75] Inventors: **Takashi Matsushima; Shin Takahashi,**  
both of Nara-ken, Japan

[73] Assignee: **Sharp Kabushiki Kaisha,** Osaka, Japan

[\*\*] Term: **14 Years**

[21] Appl. No.: **56,414**

[22] Filed: **Jun. 28, 1996**

[30] **Foreign Application Priority Data**

Dec. 28, 1995 [JP] Japan ..... 7-39437

[51] **LOC (6) Cl.** ..... **16-03**

[52] **U.S. Cl.** ..... **D14/118**

[58] **Field of Search** ..... D14/118, 299,  
D14/124; 358/400, 401, 402; D18/36, 37

[56] **References Cited**

**U.S. PATENT DOCUMENTS**

- D. 331,923 12/1992 Hiroki et al. .... D14/118
- D. 334,923 4/1993 Dodge et al. .... D14/118
- D. 355,179 2/1995 Sawada et al. .
- D. 355,905 2/1995 Takeuchi ..... D14/118
- D. 365,555 12/1995 Fukutani et al. .... D14/118

- D. 370,479 6/1996 Omino ..... D14/118
- D. 376,793 12/1996 Satoh et al. .
- 5,166,812 11/1992 Dow et al. .... 358/400 X
- 5,329,377 7/1994 Gregg ..... 358/400

**OTHER PUBLICATIONS**

Lumina Office Products, 1994, front page.  
Panasonic Office Automation, Jun. 1994, front page.

*Primary Examiner*—Prabhakar G. Deshmukh  
*Attorney, Agent, or Firm*—Nixon & Vanderhye

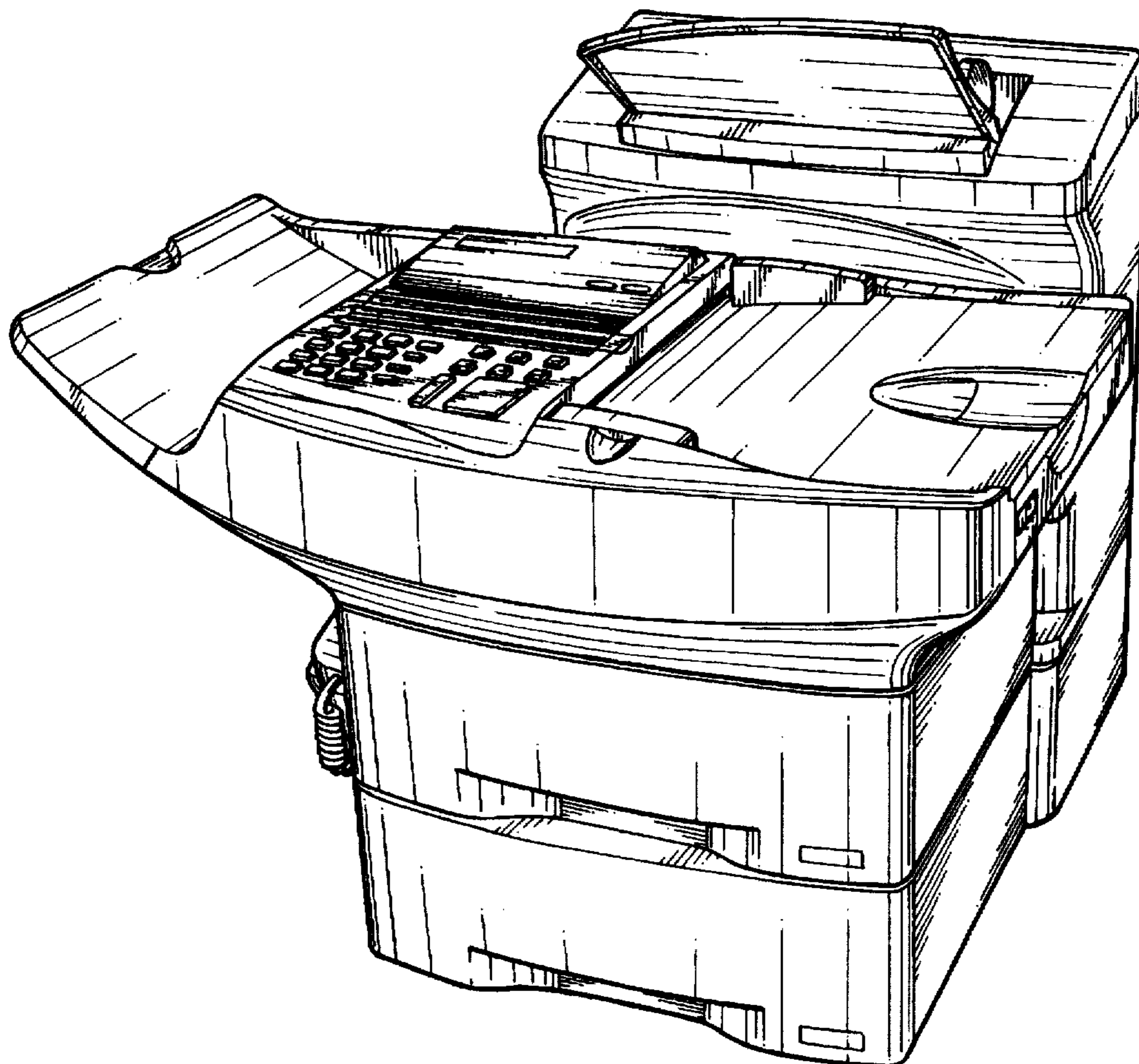
[57] **CLAIM**

The ornamental design for a "facsimile machine", as shown and described.

**DESCRIPTION**

FIG. 1 is a top, front and right side perspective view of a facsimile machine according to our design;  
FIG. 2 is a top plan view thereof;  
FIG. 3 is a front elevational view thereof;  
FIG. 4 is a left side elevational view thereof;  
FIG. 5 is a right side elevational view thereof;  
FIG. 6 is a rear elevational view thereof; and,  
FIG. 7 is a bottom plan view thereof.

**1 Claim, 7 Drawing Sheets**



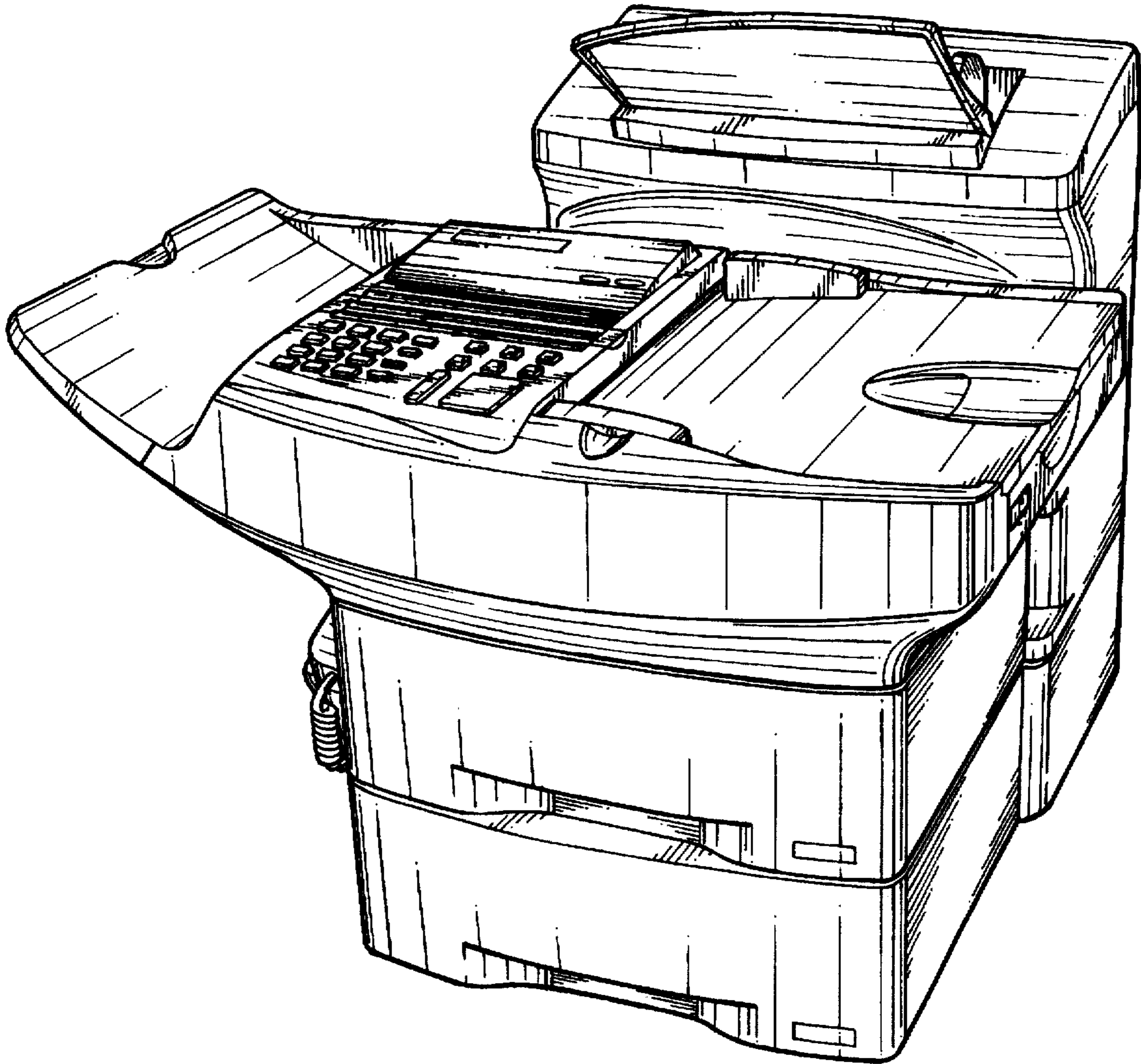


FIG. 1

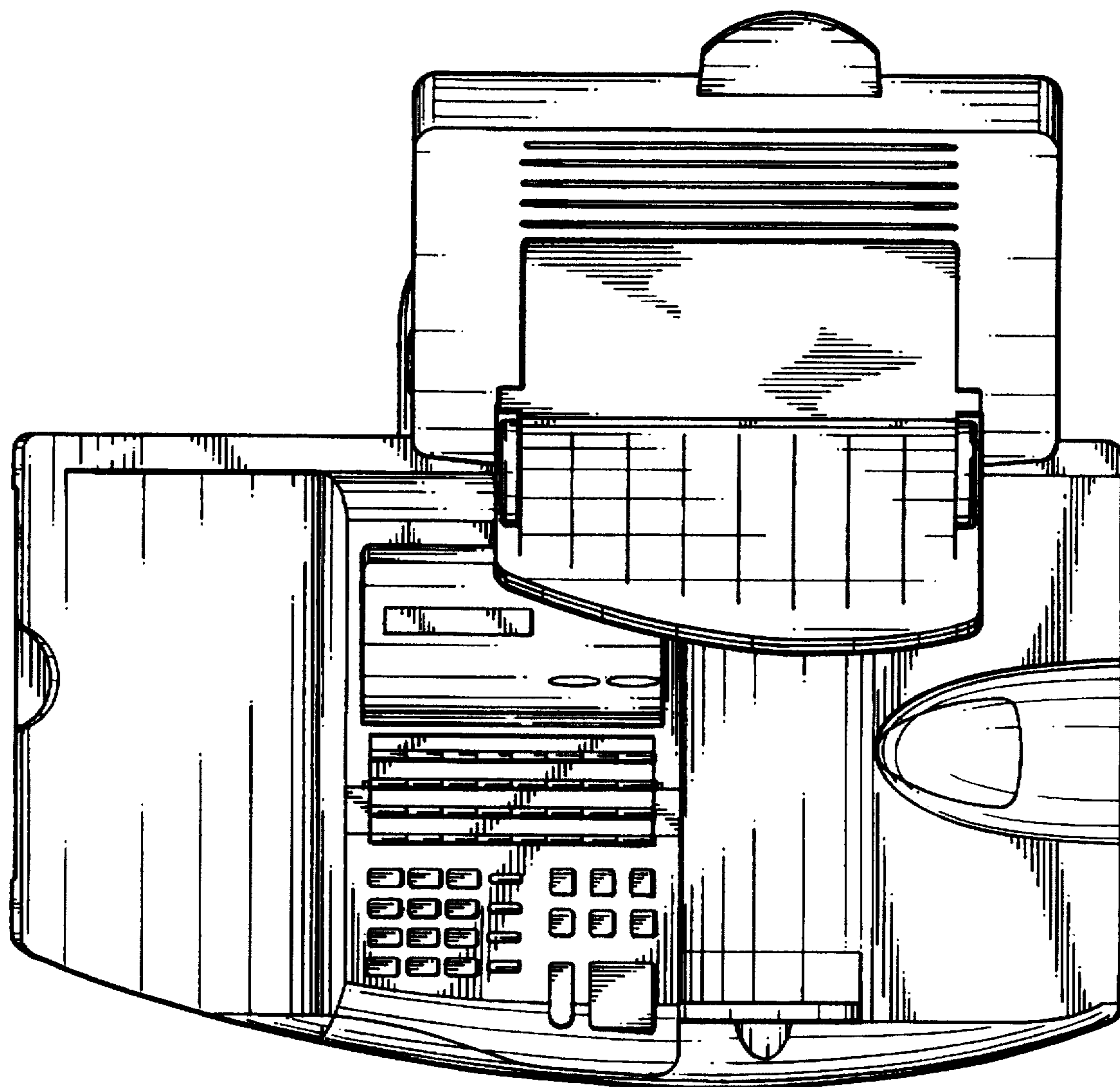
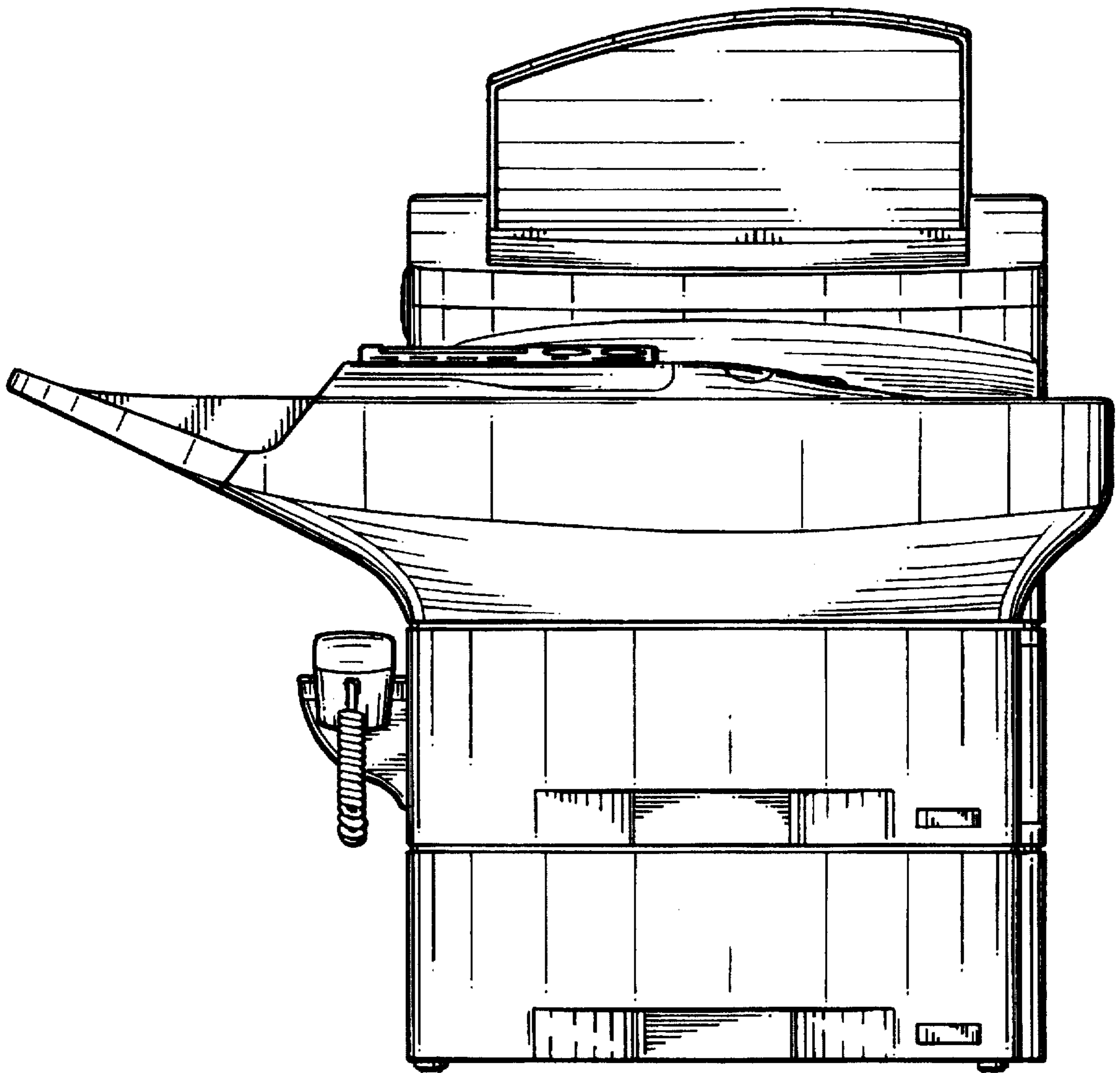


FIG. 2





*FIG. 3*

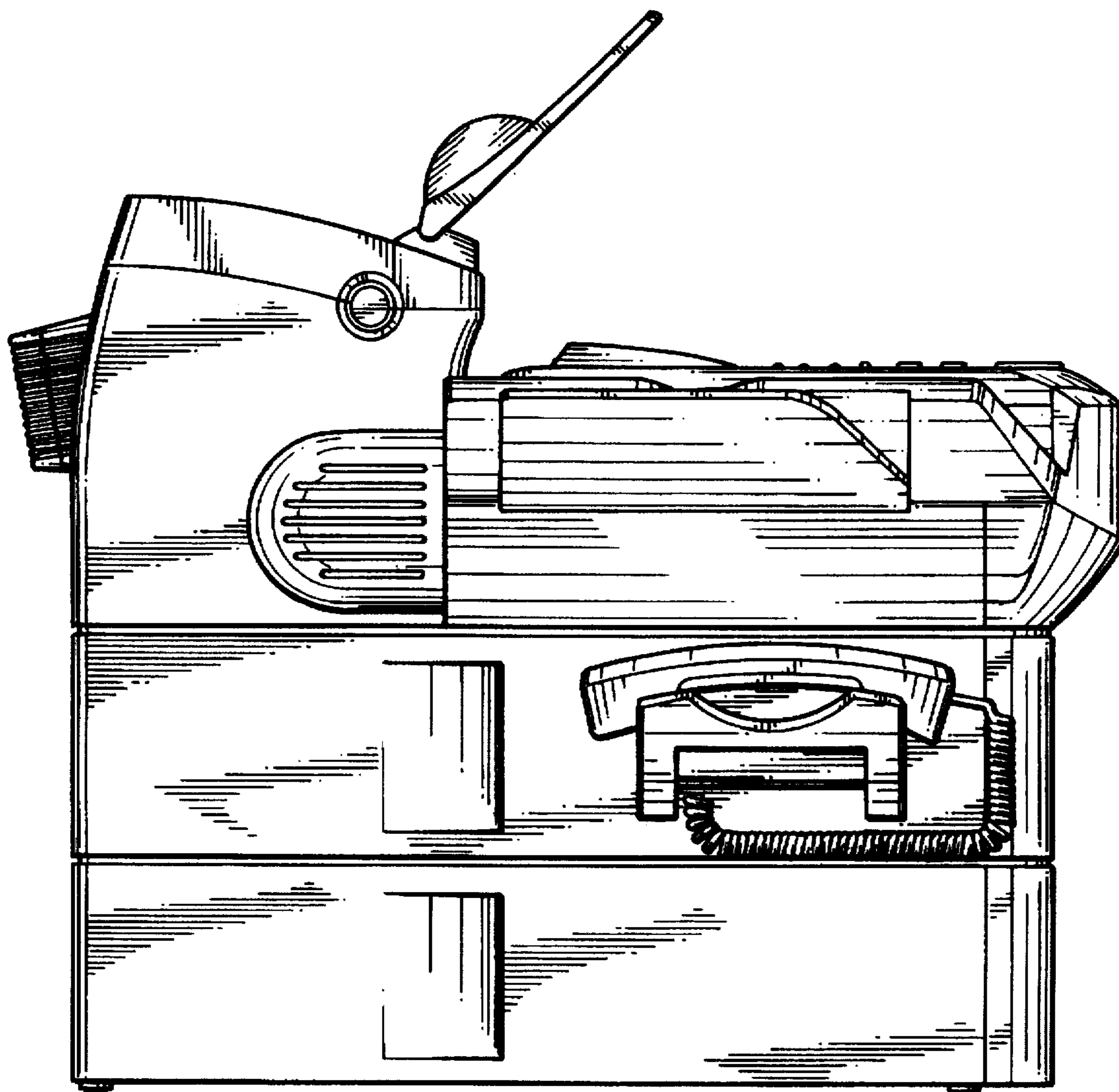


FIG. 4

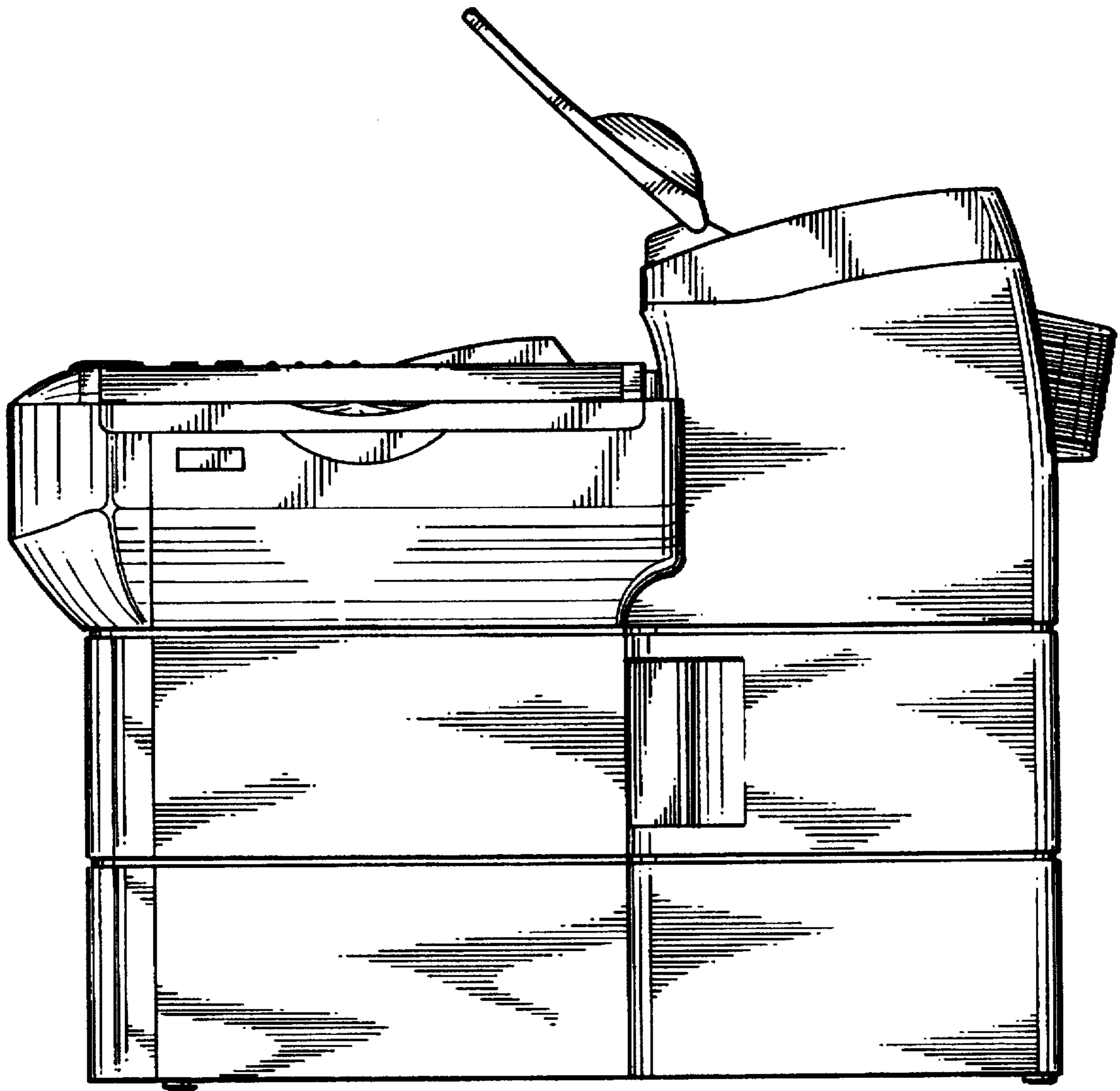


FIG. 5

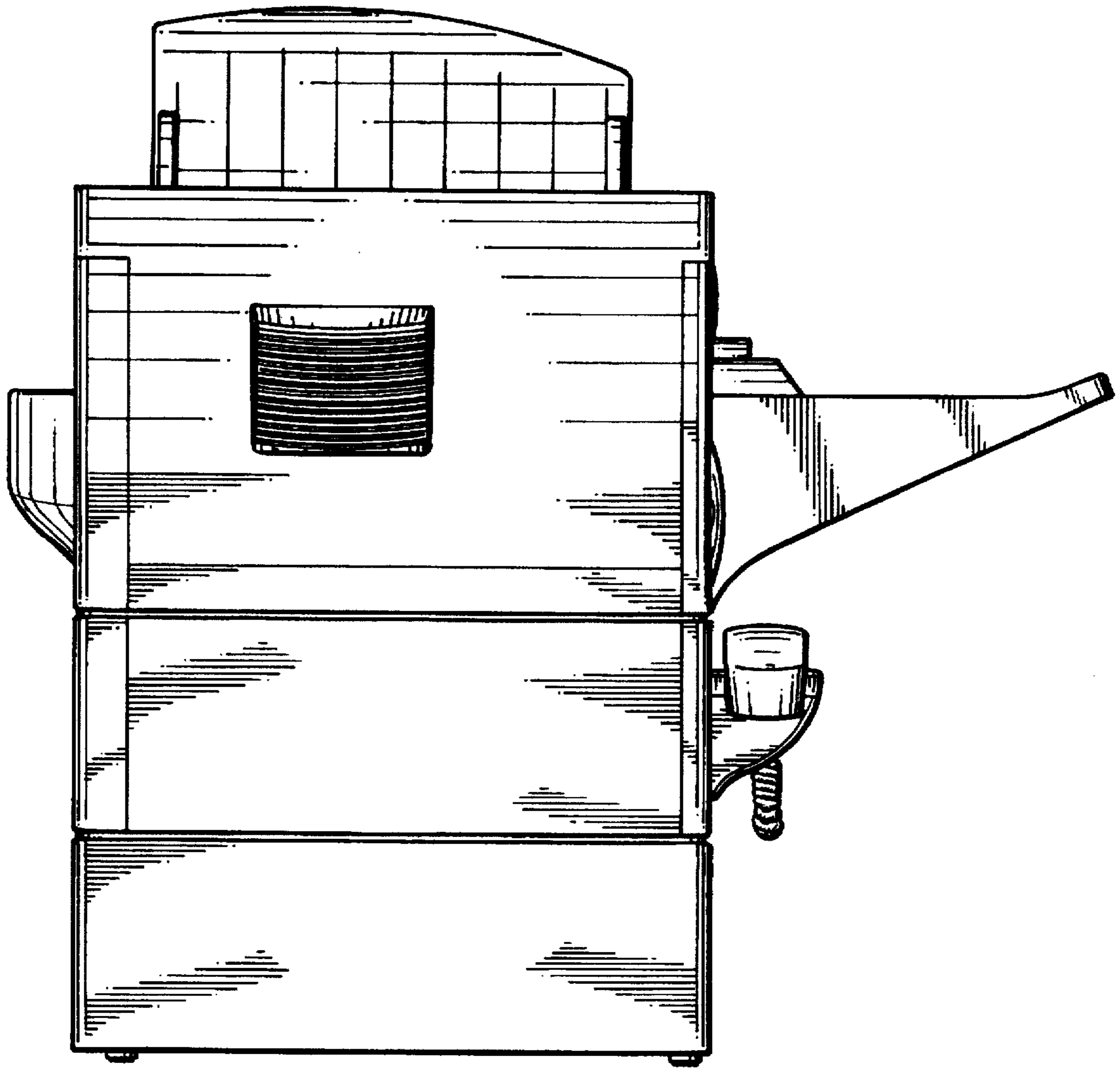


FIG. 6

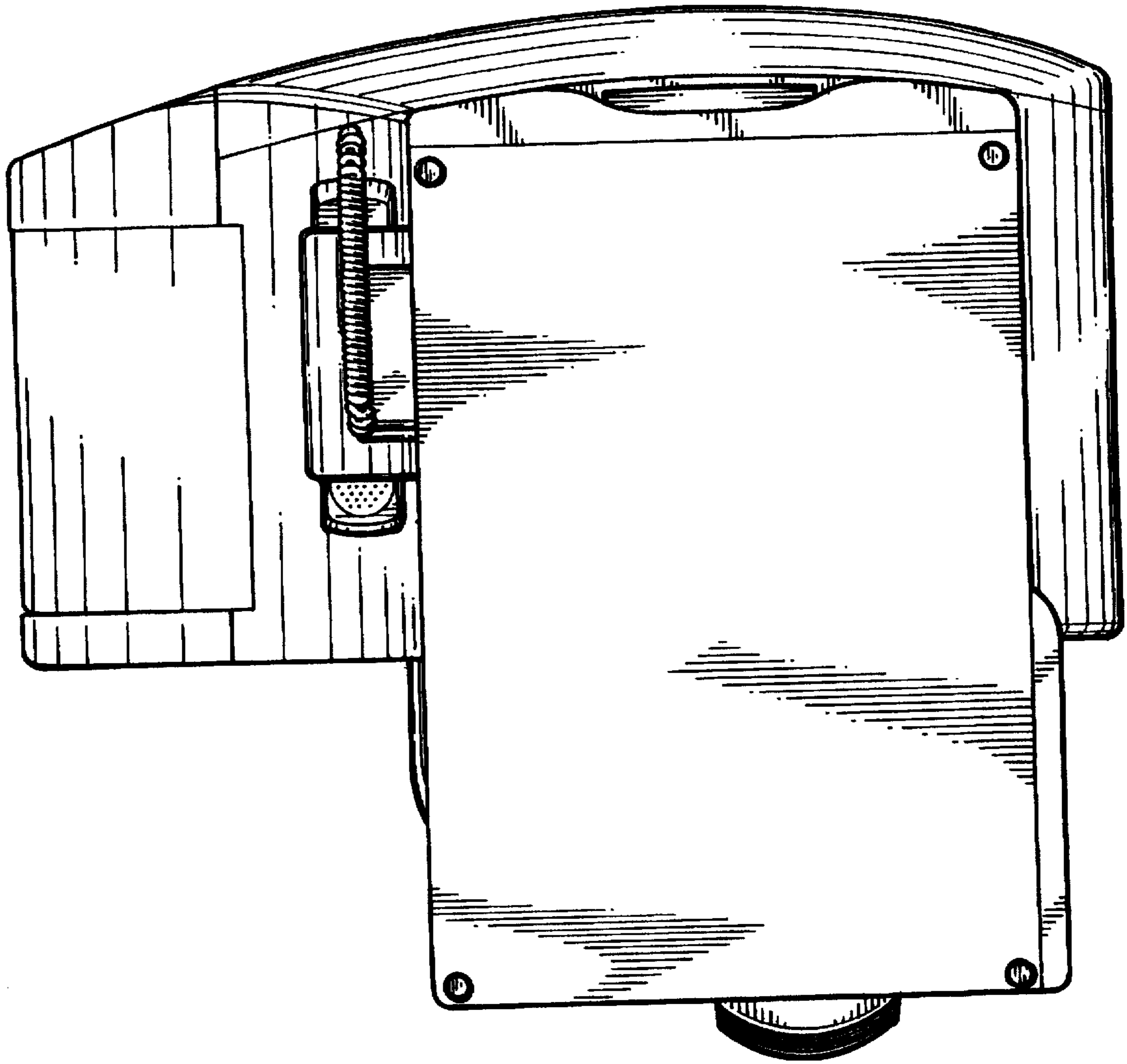


FIG. 7