

US00D383743S

United States Patent [19]

Suwa et al.

[11] Patent Number: **Des. 383,743**

[45] Date of Patent: ****Sep. 16, 1997**

[54] **INK RIBBON CARTRIDGE FOR FACSIMILE TRANSMITTER-RECEIVER**

[75] Inventors: **Kazumi Suwa, Toyoake; Satoru Hattori, Nagoya, both of Japan**

[73] Assignee: **Brother Kogyo Kabushiki Kaisha, Nagoya, Japan**

[**] Term: **14 Years**

[21] Appl. No.: **43,049**

[22] Filed: **Aug. 24, 1995**

[30] **Foreign Application Priority Data**

Apr. 4, 1995 [JP] Japan 7-9469

[51] LOC (6) Cl. **16-03**

[52] U.S. Cl. **D14/118**

[58] Field of Search D14/118, 116, D14/124, 299, 121; D18/36, 37, 56, 50, 12; 400/208, 234, 194-196; 358/400-401

[56] **References Cited**

U.S. PATENT DOCUMENTS

D. 325,904 5/1992 Prince, III D14/118
D. 331,771 12/1992 Yoshihara D18/56 X

D. 334,209 3/1993 Katsuno D18/56
D. 356,819 3/1995 Stempien D18/56
D. 361,592 8/1995 Niwano D18/56
5,352,049 10/1994 Shiraishi et al. 400/208

Primary Examiner—Prabhakar G. Deshmukh
Attorney, Agent, or Firm—Oliff & Berridge

[57] **CLAIM**

The ornamental design for an ink ribbon cartridge for facsimile transmitter-receiver, as shown and described.

DESCRIPTION

FIG. 1 is a top plan view of an ink ribbon cartridge for facsimile transmitter-receiver;
FIG. 2 is a bottom plan view of the ink ribbon cartridge for facsimile transmitter-receiver;
FIG. 3 is a front view of the ink ribbon cartridge for facsimile transmitter-receiver;
FIG. 4 is a rear view of the ink ribbon cartridge for facsimile transmitter-receiver;
FIG. 5 is a left side view of the ink ribbon cartridge for facsimile transmitter-receiver;
FIG. 6 is a right side view of the ink ribbon cartridge for facsimile transmitter-receiver; and,
FIG. 7 is a perspective view of the ink ribbon cartridge for facsimile transmitter-receiver.

1 Claim, 5 Drawing Sheets

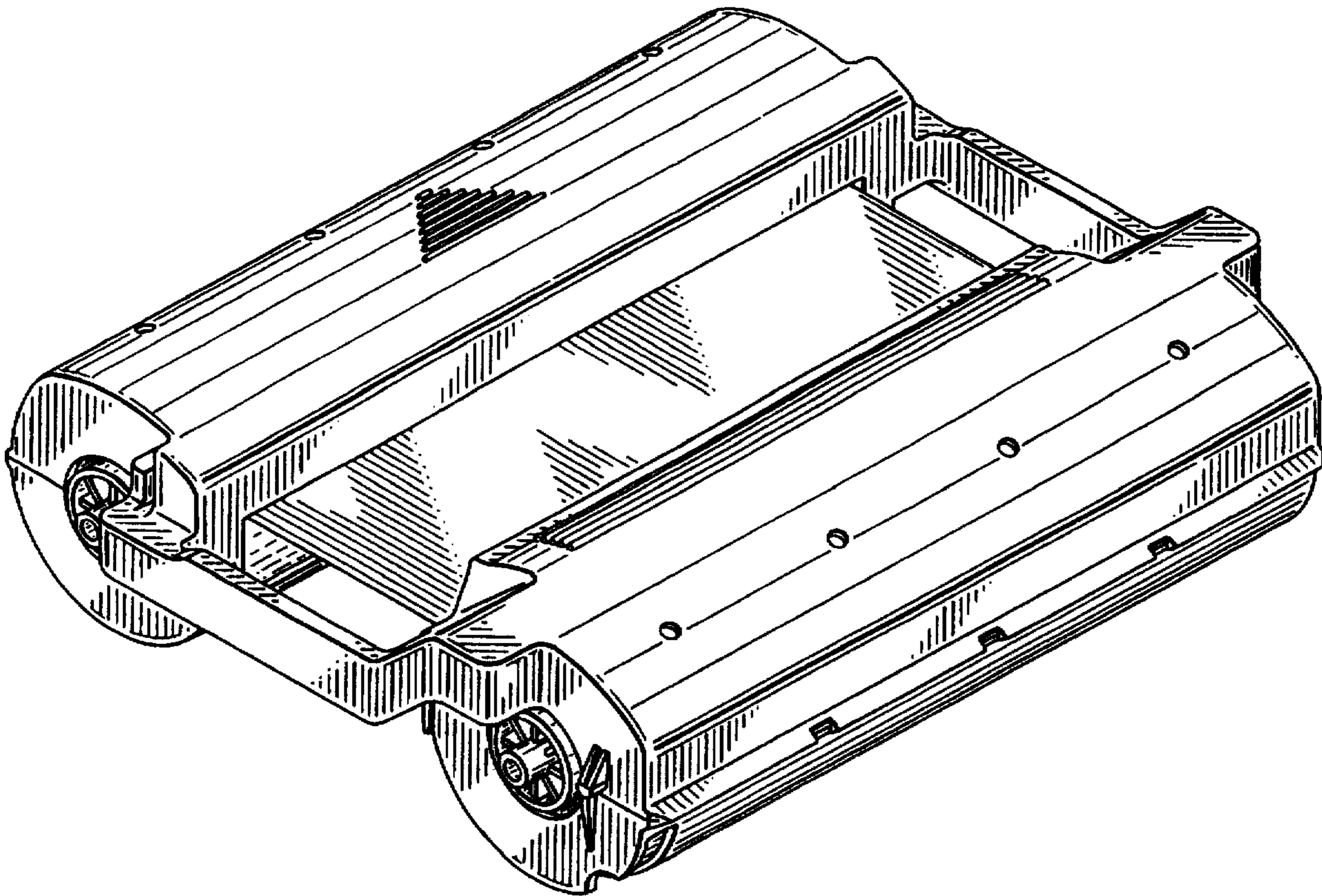


FIG. 1

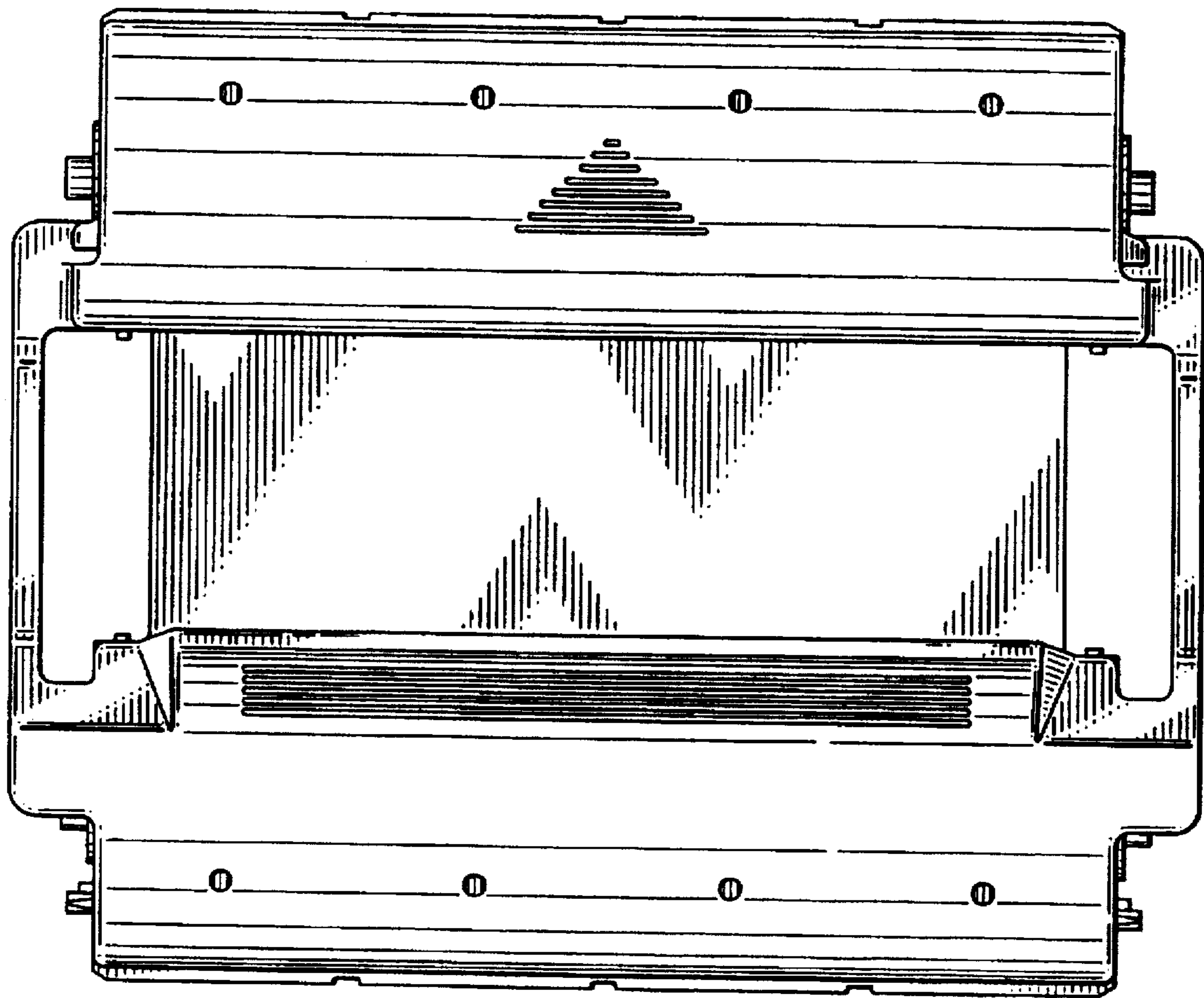


FIG. 2

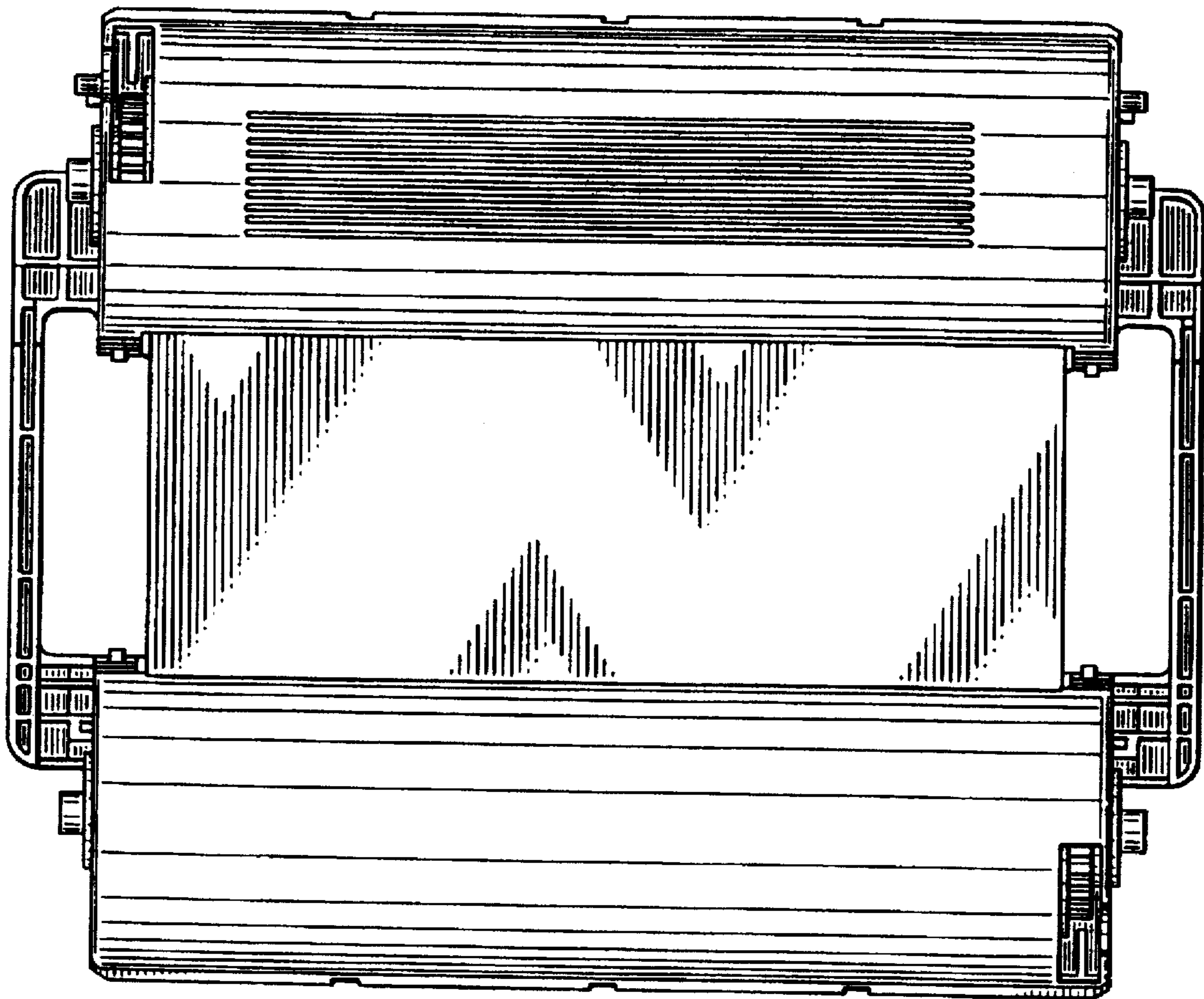


FIG. 3

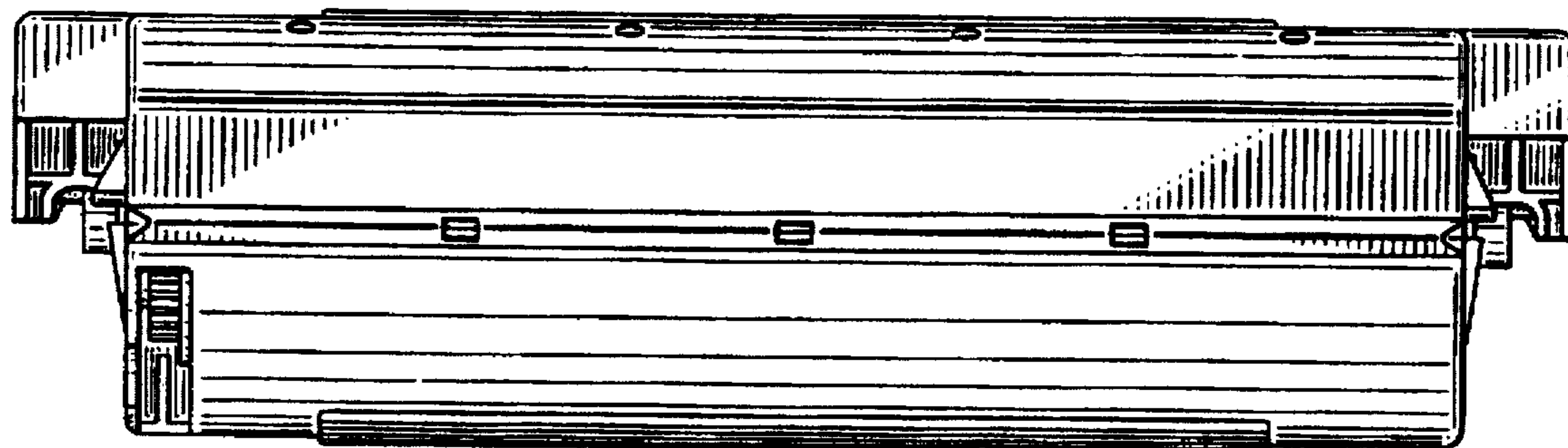


FIG. 4

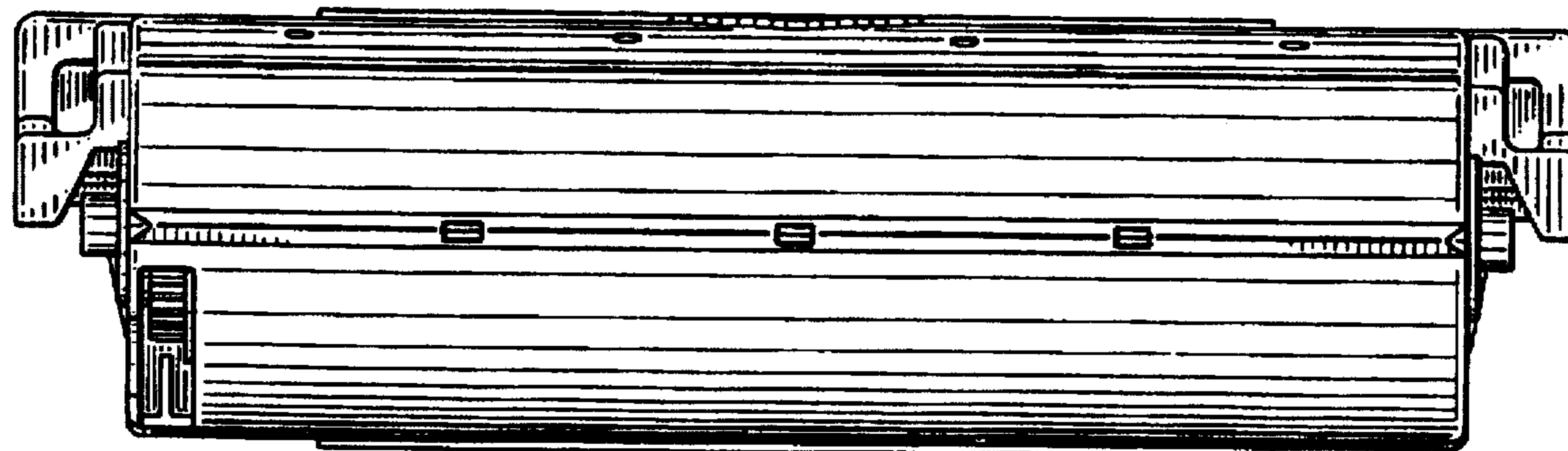


FIG. 5

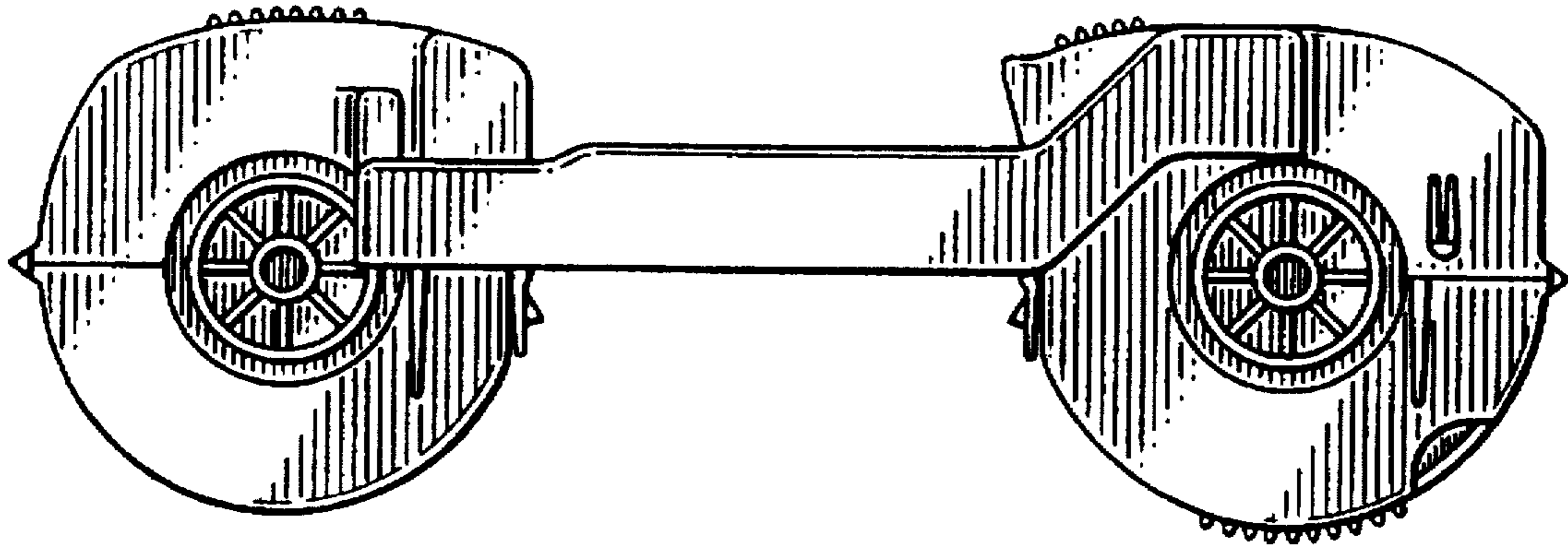


FIG. 6

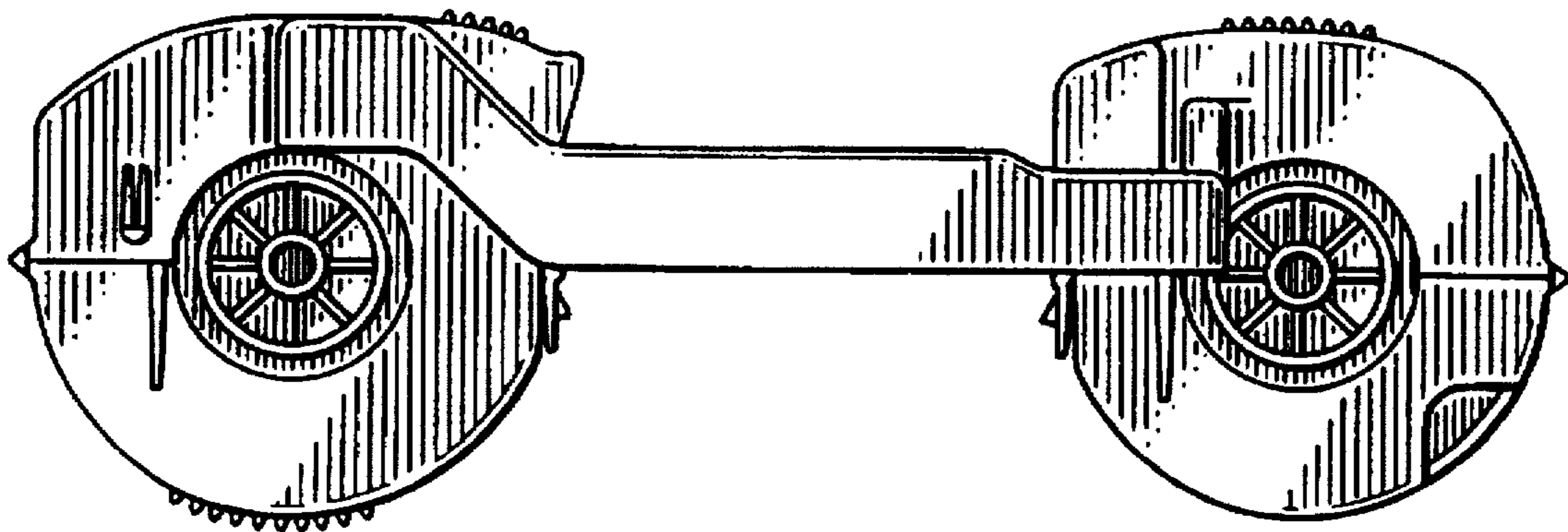


FIG. 7

