



US00D383742S

# United States Patent [19]

Sawada et al.

[11] Patent Number: **Des. 383,742**

[45] Date of Patent: **\*\*Sep. 16, 1997**

## [54] FACSIMILE MACHINE

[75] Inventors: **Masaji Sawada**, Kyoto-fu; **Takashi Matsushima**, Nara-ken, both of Japan

[73] Assignee: **Sharp Kabushiki Kaisha**, Osaka, Japan

[\*\*] Term: **14 Years**

[21] Appl. No.: **34,920**

[22] Filed: **Mar. 28, 1995**

[51] LOC (6) Cl. .... **16-03**

[52] U.S. Cl. .... **D14/118**

[58] Field of Search ..... **D14/118, 299, D14/124; 358/400, 401, 402; D18/36, 37**

## [56] References Cited

### U.S. PATENT DOCUMENTS

D. 332,094	12/1992	Sawada et al. ....	D14/118
D. 332,259	1/1993	Kashiwabara et al. ....	D14/118
D. 339,333	9/1993	Sawada et al. ....	D14/118
D. 345,155	3/1994	Hiroki et al. ....	D14/118
D. 355,178	2/1995	Sawada et al. ....	D14/118
D. 357,677	4/1995	Sawada et al. ....	D14/118
D. 363,278	10/1995	Kashiwabara et al. ....	D14/118
D. 376,793	12/1996	Sato et al. ....	D14/118
4,872,061	10/1989	Uchiyama ....	358/400
4,914,281	4/1990	Benton et al. ....	D14/118 X
5,172,243	12/1992	Hayashi et al. ....	358/400
5,183,431	2/1993	Todokoro ....	358/400 X

## OTHER PUBLICATIONS

Panafax Facsimile Jun., 1994, front page.  
Soft Warehouse: The Computer Superstore, 1989-90 p. 34.  
Radio Shack, 1991 Cat, p. 4.

*Primary Examiner*—Prabhakar G. Deshmukh  
*Attorney, Agent, or Firm*—Nixon & Vanderhye

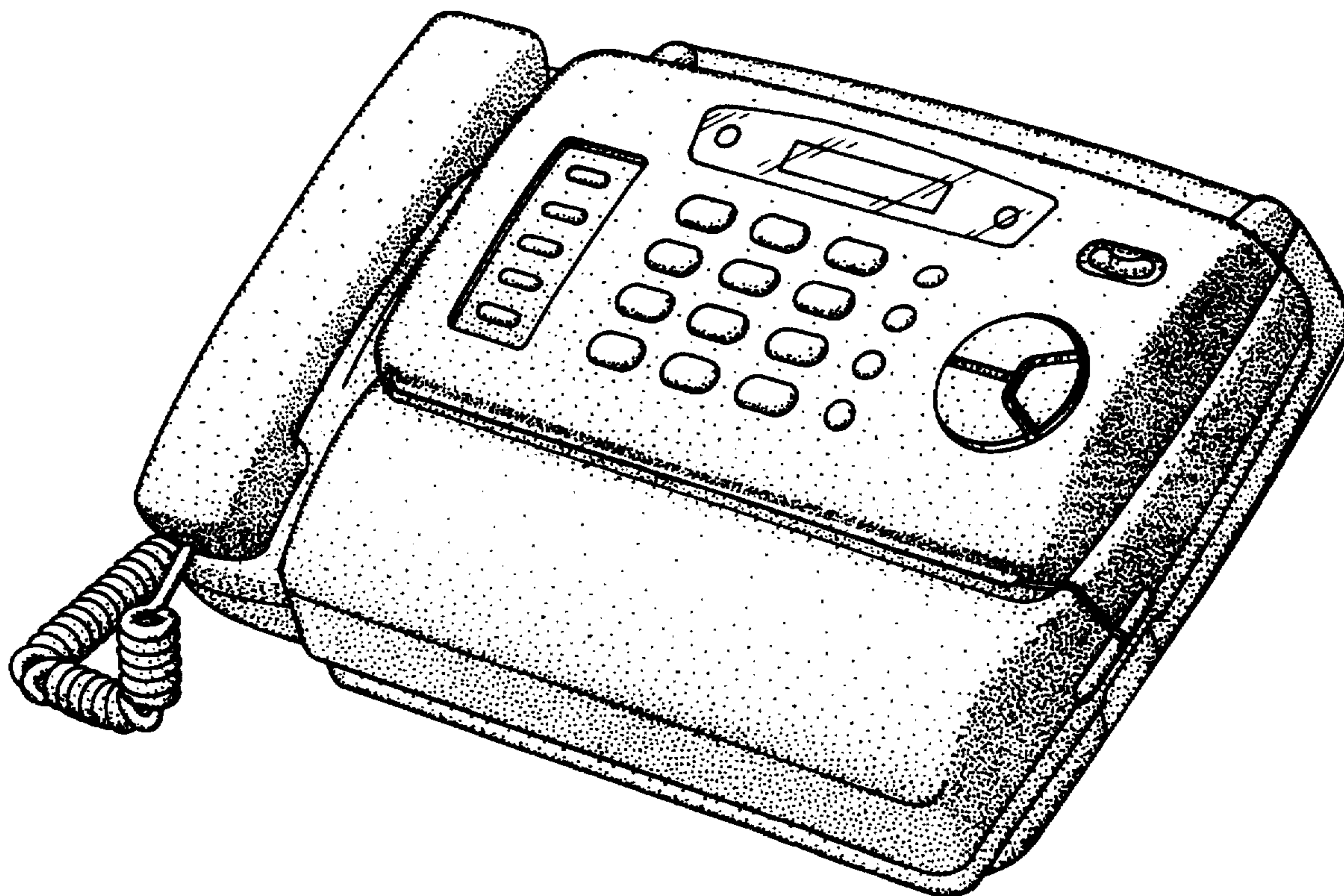
## [57] CLAIM

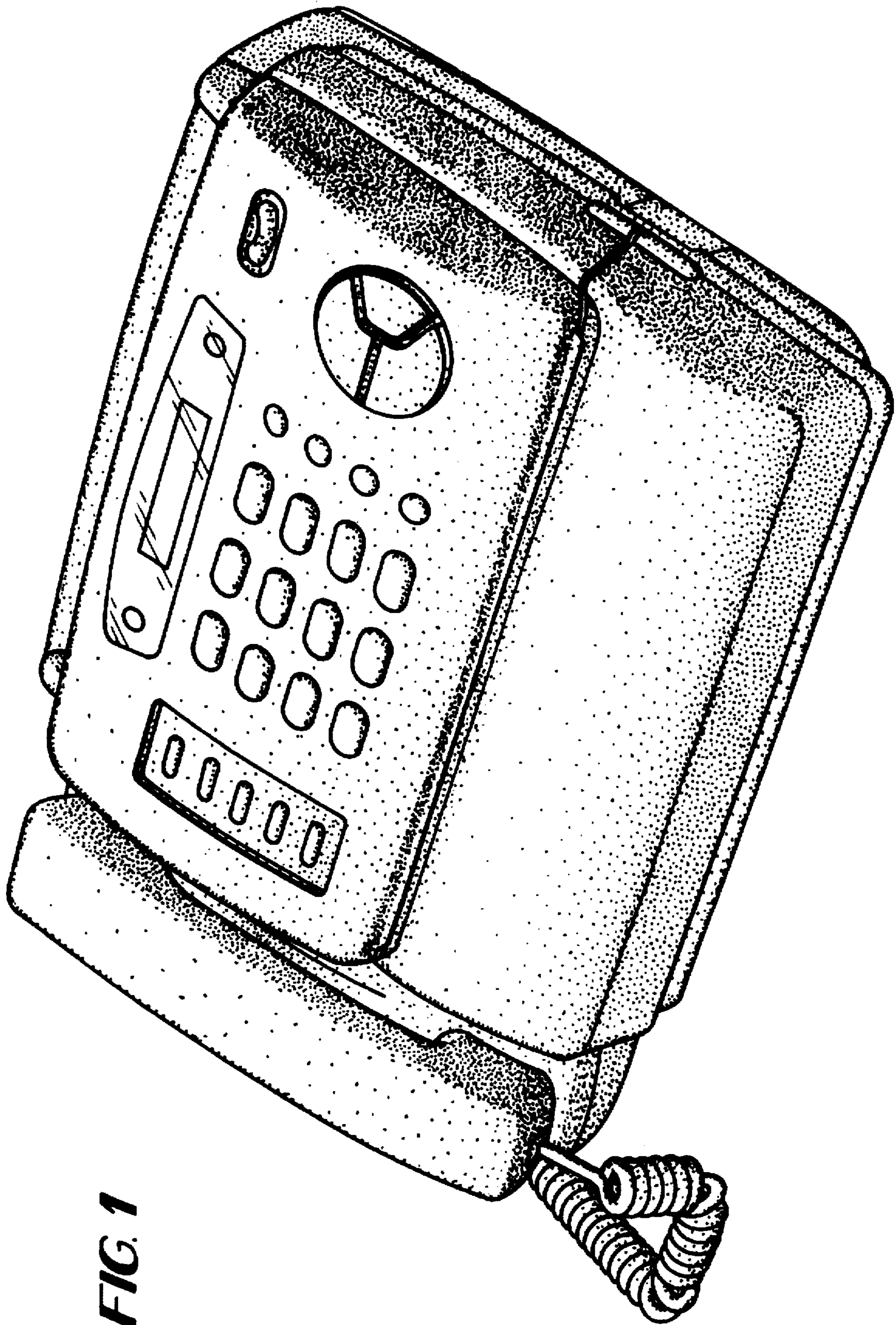
The ornamental design for a facsimile machine, as shown and described.

## DESCRIPTION

FIG. 1 is a top, front and right side perspective view of a facsimile machine according to our design;  
FIG. 2 is a rear, bottom and left side perspective view with kick-up stand maintaining the facsimile machine in an inclined, upstanding position;  
FIG. 3 is a top plan view thereof;  
FIG. 4 is a front elevational view thereof;  
FIG. 5 is a right side elevational view thereof;  
FIG. 6 is a rear elevational view thereof;  
FIG. 7 is a left side elevational view thereof;  
FIG. 8 is a bottom plan view thereof; and,  
FIG. 9 is a left side elevational view thereof with the kick-up stand in a closed position.

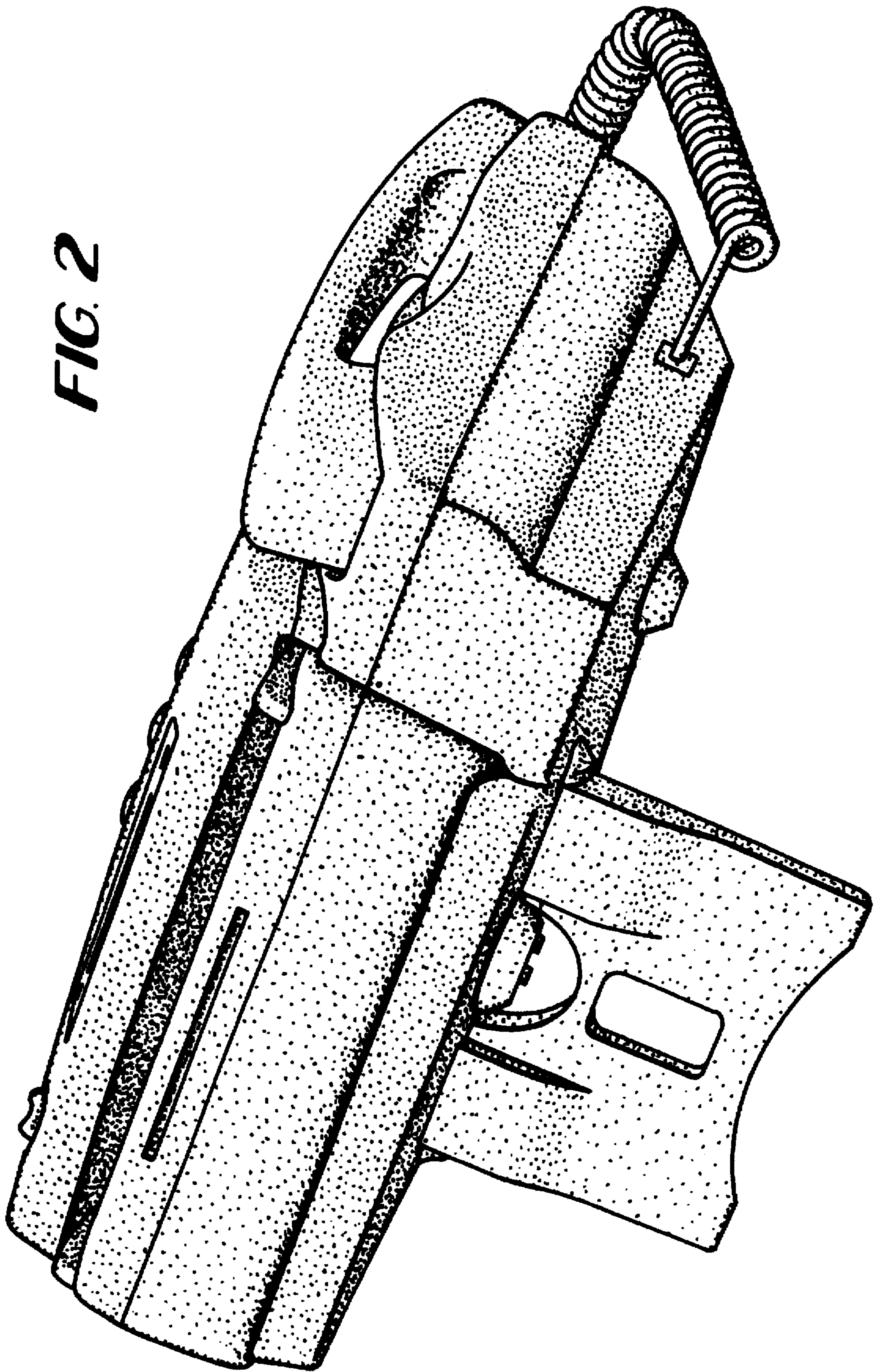
**1 Claim, 8 Drawing Sheets**





**FIG. 1**

FIG. 2



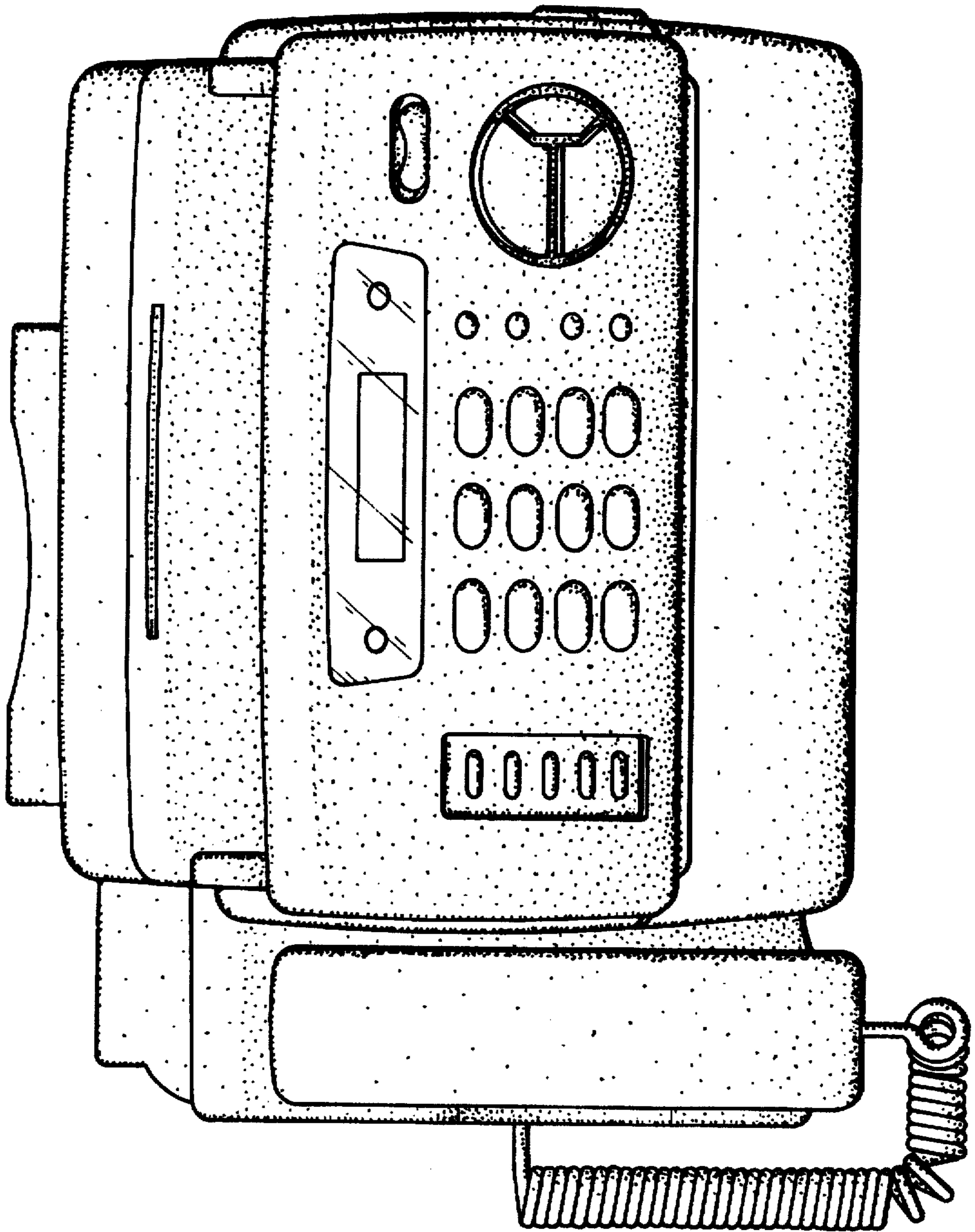
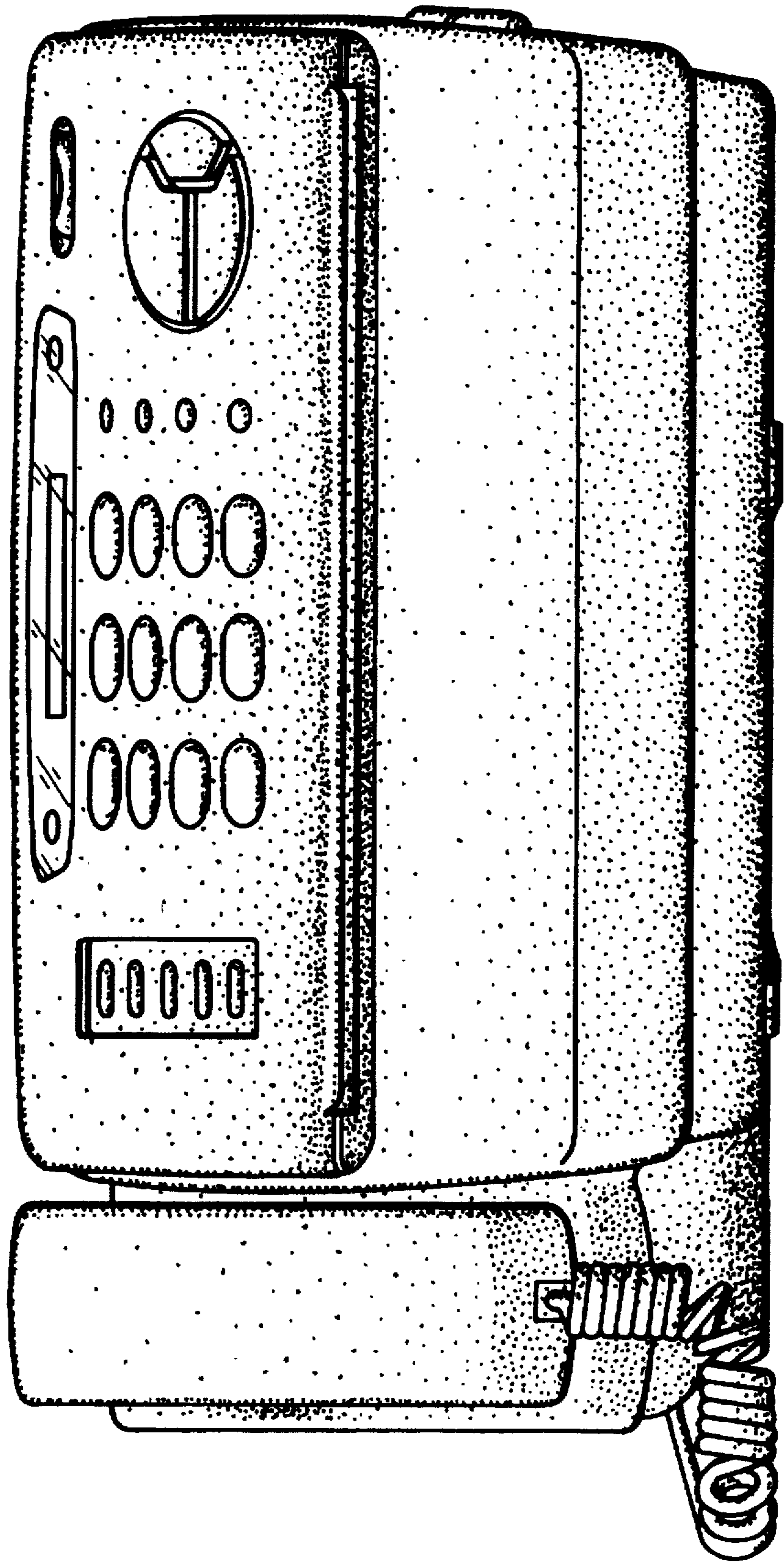
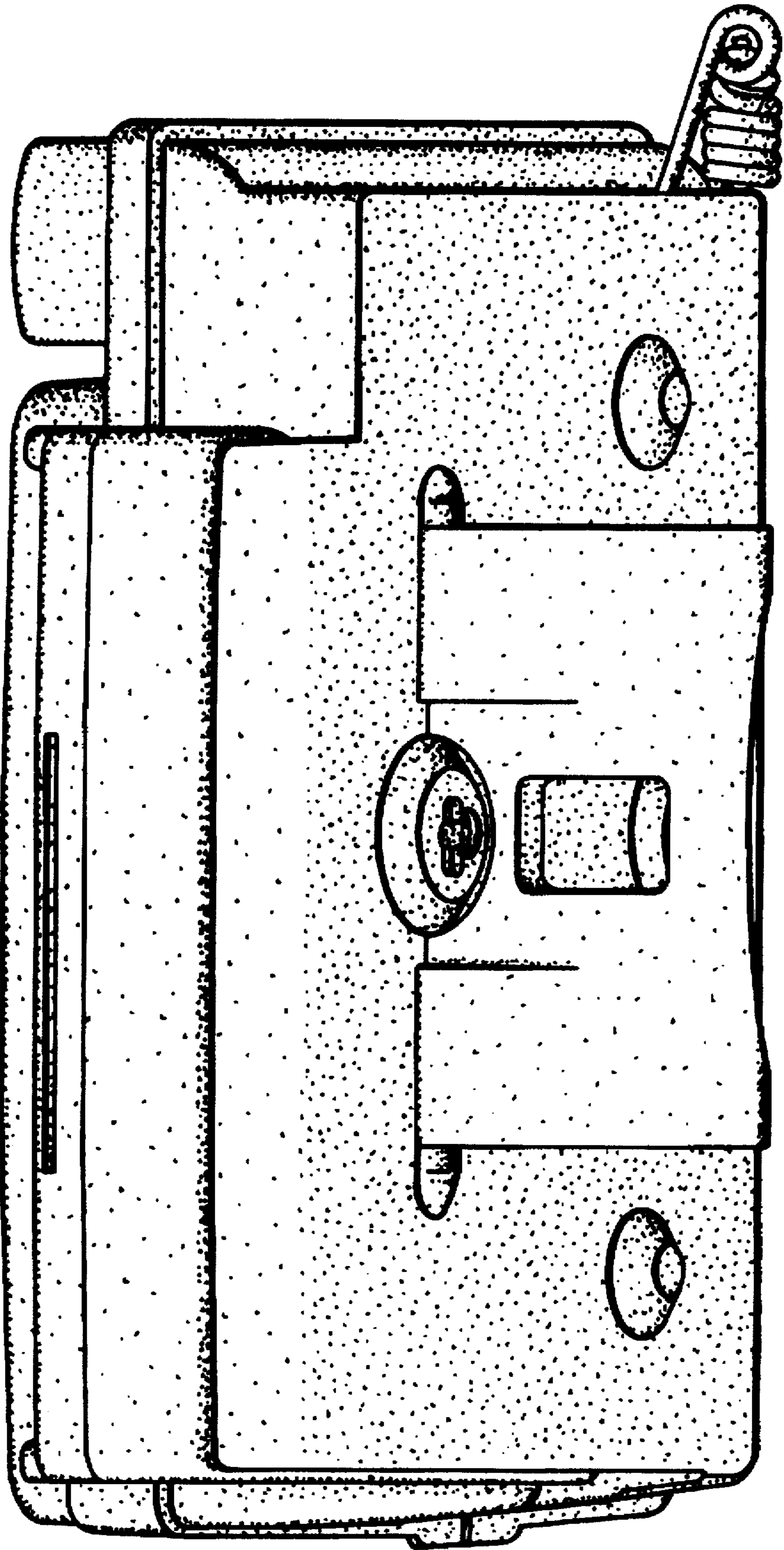


FIG. 3

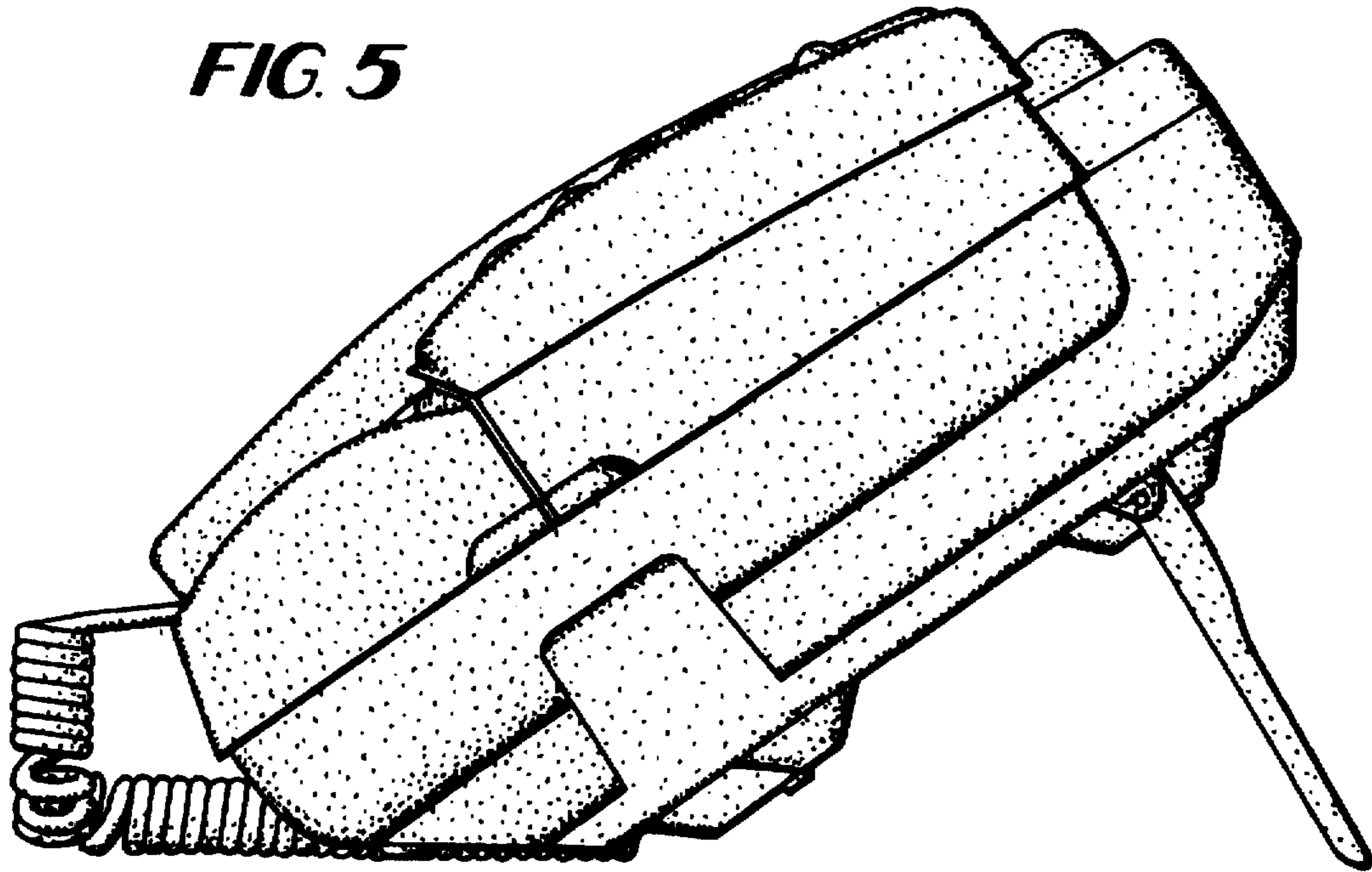
**FIG. 4**



**FIG. 6**



**FIG. 5**



**FIG. 7**

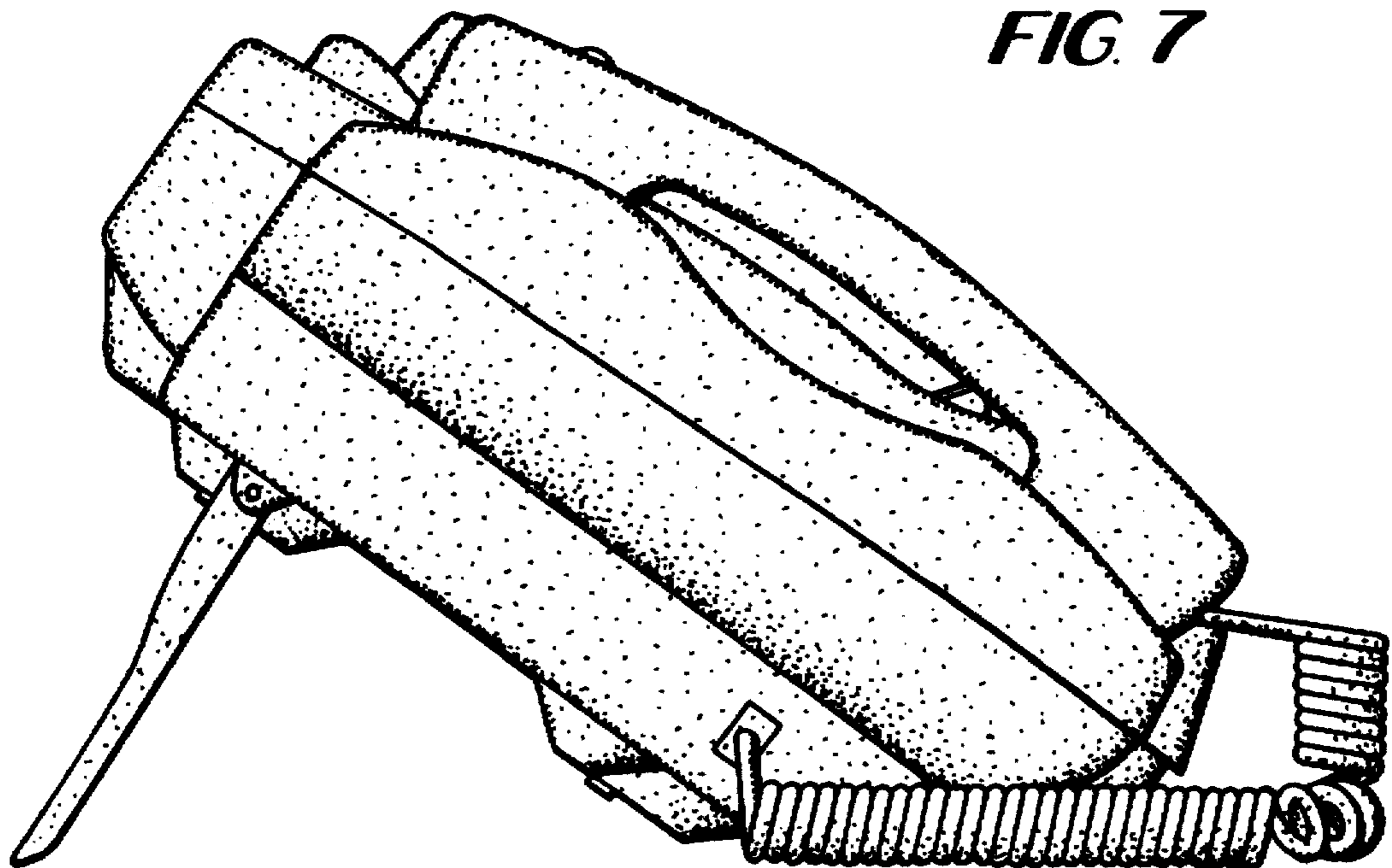
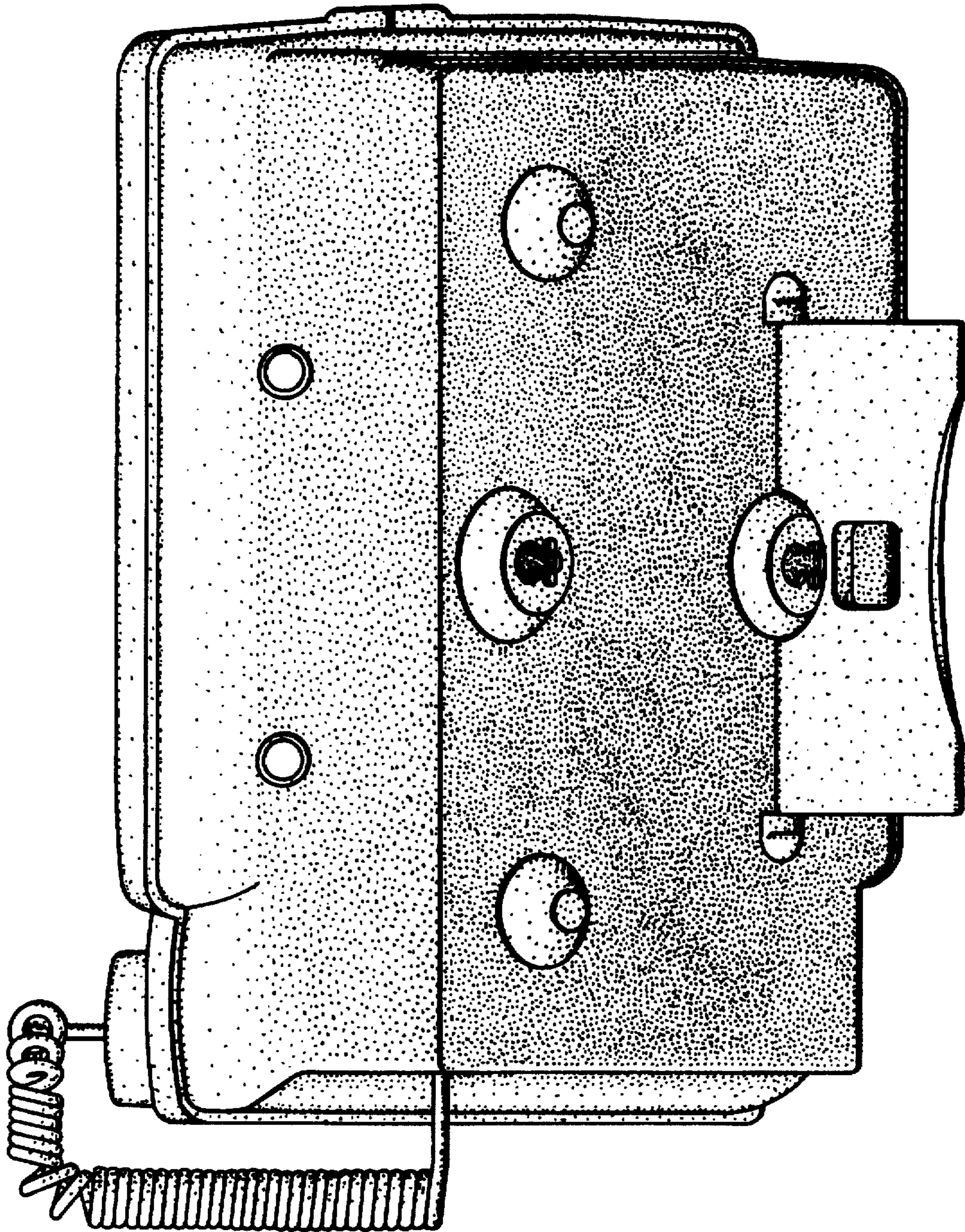


FIG. 8





**FIG. 9**

