



US00D383741S

United States Patent [19]

[11] Patent Number: **Des. 383,741**

Terng

[45] Date of Patent: ****Sep. 16, 1997**

[54] **KEYBOARD**

[75] Inventor: **Jay Terng, Taipei, Taiwan**

[73] Assignee: **Silitek Corporation, Taipei, Taiwan**

[**] Term: **14 Years**

[21] Appl. No.: **53,560**

[22] Filed: **Apr. 24, 1996**

[51] LOC (6) Cl. **14-02**

[52] U.S. Cl. **D14/115**

[58] Field of Search D14/100, 101, D14/106, 115; D18/1, 7, 11; 200/5 A, 5 R, 6 A, 6 R; 235/145 A, 145 R; 341/22, 23; 345/168, 167, 160; 364/708.1; 400/472, 479, 484-486, 488, 489; D19/60

[56] **References Cited**

U.S. PATENT DOCUMENTS

- D. 280,217 8/1985 Tomozawa et al. D19/60
- D. 336,468 6/1993 Reiter D14/115

- D. 349,691 8/1994 Takeichi et al. D14/100
- D. 368,478 4/1996 Bernstein et al. D14/115 X
- D. 370,027 5/1996 Wood D19/60
- D. 374,213 10/1996 Jones et al. D14/100

Primary Examiner—Freda Nunn
Attorney, Agent, or Firm—Beveridge, DeGrandi, Weilacher & Young LLP

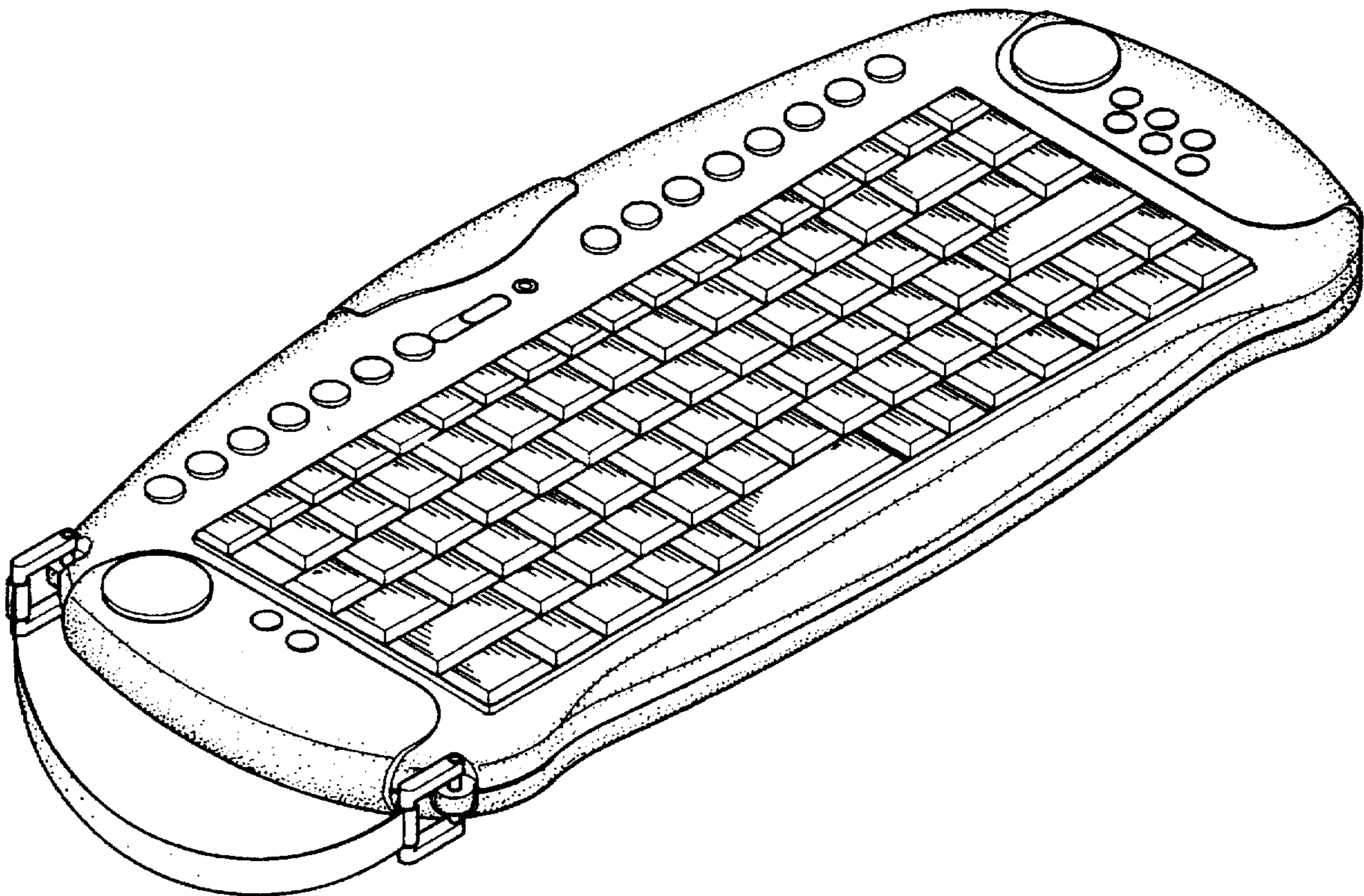
[57] **CLAIM**

The ornamental design for keyboard, as shown and described.

DESCRIPTION

FIG. 1 is the perspective view of a keyboard showing my new design;
FIG. 2 is the front elevational view thereof;
FIG. 3 is the rear elevational view thereof;
FIG. 4 is the left side elevational view thereof;
FIG. 5 is the right side elevational view thereof;
FIG. 6 is the top plan view thereof; and,
FIG. 7 is the bottom plan view thereof.

1 Claim, 5 Drawing Sheets



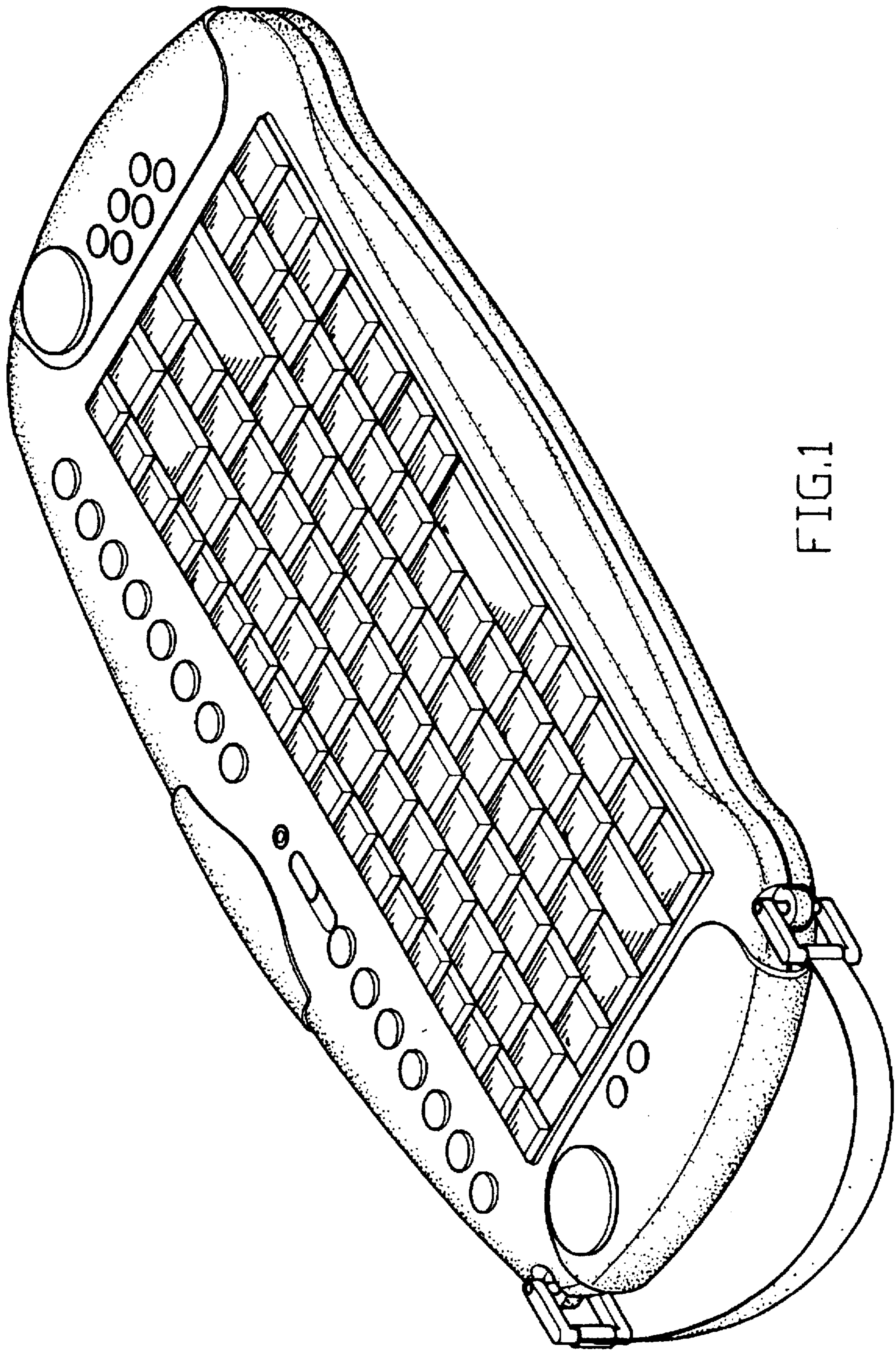


FIG. 1

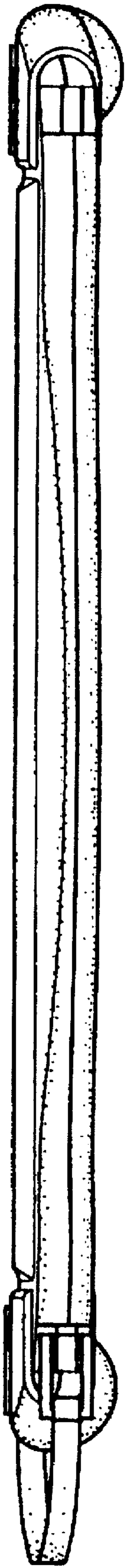


FIG. 2



FIG. 3

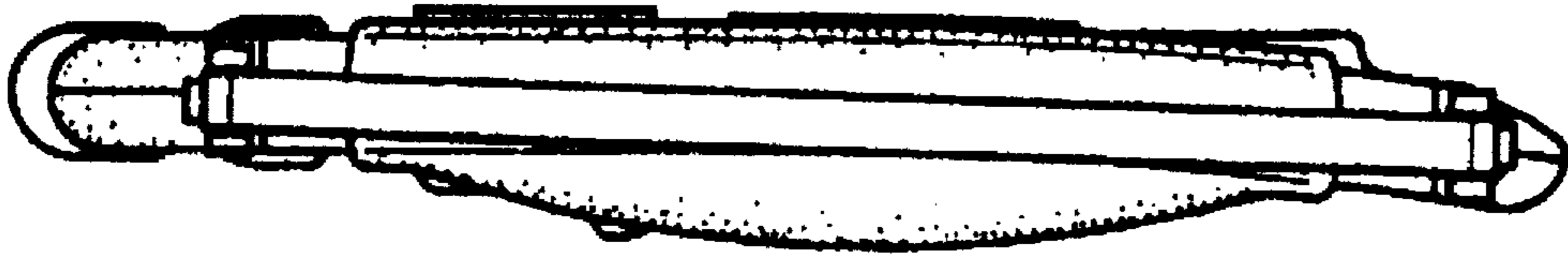


FIG. 4

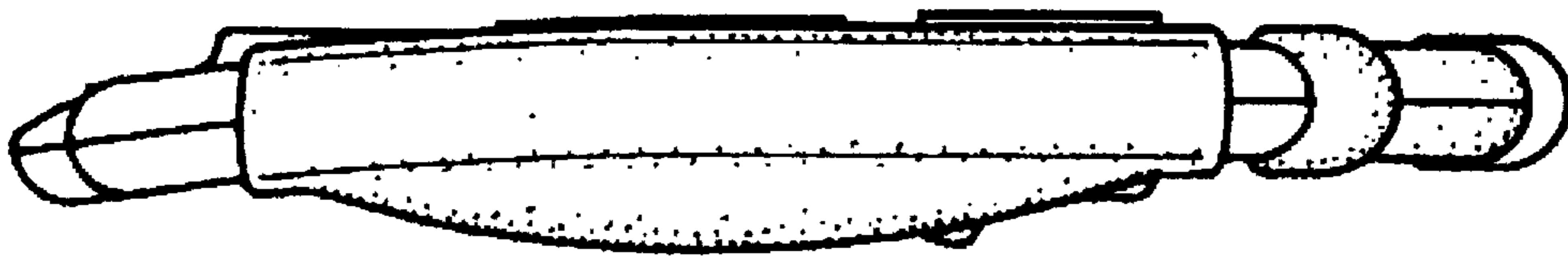


FIG. 5

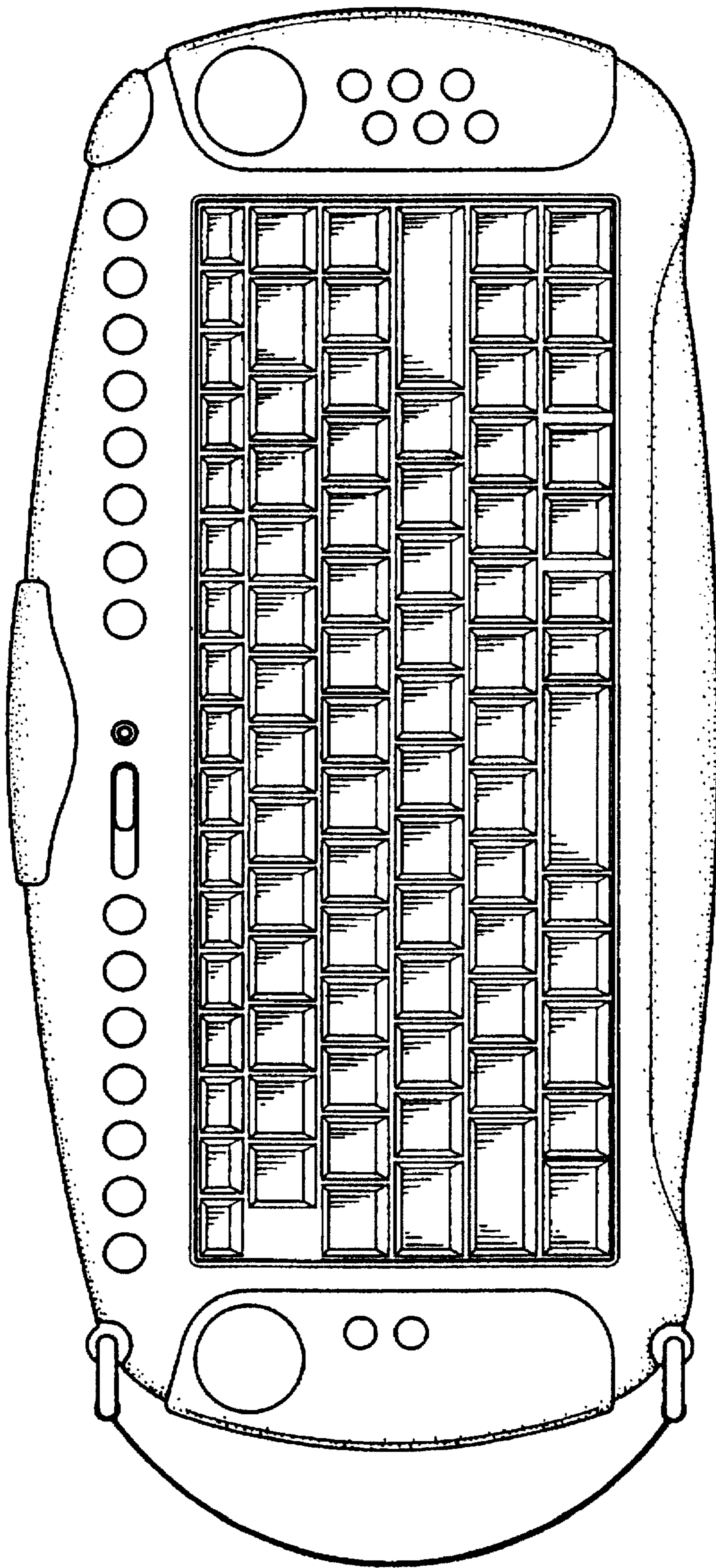


FIG.6

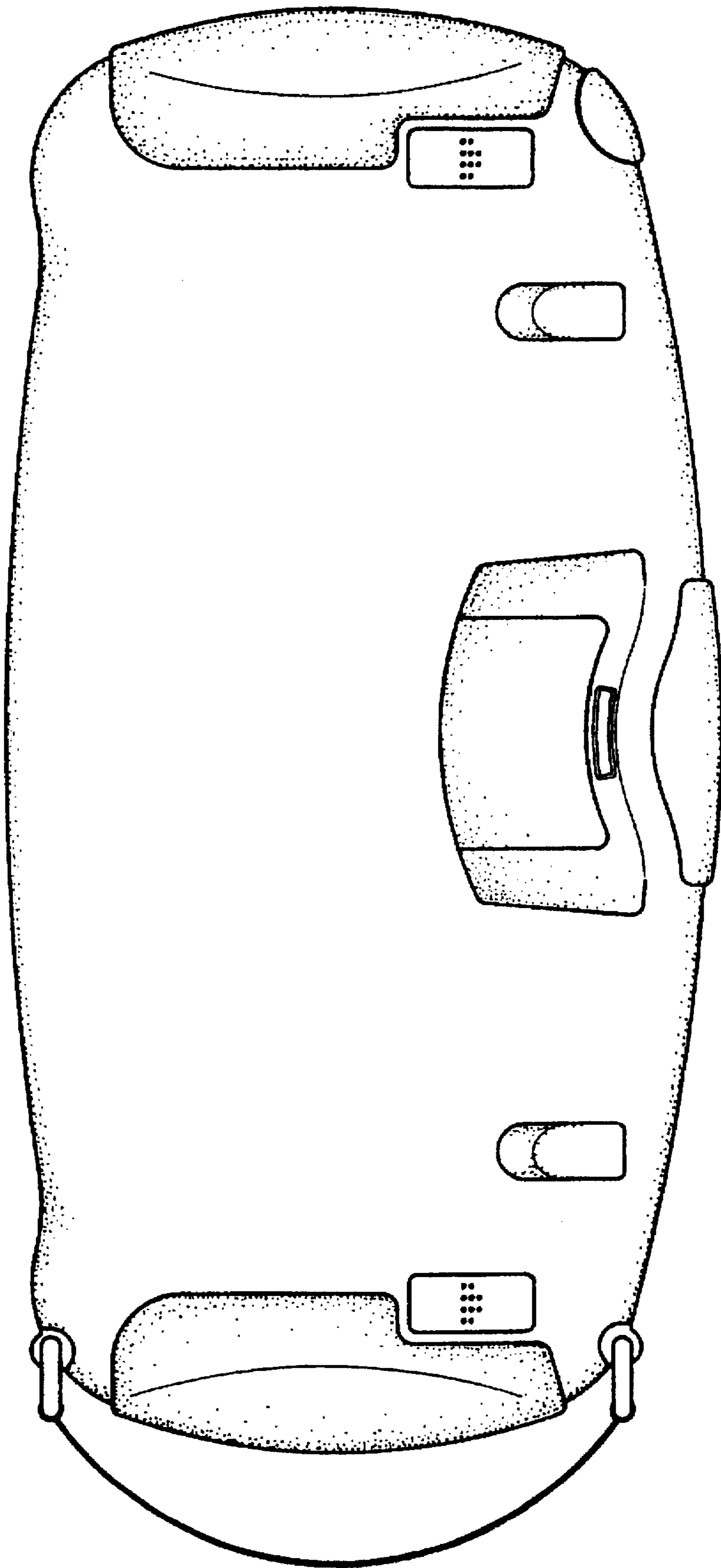


FIG.7