

US00D383740S

United States Patent [19]
Kirchhoff et al.

[11] **Patent Number: Des. 383,740**
[45] **Date of Patent: **Sep. 16, 1997**

[54] **WRIST REST**
[75] **Inventors: Kenneth J. Kirchhoff, Gem Lake;
Robert J. Wolf, Woodbury, both of
Minn.**
[73] **Assignee: Minnesota Mining and
Manufacturing Company, St. Paul,
Minn.**
[**] **Term: 14 Years**
[21] **Appl. No.: 51,895**
[22] **Filed: Mar. 19, 1996**

4,545,554 10/1985 Latino et al. 248/118.1
5,163,646 11/1992 Engelhardt 248/118
5,183,230 2/1993 Walker et al. 248/118
5,219,136 6/1993 Hassel et al. 248/118
5,242,139 9/1993 Aldrich 248/118
5,244,296 9/1993 Jensen D14/114 X
5,356,099 10/1994 Sereboff 248/118

Primary Examiner—Freda Nunn
Attorney, Agent, or Firm—Gary L. Griswold; Walter N. Kirn; William L. Huebsch

[51] **LOC (6) Cl. 14-02**
[52] **U.S. Cl. D14/114**
[58] **Field of Search D14/100, 114;
D18/1, 12; D6/448; 248/118, 118.1, 118.3,
118.5, 346.01, 489, 918-924, 676; 400/689-693,
715**

[57] **CLAIM**

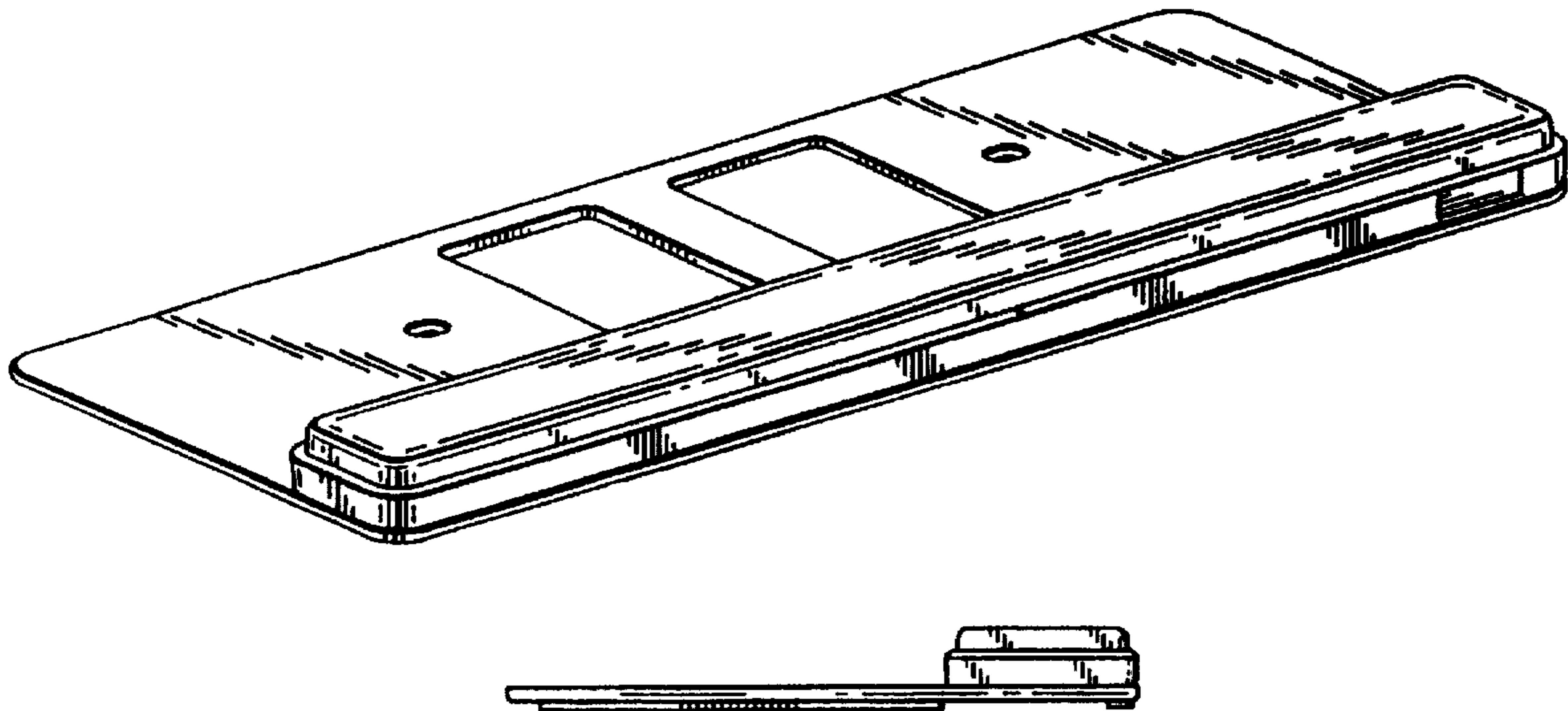
The ornamental design for a wrist rest, as shown and described.

DESCRIPTION

FIG. 1 is a top left front isometric view of a wrist rest showing our new design;
FIG. 2 is a left side elevational view of the embodiment shown in FIG. 1, the right side elevational view being a mirror image of FIG. 2;
FIG. 3 is a top plan view of the embodiment shown in FIG. 1;
FIG. 4 is a bottom plan view of the embodiment shown in FIG. 1;
FIG. 5 is a front elevational view of the embodiment shown in FIG. 1; and,
FIG. 6 is a rear elevational view of the embodiment shown in FIG. 1.

[56] **References Cited**
U.S. PATENT DOCUMENTS
D. 335,876 5/1993 Anello, Jr. et al. D14/114
D. 342,243 12/1993 Land D14/114
D. 344,499 2/1994 Stahl et al. D14/114
D. 347,422 5/1994 Taslitz D14/114
D. 355,647 2/1995 Gresko D14/114
D. 357,009 4/1995 Rossman et al. D14/114
D. 357,910 5/1995 Neuhouse D14/114
D. 370,474 6/1996 Kirchhoff et al. D14/114

1 Claim, 2 Drawing Sheets



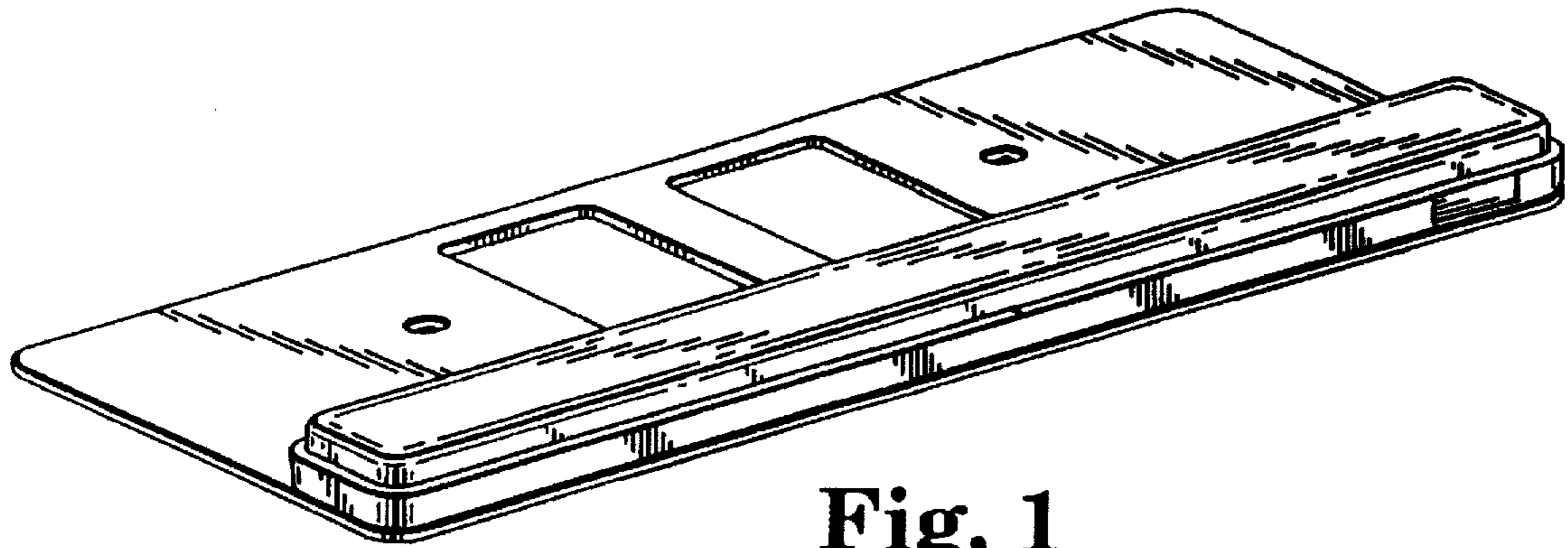


Fig. 1



Fig. 2

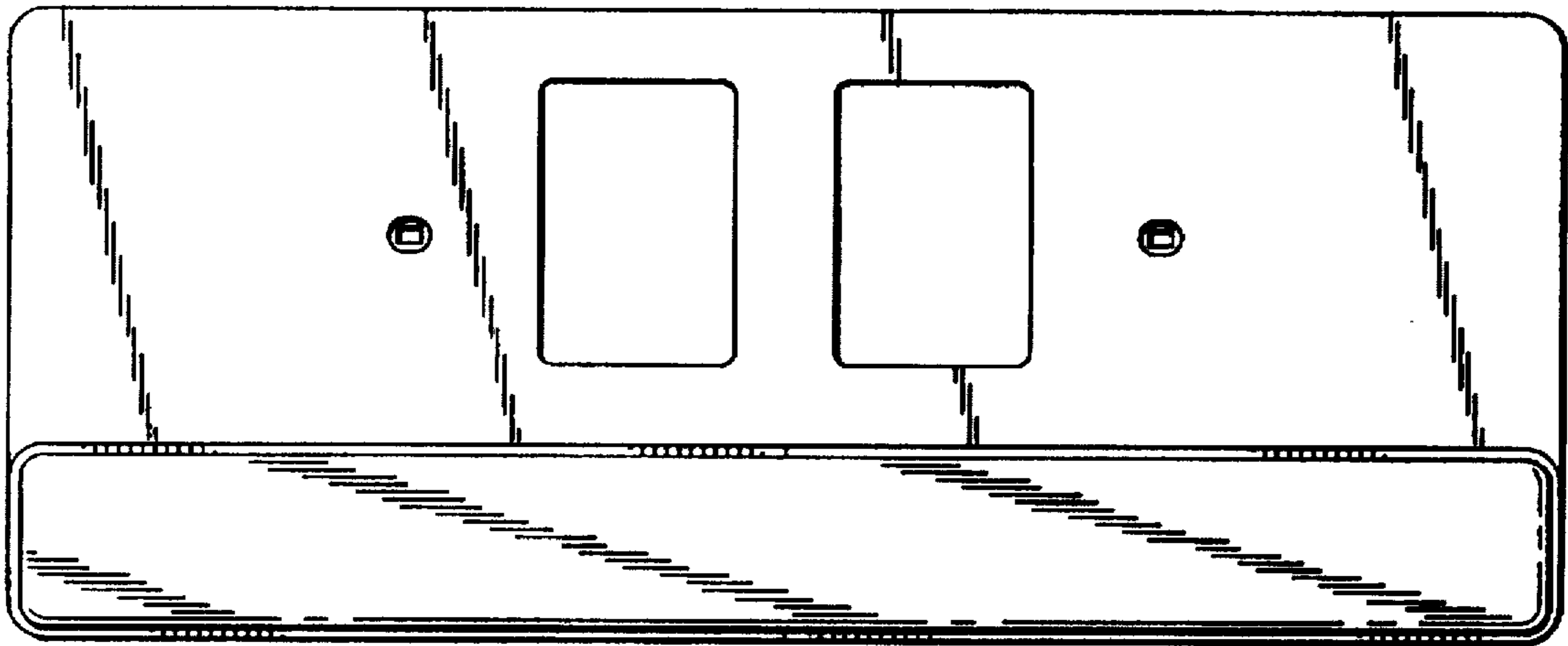


Fig. 3

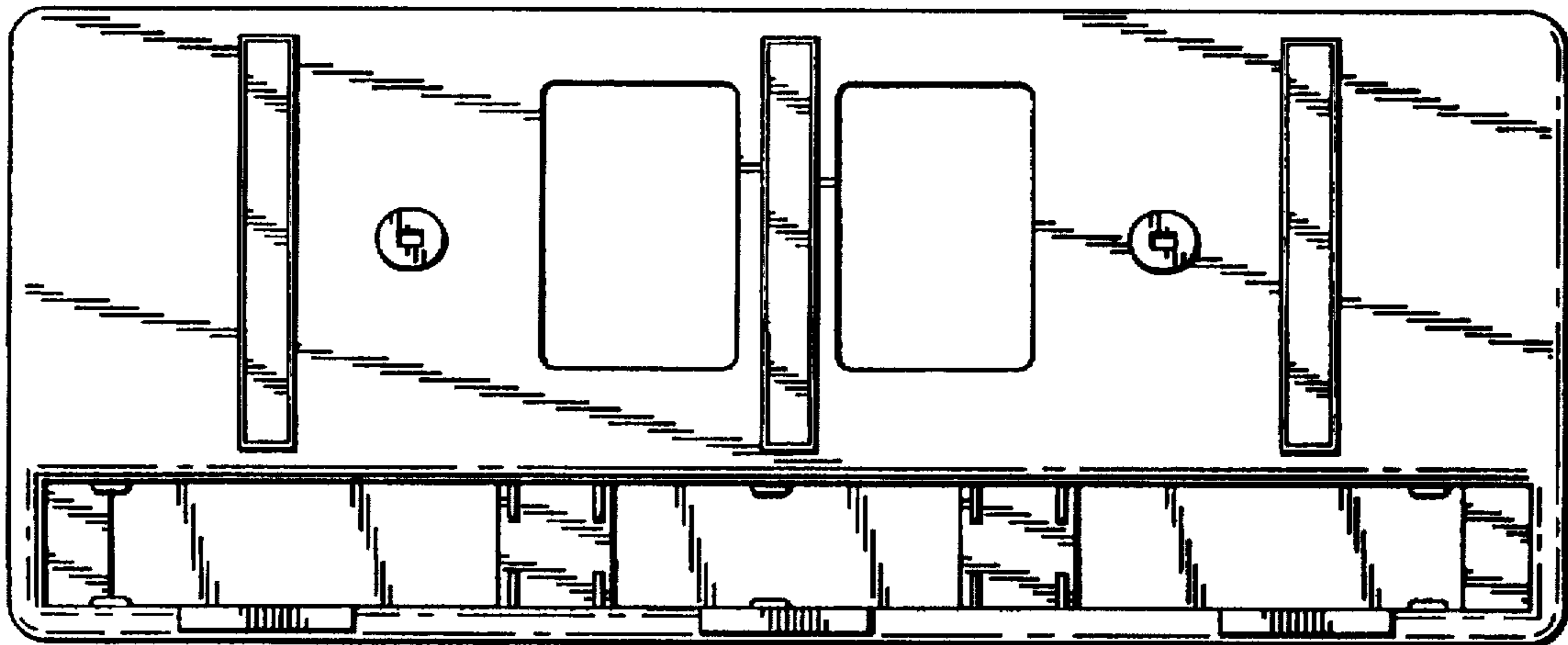


Fig. 4



Fig. 5

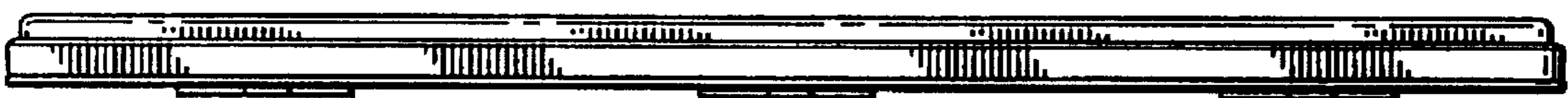


Fig. 6