



US00D383737S

United States Patent [19]
Zinck

[11] **Patent Number: Des. 383,737**
[45] **Date of Patent: **Sep. 16, 1997**

[54] **REMOVABLE DRIVE BAY DEVICE**

[76] **Inventor: Wolfgang Zinck, 1790 Skyline Blvd., Reno, Nev. 89509**

[**] **Term: 14 Years**

[21] **Appl. No.: 52,850**

[22] **Filed: Apr. 10, 1996**

[51] **LOC (6) Cl. 14-02**

[52] **U.S. Cl. D14/109; D14/107**

[58] **Field of Search D14/100, 107, D14/108, 109; D13/162, 184, 199; 312/208.1; 360/97.01, 97.04, 98.01, 99.01, 99.12; 361/680-696; 439/64; 369/36**

[56] **References Cited**

U.S. PATENT DOCUMENTS

D. 341,824	11/1993	Chen	D14/100
D. 374,216	10/1996	Paul	D14/107
4,754,397	6/1988	Varaiya et al.	361/685
5,324,204	6/1994	Lwee	439/64
5,373,489	12/1994	Sato et al.	369/36

Primary Examiner—Freda Nunn
Attorney, Agent, or Firm—Ian F. Burns

[57] **CLAIM**

The ornamental design for a removable drive bay device, as shown and described.

DESCRIPTION

FIG. 1 is a left side perspective view of a removable drive bay device showing my new design fully assembled;

FIG. 2 is a front elevational view of the device fully assembled;

FIG. 3 is a rear elevational view of the device fully assembled;

FIG. 4 is a right side elevational view of the device fully assembled;

FIG. 5 is a top plan view of the device fully assembled;

FIG. 6 is a bottom plan view of the device fully assembled;

FIG. 7 is a perspective view of the base of the device shown separately for clarity of illustration only;

FIG. 8 is a front elevational view of the device base only;

FIG. 9 is a rear elevational view of the device base only;

FIG. 10 is a right side elevational view of the device base only the left side being a mirror image;

FIG. 11 is a top plan view of the device base only;

FIG. 12 is a bottom plan view of the device base only;

FIG. 13 is a perspective view of one of the sliding storage cases shown separately for clarity of illustration only;

FIG. 14 is a front elevational view of the sliding storage case only;

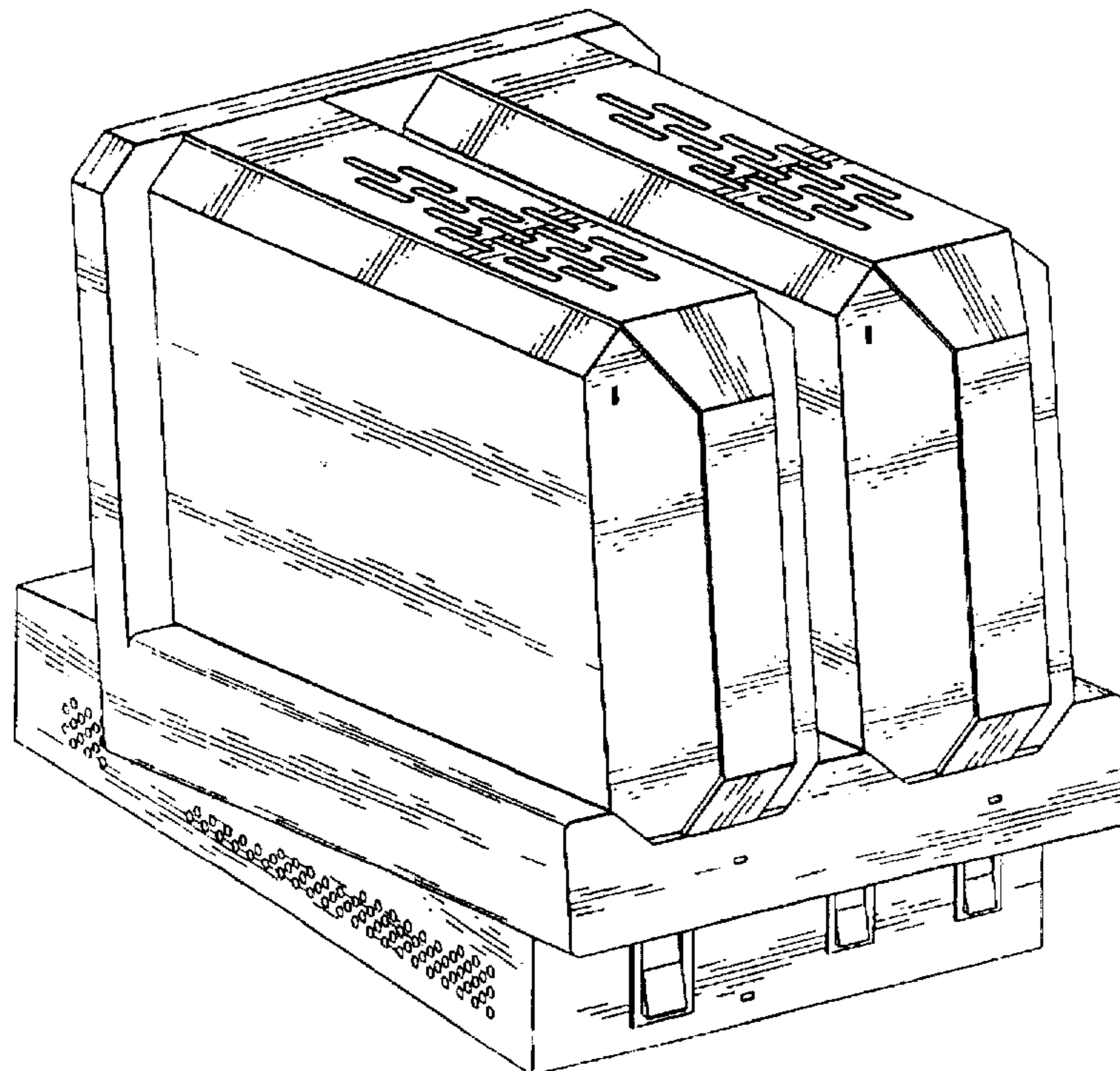
FIG. 15 is a rear elevational view of the sliding storage case only;

FIG. 16 is a right side elevational view of the sliding storage case only the left side being a mirror image;

FIG. 17 is a top plan view of the device storage case only; and,

FIG. 18 is a bottom plan view of the sliding storage case only.

1 Claim, 5 Drawing Sheets



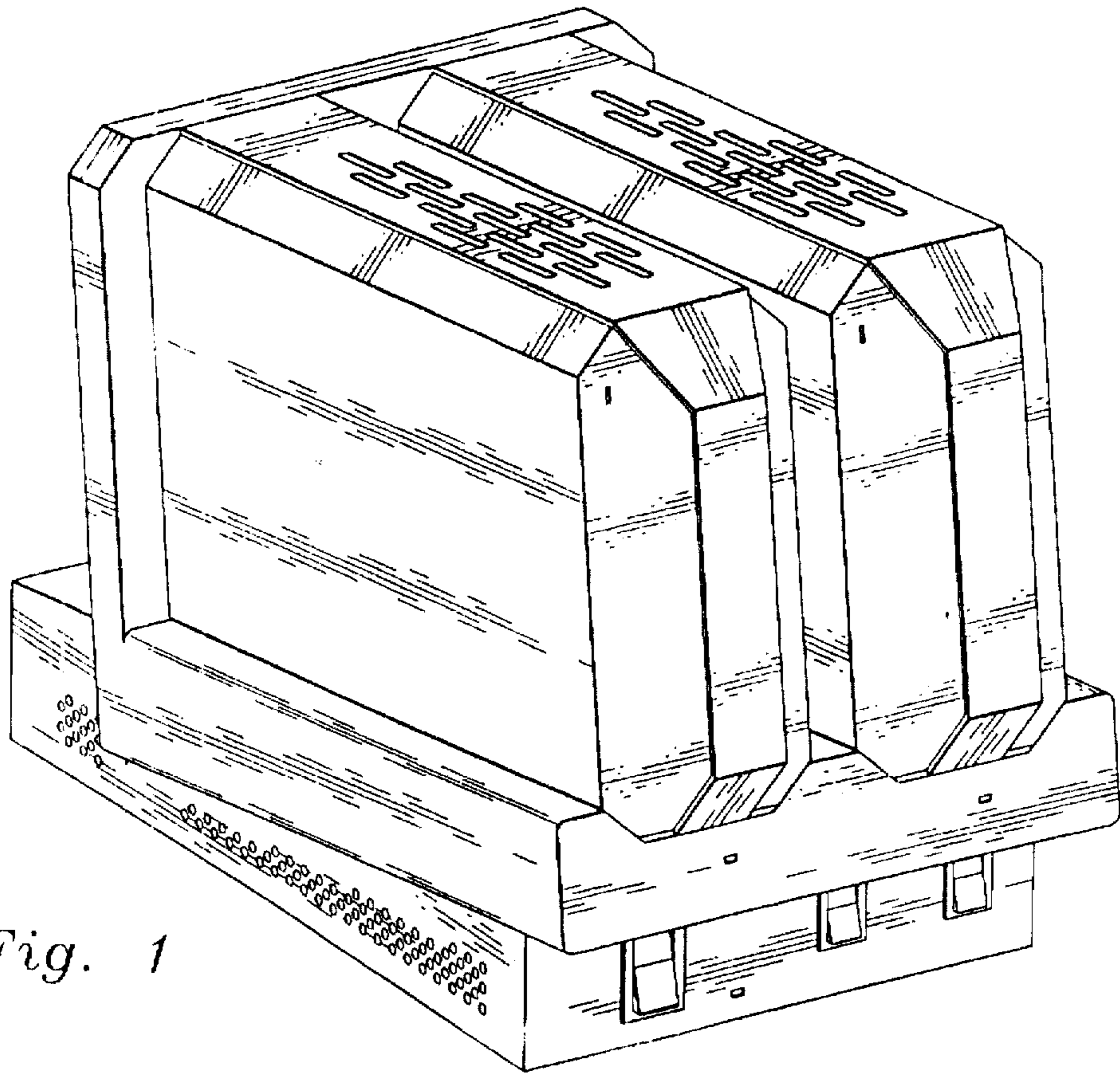


Fig. 1

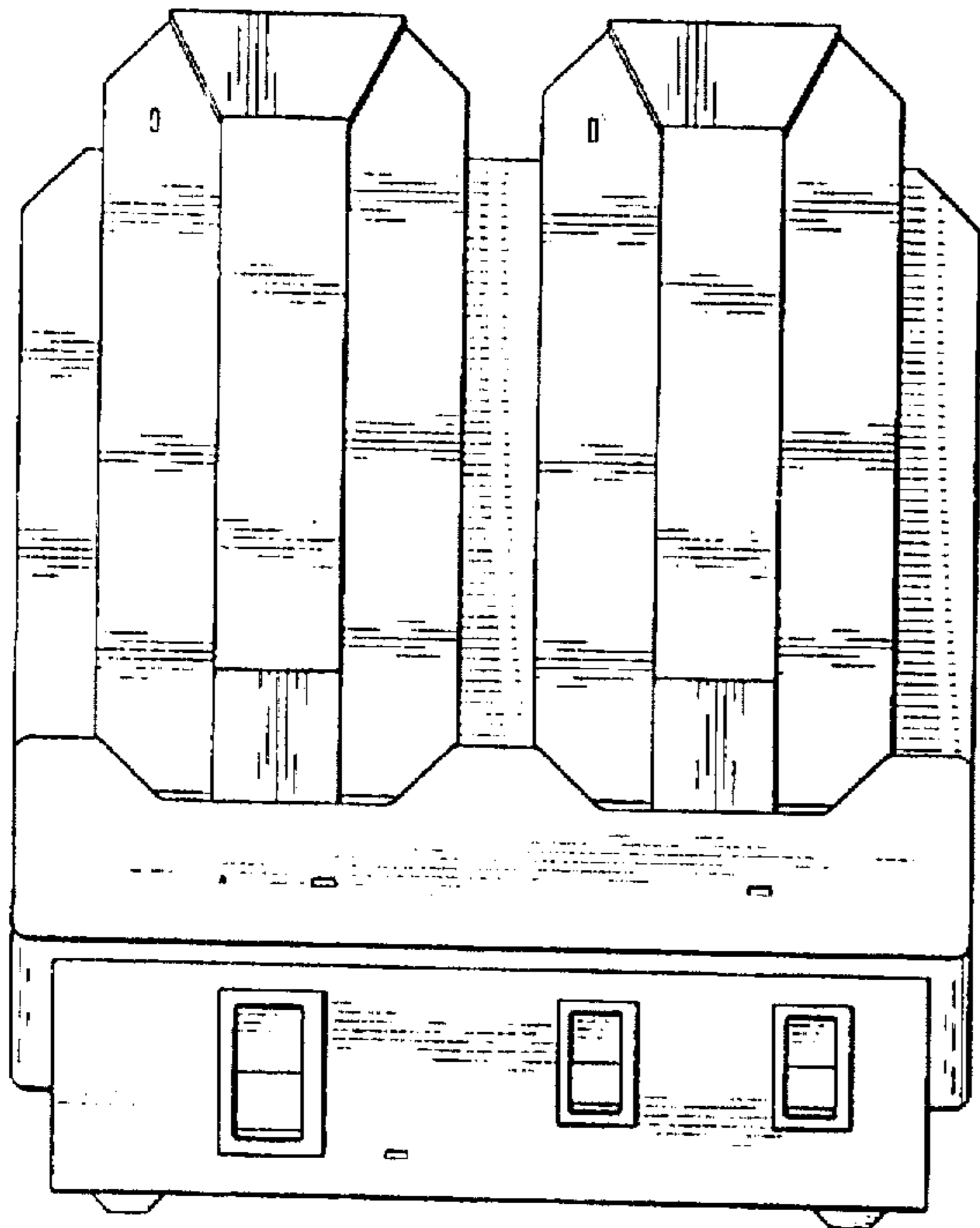


Fig. 2

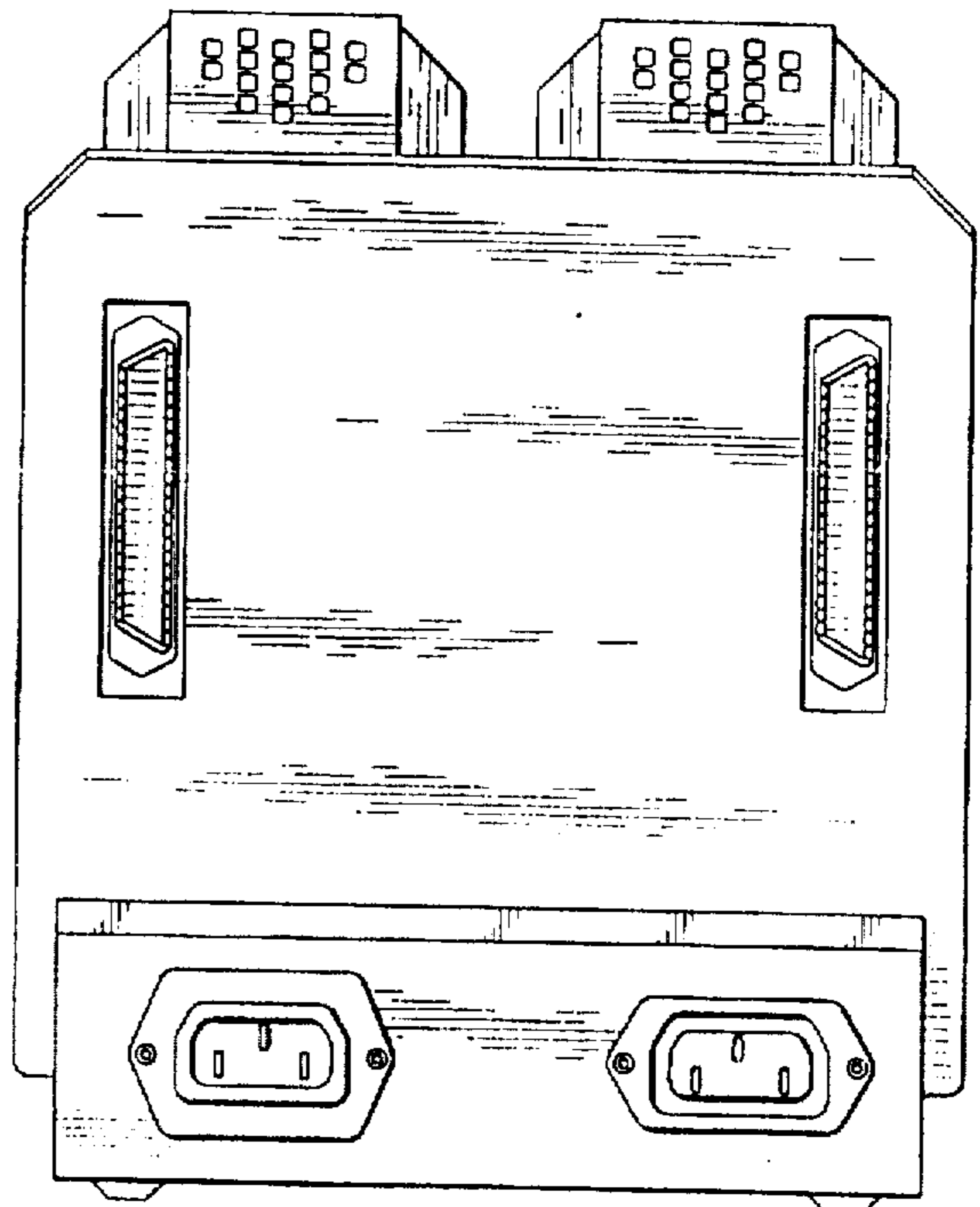


Fig. 3

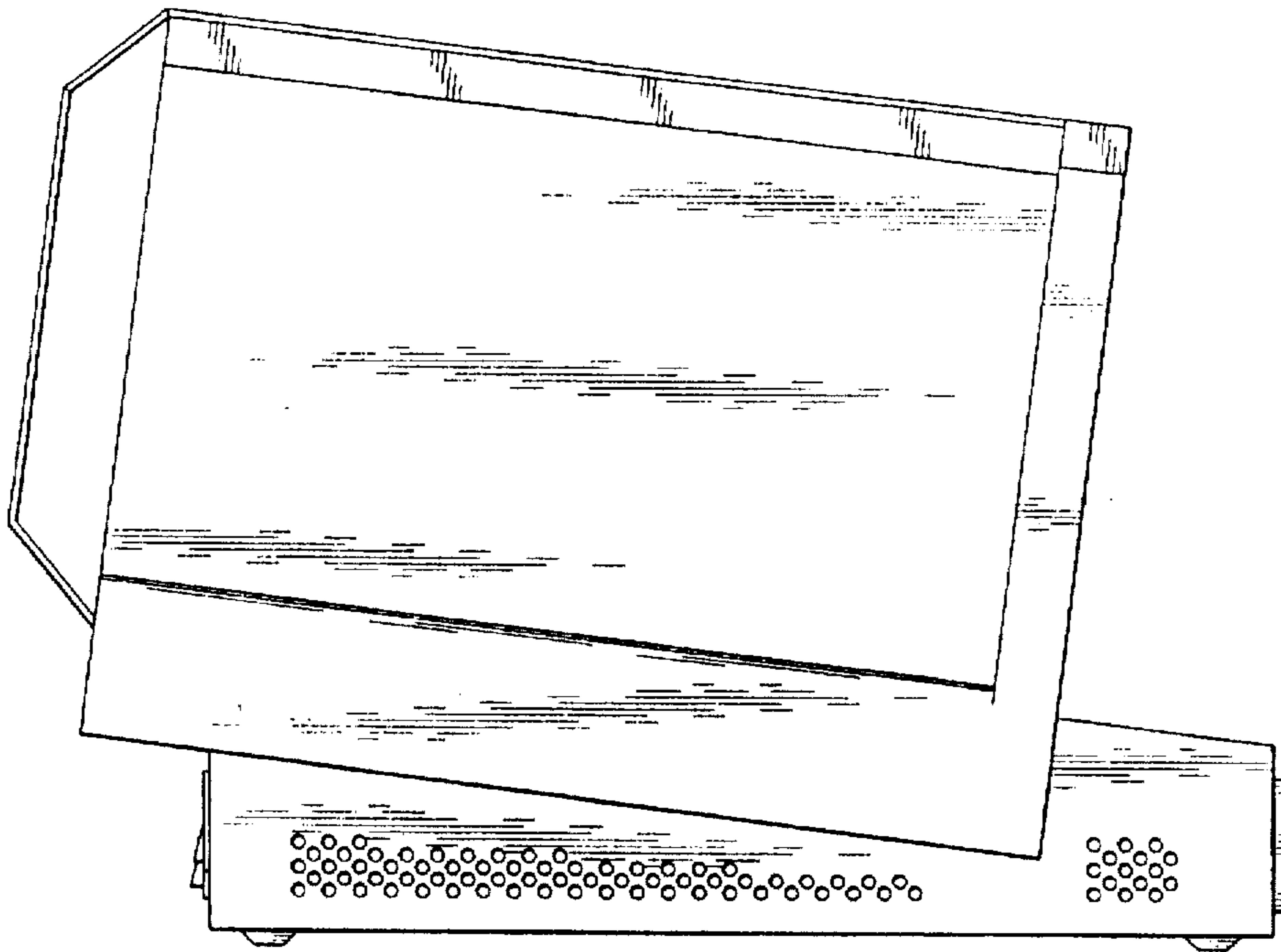


Fig. 4

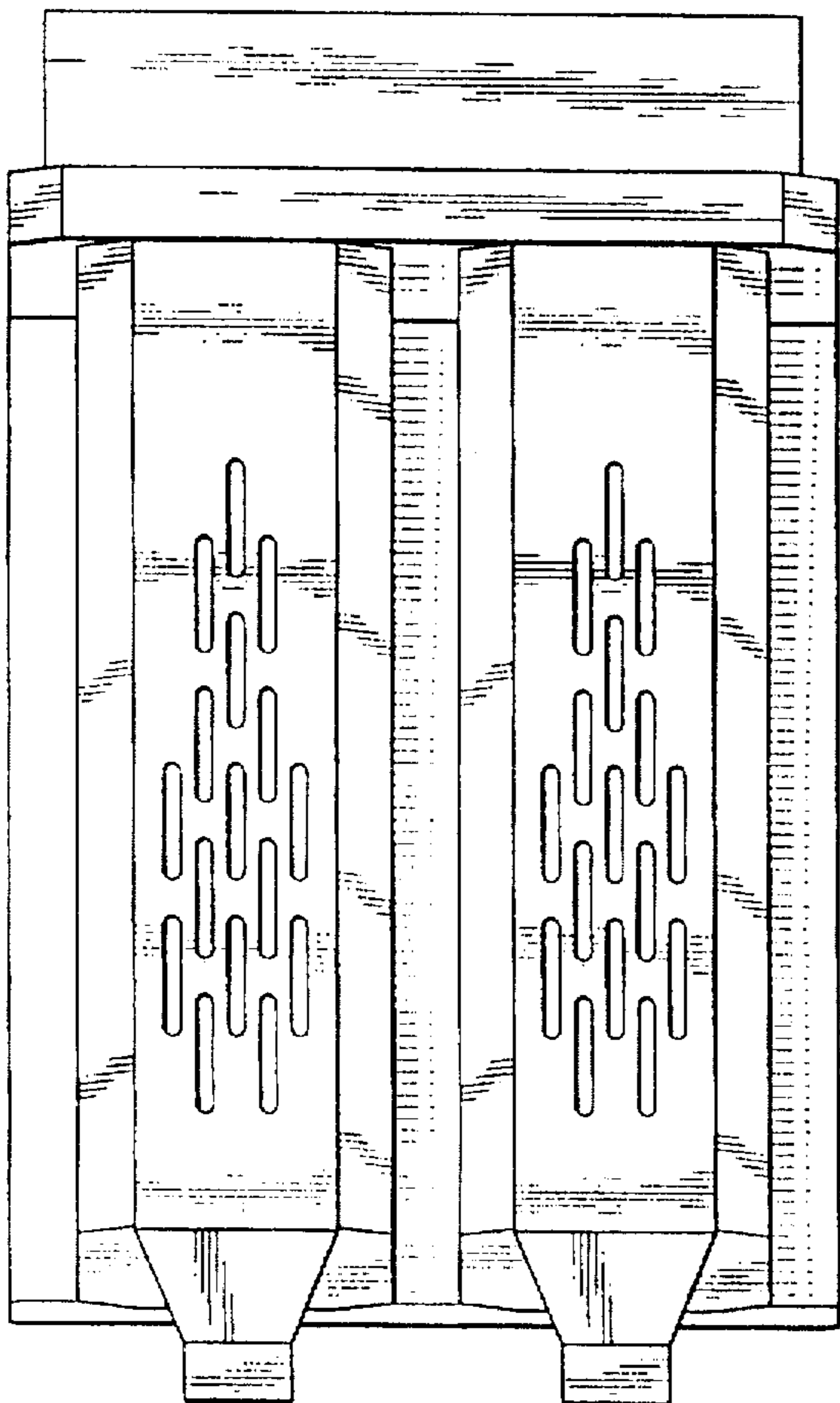


Fig. 5

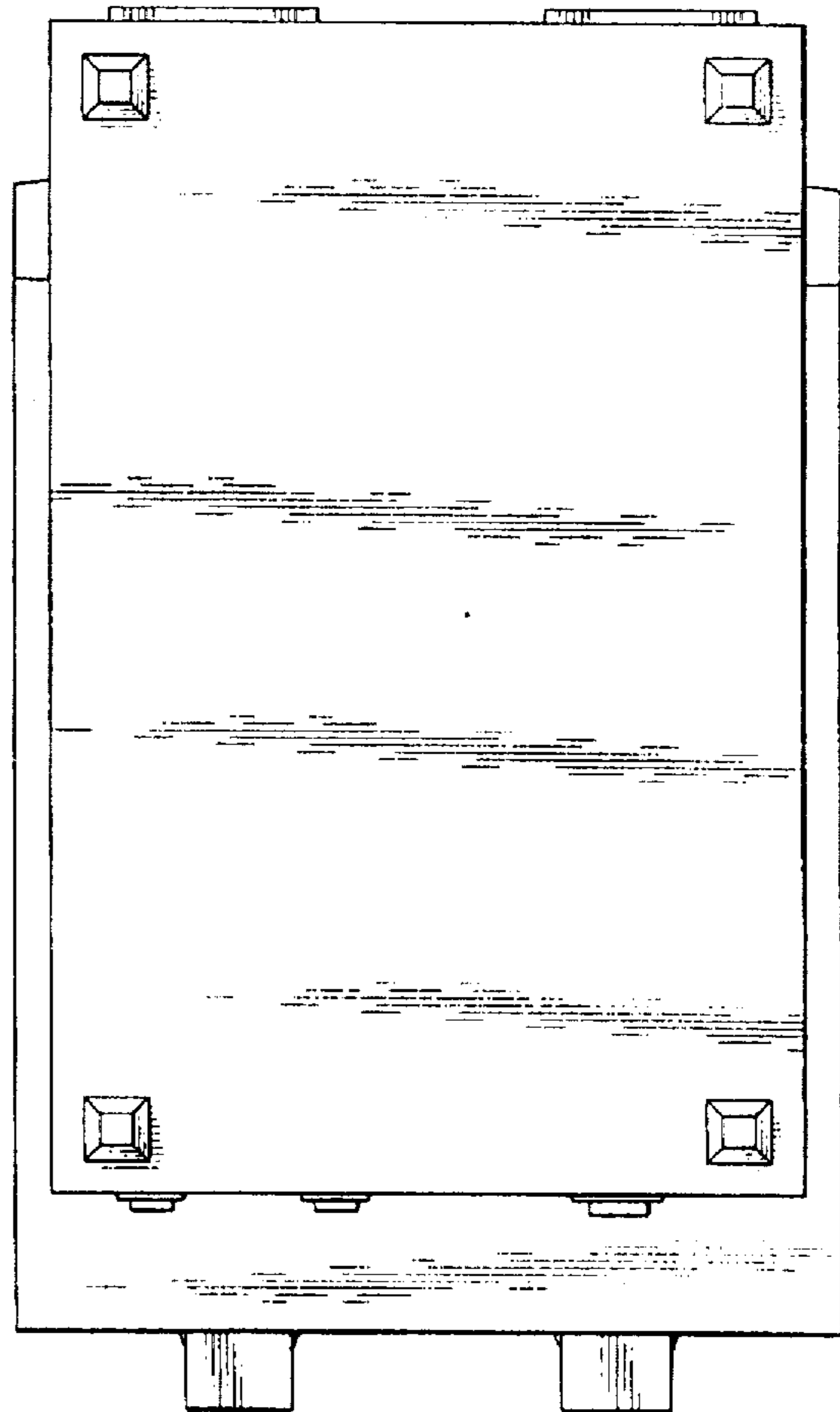


Fig. 6

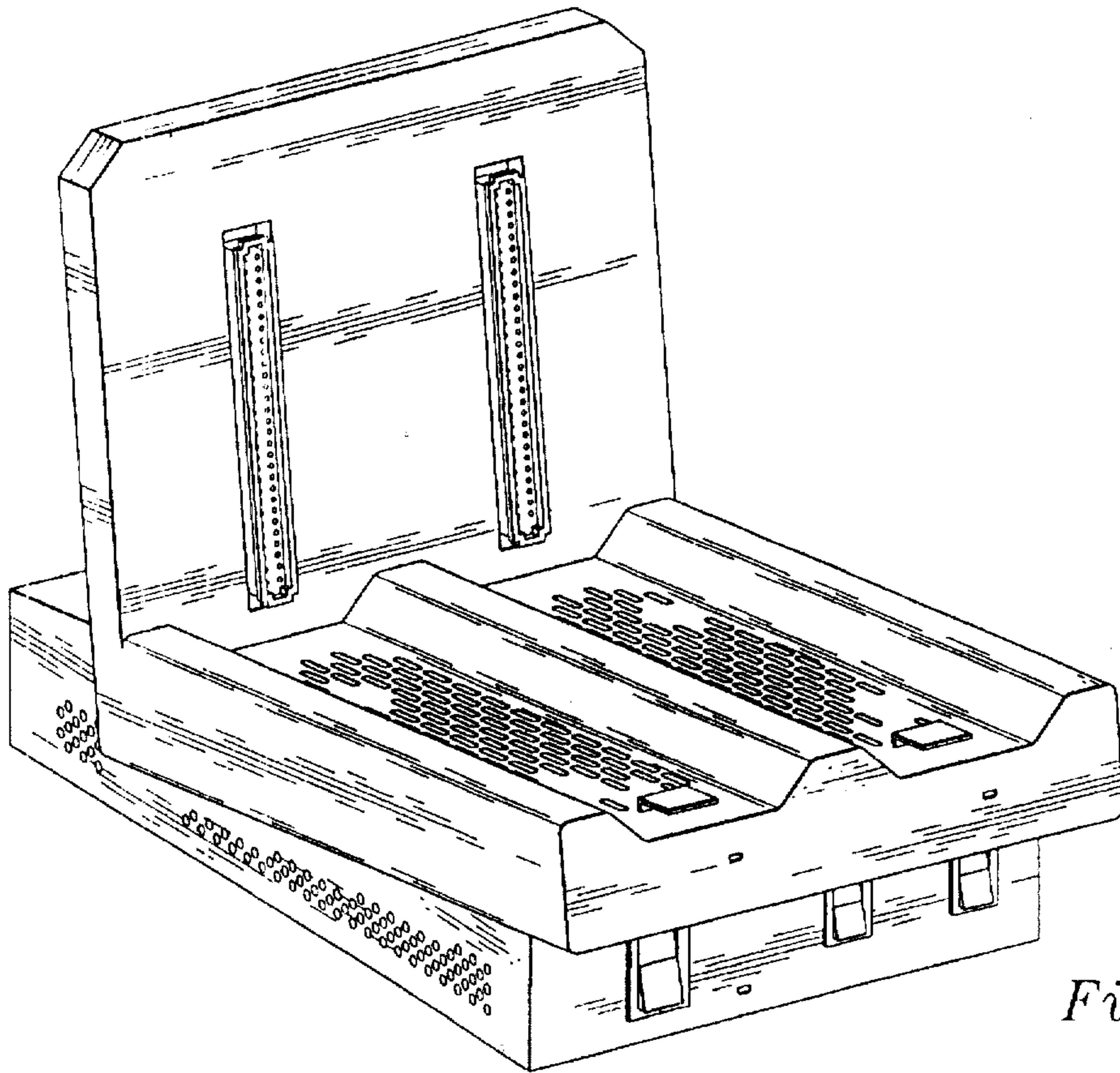


Fig. 7

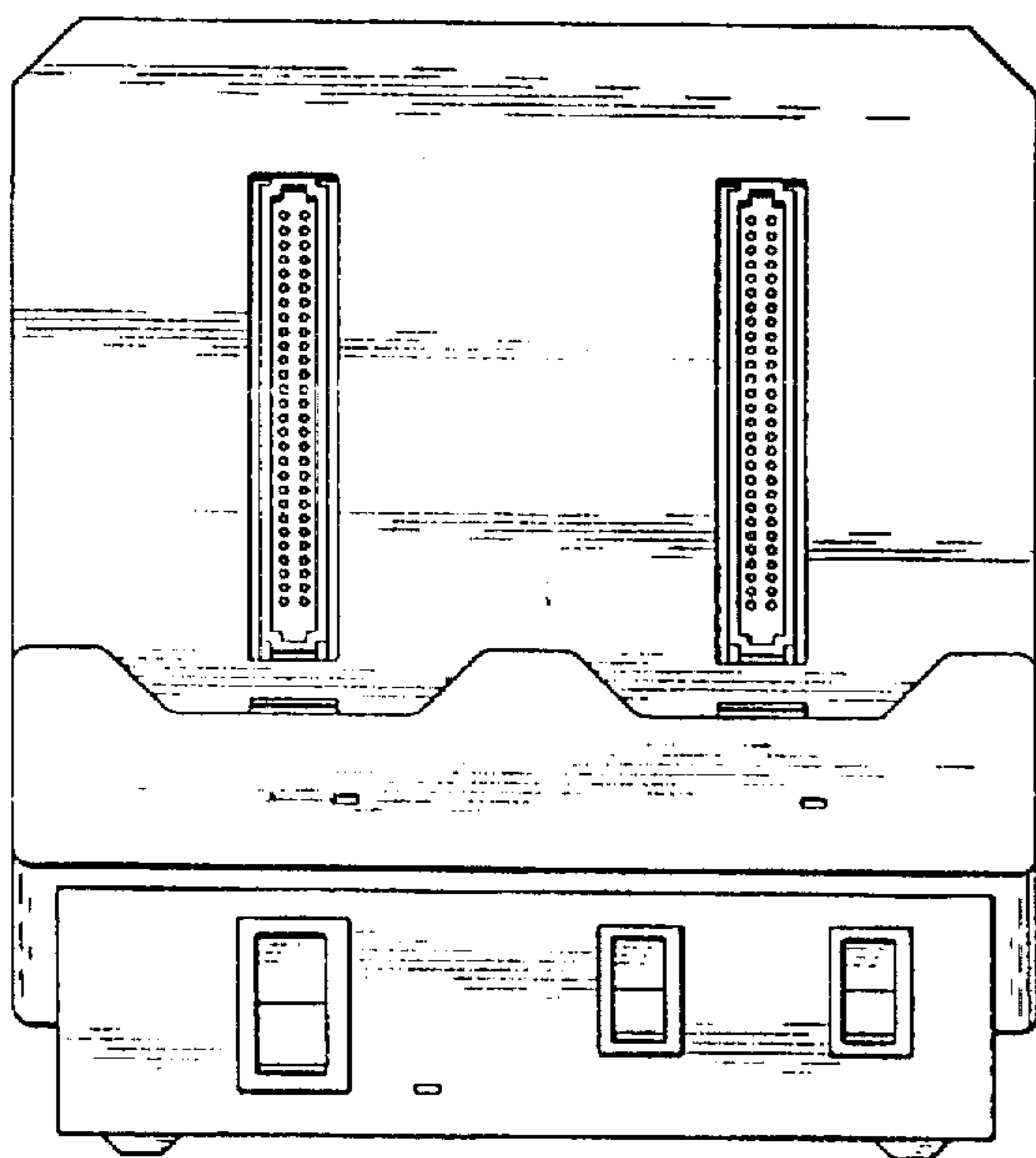


Fig. 8

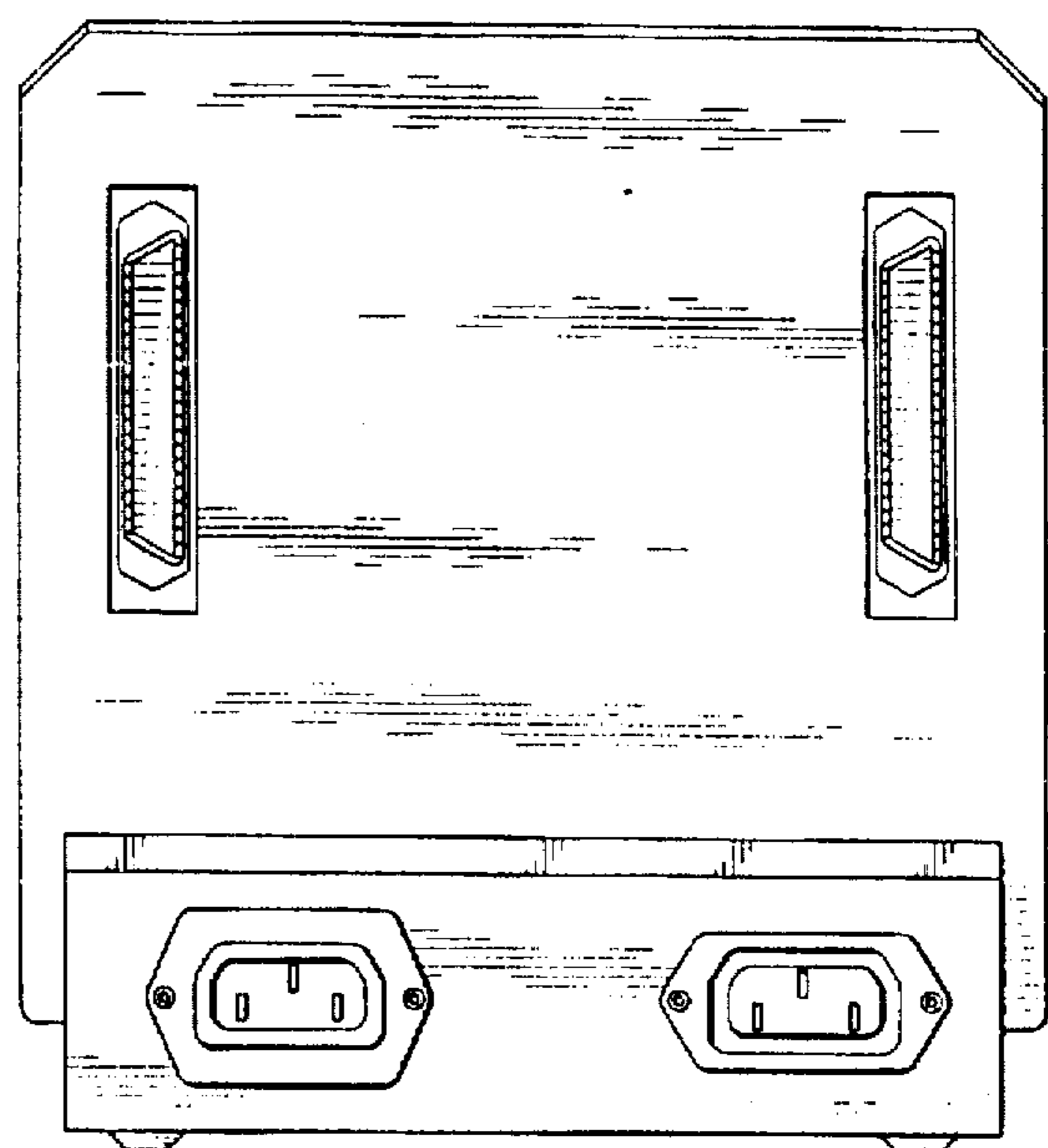


Fig. 9

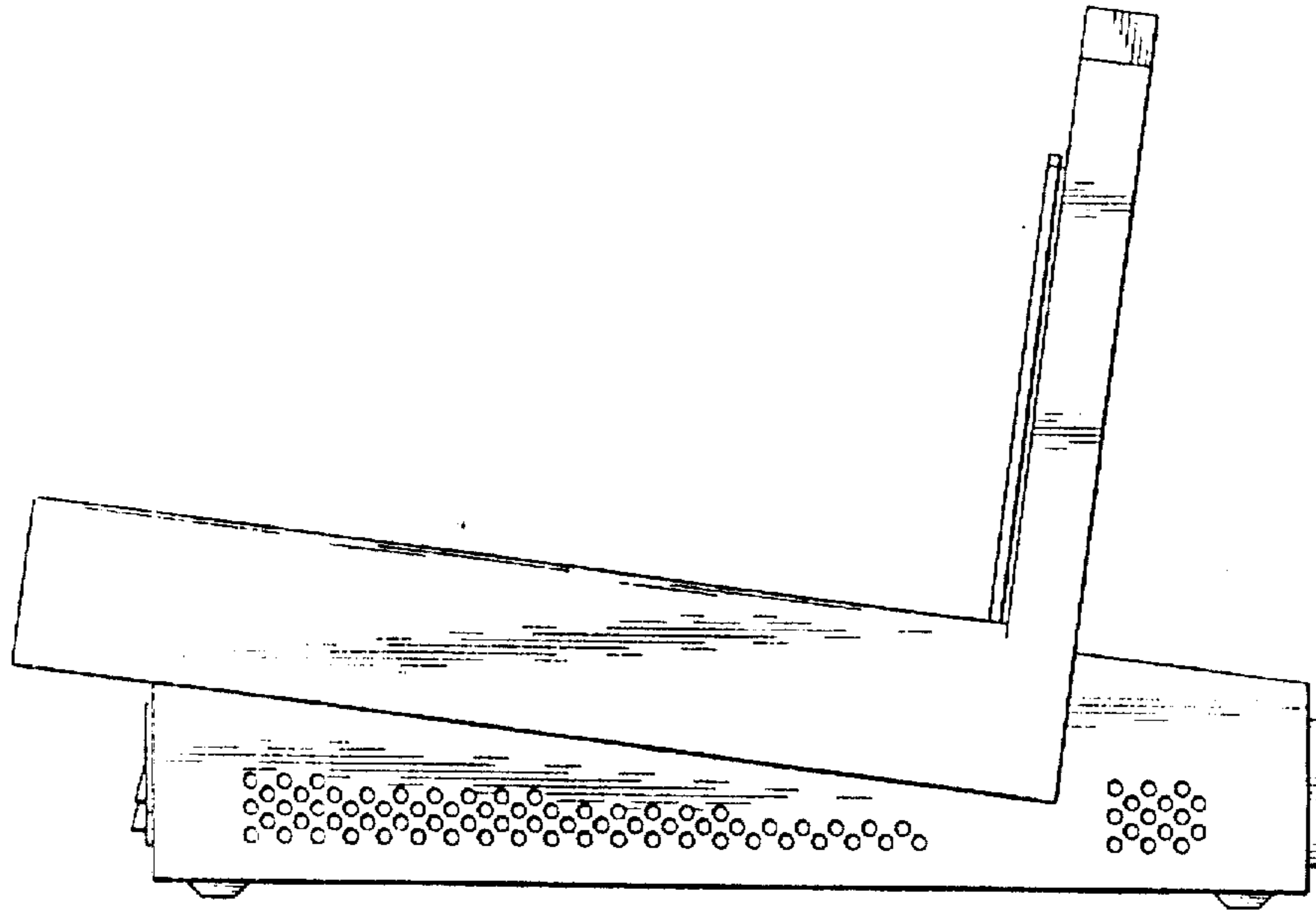


Fig. 10

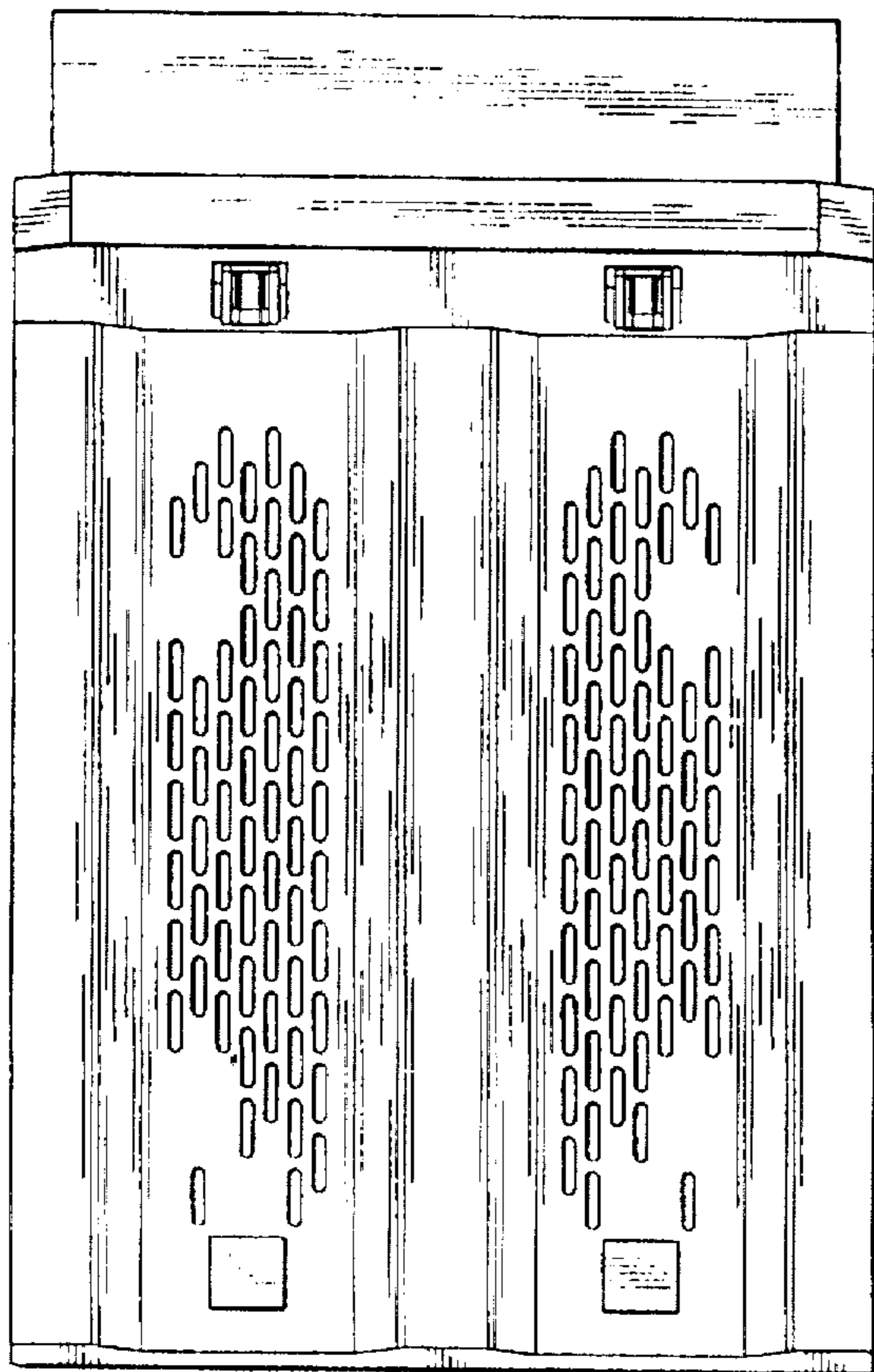


Fig. 11

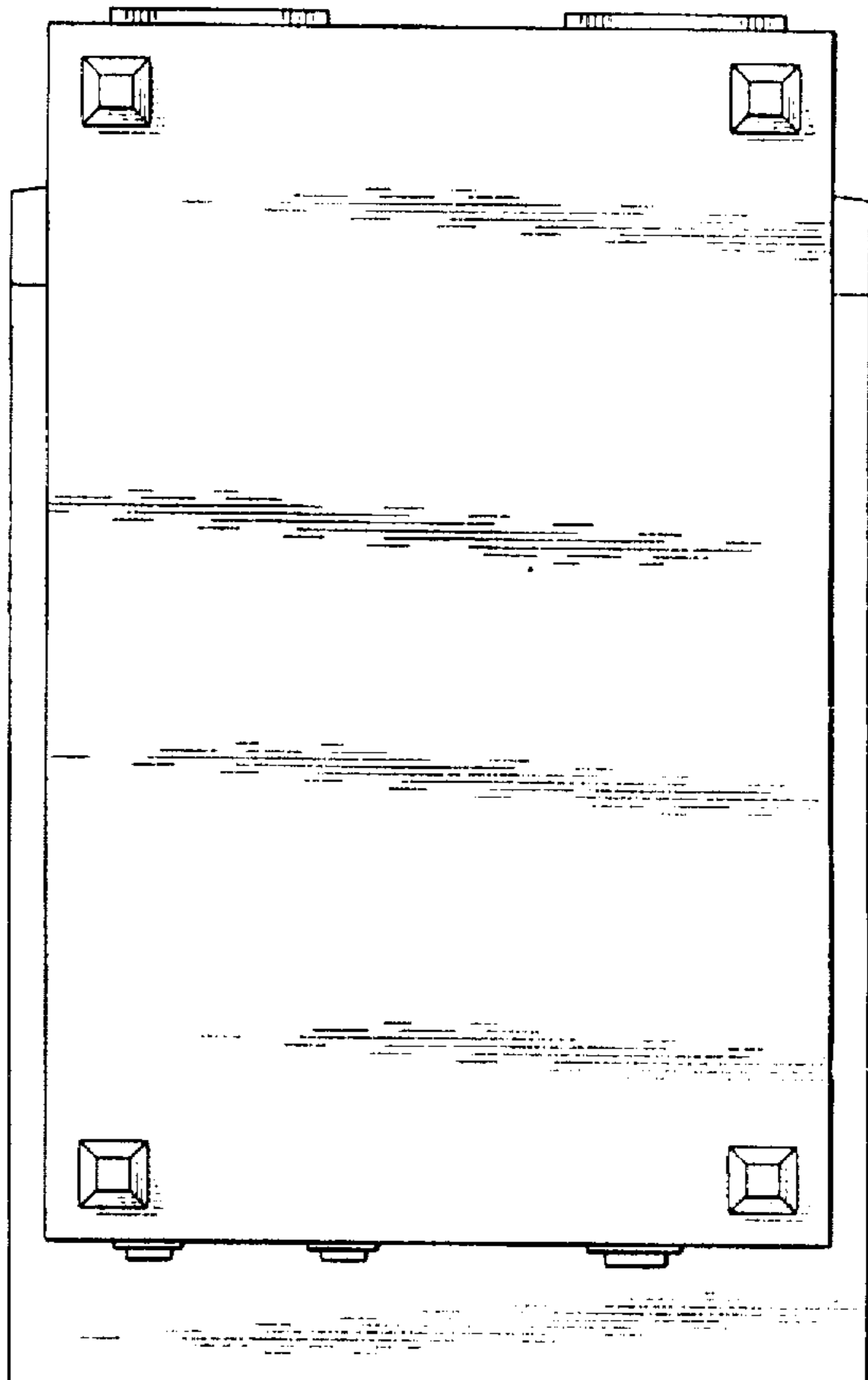


Fig. 12

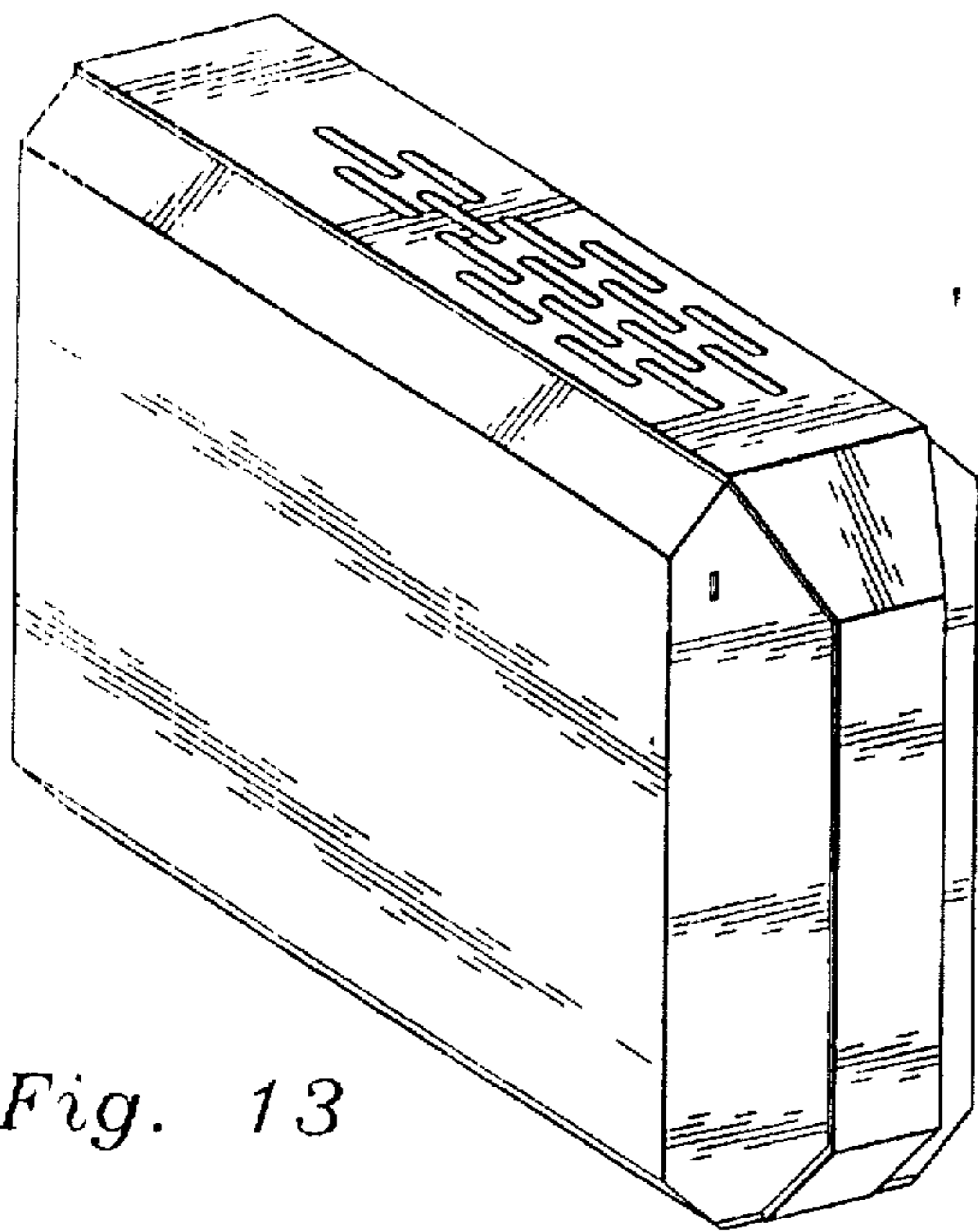


Fig. 13

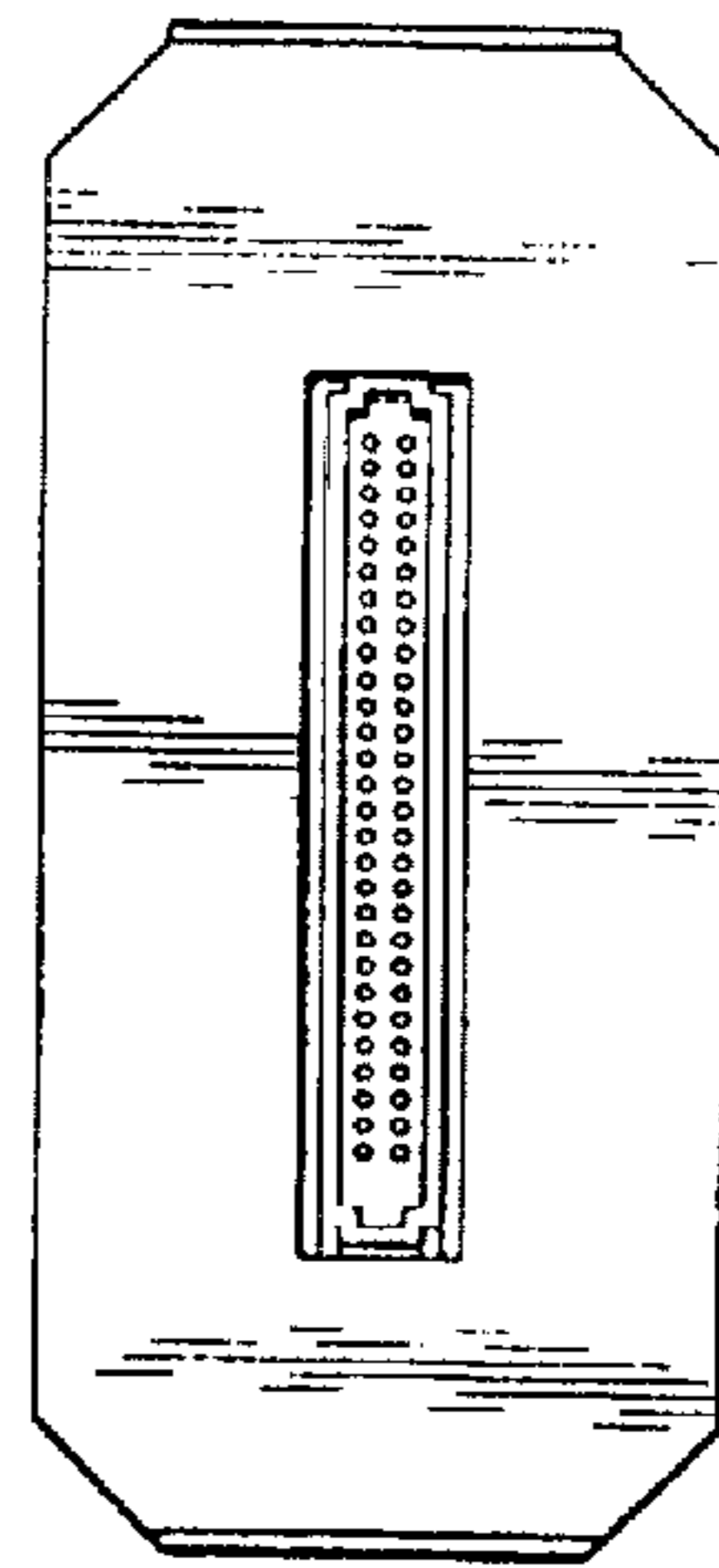


Fig. 15

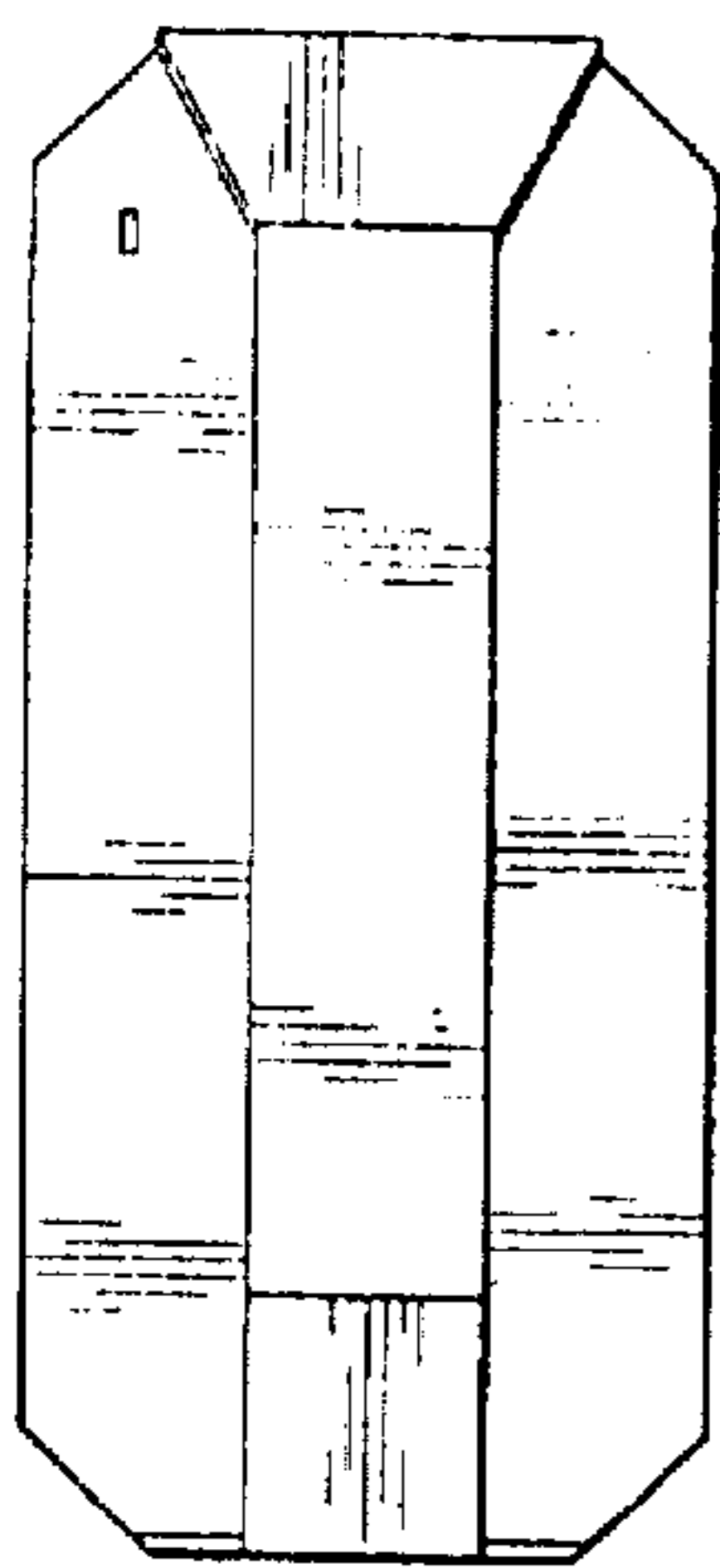


Fig. 14

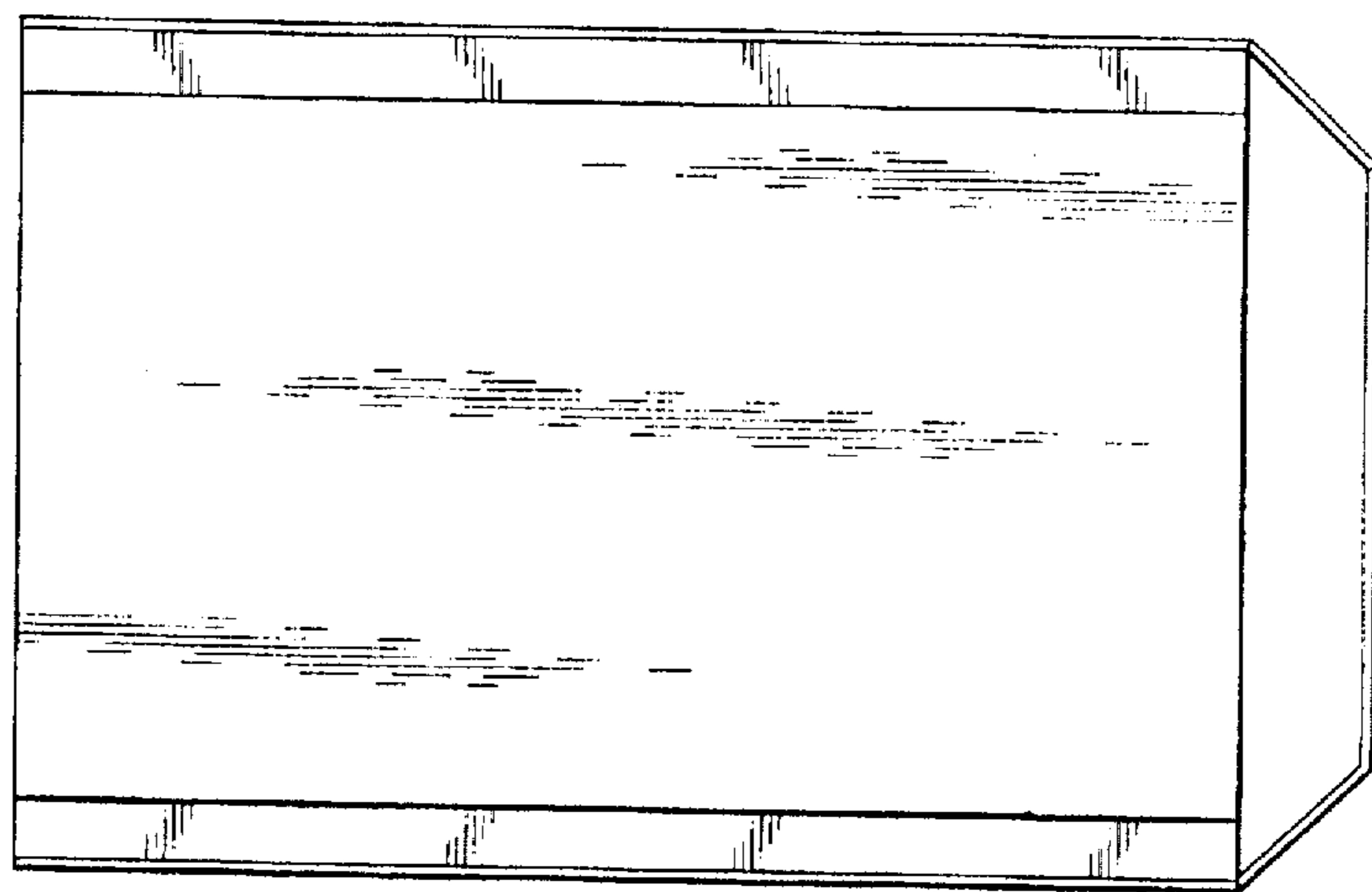


Fig. 16

Fig. 17

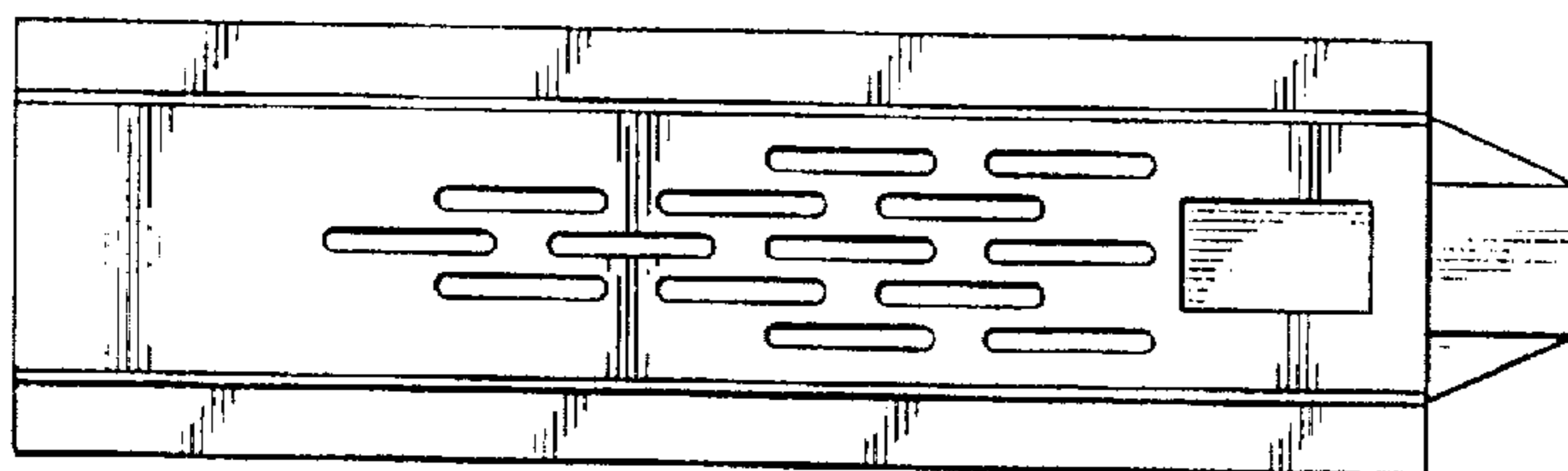
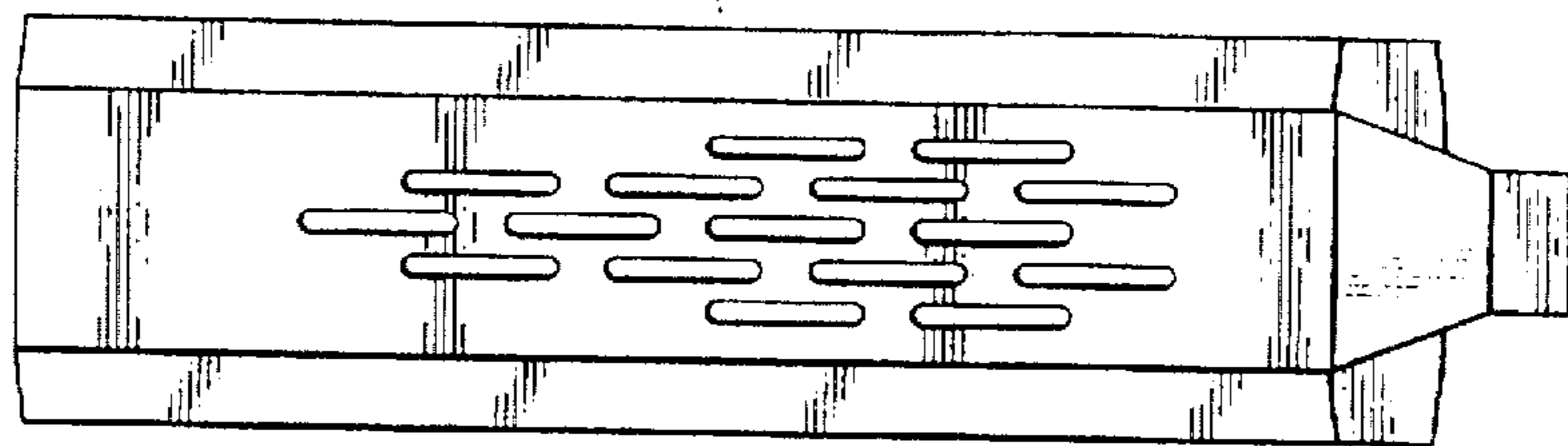


Fig. 18