



US00D383736S

United States Patent [19]

Corrington et al.

[11] Patent Number: **Des. 383,736**

[45] Date of Patent: ****Sep. 16, 1997**

[54] **REMOVABLE HARD DISK DRIVE MODULE**

[75] Inventors: **Richard A. Corrington, Tustin; Alan B. Gordon, Costa Mesa, both of Calif.**

[73] Assignee: **Micronet Technology, Inc.**

[**] Term: **14 Years**

[21] Appl. No.: **51,676**

[22] Filed: **Mar. 15, 1996**

[51] LOC (6) Cl. **14-02**

[52] U.S. Cl. **D14/109**

[58] **Field of Search** D14/100, 102, D14/107-109; D13/162, 184, 199; 312/254, 292; 360/99.01-99.12; 369/34, 36; 361/728-736, 680-685; 379/67, 93, 100, 102

[56] **References Cited**

U.S. PATENT DOCUMENTS

D. 283,131 3/1986 Baker D14/109

D. 323,321 1/1992 Kline et al. D14/109
D. 330,198 10/1992 Lajara et al. D14/107 X
5,435,737 7/1995 Haga et al. 361/685 X

Primary Examiner—Freda Nunn
Attorney, Agent, or Firm—Irell & Manella LLP

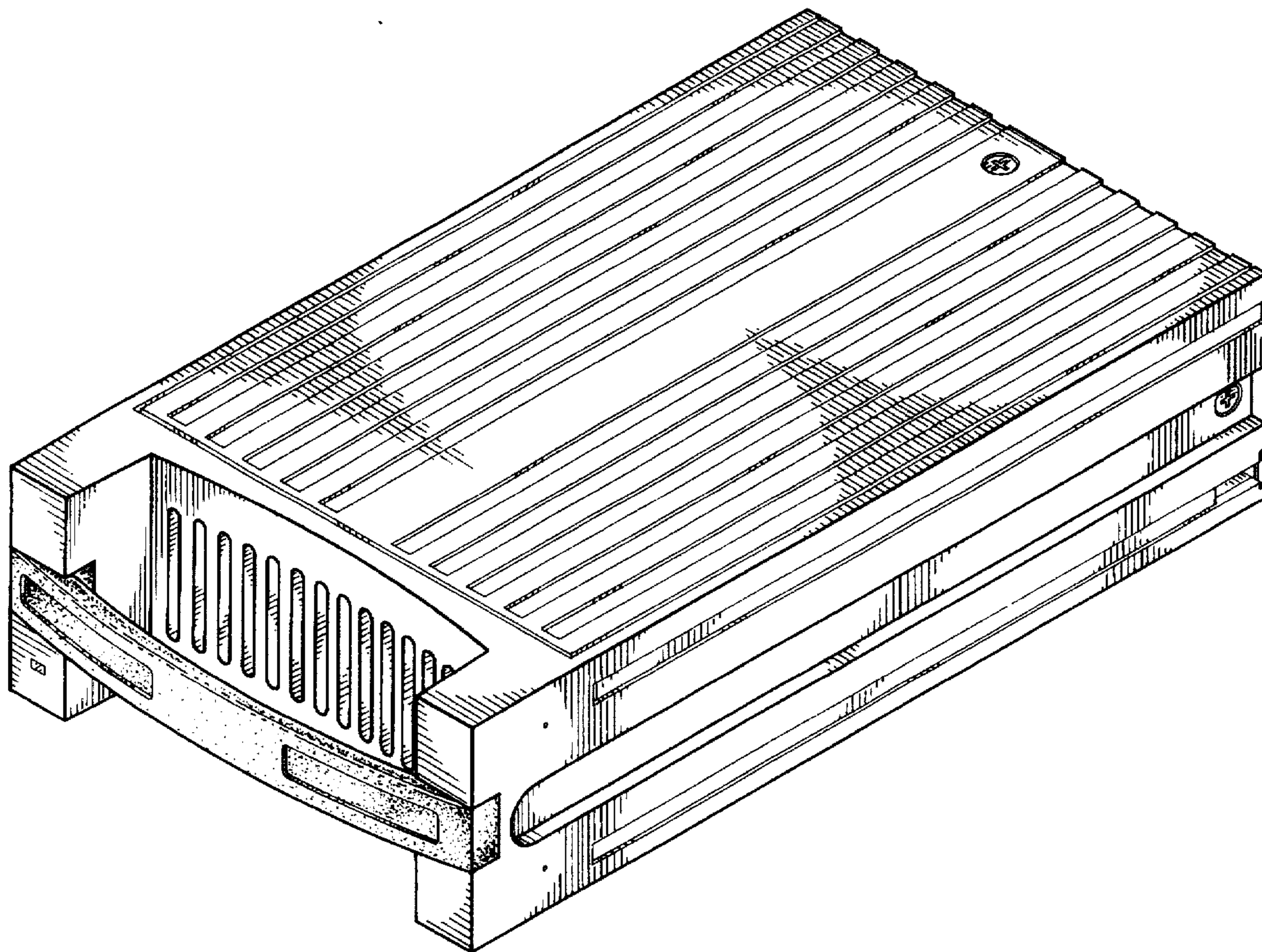
[57] **CLAIM**

The ornamental design for a removable hard disk drive module, as shown and described.

DESCRIPTION

FIG. 1 is a top, front, and right side perspective view of the removable hard disk drive module showing our new design; FIG. 2 is a top plan view thereof; FIG. 3 is a front elevational view thereof; FIG. 4 is a rear elevational view thereof; FIG. 5 is a bottom plan view thereof; FIG. 6 is a left side elevational view thereof; and, FIG. 7 is a right side elevational view thereof.

1 Claim, 5 Drawing Sheets



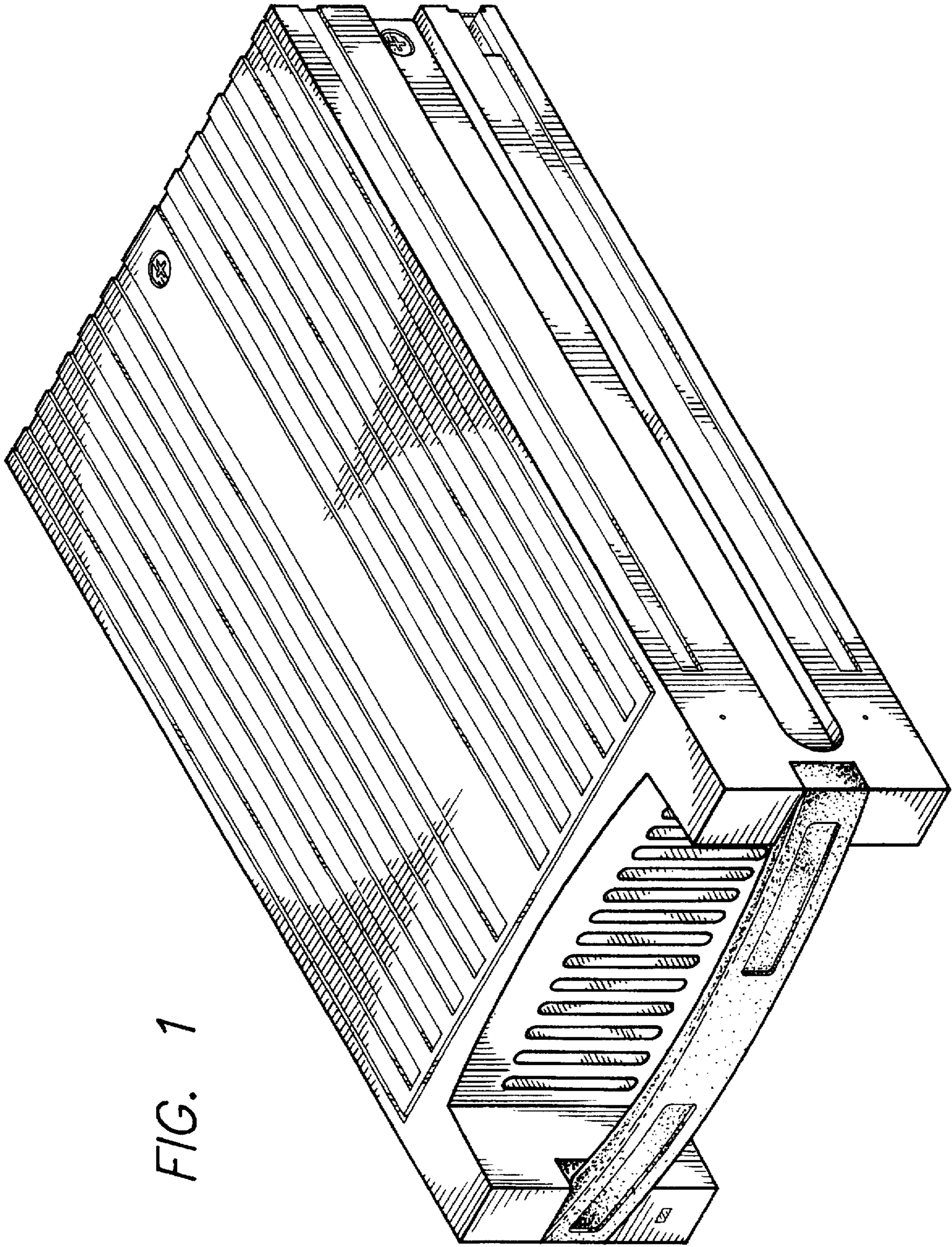


FIG. 1

FIG. 2

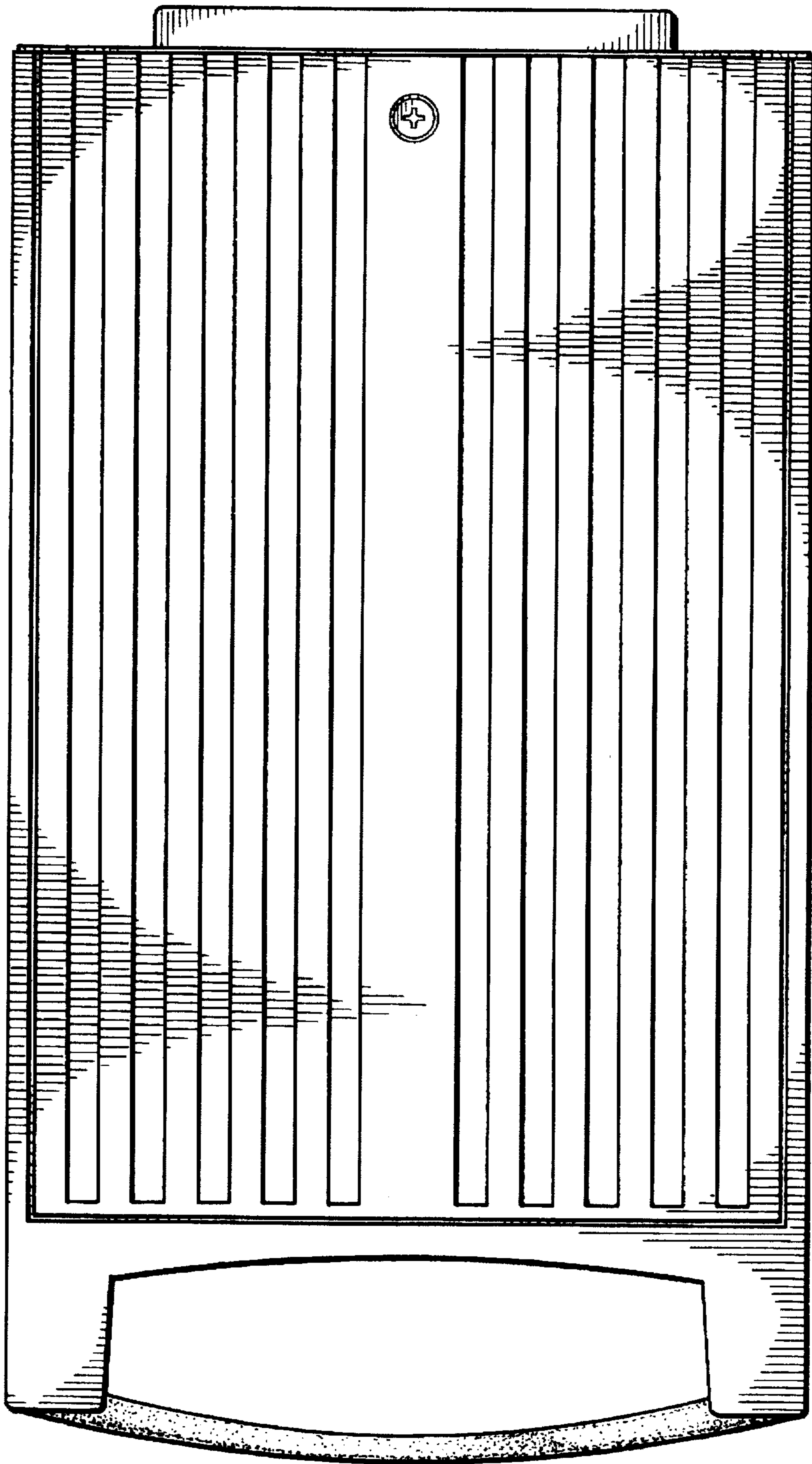


FIG. 3

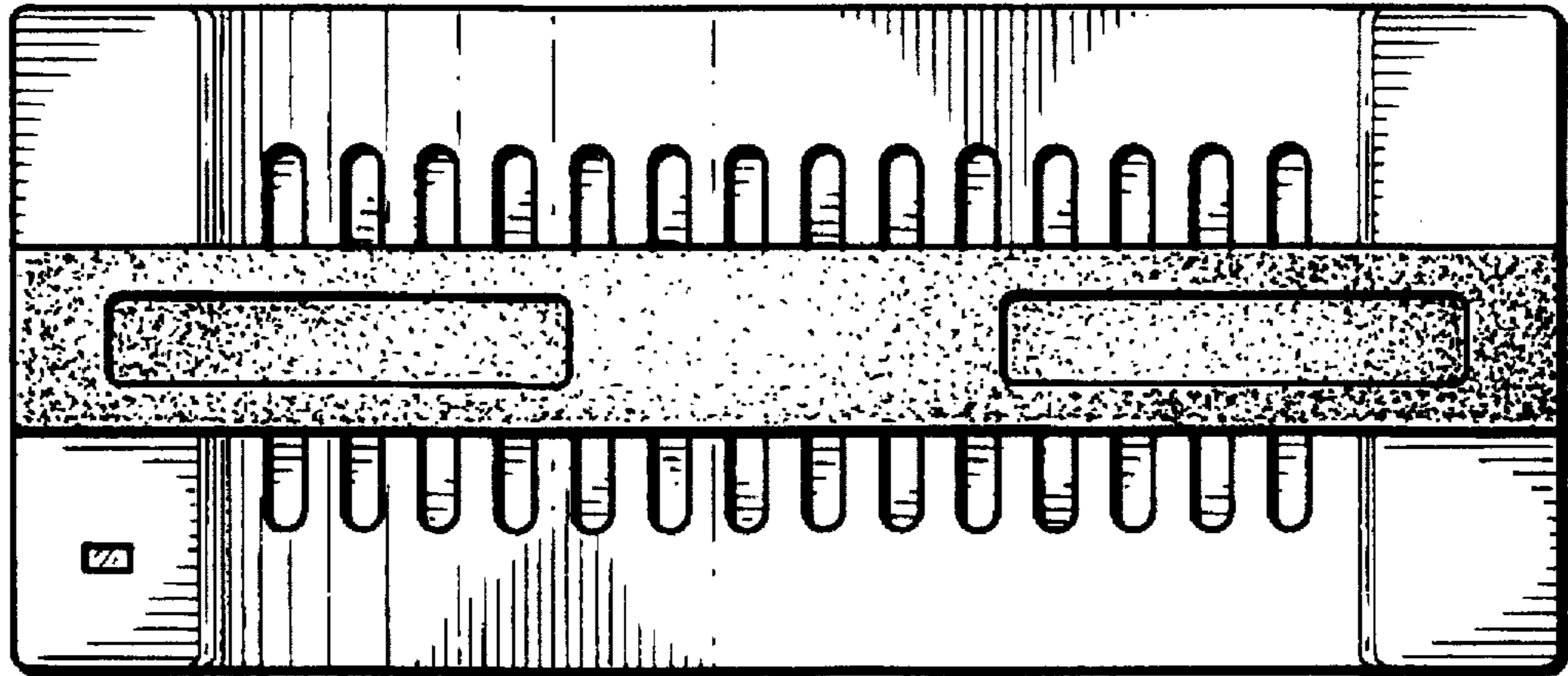


FIG. 4

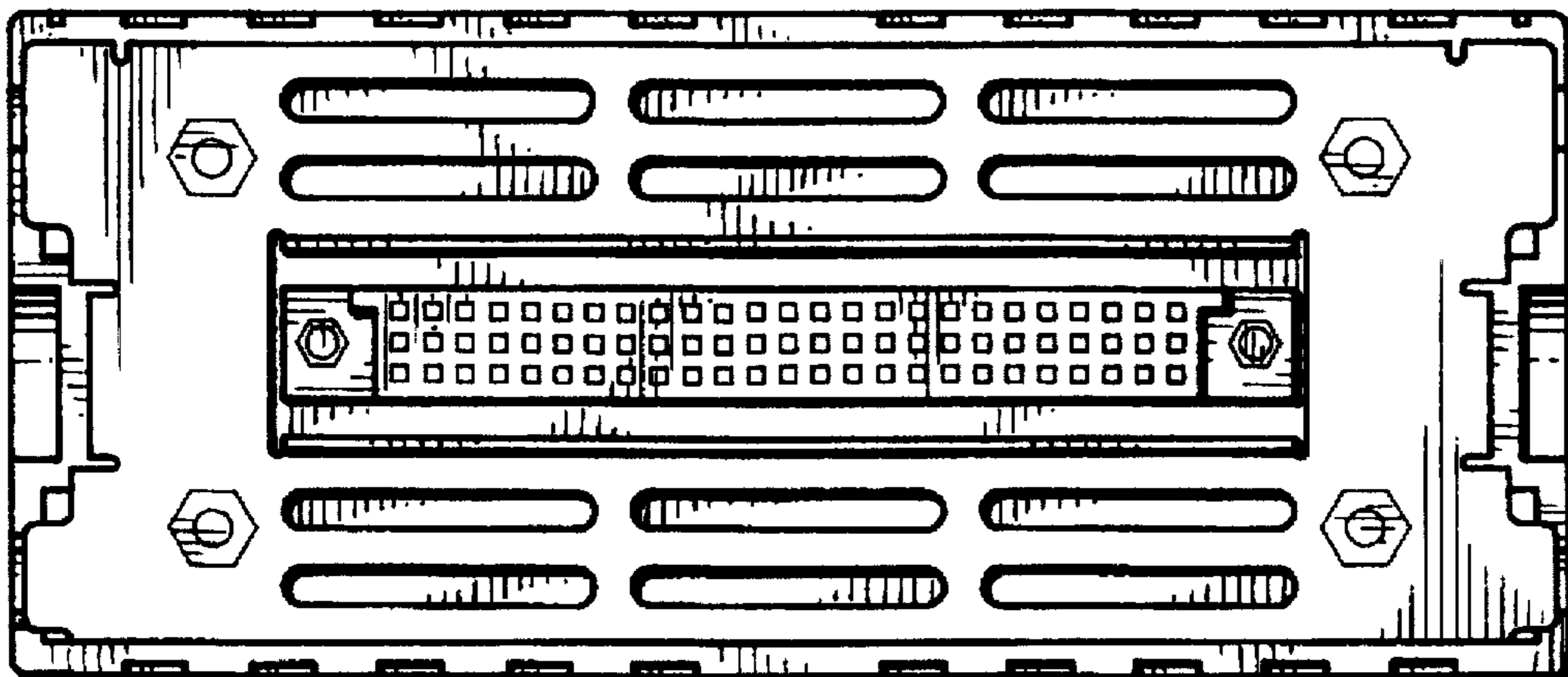
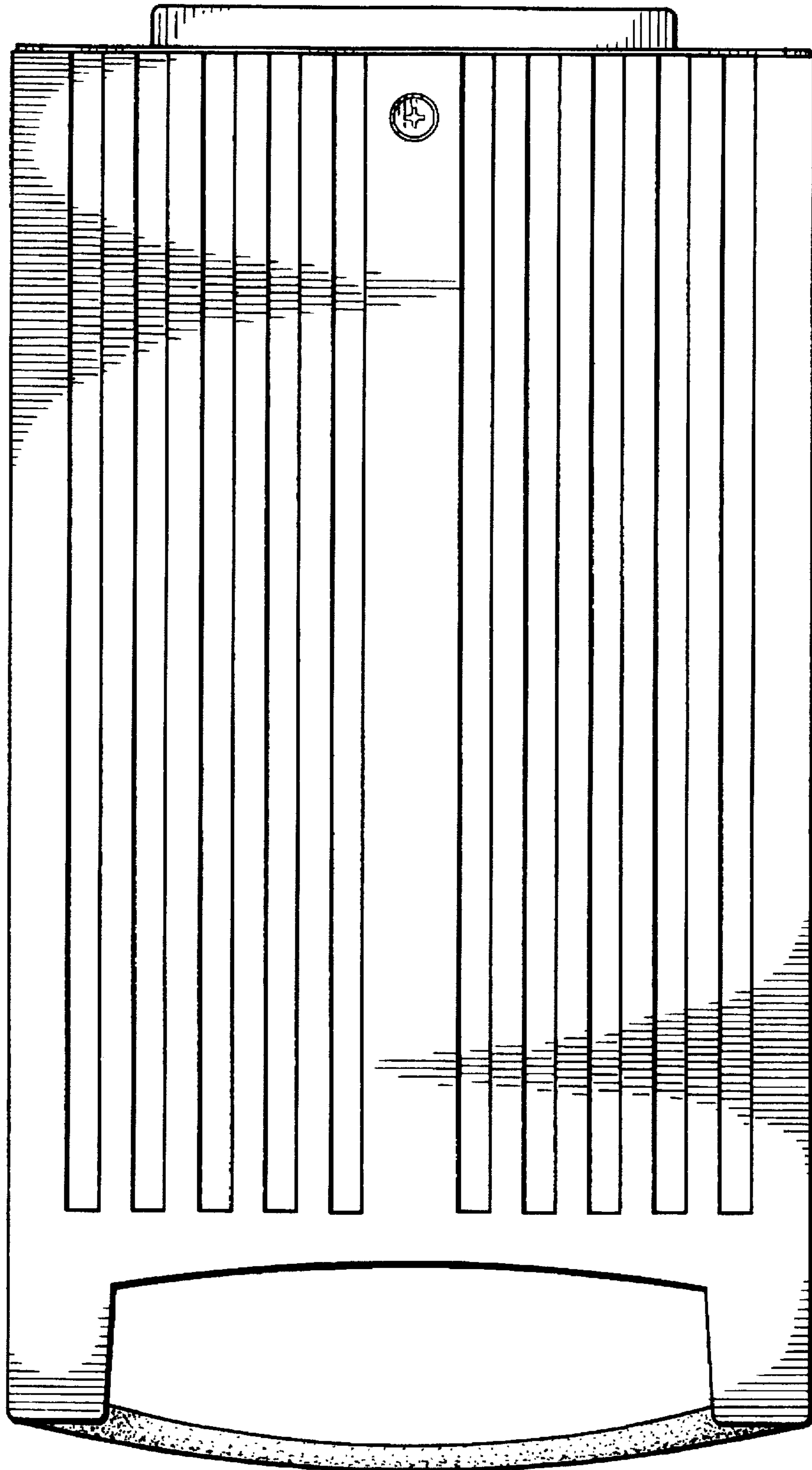


FIG. 5



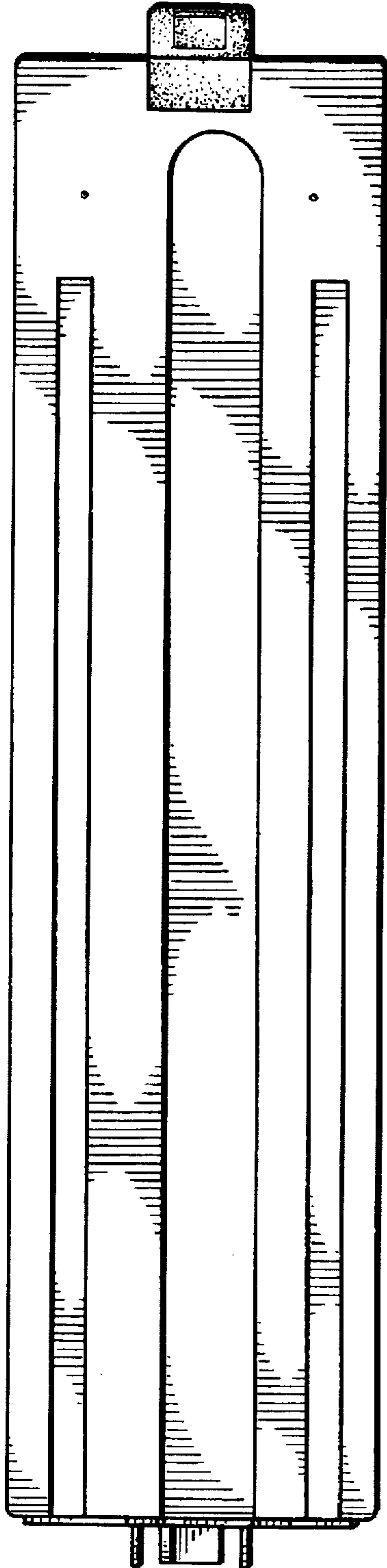


FIG. 6

FIG. 7

