



US00D383735S

United States Patent [19]

Privitera et al.

[11] Patent Number: **Des. 383,735**

[45] Date of Patent: ****Sep. 16, 1997**

[54] **SCANNING APPARATUS**

[75] Inventors: **David J. Privitera**, Georgetown; **Stacy L. Galbreath**, Brighton; **Mark A. Nichols**, Cambridge, all of Mass.

[73] Assignee: **Polaroid Corporation**, Cambridge, Mass.

[**] Term: **14 Years**

[21] Appl. No.: **53,263**

[22] Filed: **Apr. 18, 1996**

[51] LOC (6) Cl. **14-02**

[52] U.S. Cl. **D14/107**

[58] Field of Search D14/100, 105, D14/107; D18/36, 37, 39, 50, 54, 55; 250/556, 563; 382/312, 313, 318, 319, 321, 322, 325; 283/70, 74, 75; 235/379, 380, 454, 462, 470, 382; 355/64, 65, 75, 231, 233; 358/408, 472, 474, 497; D16/223, 232

[56] **References Cited**

U.S. PATENT DOCUMENTS

D. 304,934 12/1989 Koshino D14/107

D. 357,675 4/1995 Guber et al. D14/107
D. 361,063 8/1995 Stewart et al. D14/107
D. 365,807 1/1996 Chen D14/107

Primary Examiner—Freda Nunn
Attorney, Agent, or Firm—John S. Vale; Christopher P. Ricci

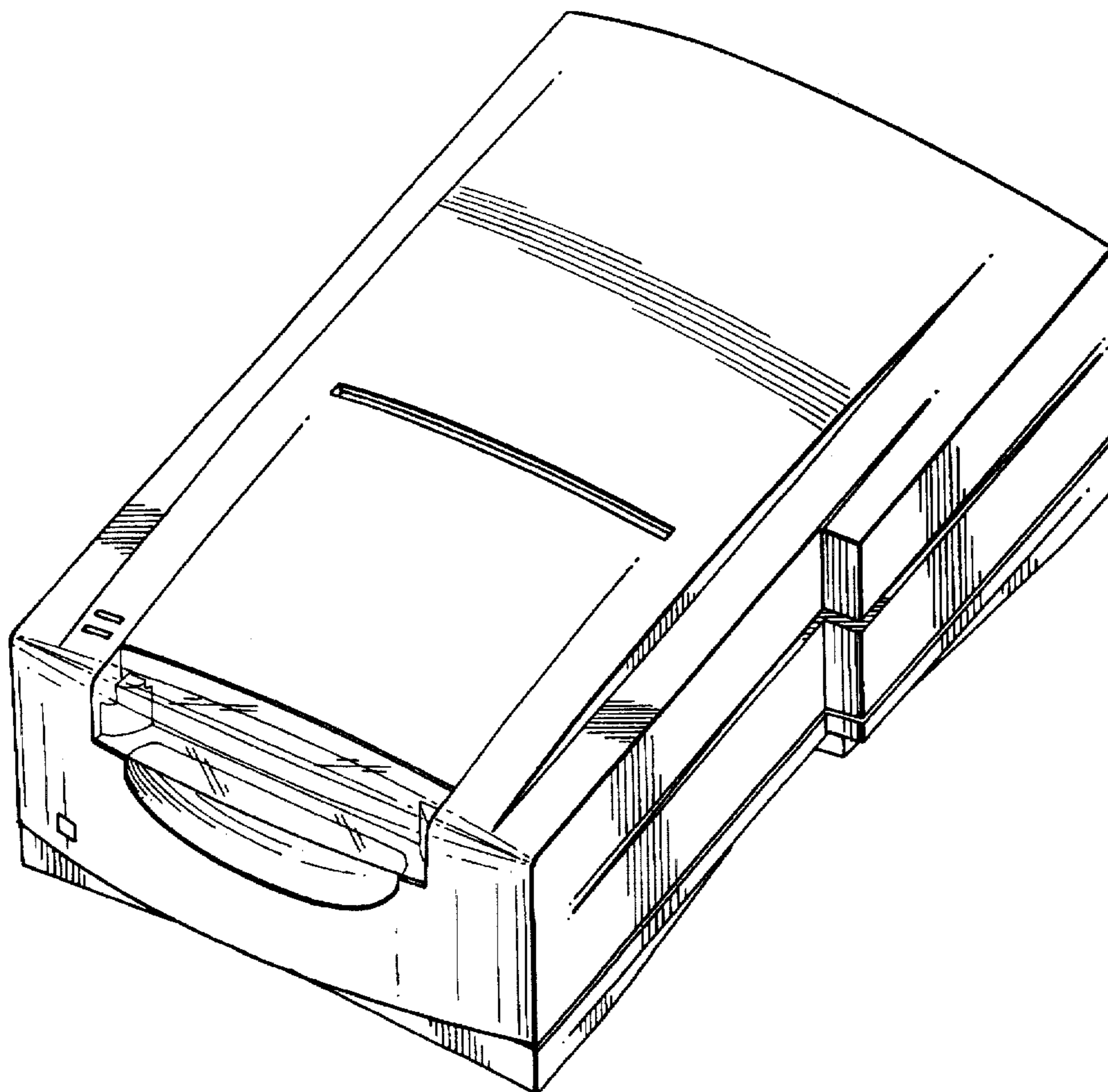
[57] CLAIM

The ornamental design for a scanning apparatus, as shown and described.

DESCRIPTION

FIG. 1 is a right front perspective view of a scanning apparatus showing my new ornamental design;
FIG. 2 is a top plan view thereof;
FIG. 3 is a bottom plan view thereof;
FIG. 4 is a right side elevational view thereof;
FIG. 5 is a left side elevational view thereof;
FIG. 6 is a front elevational view thereof; and,
FIG. 7 is a rear elevational view thereof.

1 Claim, 6 Drawing Sheets



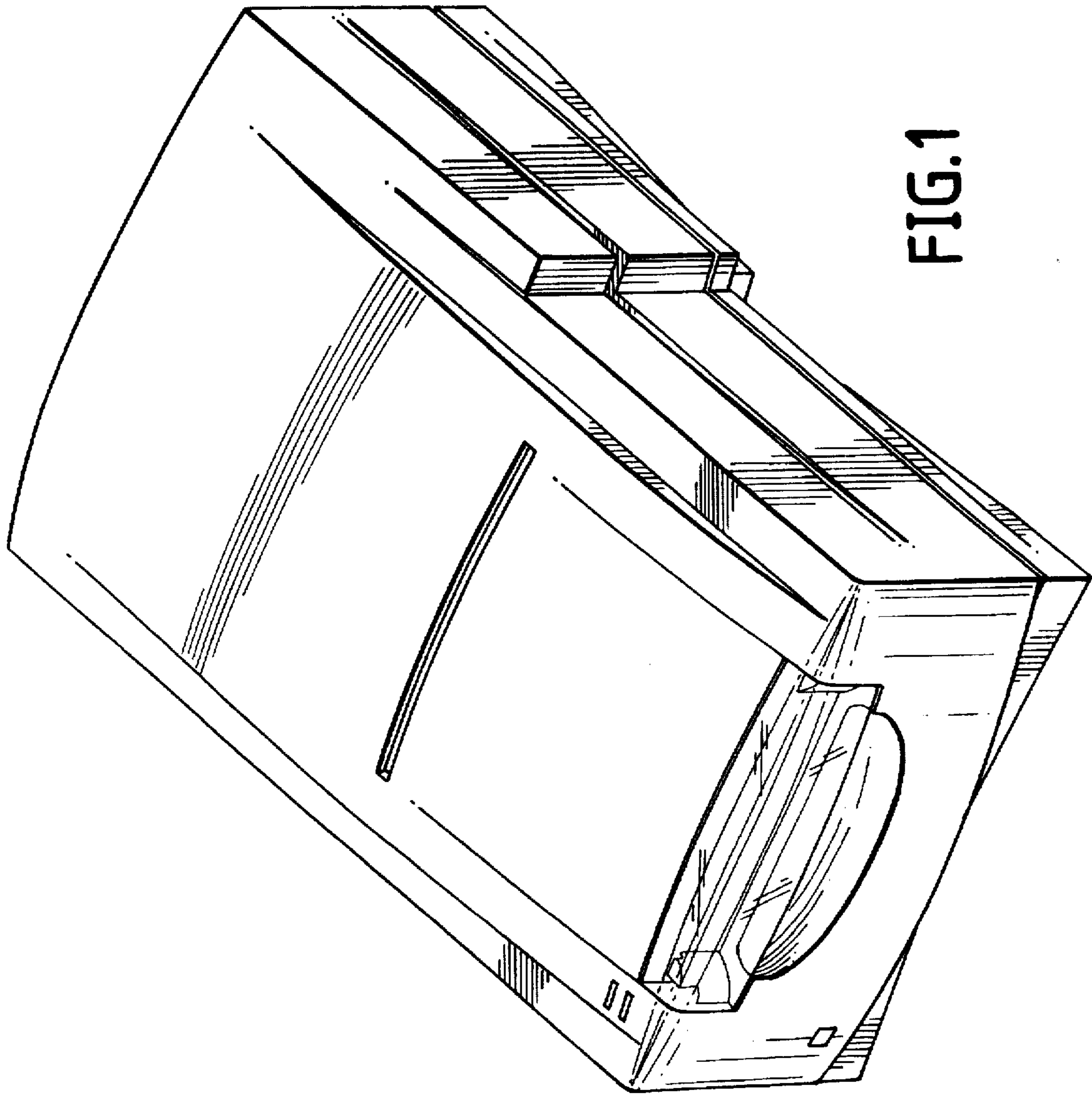


FIG.1

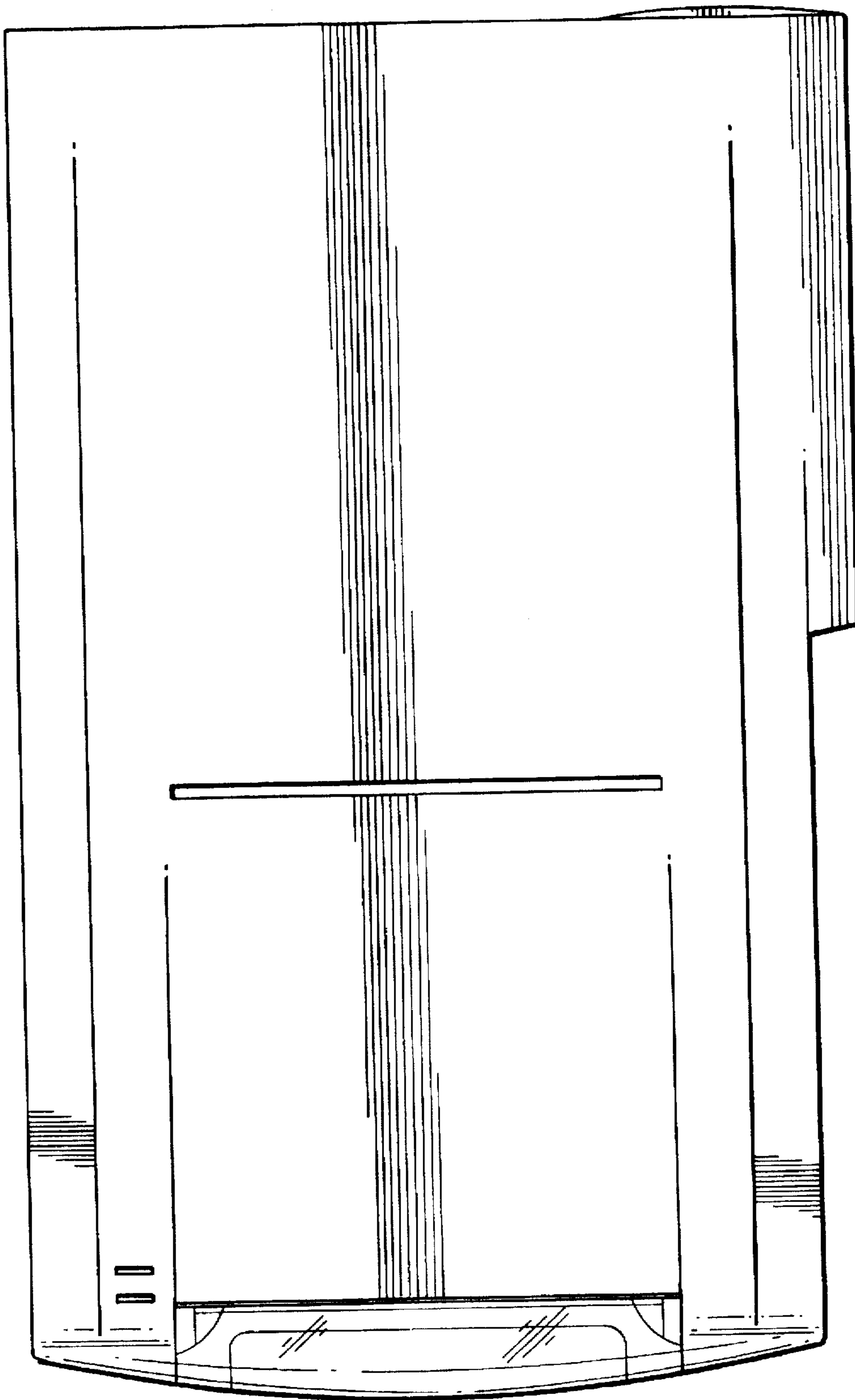


FIG. 2

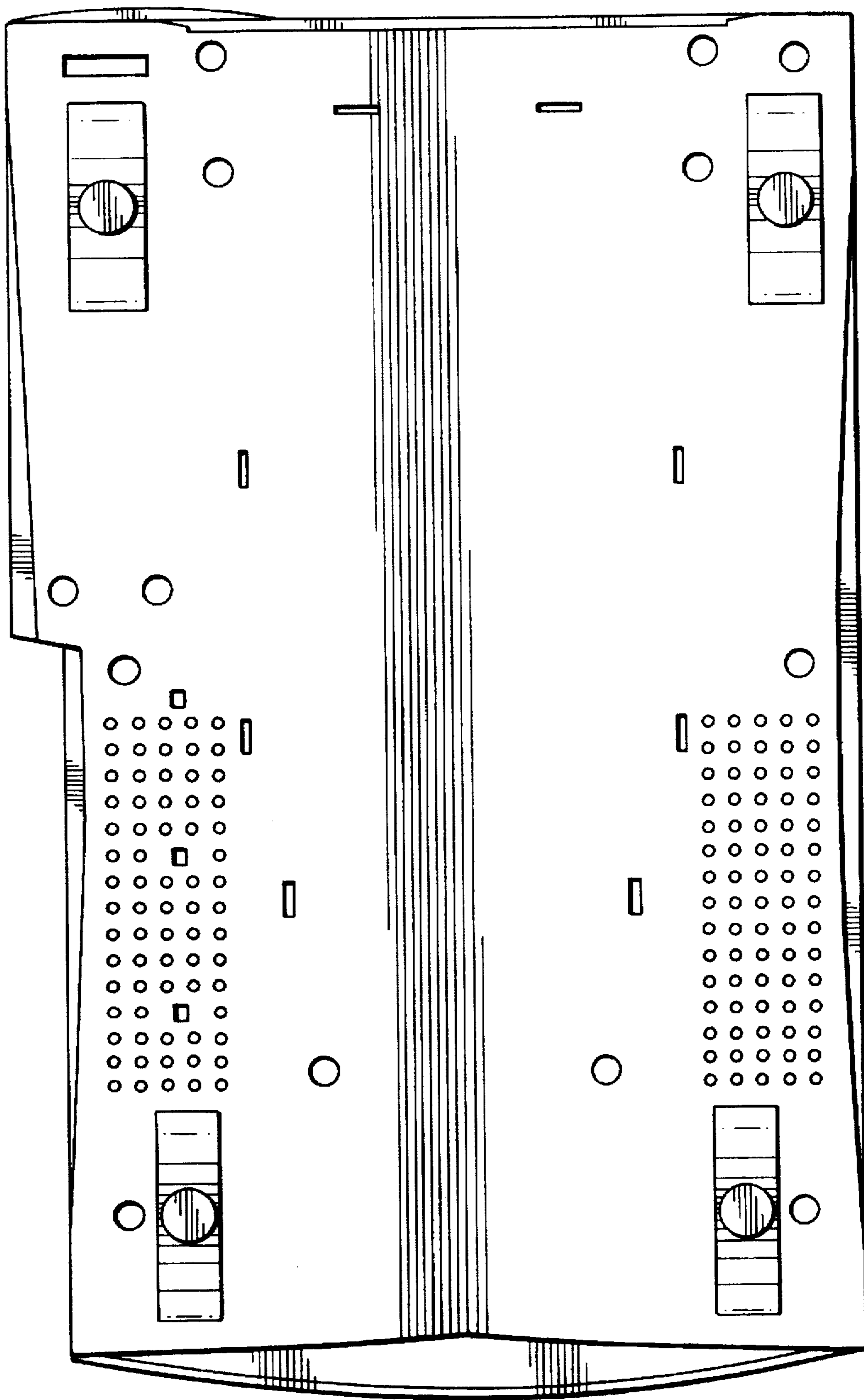


FIG. 3

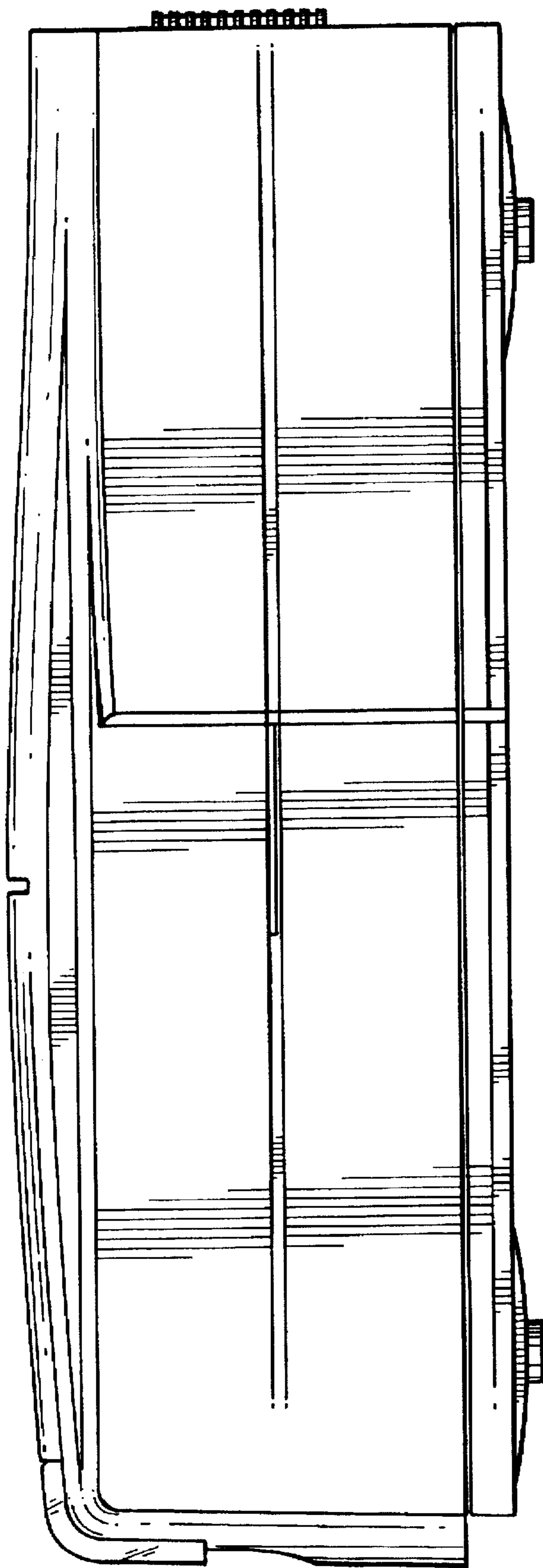
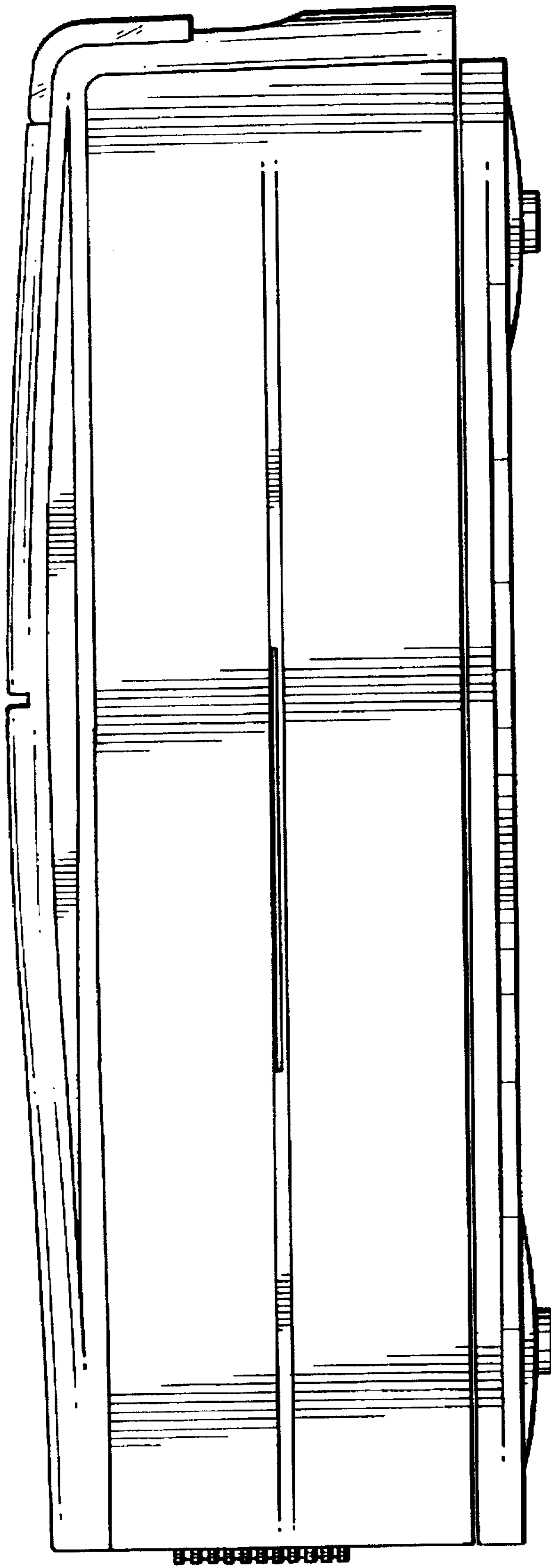


FIG. 4



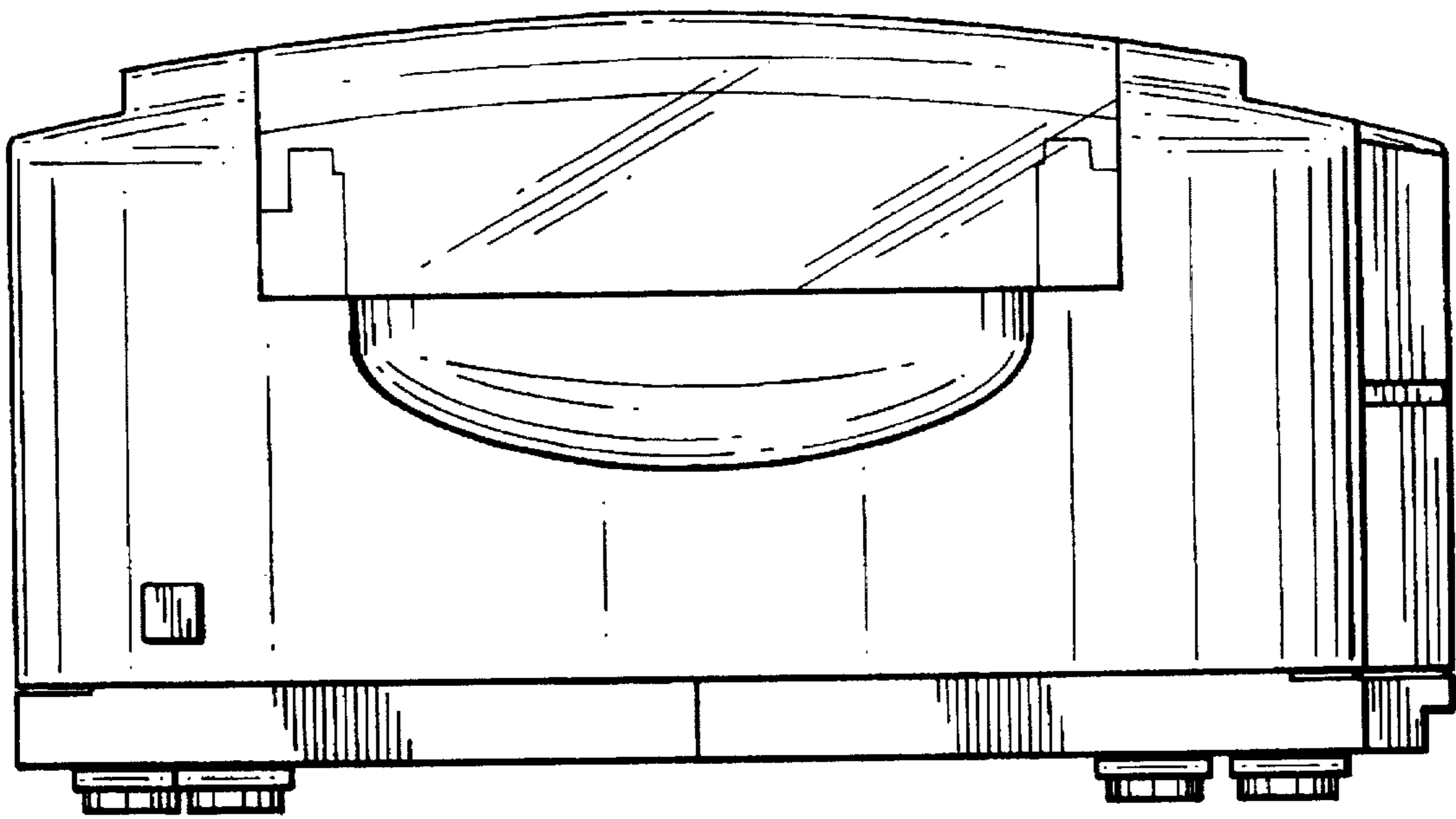


FIG. 6

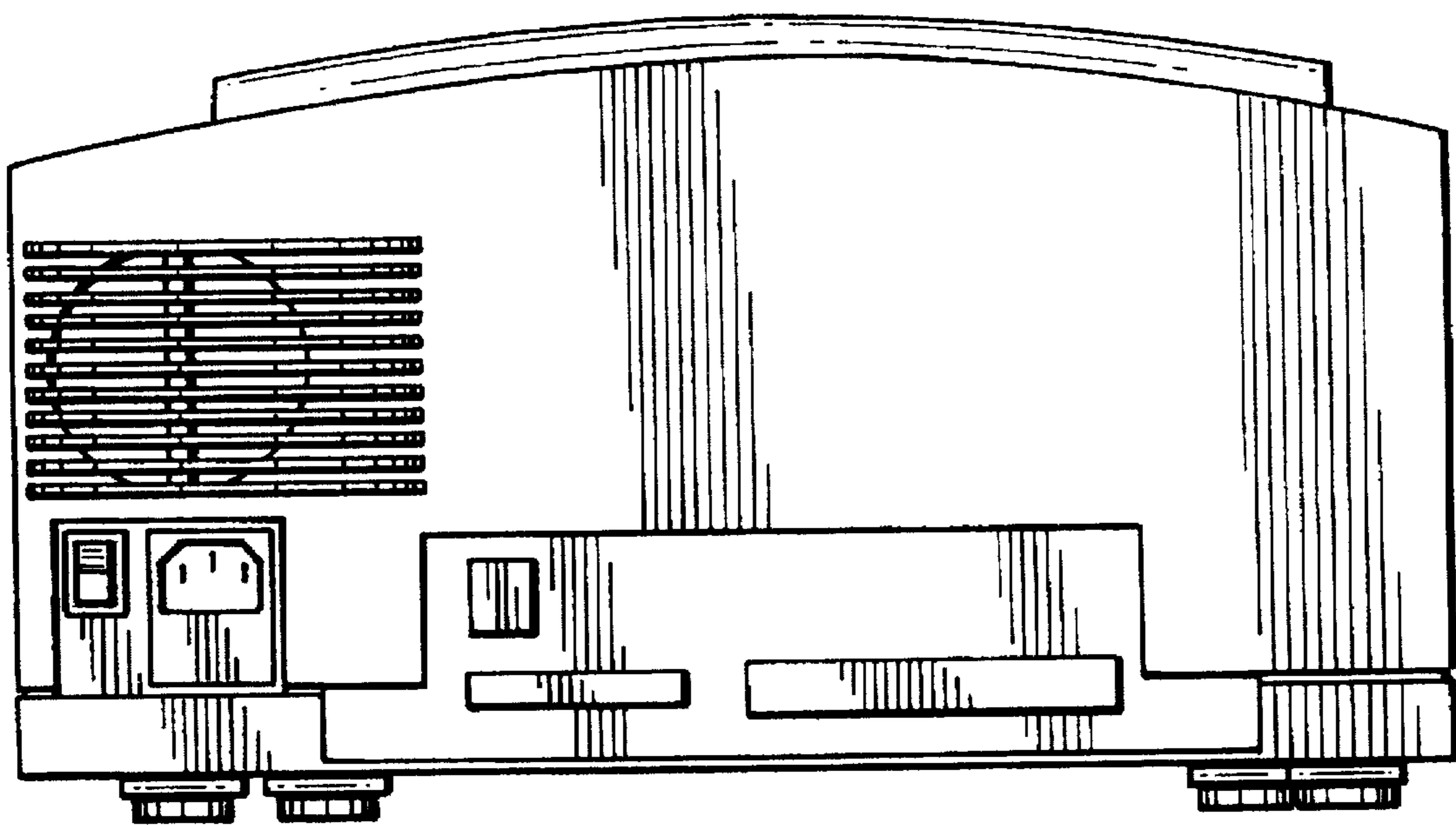


FIG. 7